



US00D433468S

United States Patent [19]
Rojas et al.

[11] **Patent Number: Des. 433,468**
[45] **Date of Patent: ** Nov. 7, 2000**

[54] **WEIGHTLIFTING BAR COLLAR**

5,078,392 1/1992 Kracht 482/107

[75] Inventors: **Michael D. Rojas**, Tustin; **Scott J. Frasco**, Huntington Beach, both of Calif.

OTHER PUBLICATIONS

Muscle and Fitness Magazine, p. 104, hexagonal locking collar for a weight bar, Mar. 1996.

[73] Assignee: **Iron Grip Barbell Company, Inc.**, Costa Mesa, Calif.

Primary Examiner—Philip S. Hyder
Attorney, Agent, or Firm—Darby & Darby

[**] Term: **14 Years**

[57] **CLAIM**

[21] Appl. No.: **29/114,454**

The ornamental design for a weightlifting bar collar, as shown and described.

[22] Filed: **Nov. 24, 1999**

DESCRIPTION

[51] **LOC (7) Cl.** **21-02**

FIG. 1 is a perspective view of a weightlifting bar collar showing our new design;

[52] **U.S. Cl.** **D21/680; D21/694**

FIG. 2 is a right side view of the weightlifting bar collar shown in FIG. 1;

[58] **Field of Search** D21/680, 681, D21/682, 683, 684, 662; 482/104, 105, 106, 107, 108, 109

FIG. 3 is a left side view of the weightlifting bar collar shown in FIG. 1;

[56] **References Cited**

U.S. PATENT DOCUMENTS

4,482,151	11/1984	Zwilling	482/107
4,579,337	4/1986	Uyeda	482/107
4,585,367	4/1986	Gall	482/107
4,738,446	4/1988	Miles	482/107
5,062,631	11/1991	Dau et al.	482/107

FIG. 4 is a front view of a weightlifting bar collar shown in FIG. 1, the rear view being a mirror image thereof; and, FIG. 5 is a top view of a weightlifting bar collar, the bottom view being a mirror image thereof.

The broken line portions of the drawings are for illustrative purposes only and form no part of the claimed design.

1 Claim, 2 Drawing Sheets

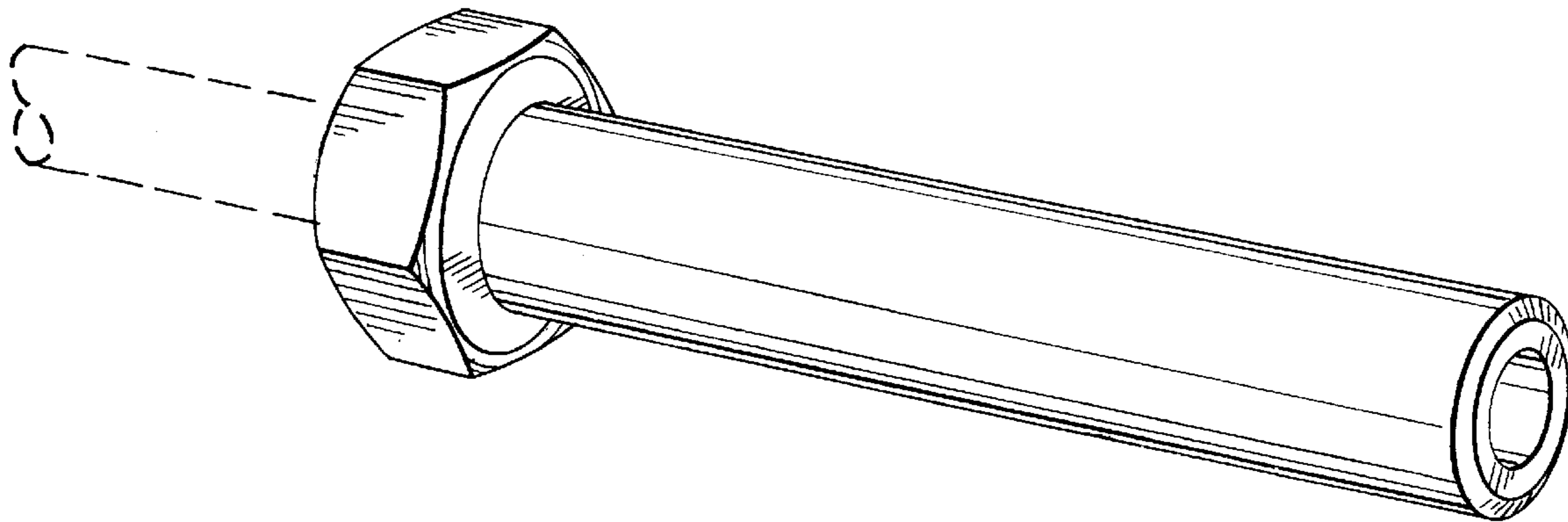


FIG. 1

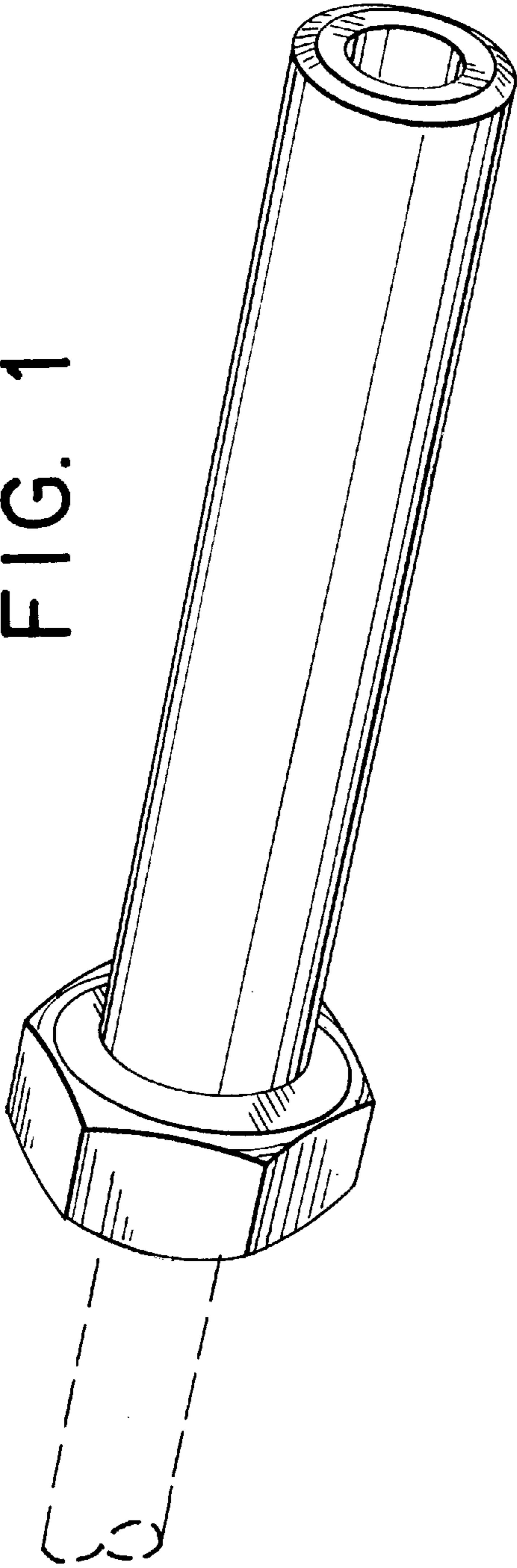


FIG. 3

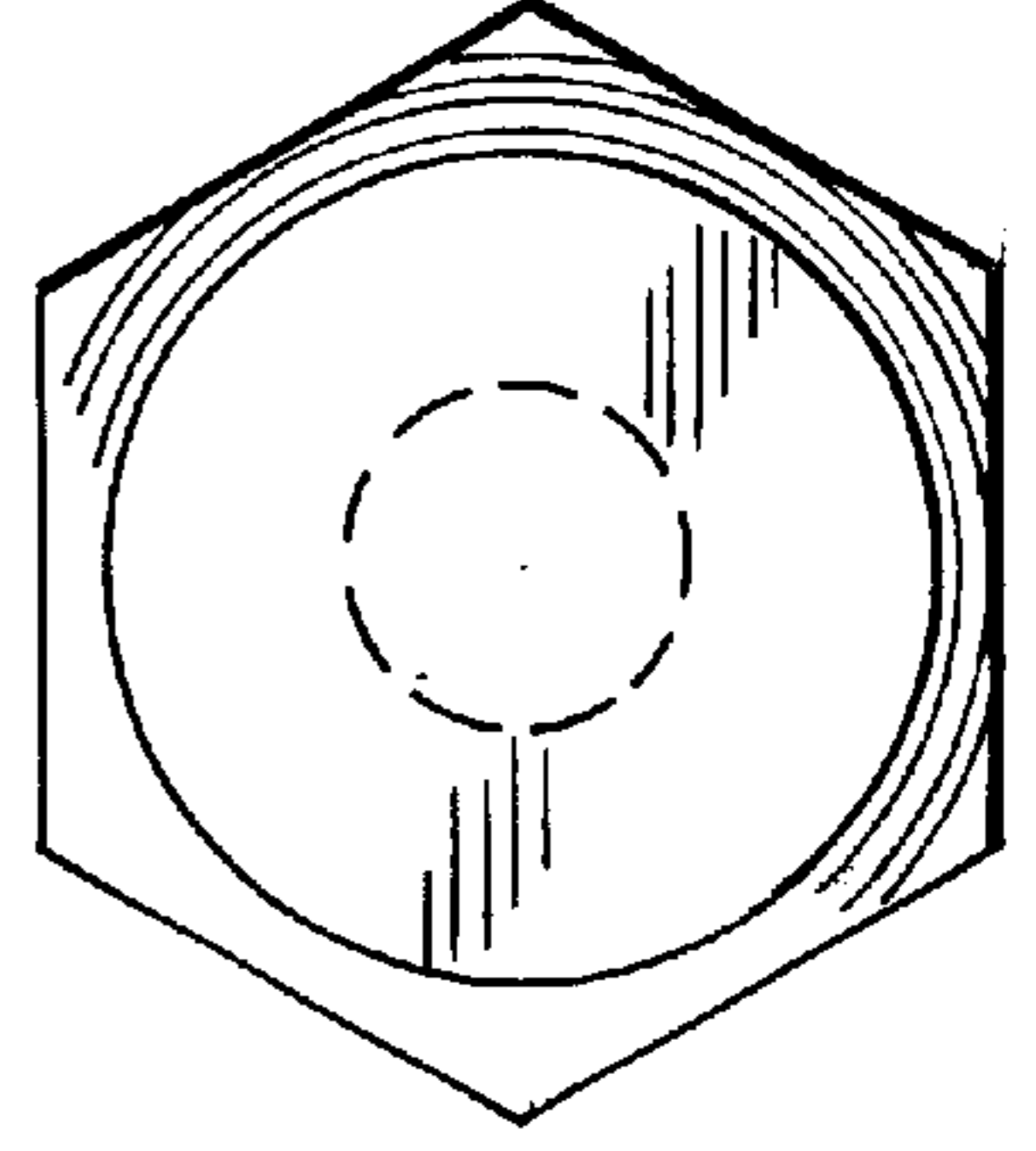


FIG. 2

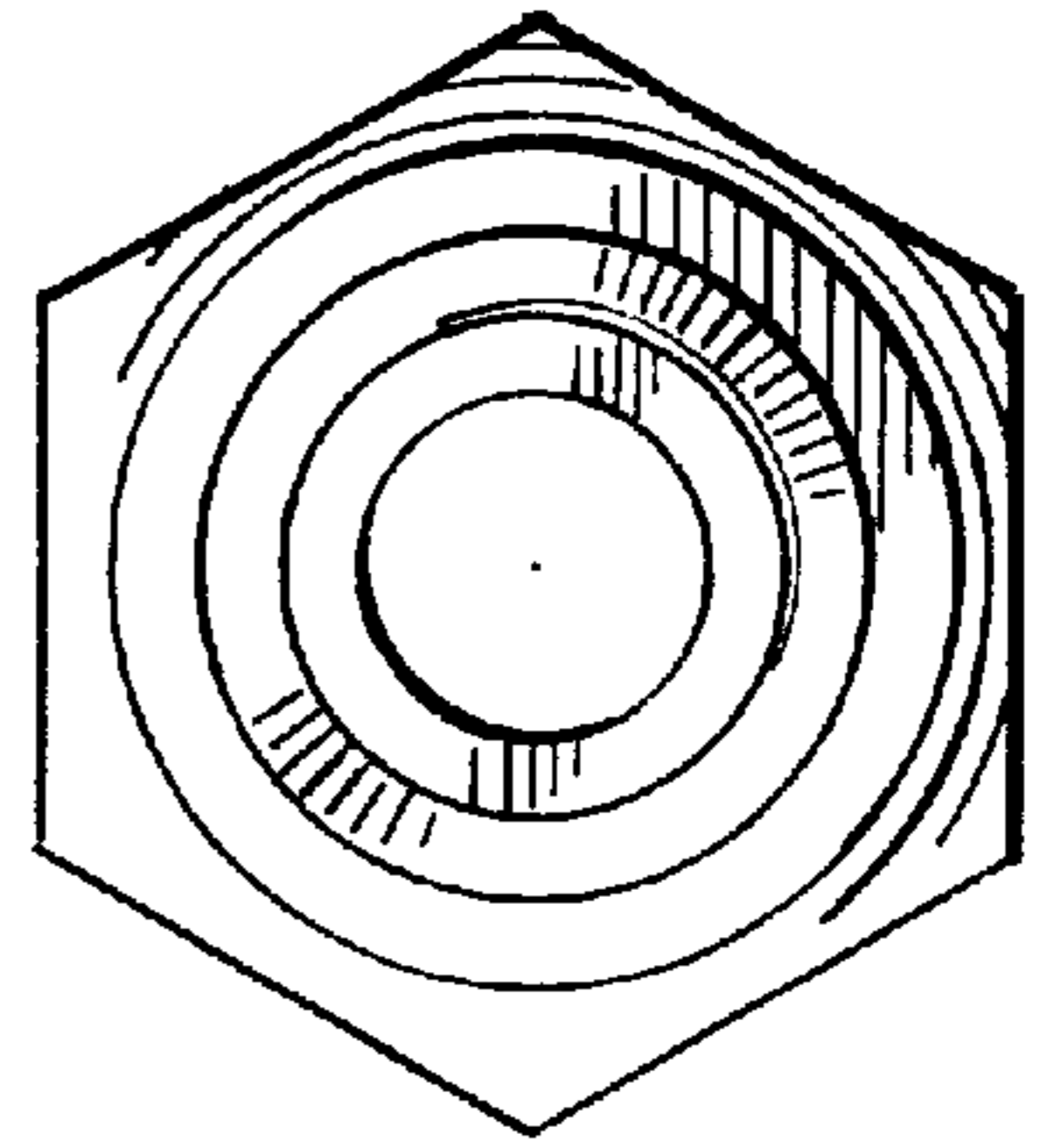


FIG. 4

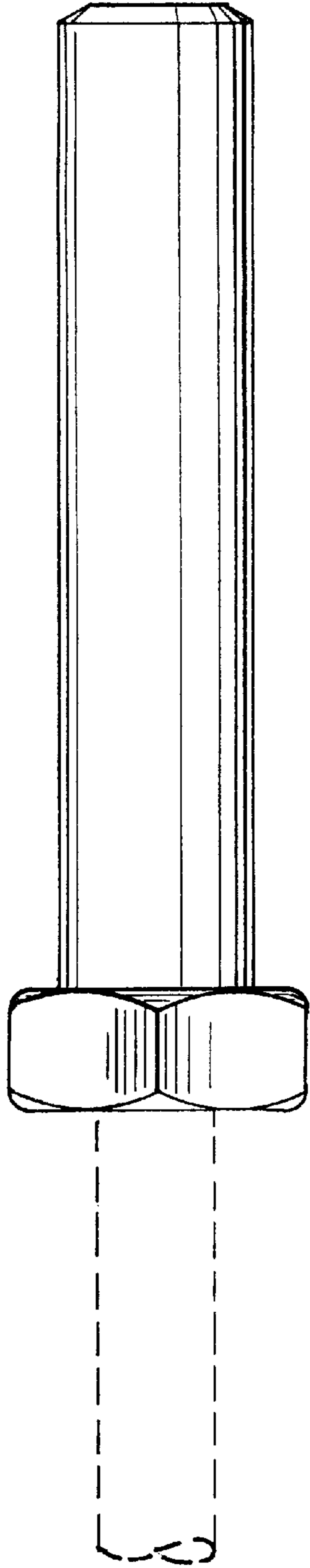


FIG. 5

