



US00D433466S

United States Patent [19]
Tsai

[11] **Patent Number: Des. 433,466**

[45] **Date of Patent: ** Nov. 7, 2000**

[54] **TOY CAR**

5,002,515 3/1991 Aoyagi 446/470

[76] Inventor: **Wen-Ho Tsai**, 8F, No. 113, Yu-Jen Rd.,
Pei-Tou Dist., Taipei, Taiwan

OTHER PUBLICATIONS

Hong Kong Toys Feb. 1997, p. 99.

[**] Term: **14 Years**

Primary Examiner—Raphael Barkai
Attorney, Agent, or Firm—Dougherty & Troxell

[21] Appl. No.: **29/120,316**

[22] Filed: **Mar. 17, 2000**

[57] **CLAIM**

The ornamental design for toy car, shown and described.

[51] **LOC (7) Cl.** **21-01**

[52] **U.S. Cl.** **D21/548**

[58] **Field of Search** D21/424, 427,
D21/428, 433, 548, 549; 446/444-449,
454-457, 465, 470

DESCRIPTION

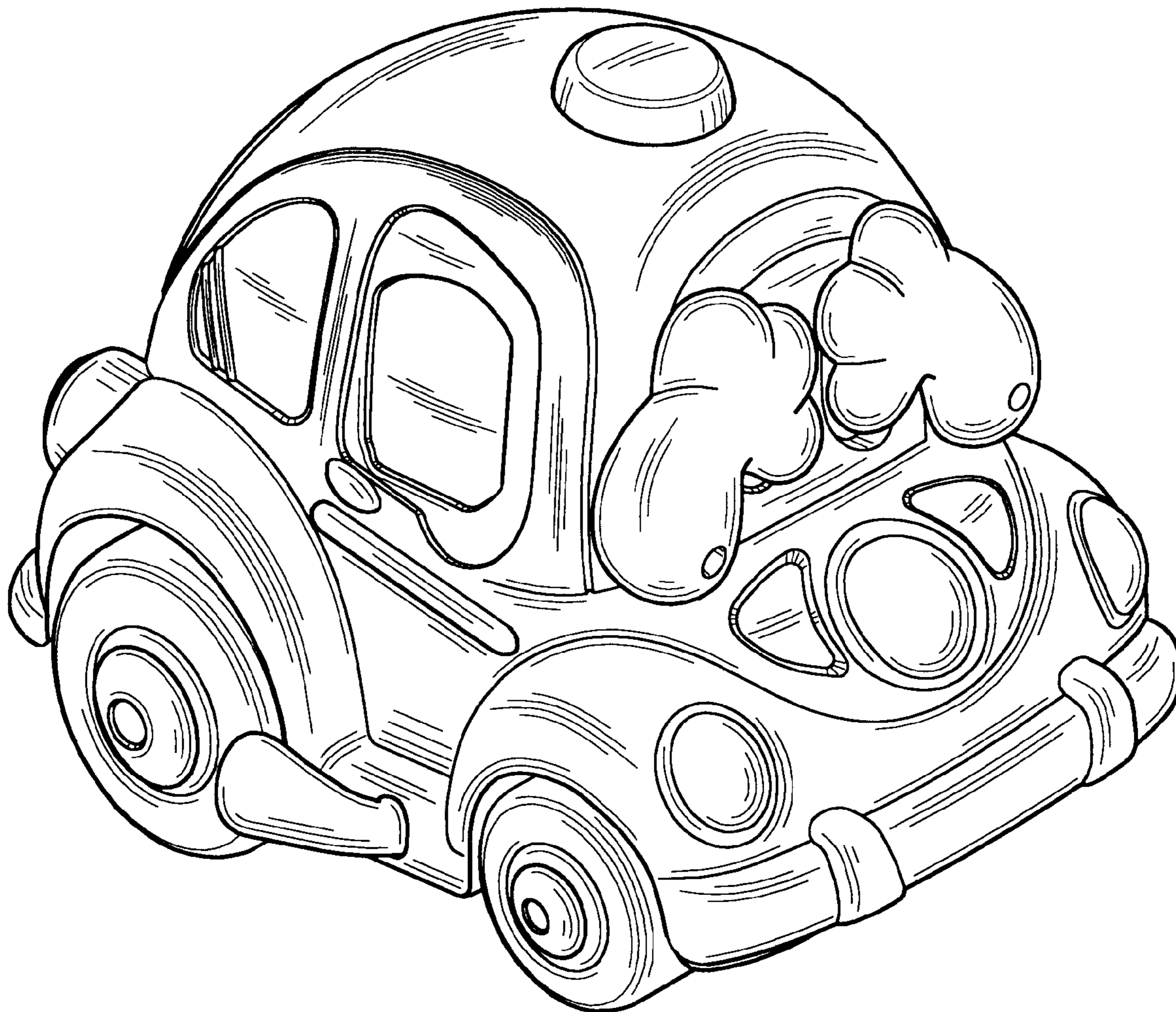
FIG. 1 is a perspective view showing our new design for toy car;
FIG. 2 is a front elevational view thereof;
FIG. 3 is a rear elevational view thereof;
FIG. 4 is a left side elevational view thereof;
FIG. 5 is a right side elevational view thereof;
FIG. 6 is a top view thereof;
FIG. 7 is a bottom view thereof; and,
FIG. 8 is a perspective view in application for reference thereof.

[56] **References Cited**

U.S. PATENT DOCUMENTS

D. 221,094	7/1971	Greewood	D21/548
D. 232,029	7/1974	Glass	D21/548
D. 282,476	2/1986	Arigaya	D21/548
D. 296,224	6/1988	Nakao et al.	D21/548
D. 345,189	3/1994	Smith	D21/548

1 Claim, 5 Drawing Sheets



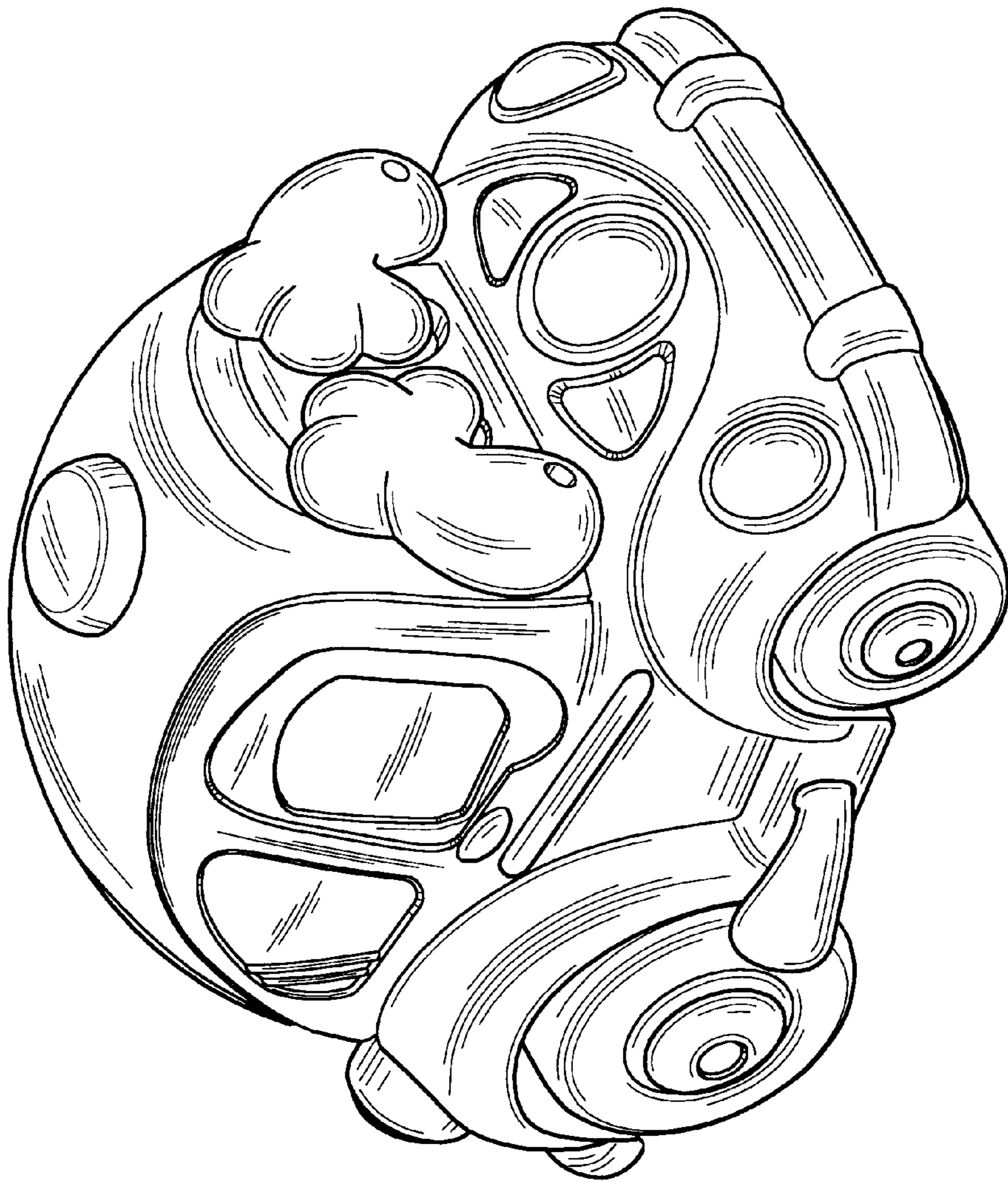


FIG. 1

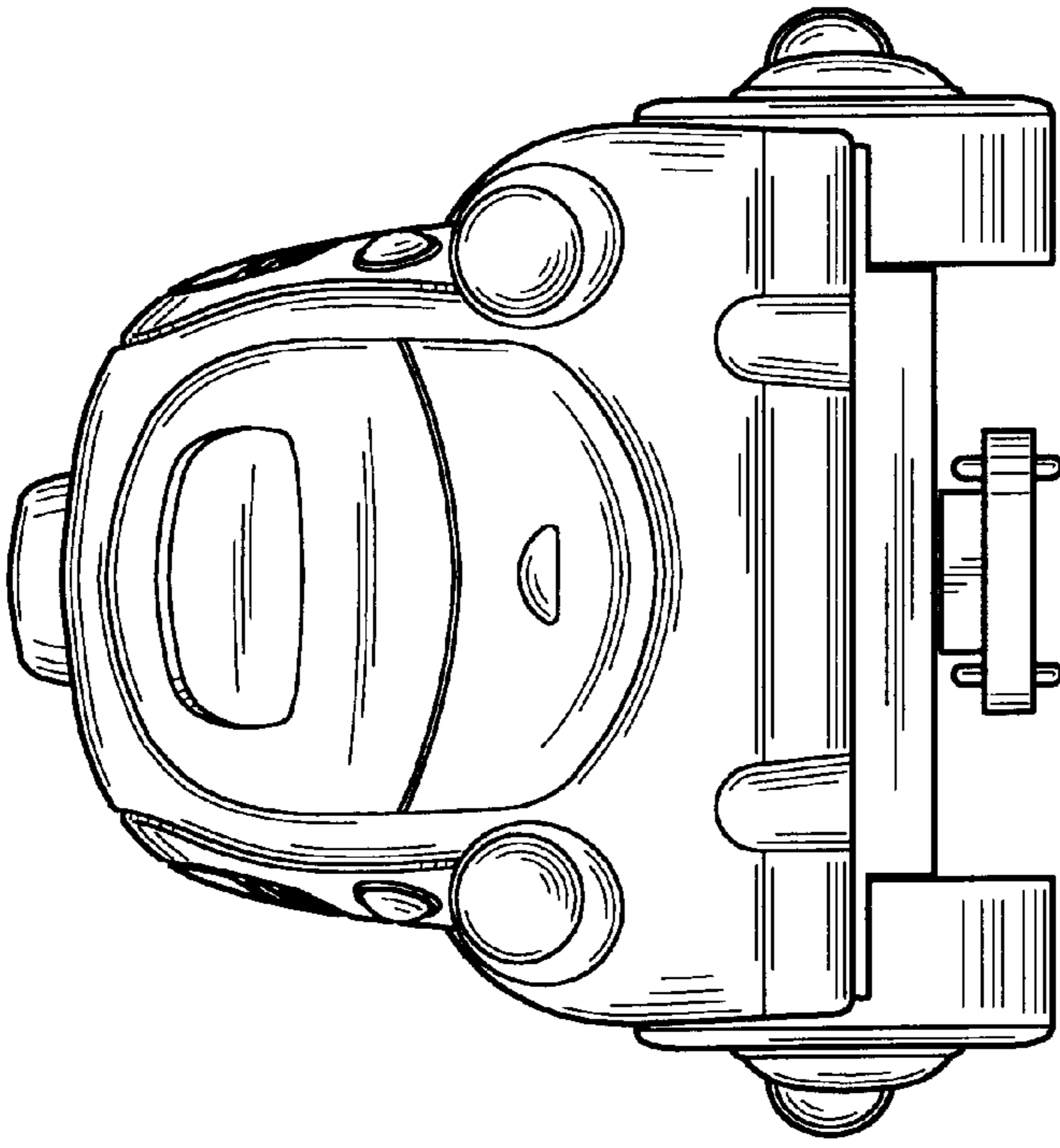


FIG. 3

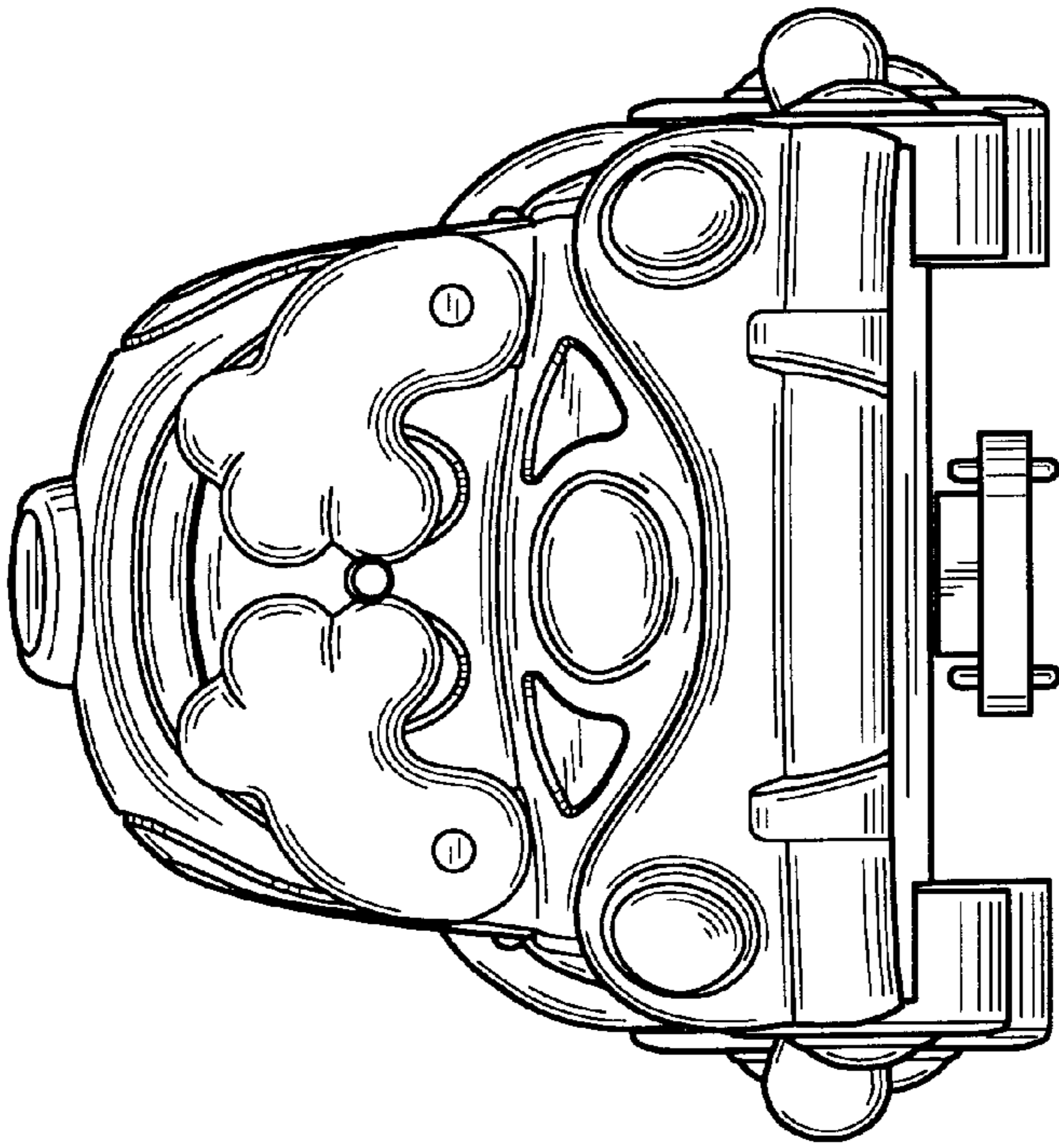


FIG. 2

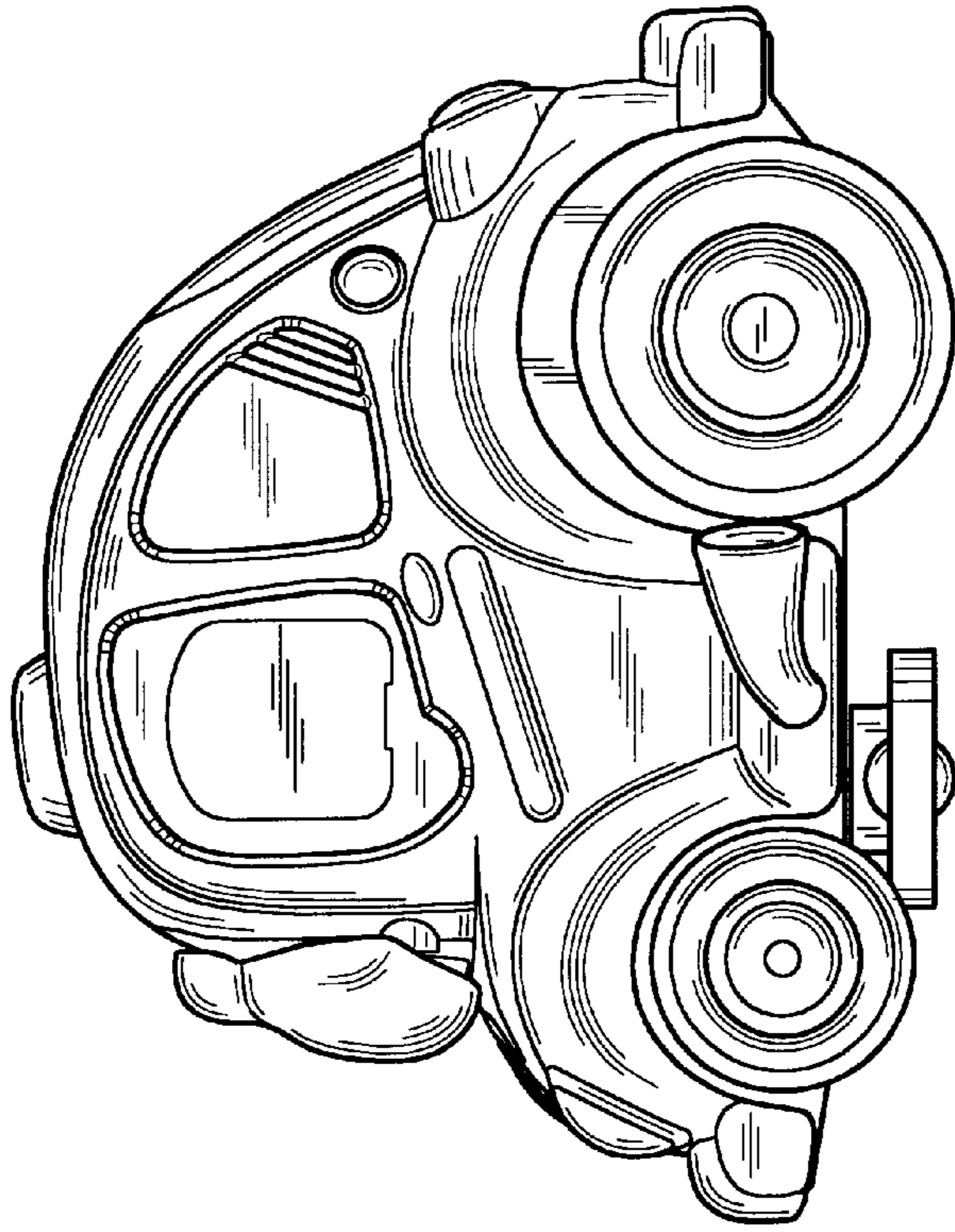


FIG. 5

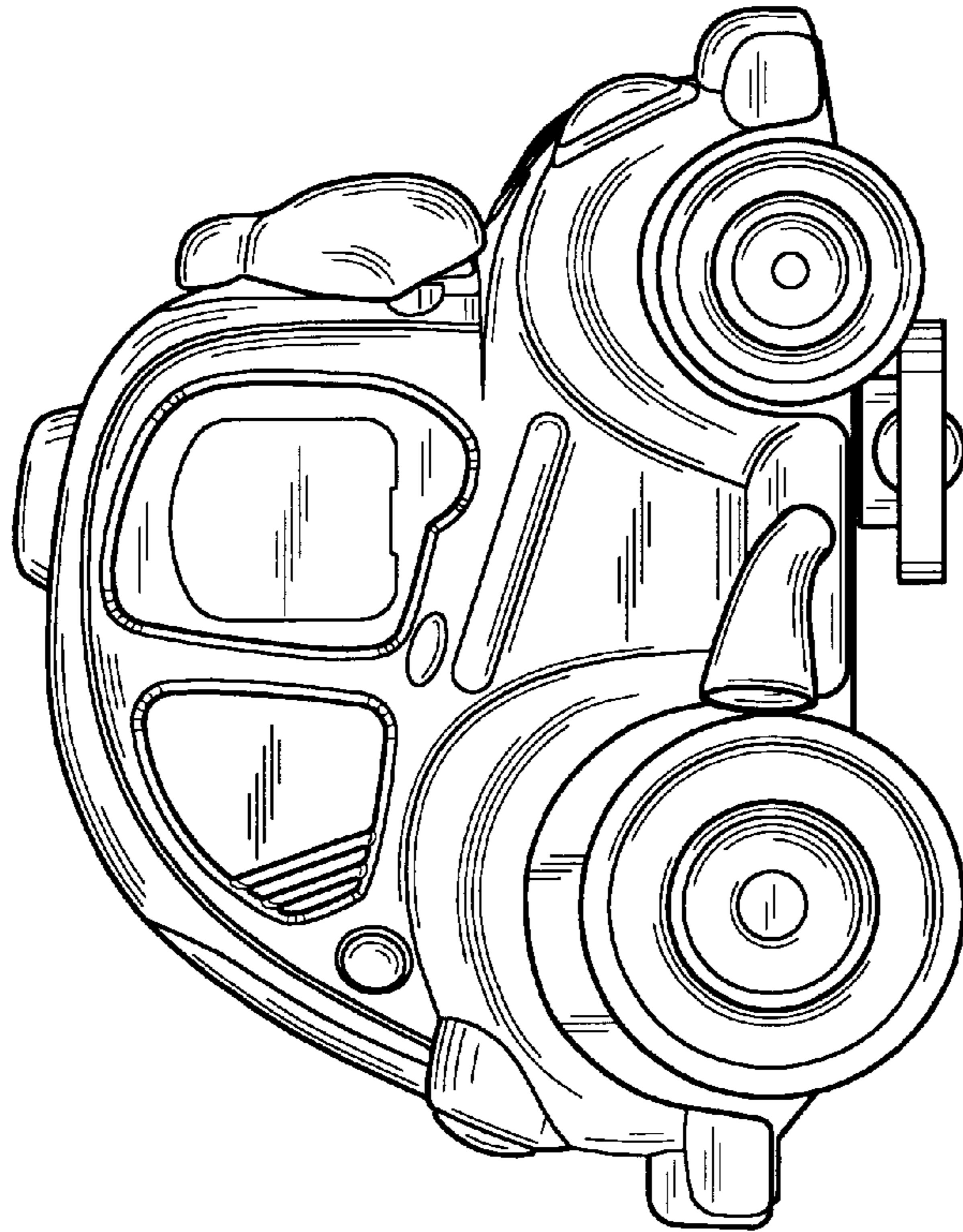


FIG. 4

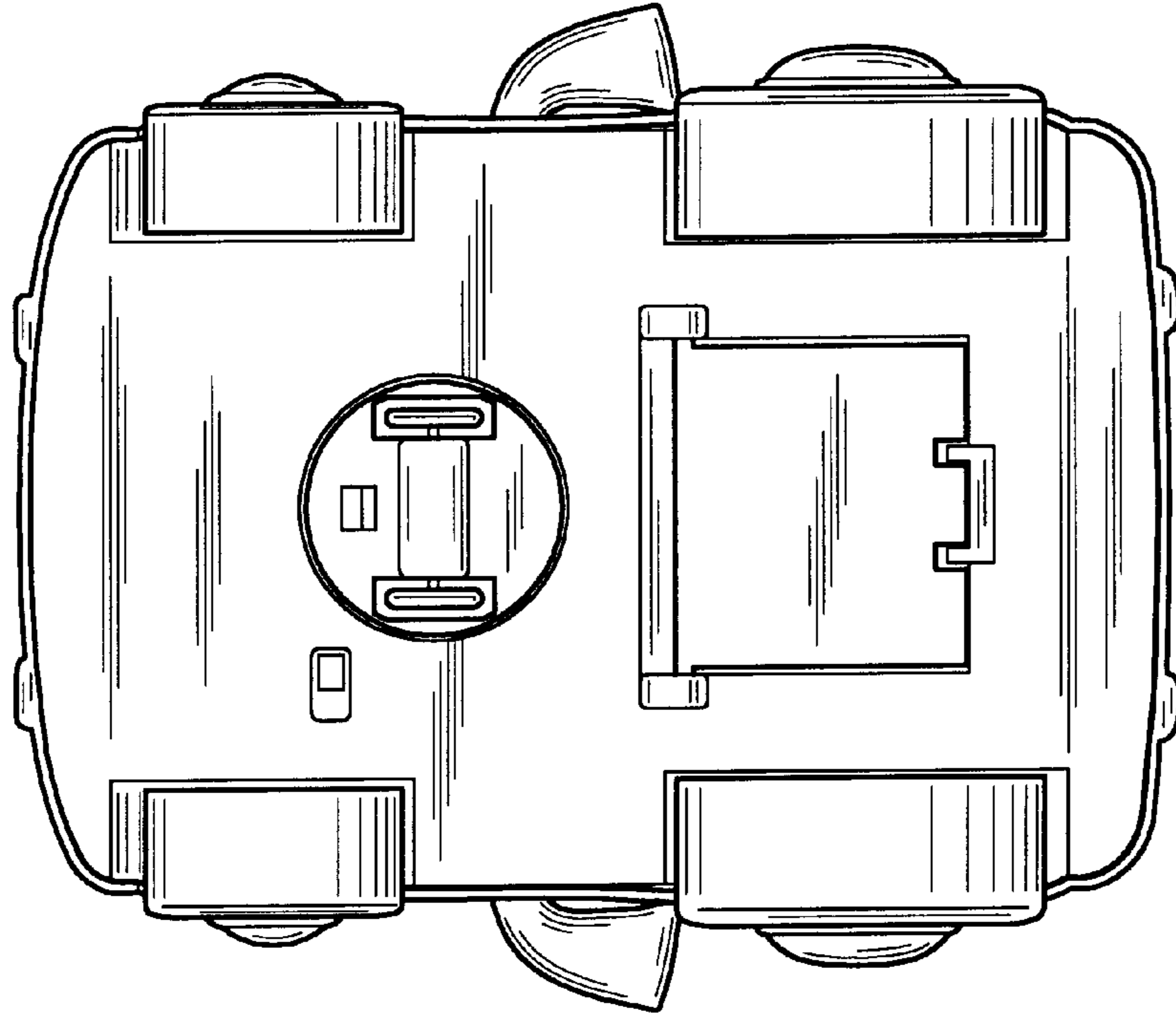


FIG. 7

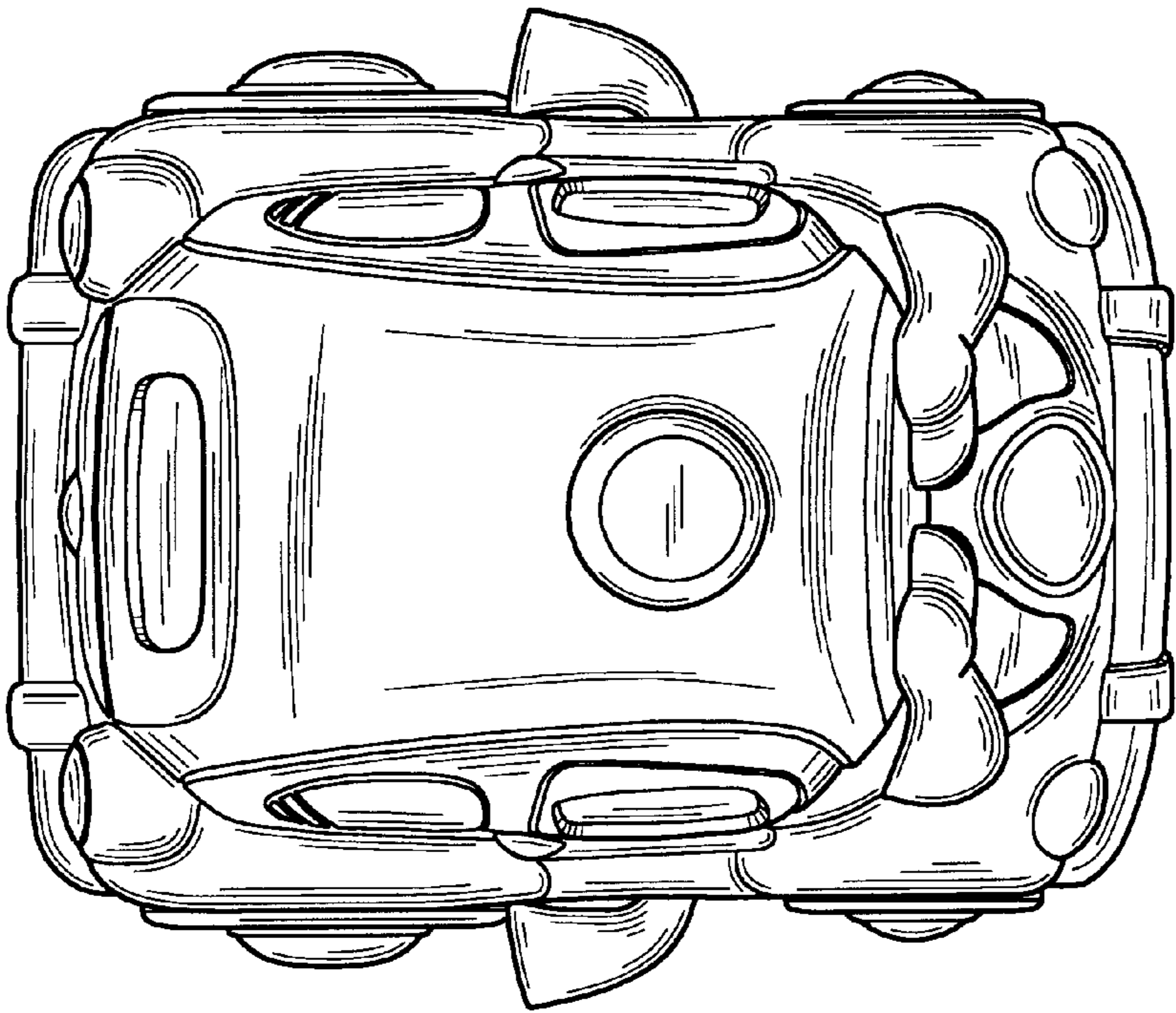


FIG. 6

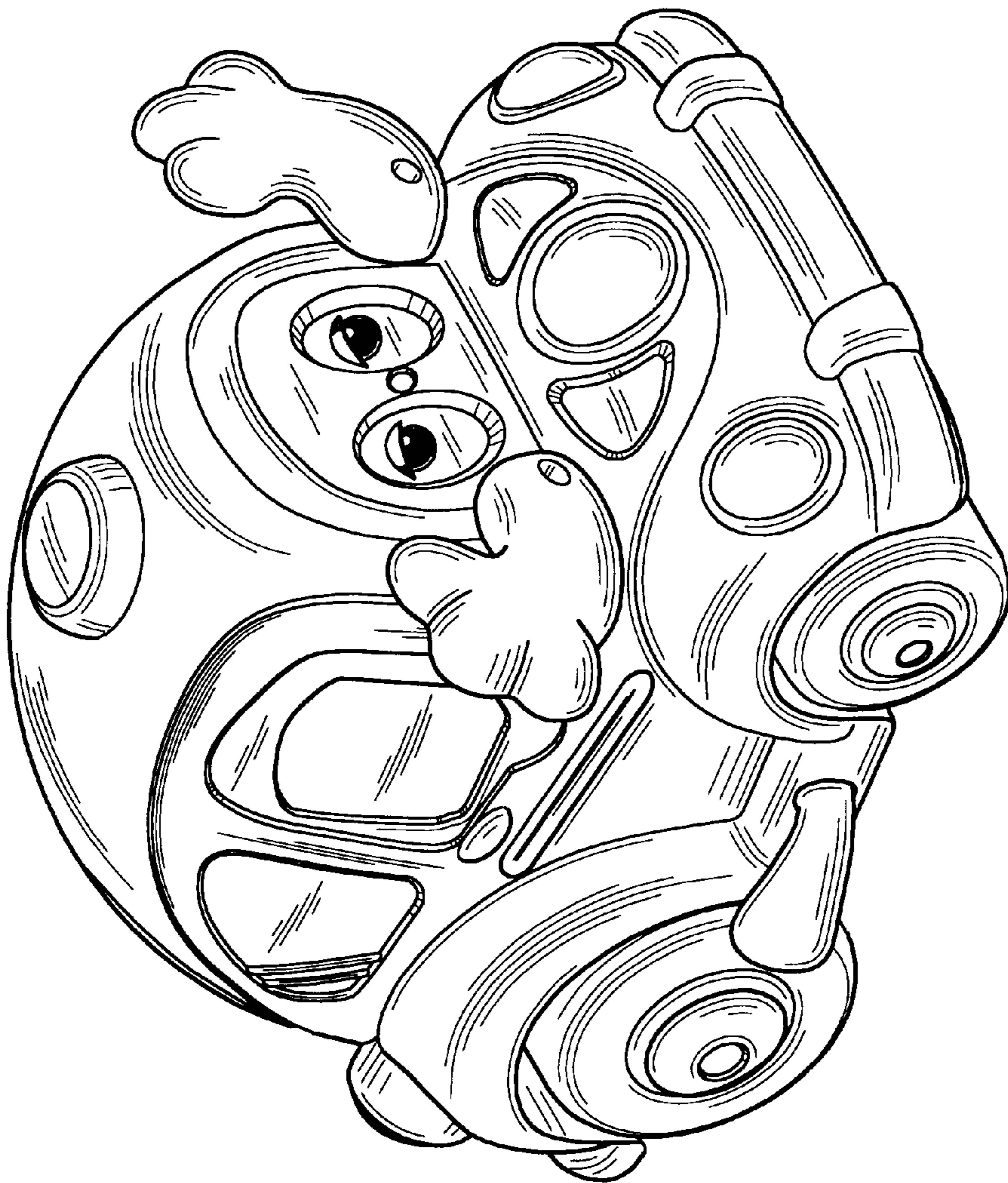


FIG. 8