



US00D433463S

# United States Patent [19]

Dalbo

[11] Patent Number: **Des. 433,463**

[45] Date of Patent: **\*\* Nov. 7, 2000**

[54] **BINGO CARD HOLDER**

[75] Inventor: **Emil J. Dalbo**, Tucker, Ga.

[73] Assignee: **Dal-Craft, Inc.**, Tucker, Ga.

[\*\*] Term: **14 Years**

[21] Appl. No.: **29/111,820**

[22] Filed: **Oct. 4, 1999**

[51] **LOC (7) Cl.** ..... **21-01**

[52] **U.S. Cl.** ..... **D21/394**; D19/86

[58] **Field of Search** ..... D19/86, 88, 90,  
D19/91; D21/392-396; 273/148 R, 150,  
151, 148 A, 157 R, 307

[56] **References Cited**

**U.S. PATENT DOCUMENTS**

D. 283,141	3/1986	Koves	.....	D19/88
D. 354,636	1/1995	Cable	.....	D6/406.4
D. 356,608	3/1995	Poon	.....	D21/392

2,115,276	4/1938	Morse	.....	273/148 A
5,082,116	1/1992	Schanne	.....	273/148 A
5,895,049	4/1999	Fingers, Jr.	.....	273/157 R

*Primary Examiner*—Sandra L. Morris  
*Attorney, Agent, or Firm*—Rodgers & Rodgers

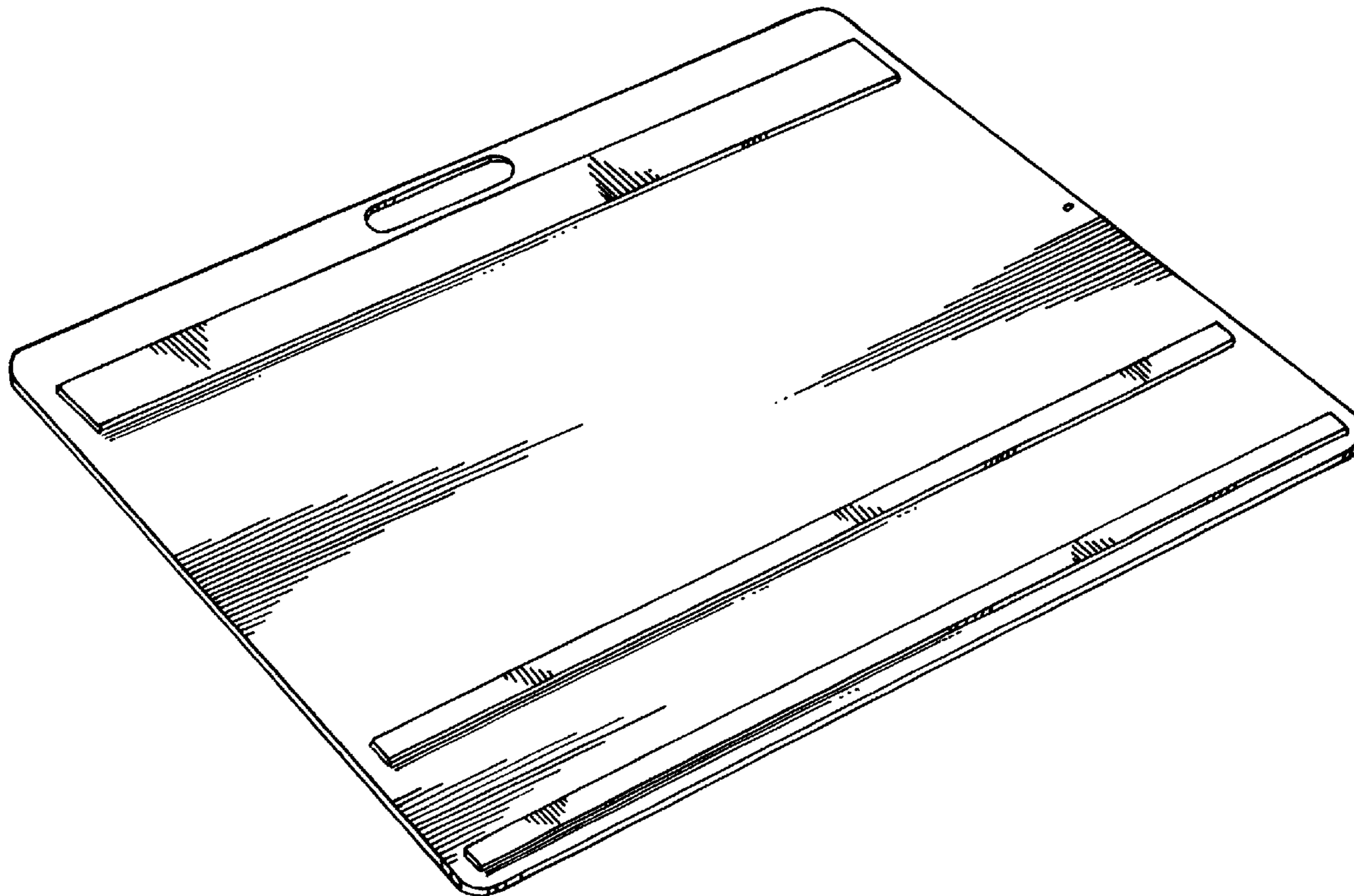
[57] **CLAIM**

The ornamental design for a bingo card holder, as shown and described.

**DESCRIPTION**

FIG. 1 is a perspective view of a bingo card holder showing my new design;  
FIG. 2 is a top plan view thereof;  
FIG. 3 is a front elevational view thereof, the rear being the same in appearance;  
FIG. 4 is a left-side elevational view thereof, the right side being a mirror image thereof; and,  
FIG. 5 is a bottom plan view thereof.

**1 Claim, 2 Drawing Sheets**



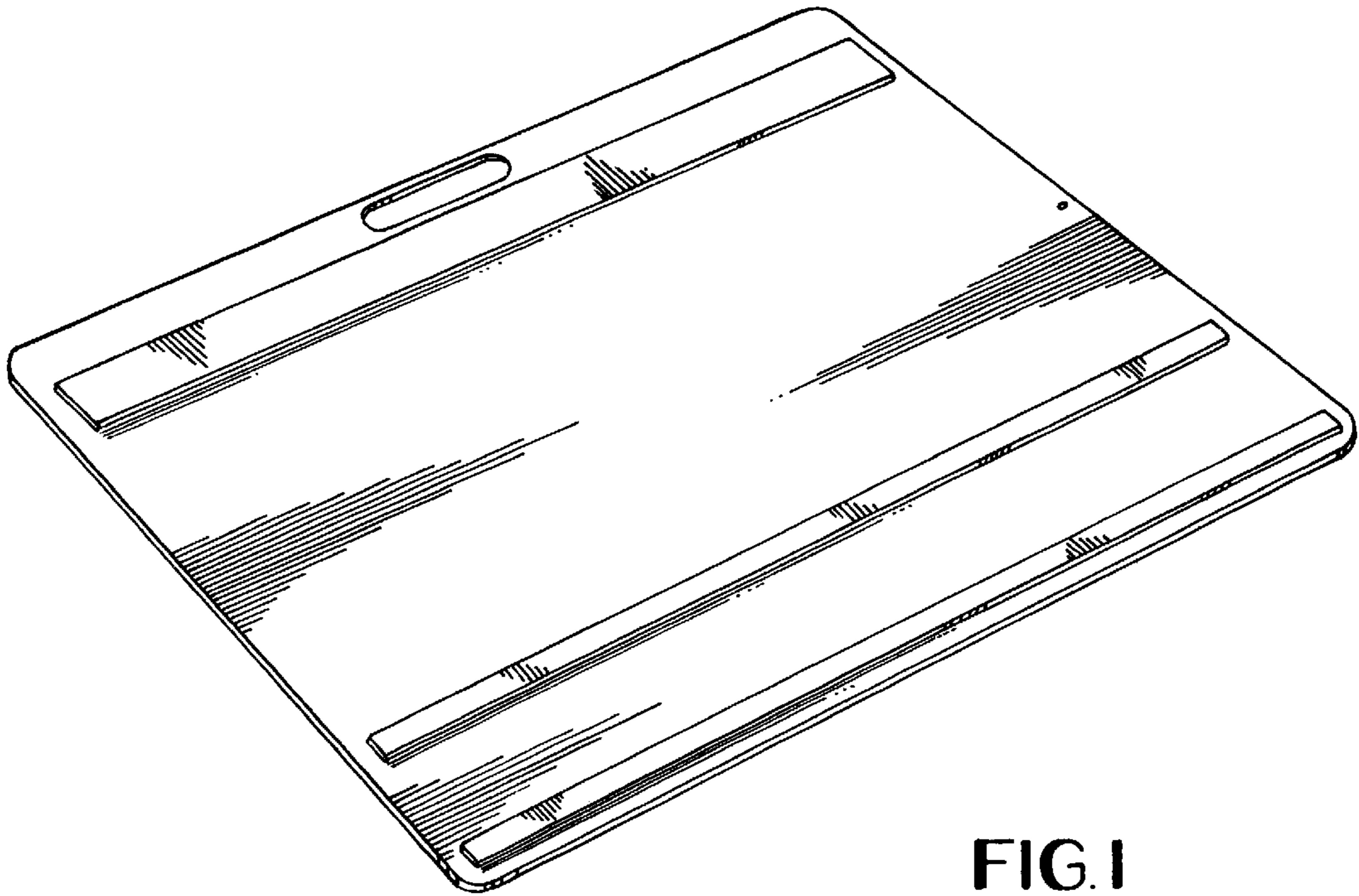


FIG. 1

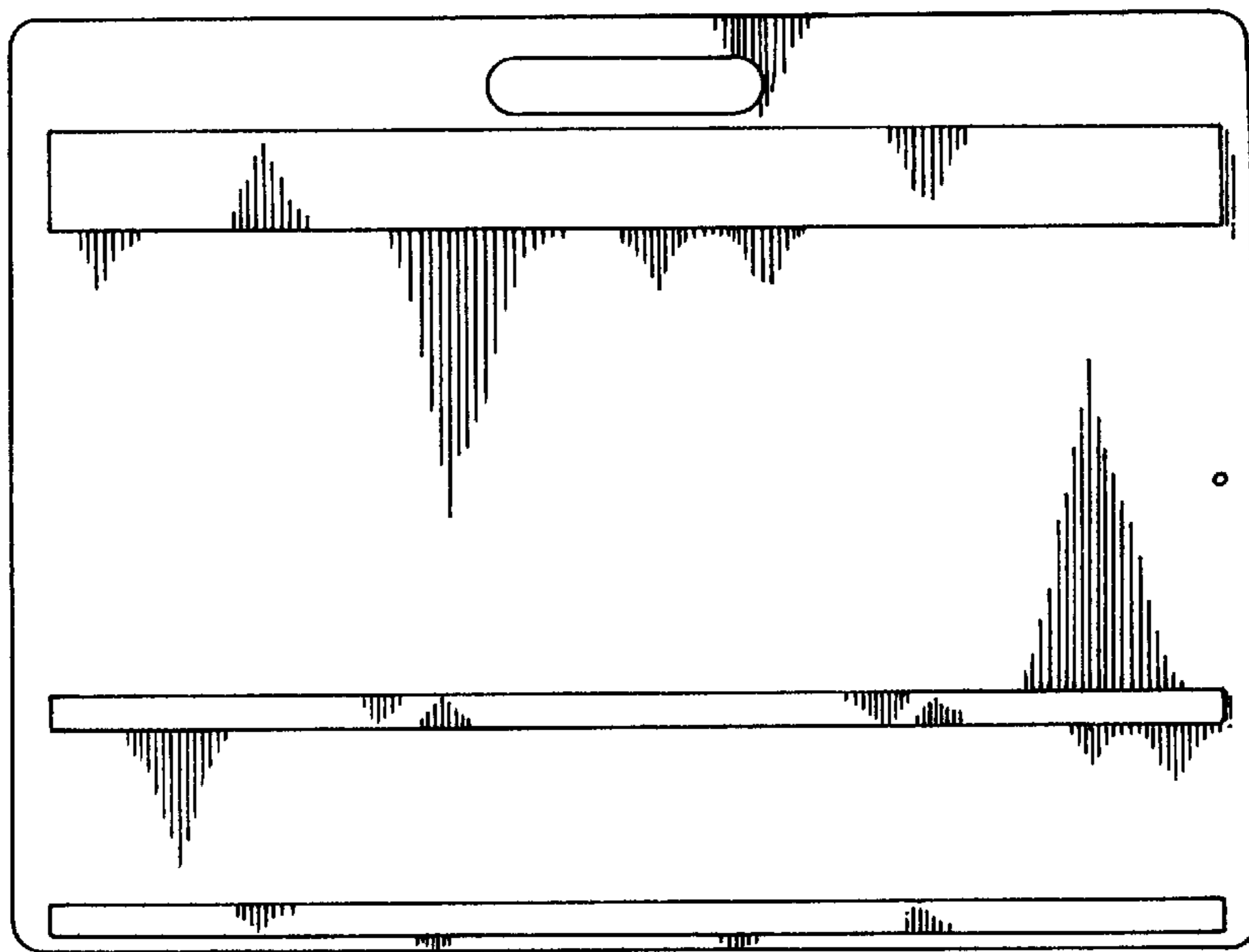


FIG. 2

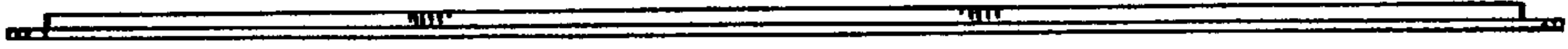


FIG. 3

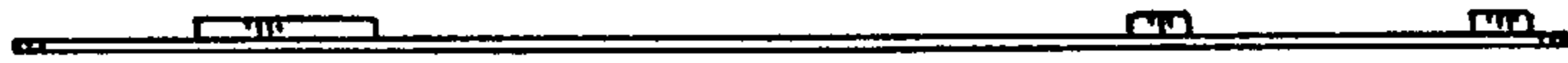


FIG. 4

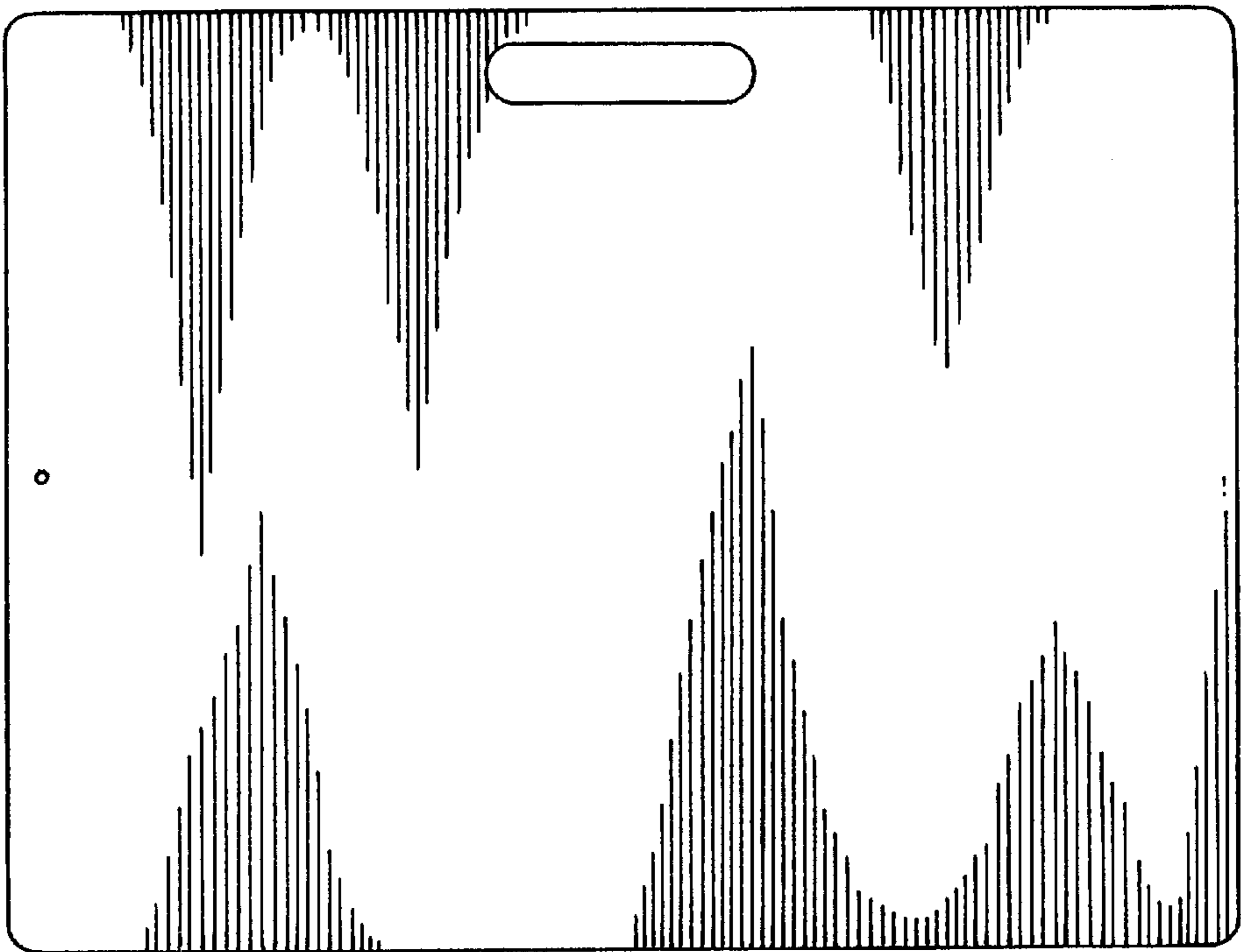


FIG. 5