



US00D433459S

# United States Patent [19] Balchin

[11] Patent Number: **Des. 433,459**

[45] Date of Patent: **\*\* Nov. 7, 2000**

[54] **EXTRUDED METAL SECTION**

[75] Inventor: **Graeme William Balchin**, Seven Hills, Australia

[73] Assignee: **Vital Signs Manufacturers PTY LTD**, New South Wales, Australia

[\*\*] Term: **14 Years**

[21] Appl. No.: **29/090,636**

[22] Filed: **Jul. 13, 1998**

[30] **Foreign Application Priority Data**

Jan. 20, 1998 [AU] Australia ..... 142/1998

[51] **LOC (7) Cl.** ..... **20-03**

[52] **U.S. Cl.** ..... **D20/44; D25/119**

[58] **Field of Search** ..... D20/10, 43-44; 248/316.7, 475.1; 40/642.02, 646, 649, 651, 653, 661, 661.03, 662, 660, 658, 611; D25/119-125

[56] **References Cited**

**U.S. PATENT DOCUMENTS**

D. 254,625 4/1980 Stenersen ..... D20/43  
D. 275,867 10/1984 Lazzara et al. .... D20/43

D. 304,085 10/1989 Hockney ..... D25/119  
D. 389,526 1/1998 Callas ..... D20/43  
D. 398,029 9/1998 Falls et al. .... D20/44  
5,515,632 5/1996 Gebka et al. .... 40/642.02  
5,572,822 11/1996 Laynch et al. .... 40/642.02  
5,863,019 1/1999 Rose et al. .... 248/316.7 X  
5,927,671 7/1999 Pynenburg ..... 248/475.1 X

*Primary Examiner*—Susan J. Lucas  
*Assistant Examiner*—Jennifer Rivard  
*Attorney, Agent, or Firm*—James Ray & Associates

[57] **CLAIM**

I claim the ornamental design for an extruded metal section, as shown and described.

**DESCRIPTION**

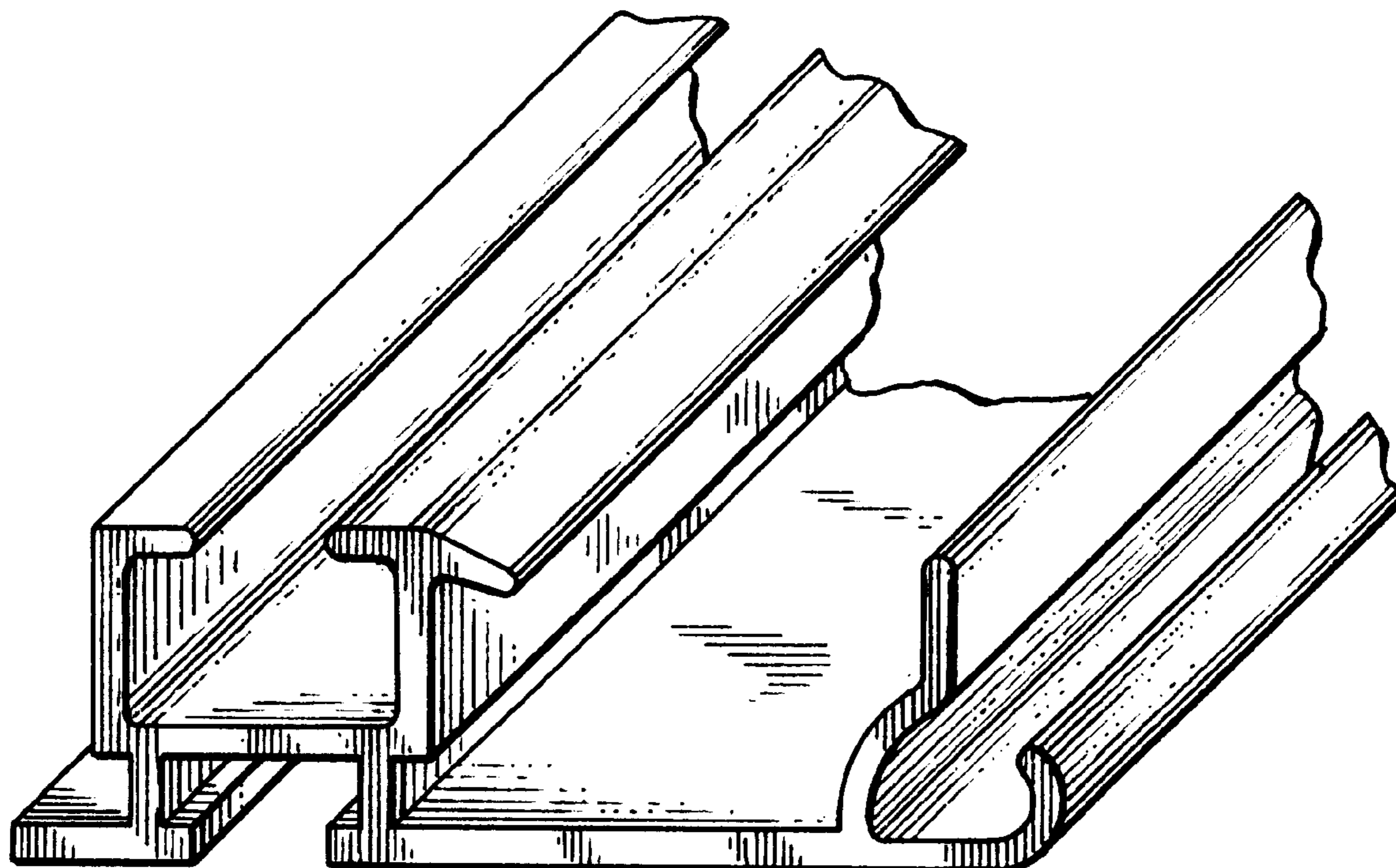
FIG. 1 is a front perspective view of an extruded metal section showing my new, original and ornamental design; and,

FIG. 2 is an end view of the extruded metal section illustrated in FIG. 1.

The extruded metal section is broken away to indicate indefinite length.

The surface(s) or portion(s) of the article not shown in the drawing or described in the specification form(s) no part of the claimed design.

**1 Claim, 1 Drawing Sheet**



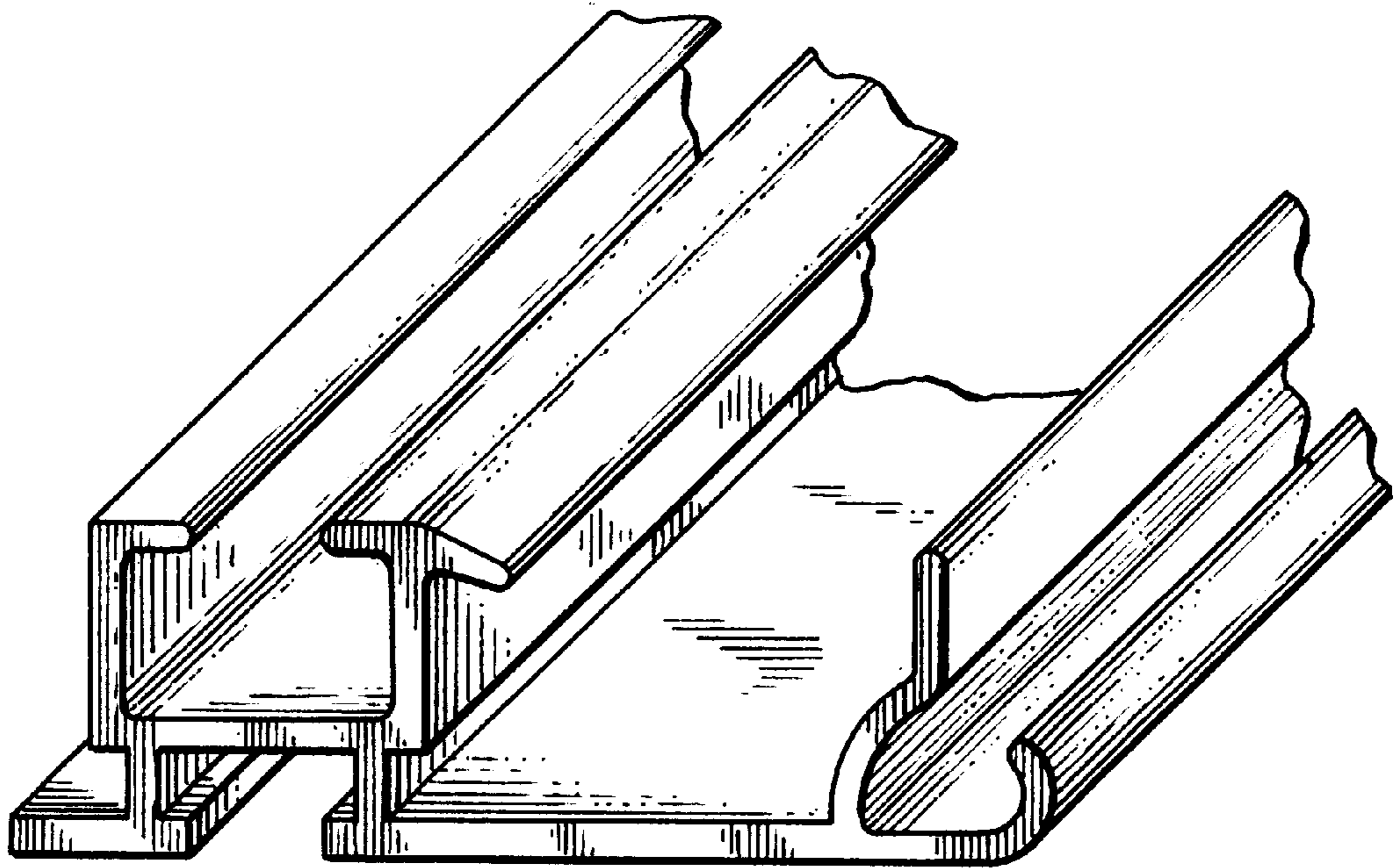


FIG. 1

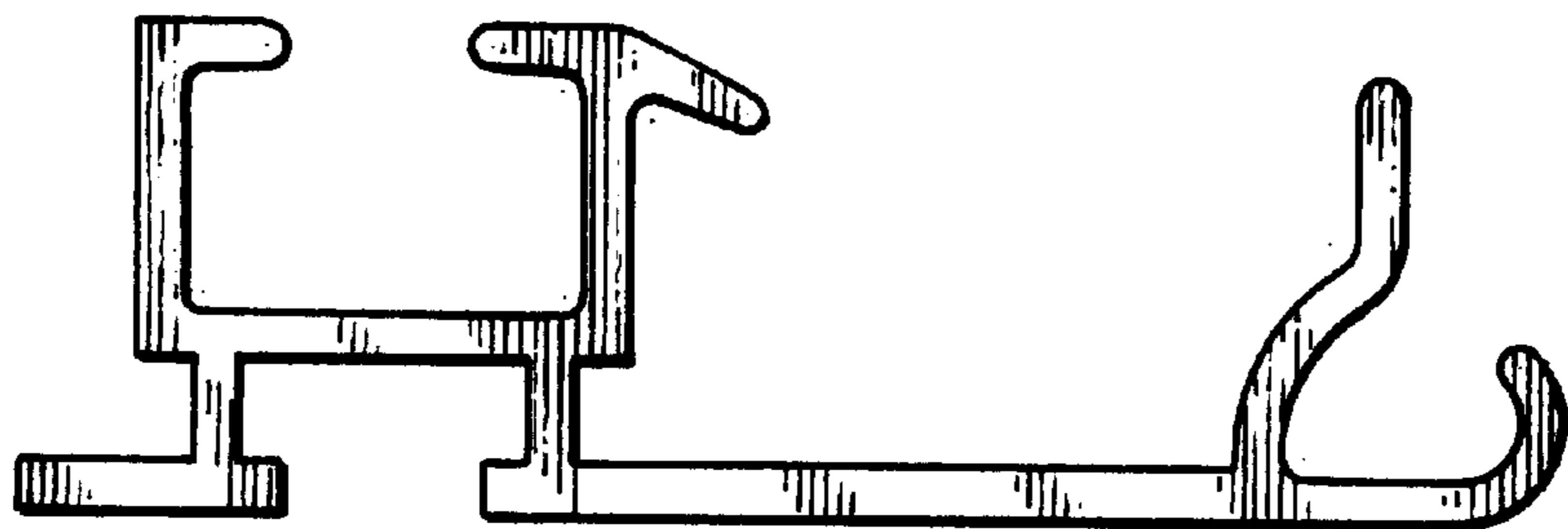


FIG 2