



US00D433451S

United States Patent [19]
Schultz

[11] **Patent Number: Des. 433,451**
[45] **Date of Patent: ** Nov. 7, 2000**

[54] **CLIPBOARD WITH SIDE FOLDING COVER AND DIVIDER**

[76] Inventor: **Leon A. Schultz**, 459 N. Eau Claire St.,
Mondovi, Wis. 54755

[**] Term: **14 Years**

[21] Appl. No.: **29/124,691**

[22] Filed: **Jun. 12, 1997**

Related U.S. Application Data

[63] Continuation-in-part of application No. 29/039,131, May 22, 1995, abandoned.

[51] **LOC (7) Cl.** **19-02**

[52] **U.S. Cl.** **D19/88; D19/27; D19/90**

[58] **Field of Search** D19/26, 27, 31,
D19/32, 75, 78, 86, 88, 90, 91, 99, 100;
248/441.1, 442.2, 444.1, 450, 451, 452;
281/45, 31; 402/80 R; 434/370

[56] **References Cited**

U.S. PATENT DOCUMENTS

D. 415,531 10/1999 Schultz D19/88

3,848,547	11/1974	Schaefer	281/45 X
4,907,905	3/1990	Fournier	402/80 R
4,968,258	11/1990	Kees	434/370
5,145,141	9/1992	Hunter	248/452
5,887,902	3/1999	Irwin et al.	281/45

Primary Examiner—Martie K. Holtje
Attorney, Agent, or Firm—Skinner & Associates

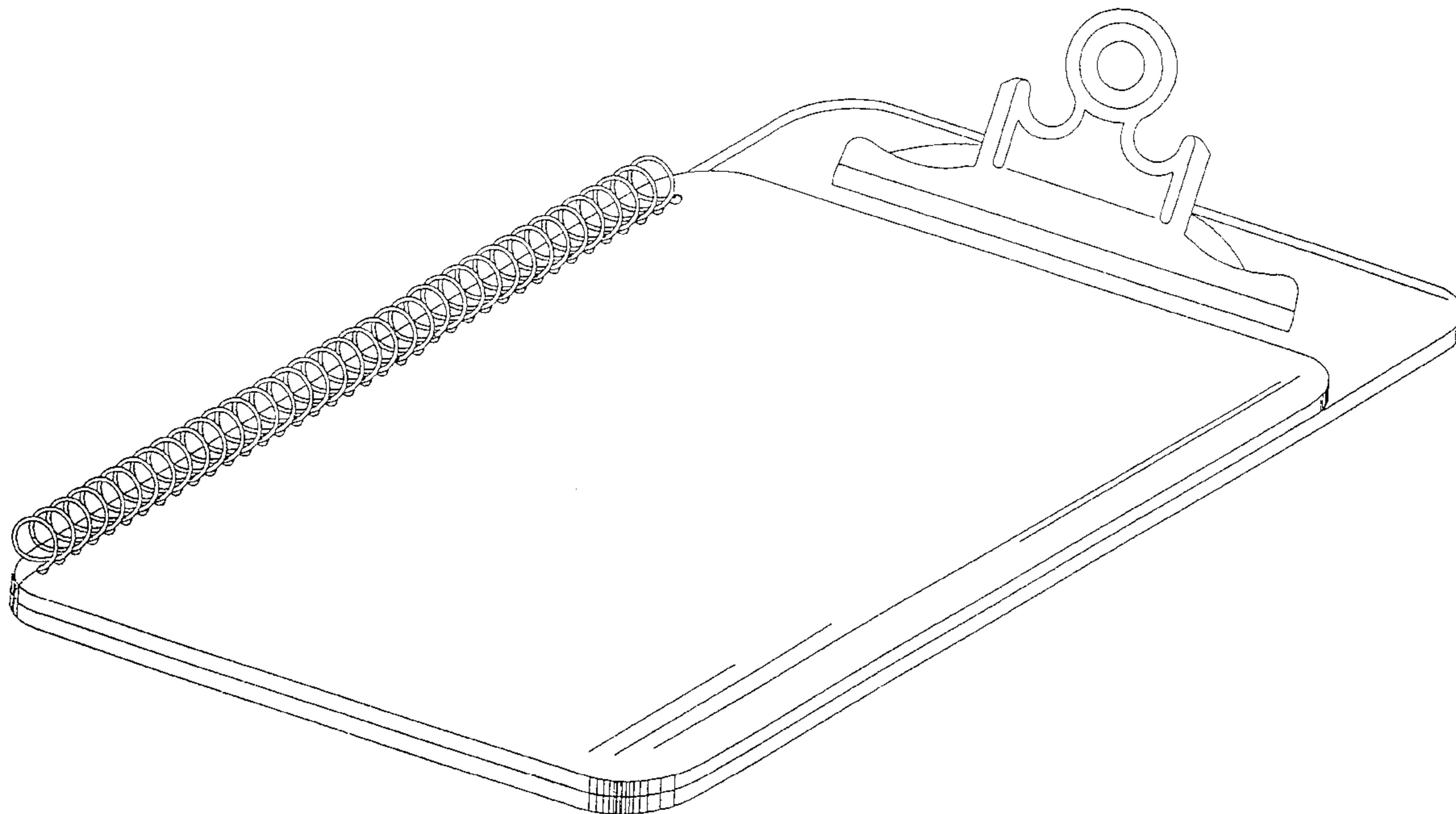
[57] **CLAIM**

The ornamental design for a clipboard with side folding cover and divider, as shown and described.

DESCRIPTION

FIG. 1 is a perspective view of the clipboard with side folding cover and divider showing the new design.
FIG. 2 is a front view thereof.
FIG. 3 is a back view thereof.
FIG. 4 is a left side view thereof.
FIG. 5 is a right side view thereof.
FIG. 6 is a top end view thereof.
FIG. 7 is a bottom end view thereof; and,
FIG. 8 is a view of the clipboard with side folding cover and divider with a portion folded open.

1 Claim, 8 Drawing Sheets



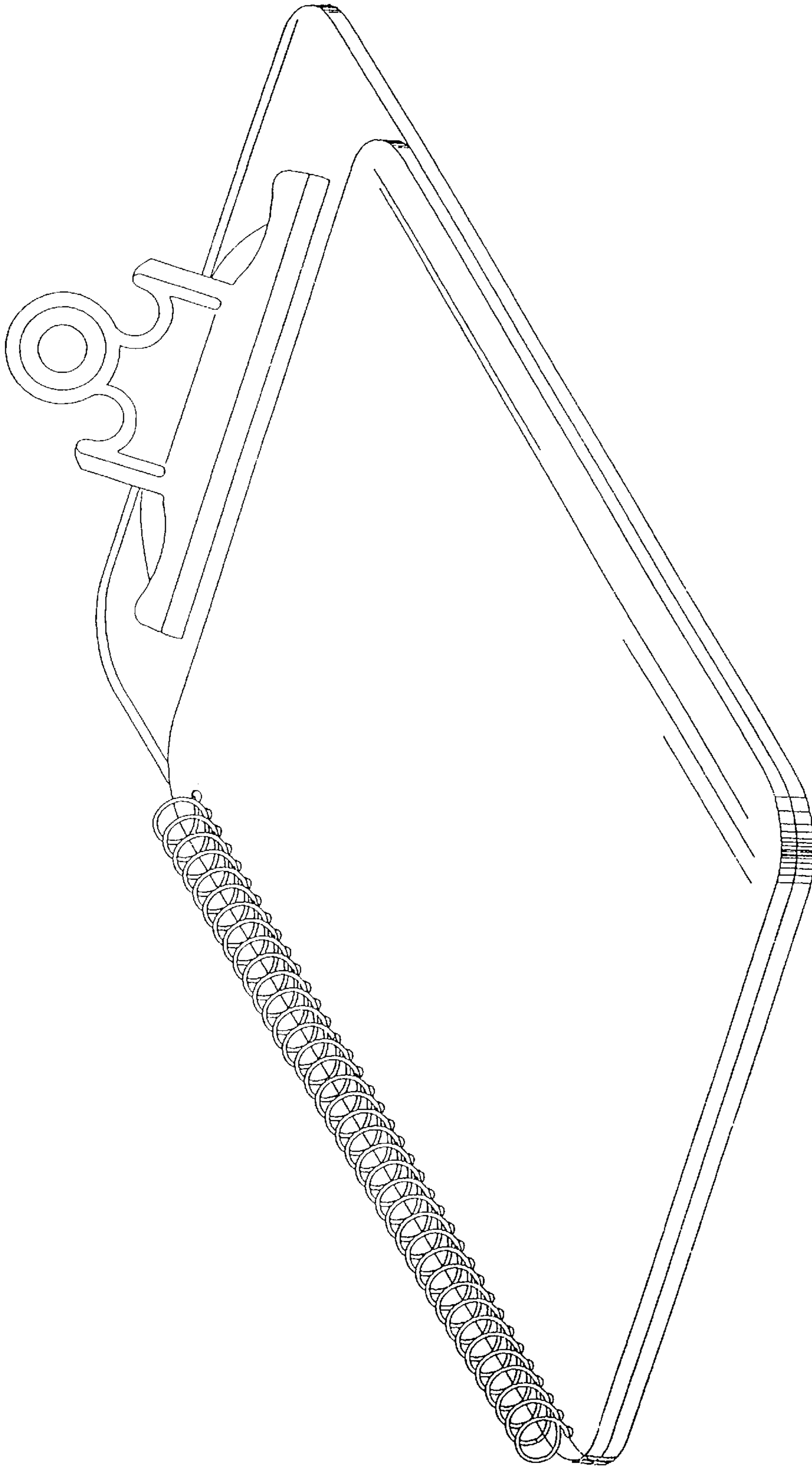


Fig. 1

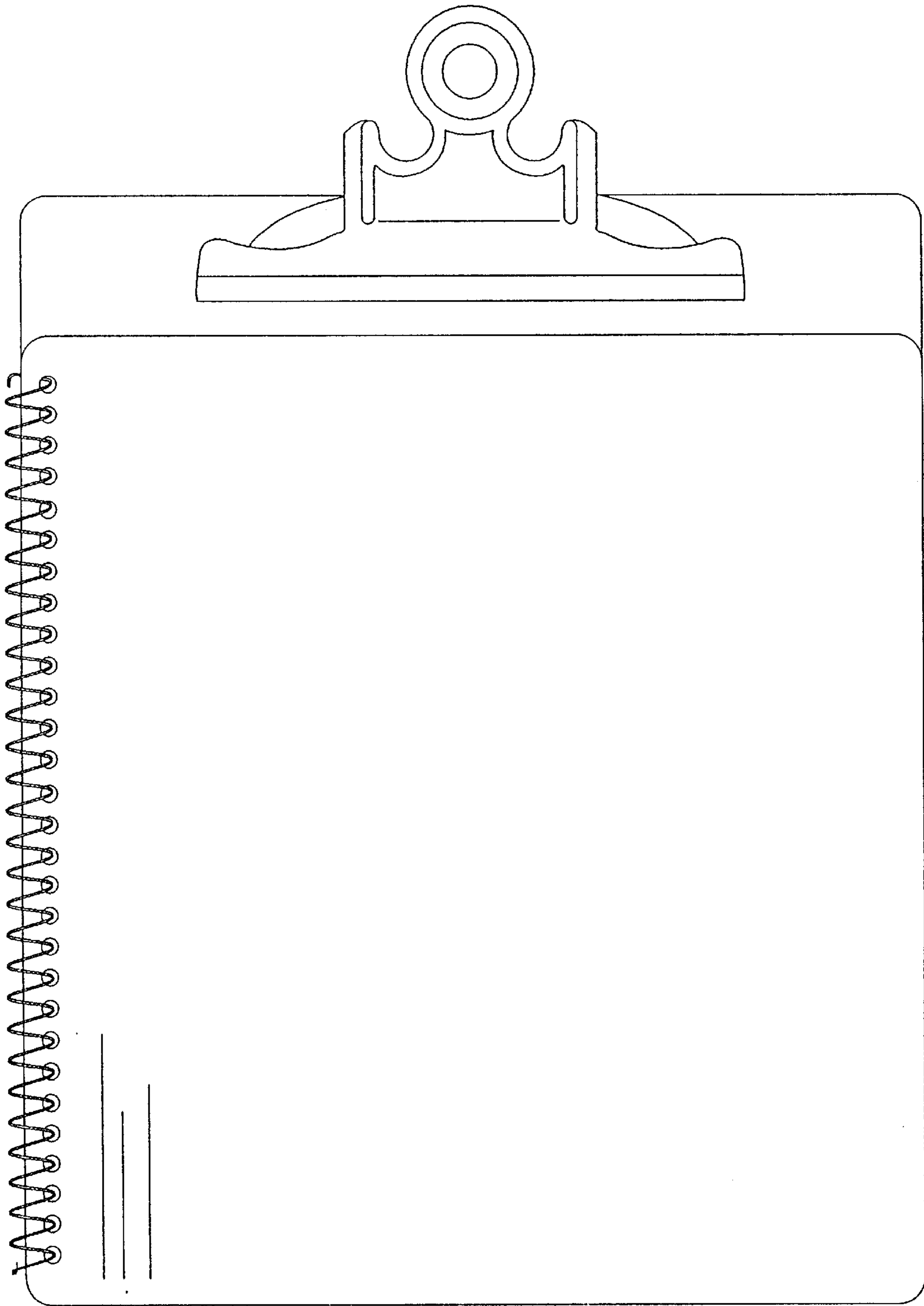


Fig. 2

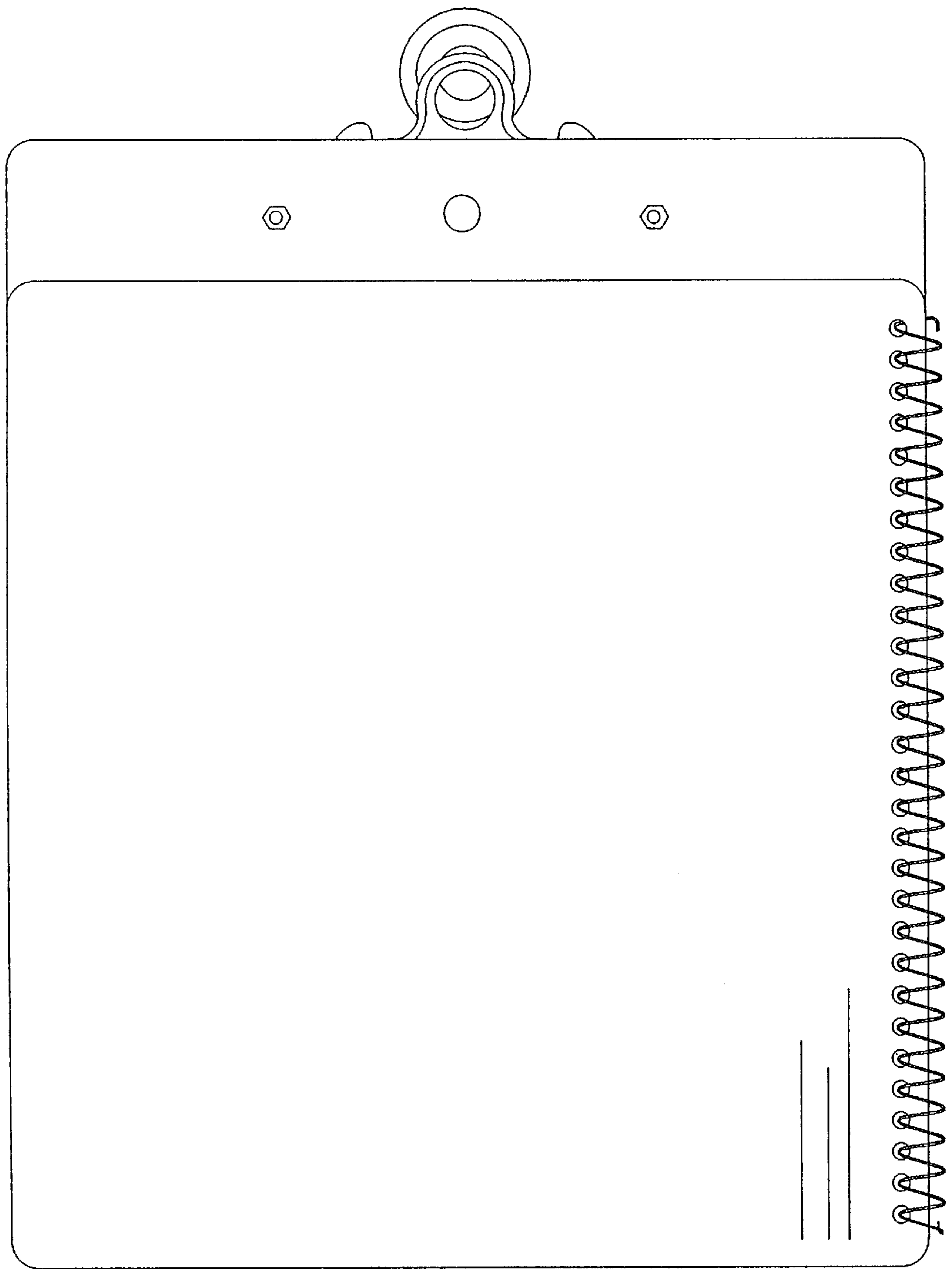


Fig. 3

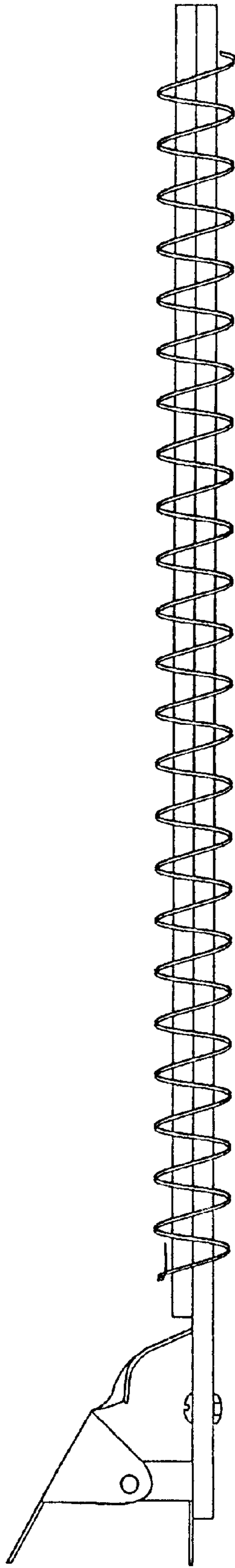


Fig. 4

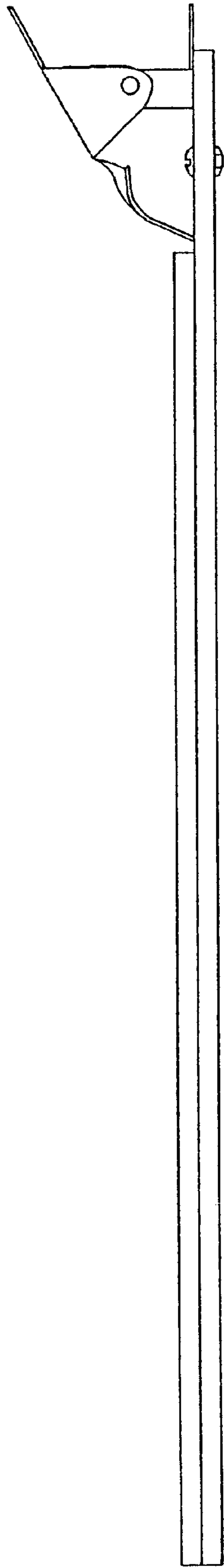


Fig. 5

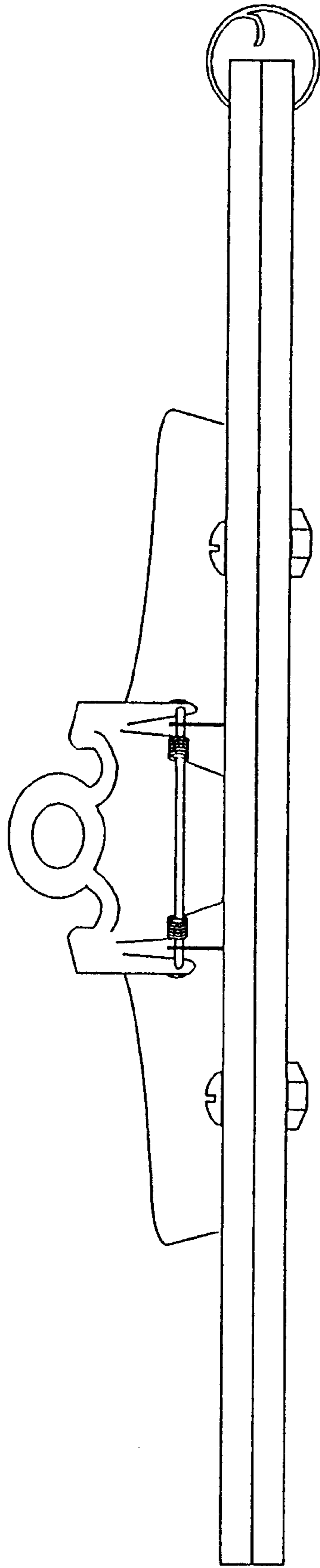


Fig. 6

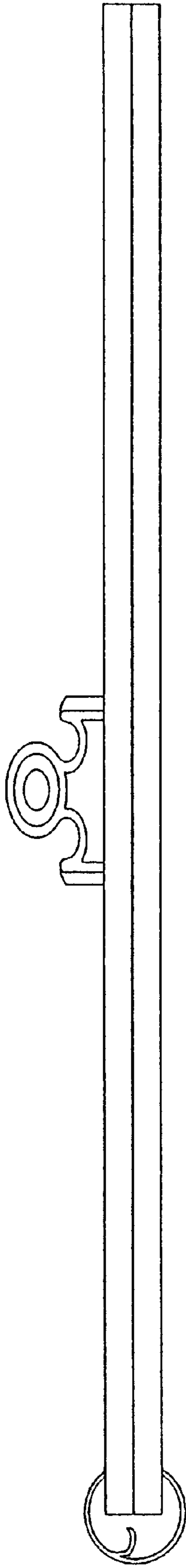


Fig. 7

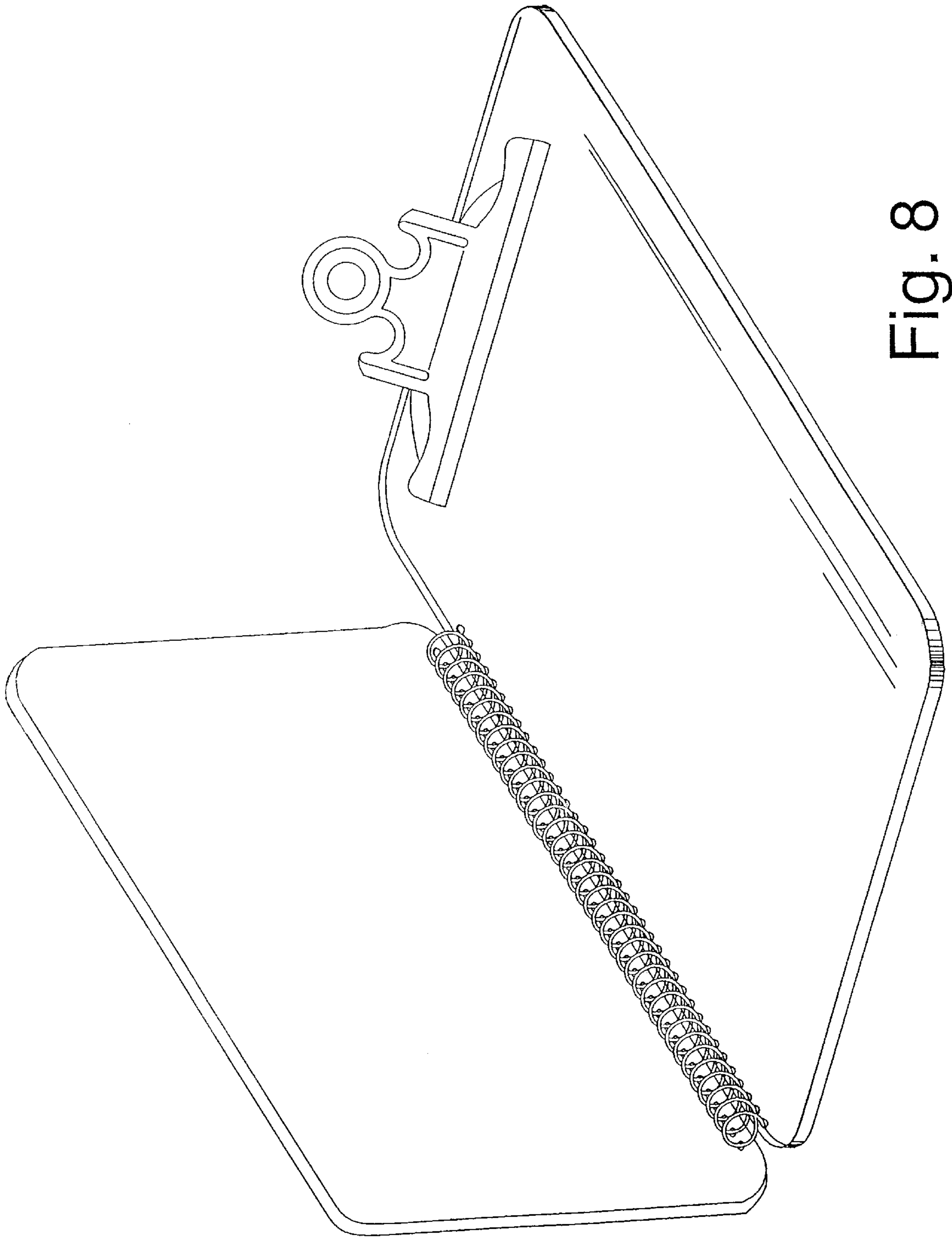


Fig. 8