



US00D433445S

United States Patent [19]

[11] **Patent Number: Des. 433,445**

To

[45] **Date of Patent: ** Nov. 7, 2000**

[54] **RING BINDER**

1,291,320	1/1919	Whitlock	402/75
3,132,649	5/1964	Gits	402/38
5,348,412	9/1994	Fuller	402/75

[75] Inventor: **Chun Yuen To**, Shatin, The Hong Kong Special Administrative Region of the People's Republic of China

Primary Examiner—Martie K. Holtje
Attorney, Agent, or Firm—Birch, Stewart, Kolasch & Birch, LLP

[73] Assignee: **World Wide Stationery Mfg. Co., Ltd.**, New Territories, The Hong Kong Special Administrative Region of the People's Republic of China

[57] CLAIM

[**] Term: **14 Years**

The ornamental design for a ring binder, as shown and described.

[21] Appl. No.: **29/117,861**

DESCRIPTION

[22] Filed: **Jan. 28, 2000**

Related U.S. Application Data

[62] Division of application No. 29/085,877, Mar. 31, 1998.

[51] **LOC (7) Cl.** **19-04**

[52] **U.S. Cl.** **D19/32; D19/27**

[58] **Field of Search** D19/65, 26, 27, D19/28, 32, 33, 99, 100; 281/15.1, 21.1, 22, 27.1, 27.2, 27.3, 28, 45, 51; 402/3, 4, 26, 31, 38, 41, 60, 70, 73, 75, 80 R

FIG. 1 is a perspective view of a first embodiment of the ring binder of the present invention;
 FIG. 2 is a top plan view thereof;
 FIG. 3 is a right side view thereof (the left side being identical);
 FIG. 4 is an end view thereof (the other end being identical);
 FIG. 5 is a perspective view of a second embodiment of the ring binder of the present invention;
 FIG. 6 is a top plan view thereof;
 FIG. 7 is a right side view thereof (the left side being identical);
 FIG. 8 is an end view thereof (the other end being identical);
 FIG. 9 is a perspective view of a third embodiment of the ring binder of the present invention;
 FIG. 10 is a top plan view thereof;
 FIG. 11 is a right side view thereof (the left side being identical); and,
 FIG. 12 is an end view thereof (the other end being identical).

[56] References Cited

U.S. PATENT DOCUMENTS

D. 382,593	8/1997	To	D19/32
D. 392,997	3/1998	Chan	D19/32
D. 405,113	2/1999	Ko	D19/32
D. 409,240	5/1999	Ko	D19/32

1 Claim, 6 Drawing Sheets

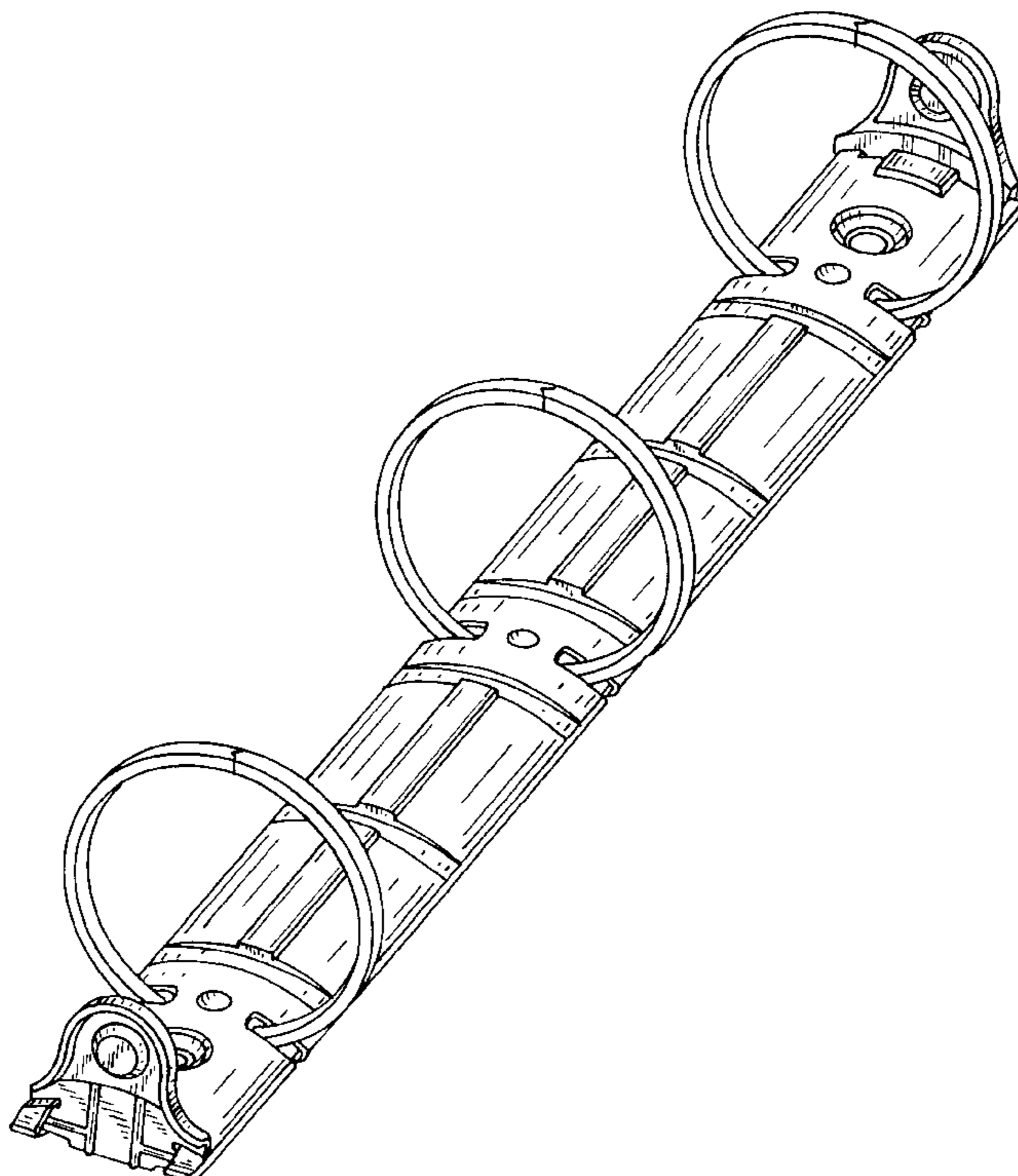


FIG. 1

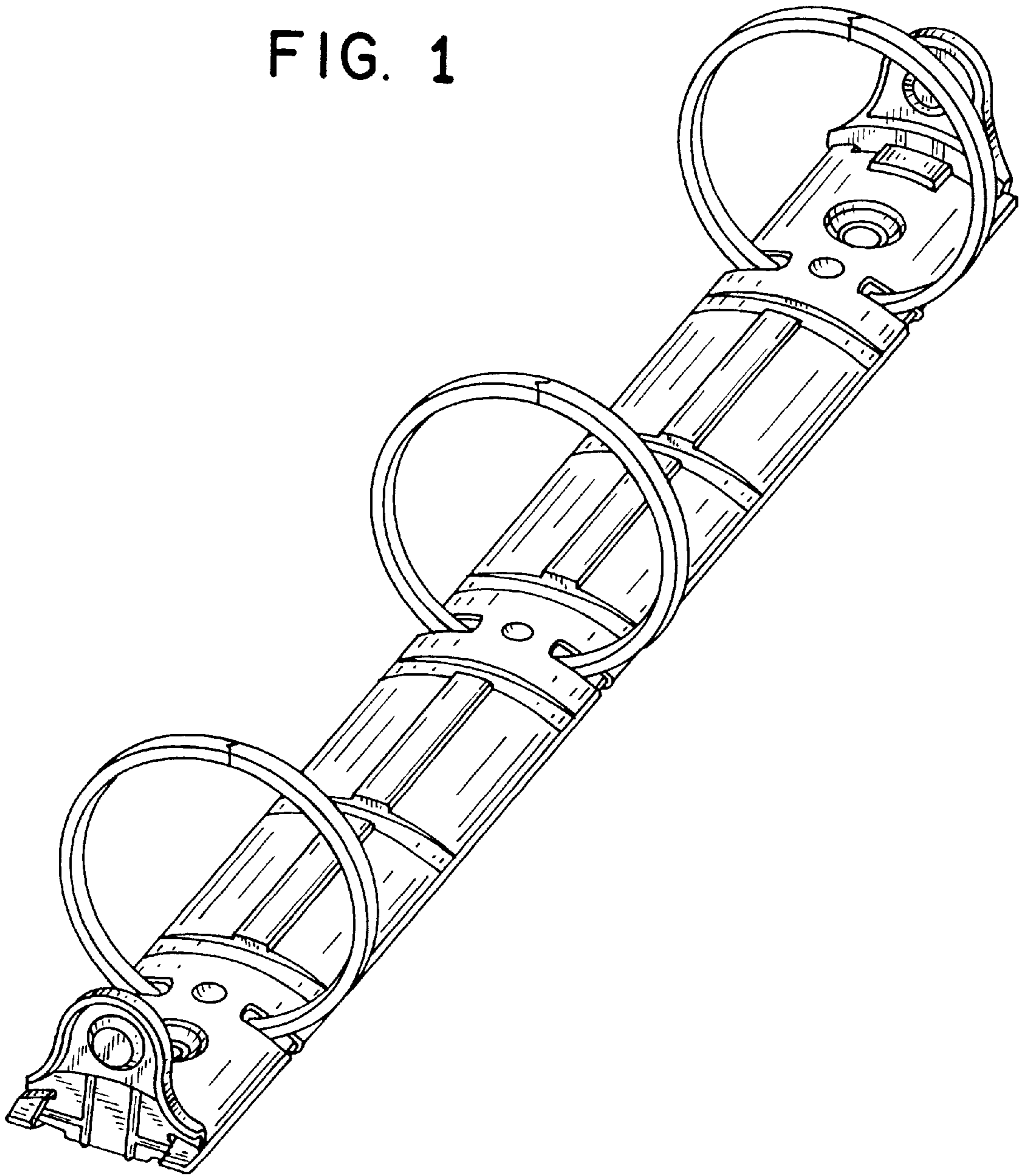


FIG. 2

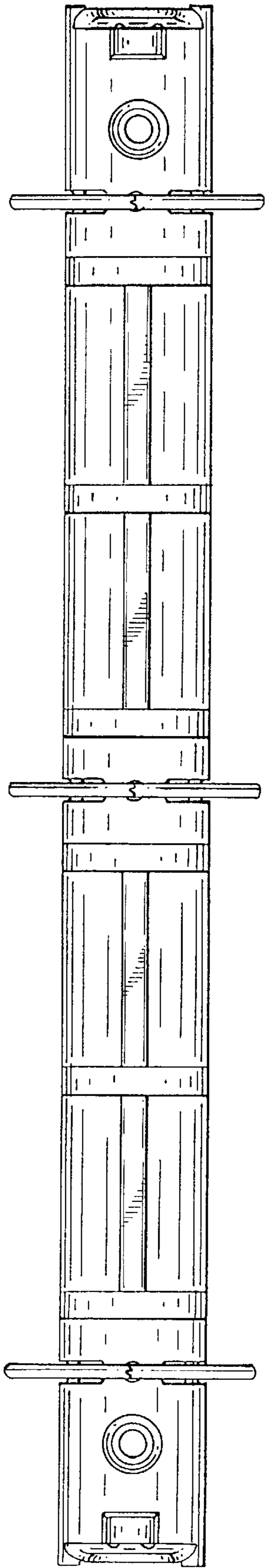


FIG. 3

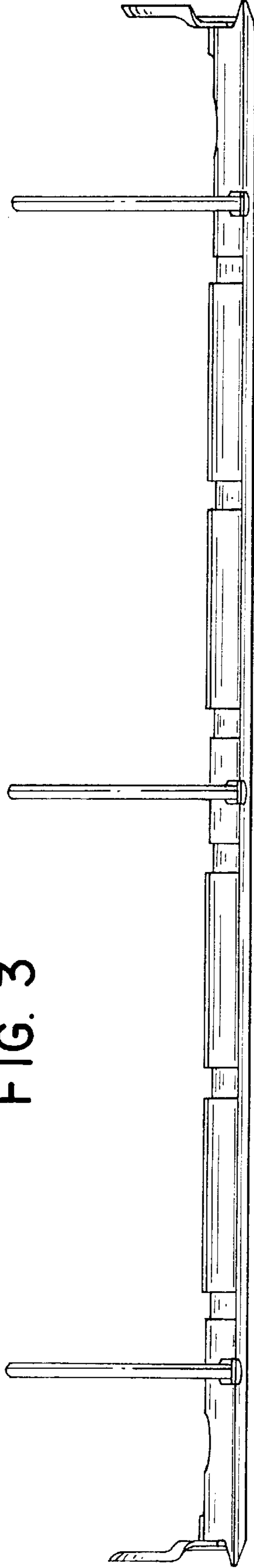


FIG. 4

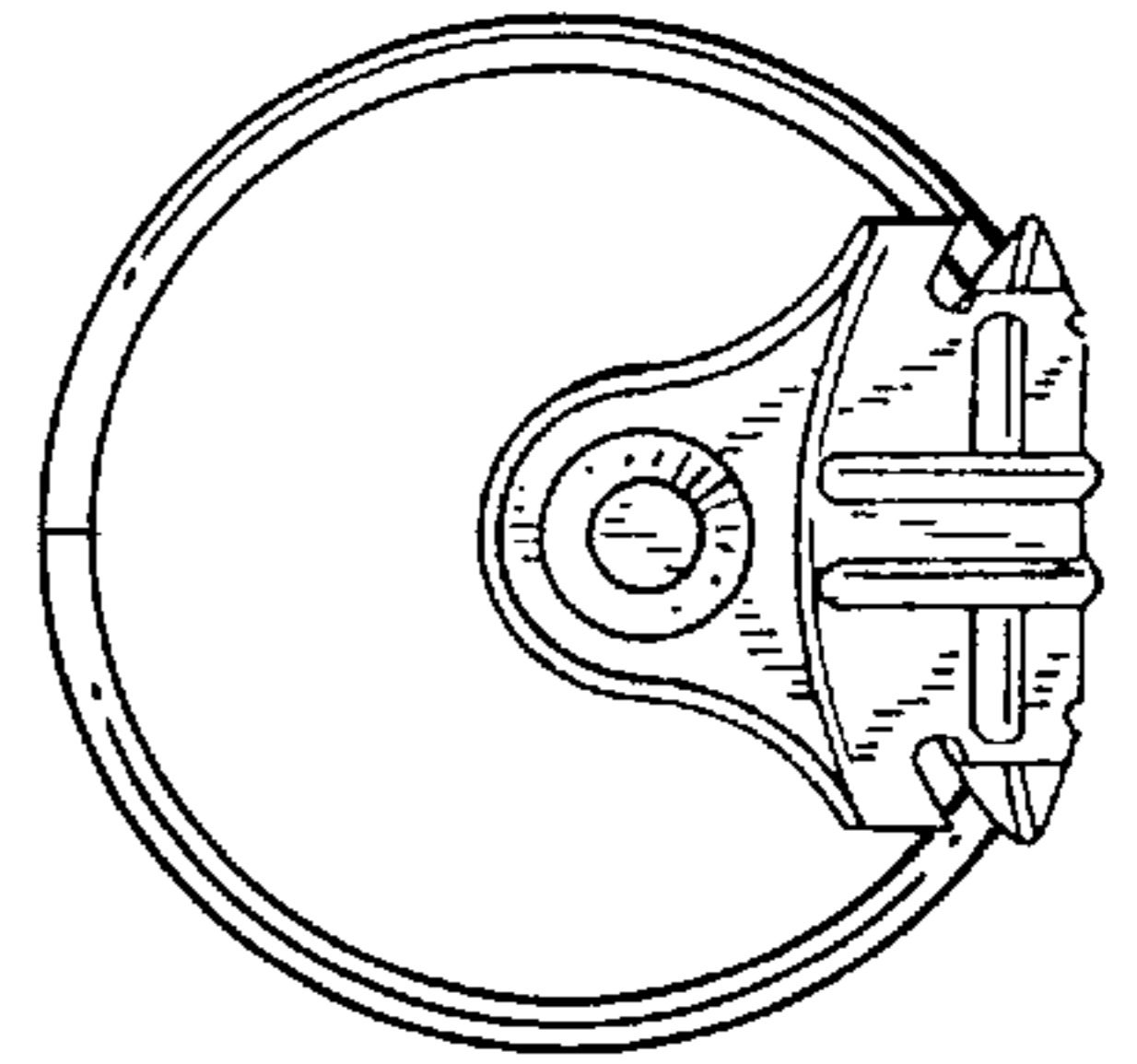


FIG. 5

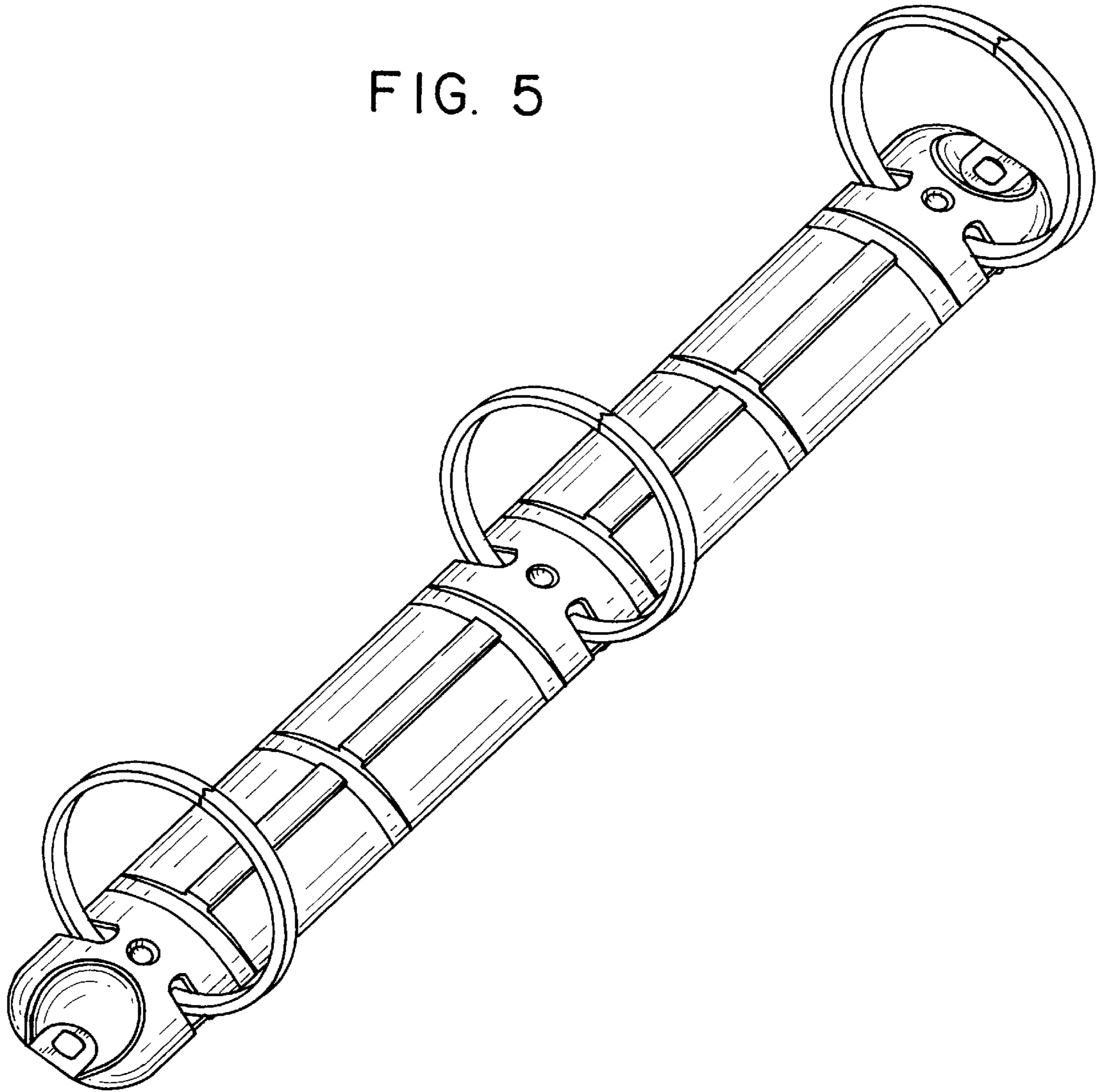


FIG. 6

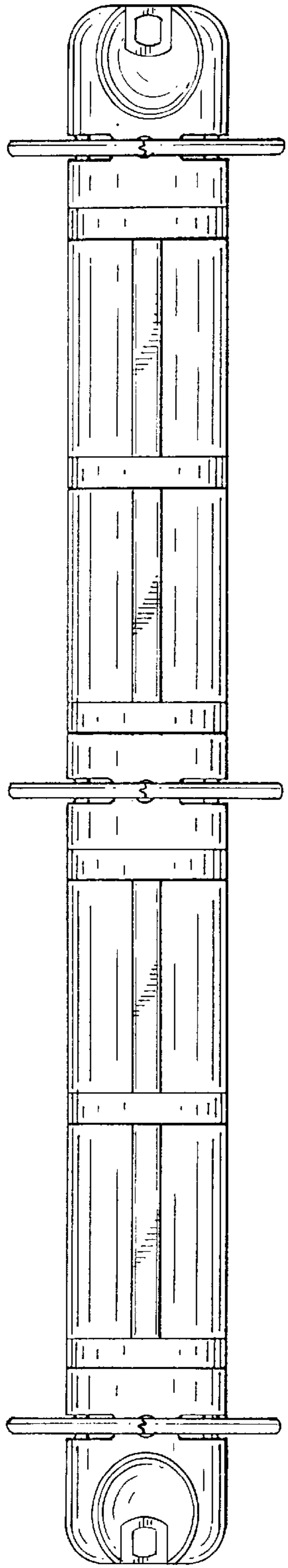


FIG. 7

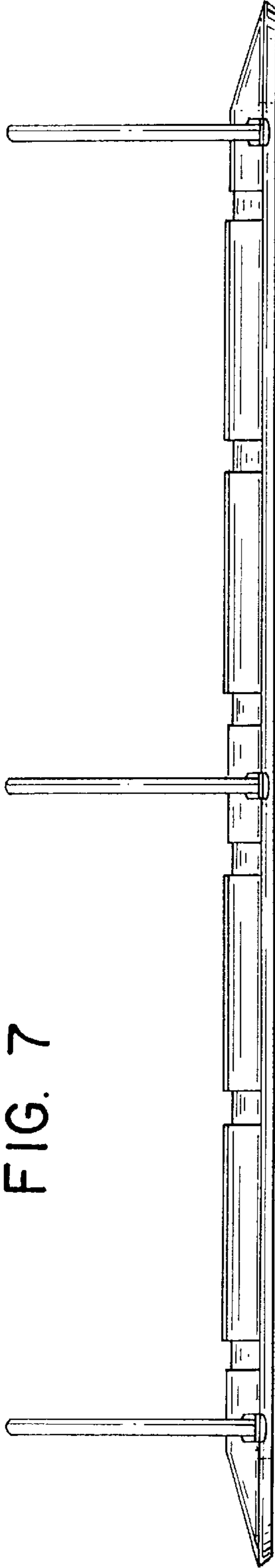


FIG. 8

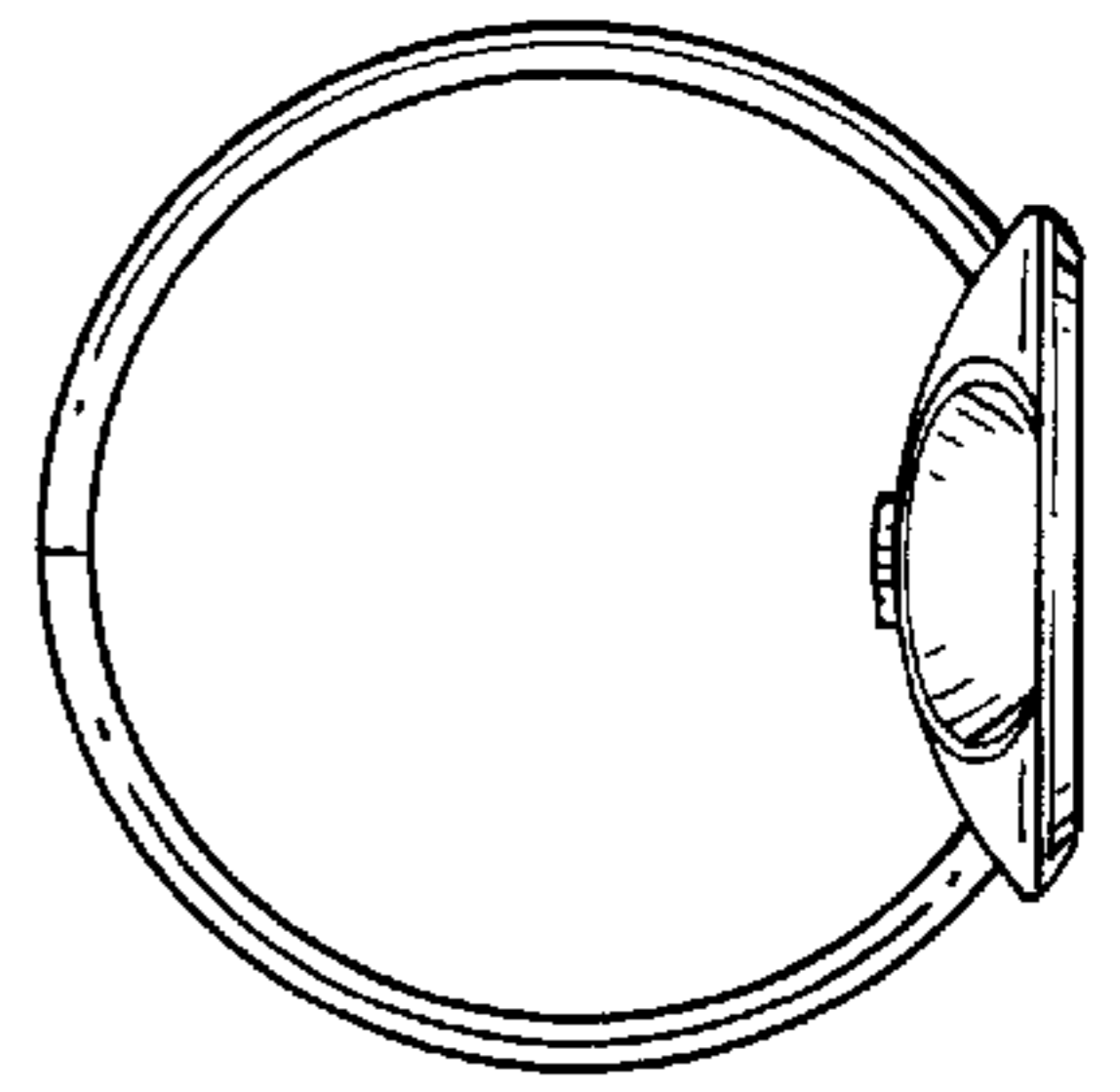


FIG. 9

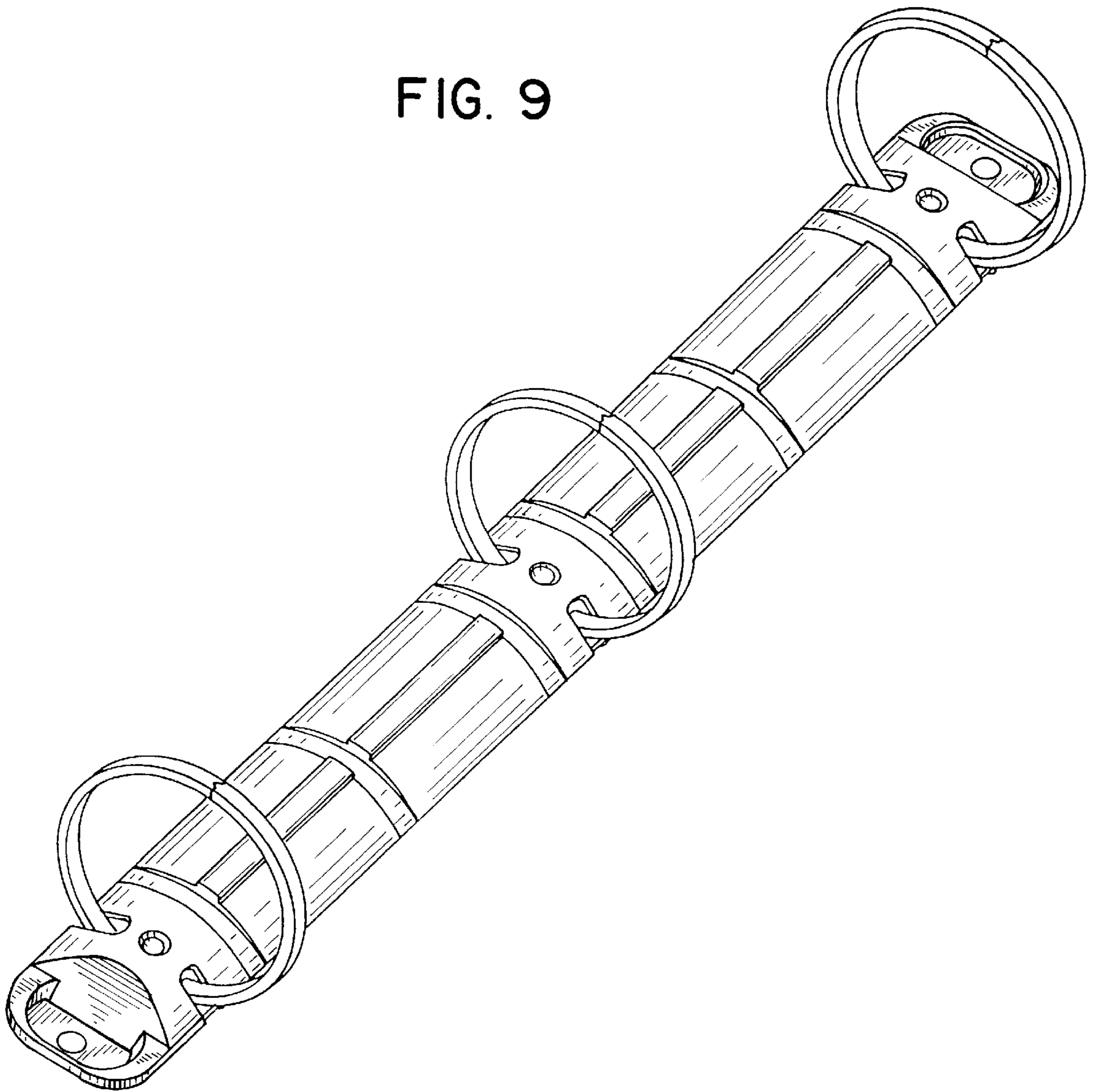


FIG. 10

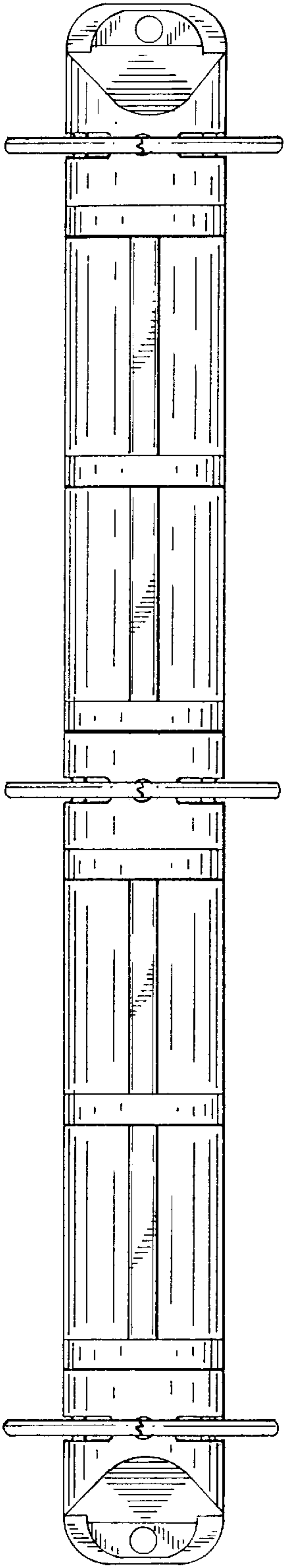


FIG. 11

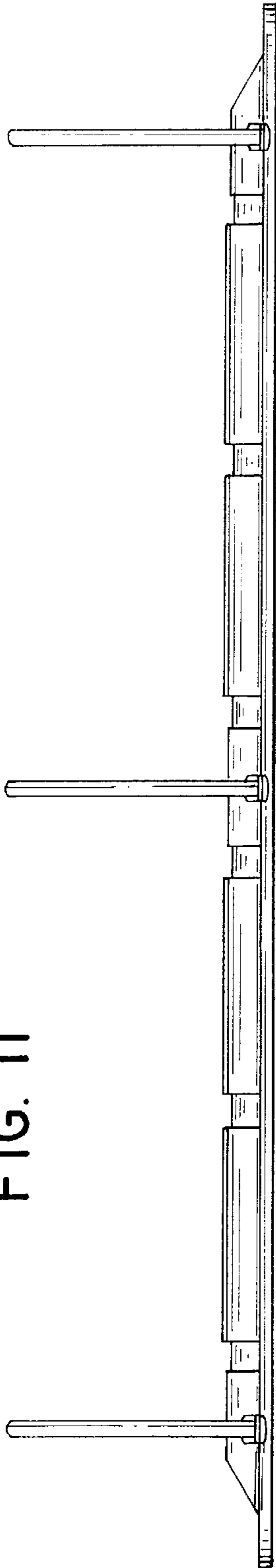


FIG. 12

