



US00D433443S

United States Patent [19]

Ito et al.

[11] Patent Number: **Des. 433,443**

[45] Date of Patent: **** Nov. 7, 2000**

[54] **COMPUTER PRINTER**

[75] Inventors: **Hitomi Ito**, Tokyo; **Toshimi Chiba**; **Tetsuya Sekine**, both of Yokohama; **Manabu Inoue**, Ootsu; **Hisakazu Shimizu**, Tokyo, all of Japan

[73] Assignee: **Canon Kabushiki Kaisha**, Tokyo, Japan

[**] Term: **14 Years**

[21] Appl. No.: **29/111,976**

[22] Filed: **Oct. 8, 1999**

[30] **Foreign Application Priority Data**

Apr. 12, 1999 [JP] Japan 11-9487

[51] **LOC (7) Cl.** **14-02**

[52] **U.S. Cl.** **D18/55**

[58] **Field of Search** D18/50, 54-55; 400/613, 613.1-613.4, 691-694, 690.1-690.4

[56] **References Cited**

U.S. PATENT DOCUMENTS

- D. 356,818 3/1995 Sekine et al. D18/55
- D. 363,506 10/1995 Inukai D18/55
- D. 367,882 3/1996 Parsey et al. D18/55
- D. 369,617 5/1996 Sato D18/54

- D. 369,827 5/1996 Inukai D18/55
- D. 373,596 9/1996 Sekine et al. D18/55
- D. 378,378 3/1997 Nakazawa et al. D18/54
- D. 382,583 8/1997 Takahashi et al. D18/55
- D. 390,258 2/1998 Kawahara et al. D18/55
- D. 393,870 4/1998 Kobayashi et al. D18/55
- D. 400,571 11/1998 Shimizu D18/54
- D. 400,572 11/1998 Sekine et al. D18/54
- D. 400,918 11/1998 Kobayashi et al. D18/55
- D. 407,712 4/1999 Hasegawa D18/50

Primary Examiner—Cathy Anne MacCormac
Attorney, Agent, or Firm—Fitzpatrick, Cella, Harper & Scinto

[57] **CLAIM**

The ornamental design for a computer printer, as shown and described.

DESCRIPTION

FIG. 1 is a front view of a computer printer showing our new design;
FIG. 2 is a rear view thereof;
FIG. 3 is a top plan view thereof;
FIG. 4 is a bottom plan view thereof;
FIG. 5 is a left side view thereof;
FIG. 6 is a right side view thereof; and,
FIG. 7 is a perspective view thereof.

1 Claim, 6 Drawing Sheets

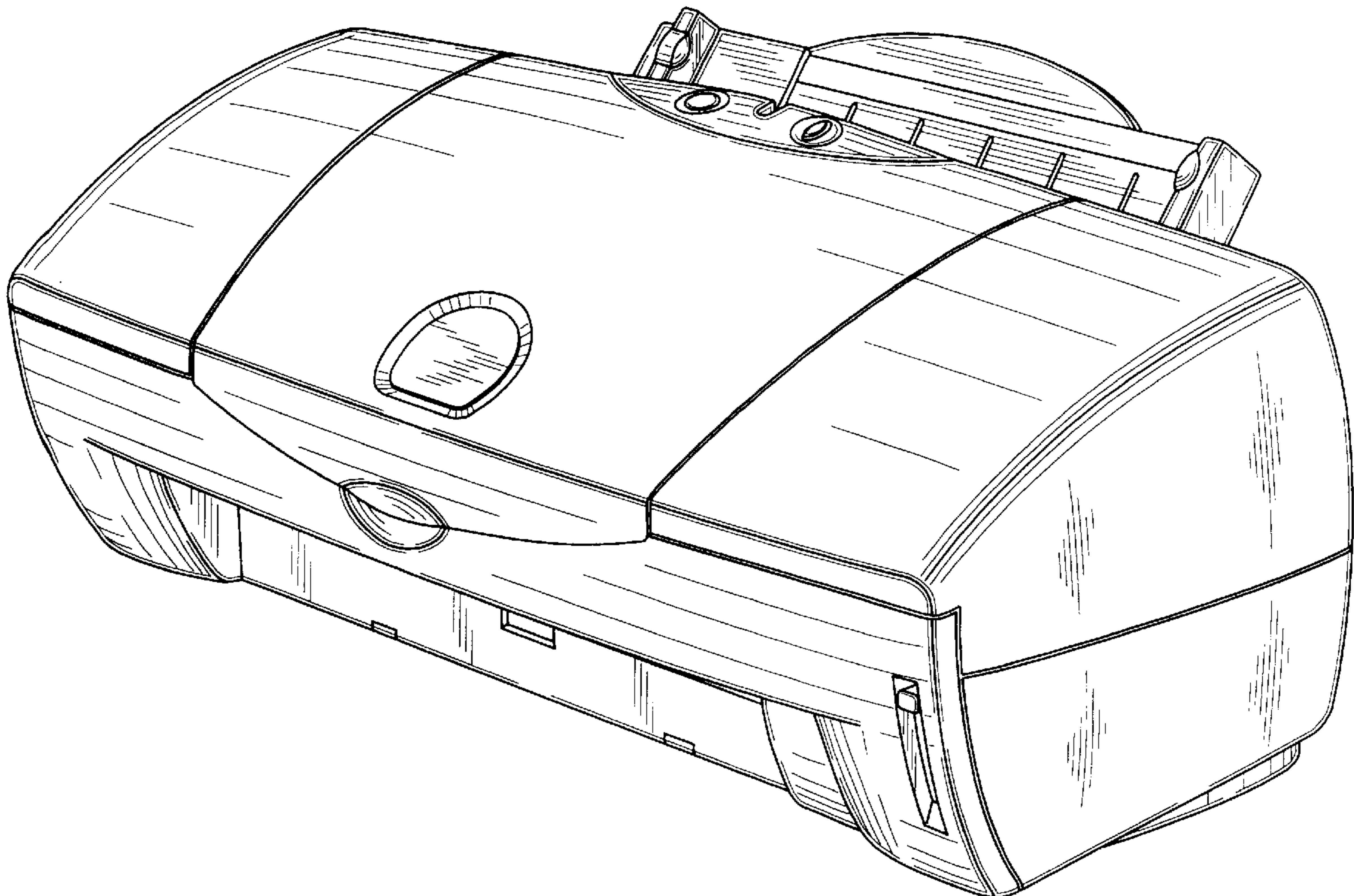


FIG. 1

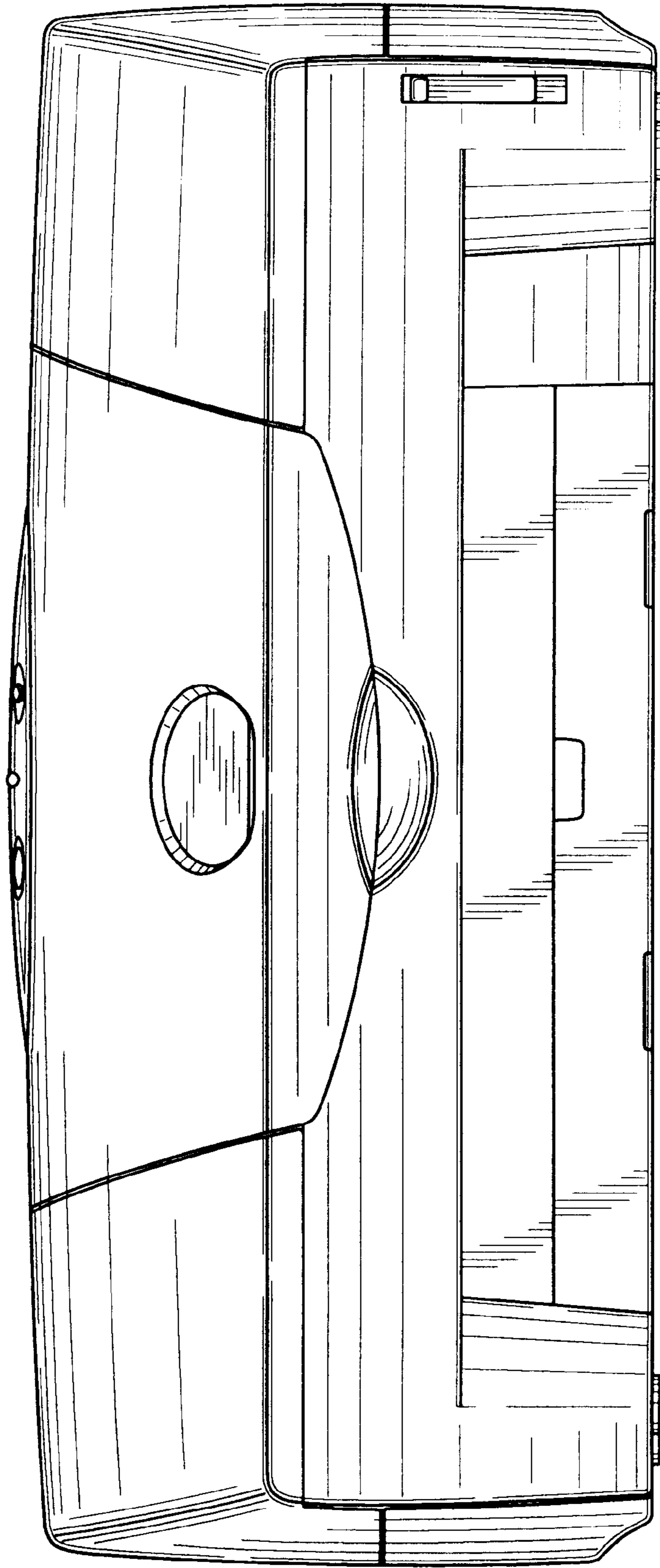


FIG. 2

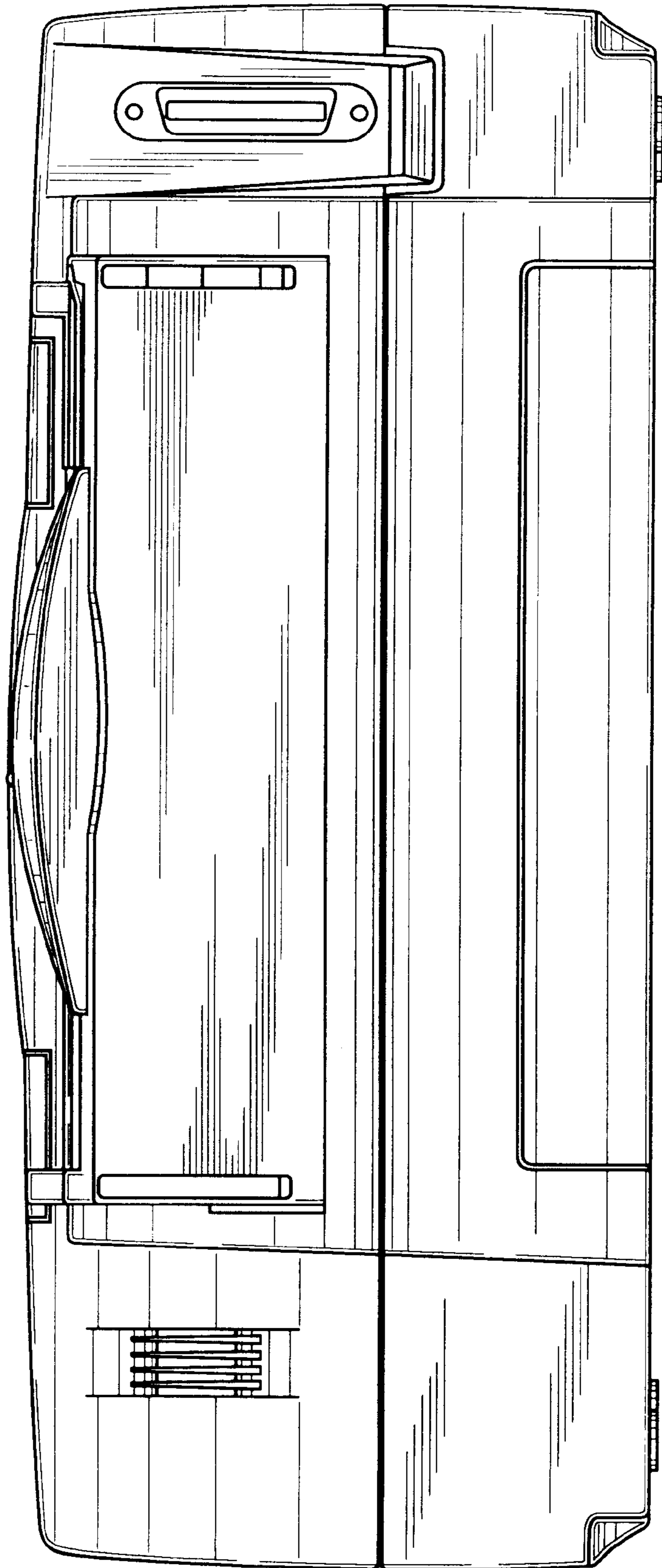


FIG. 3

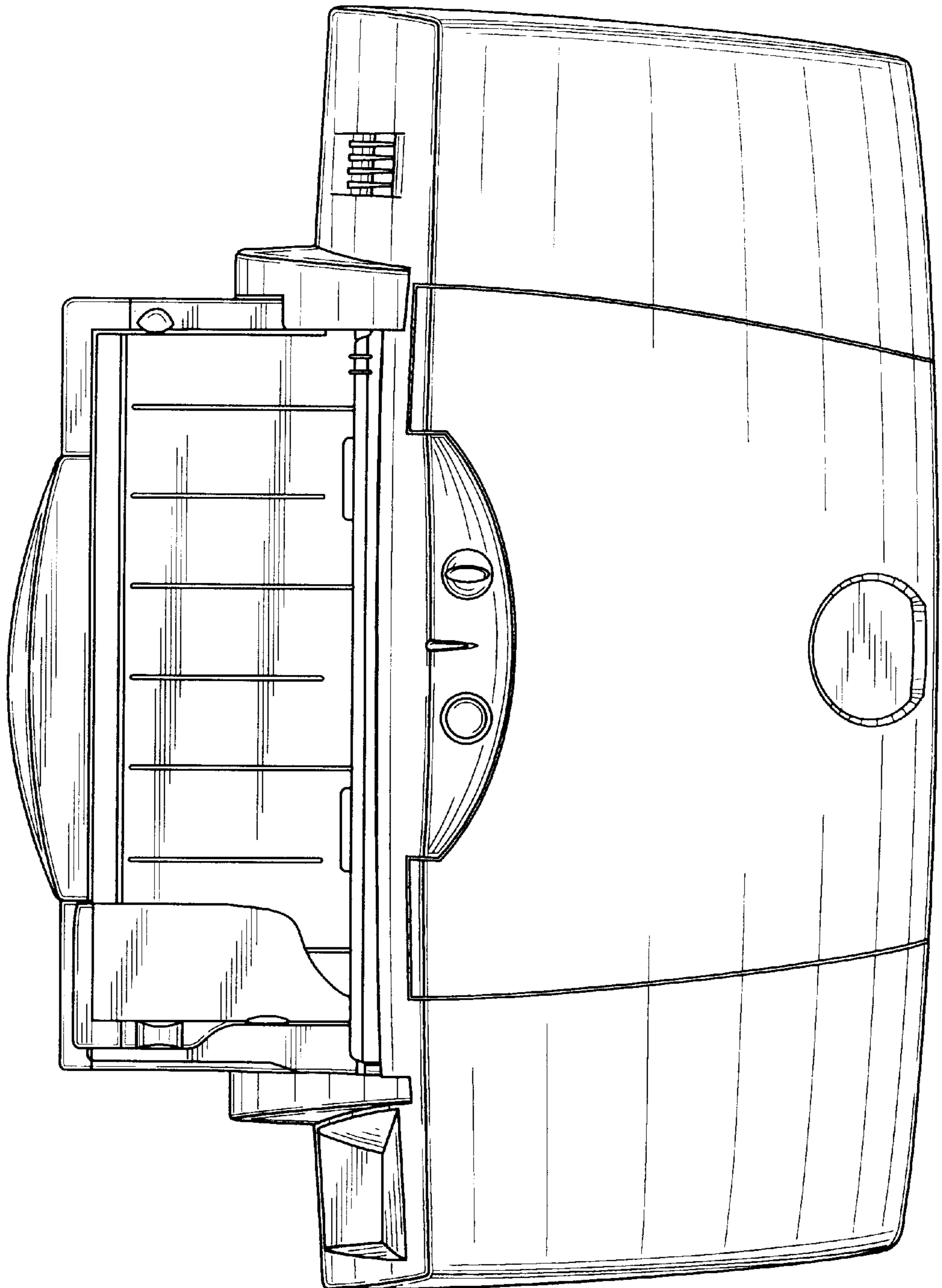


FIG. 4

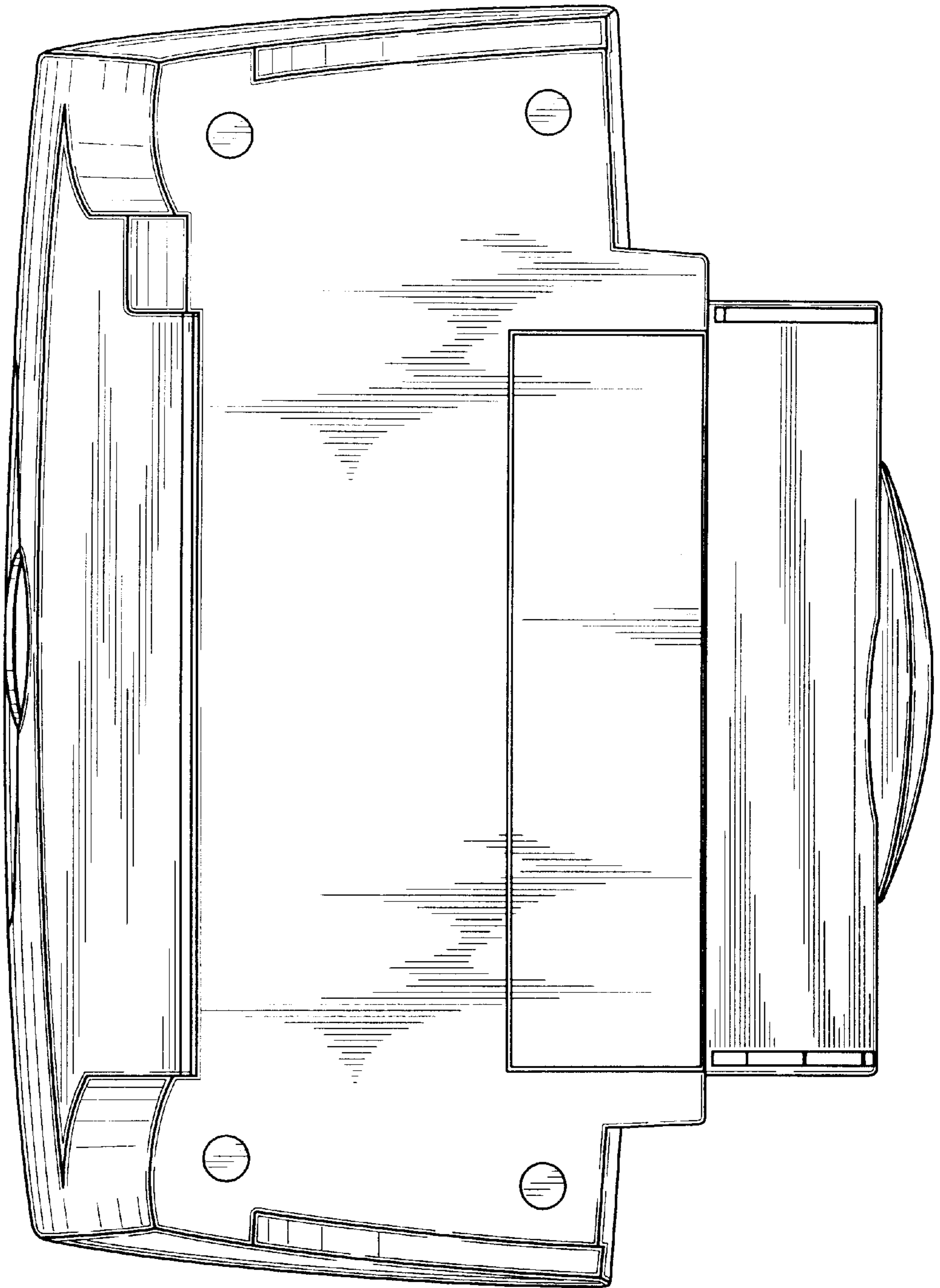


FIG. 5

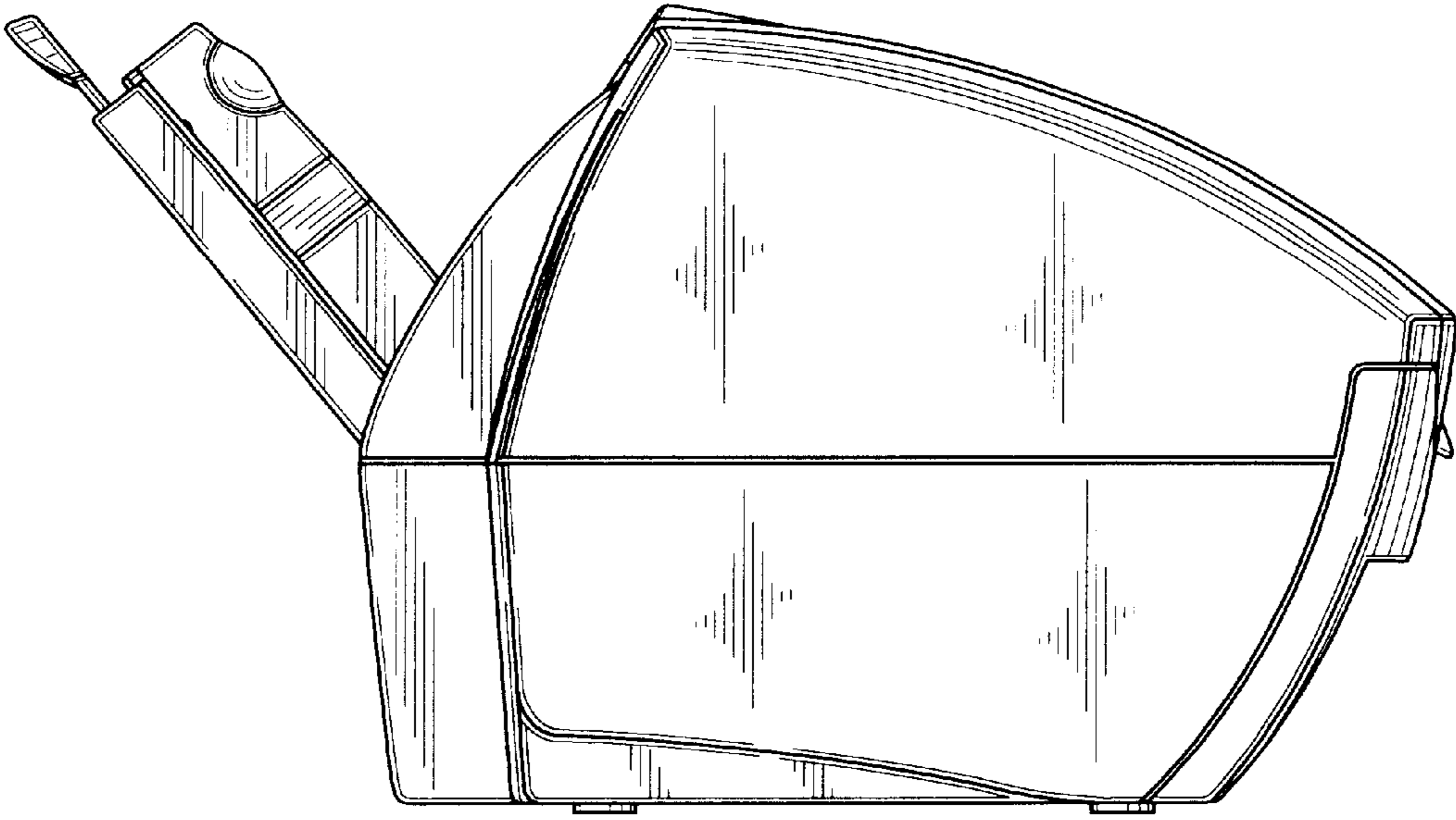


FIG. 6

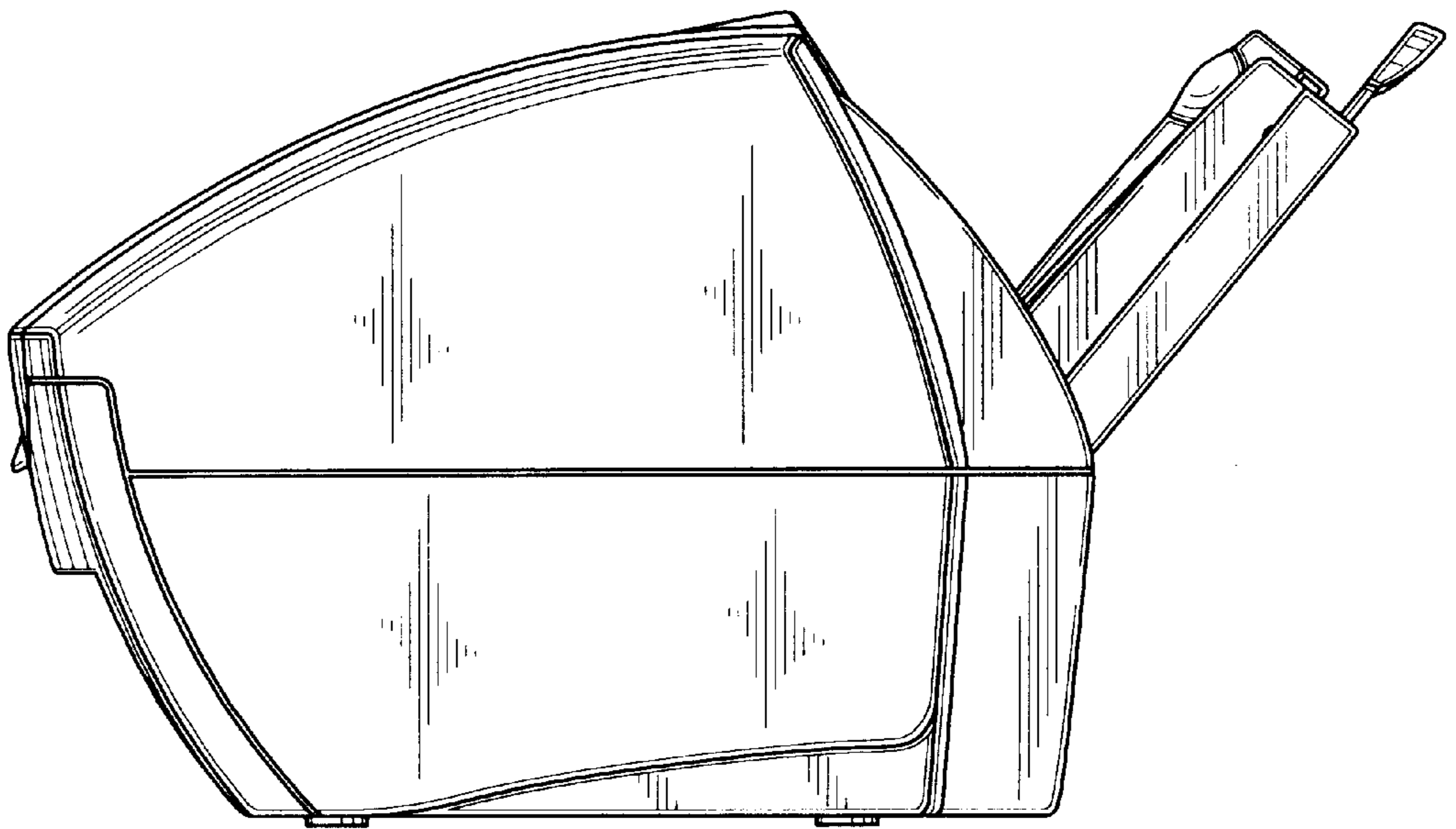


FIG. 7

