



US00D433442S

United States Patent [19] Clark, III

[11] **Patent Number: Des. 433,442**

[45] **Date of Patent: ** Nov. 7, 2000**

[54] **DESKTOP PRINTING MACHINE**

[75] Inventor: **William T. Clark, III**, Pittsford, N.Y.

[73] Assignee: **Xerox Corporation**, Stamford, Conn.

[**] Term: **14 Years**

[21] Appl. No.: **29/109,238**

[22] Filed: **Aug. 11, 1999**

[51] **LOC (7) Cl.** **14-02**

[52] **U.S. Cl.** **D18/55; 14/2**

[58] **Field of Search** D18/50, 54-55;
400/613, 613.1-613.4, 691-694, 690.1-690.4

D. 397,720 9/1998 Shimanuki D18/55
 D. 400,918 11/1998 Kobayashi et al. D18/55
 D. 411,228 6/1999 Kobayashi et al. D18/50
 D. 413,142 8/1999 Pangburn D18/55
 D. 419,591 1/2000 Pangburn D18/55
 D. 422,570 4/2000 Kobayashi D18/54
 D. 424,609 5/2000 Inoue et al. D18/54
 5,775,825 7/1998 Hong et al. 400/693

Primary Examiner—Cathy Anne MacCormac
Attorney, Agent, or Firm—Andrew D. Ryan

[57] CLAIM

The ornamental design for a desktop printing machine, as shown and described.

DESCRIPTION

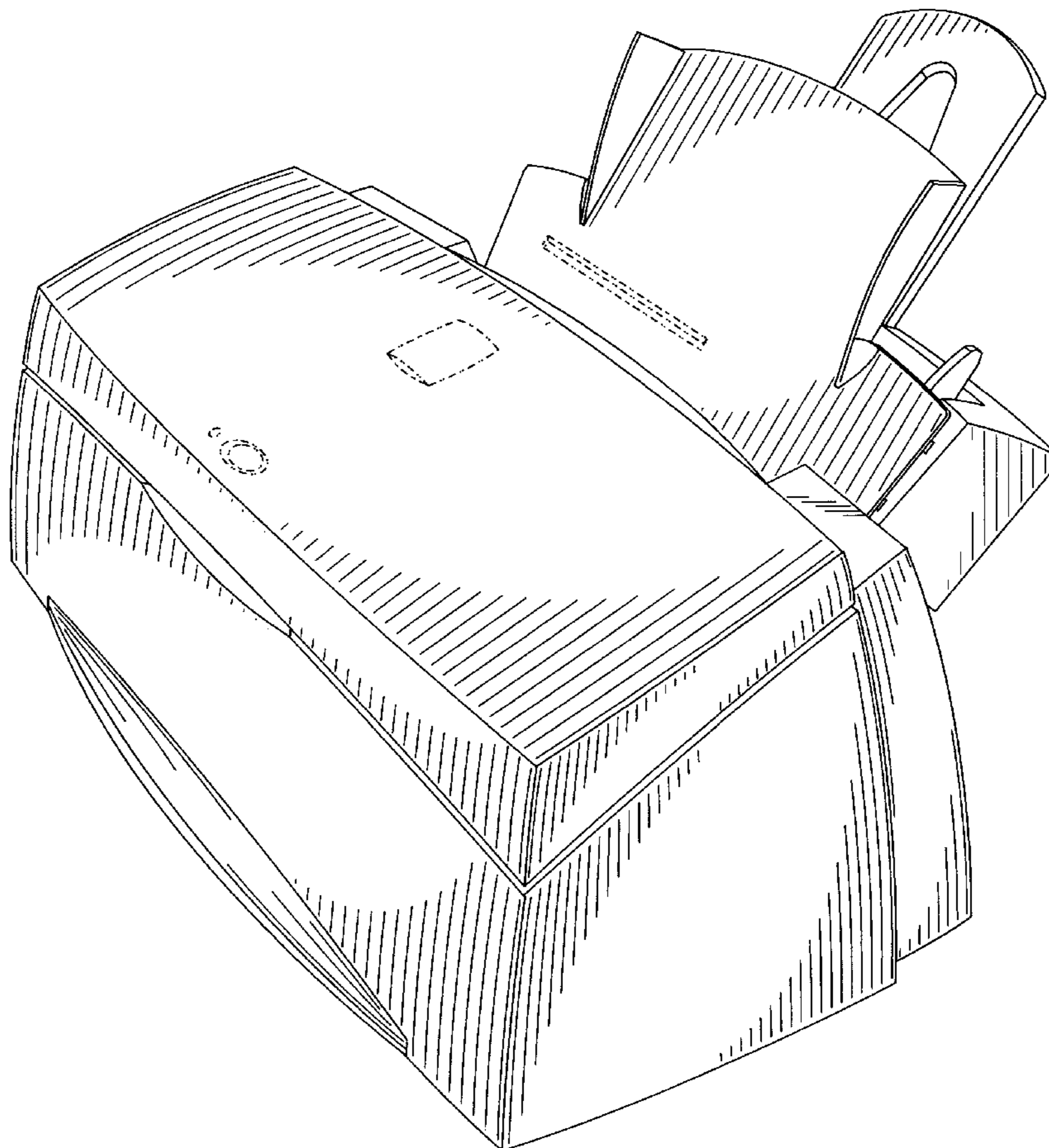
FIG. 1 is a perspective view of a desktop printing machine showing my new design;
 FIG. 2 is a front elevational view thereof;
 FIG. 3 is right side elevational view thereof;
 FIG. 4 is rear elevational view thereof;
 FIG. 5 is left side elevational view there; and,
 FIG. 6 is a top plan view thereof.
 The broken lines are for purposes of illustration only and form no part of the claimed design.

1 Claim, 6 Drawing Sheets

[56] **References Cited**

U.S. PATENT DOCUMENTS

D. 326,678 6/1992 Uchibori et al. D18/55
 D. 350,364 9/1994 Kawashima et al. D18/50
 D. 366,900 2/1996 Pangburn et al. D18/50
 D. 370,025 5/1996 Weng D18/50
 D. 378,378 3/1997 Nakazawa et al. D18/54
 D. 388,405 12/1997 Lin D18/50
 D. 390,258 2/1998 Kawahara et al. D18/55
 D. 390,597 2/1998 Igarashi et al. D18/55
 D. 395,332 6/1998 Leong et al. D18/55



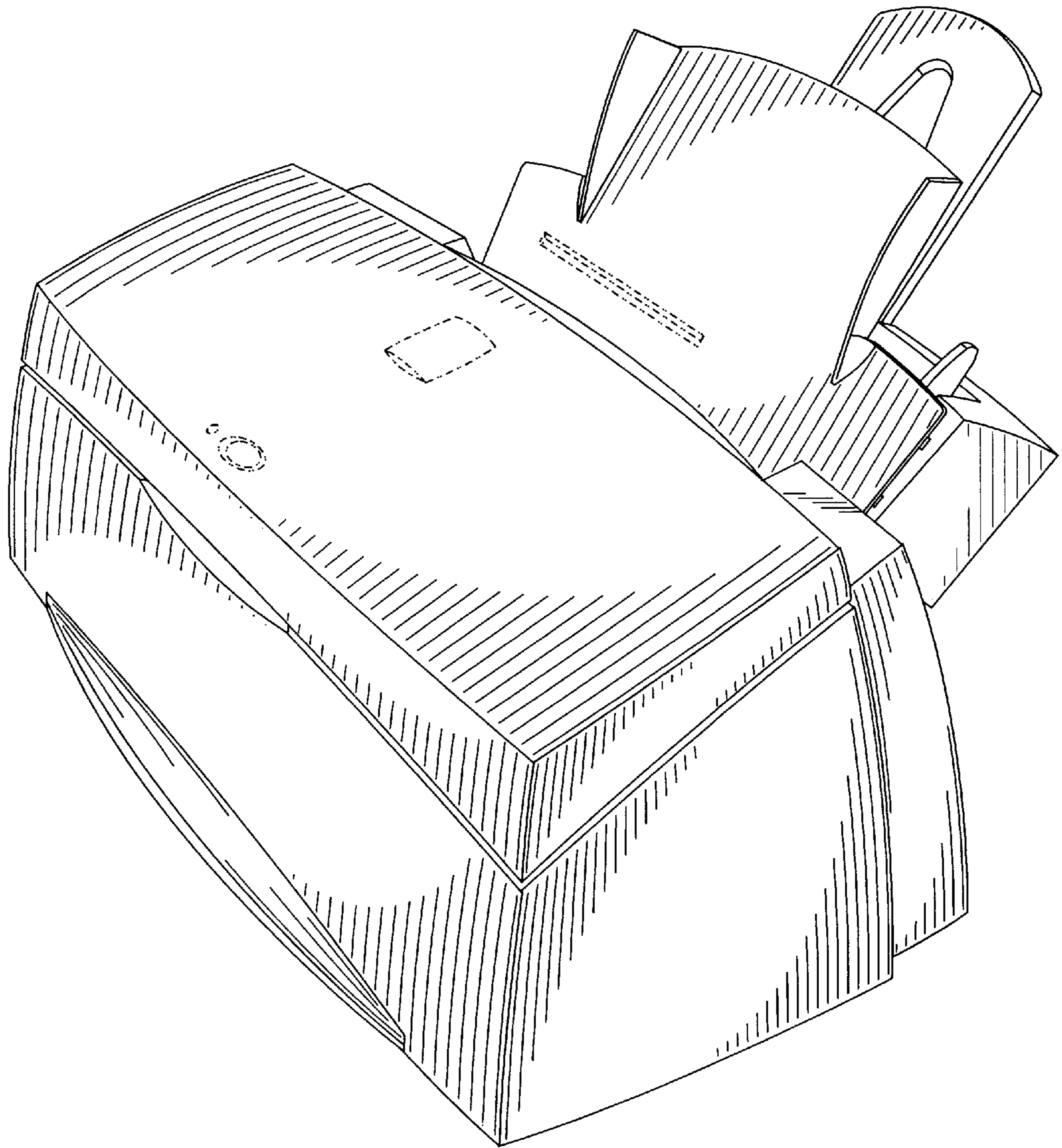


FIG. 1

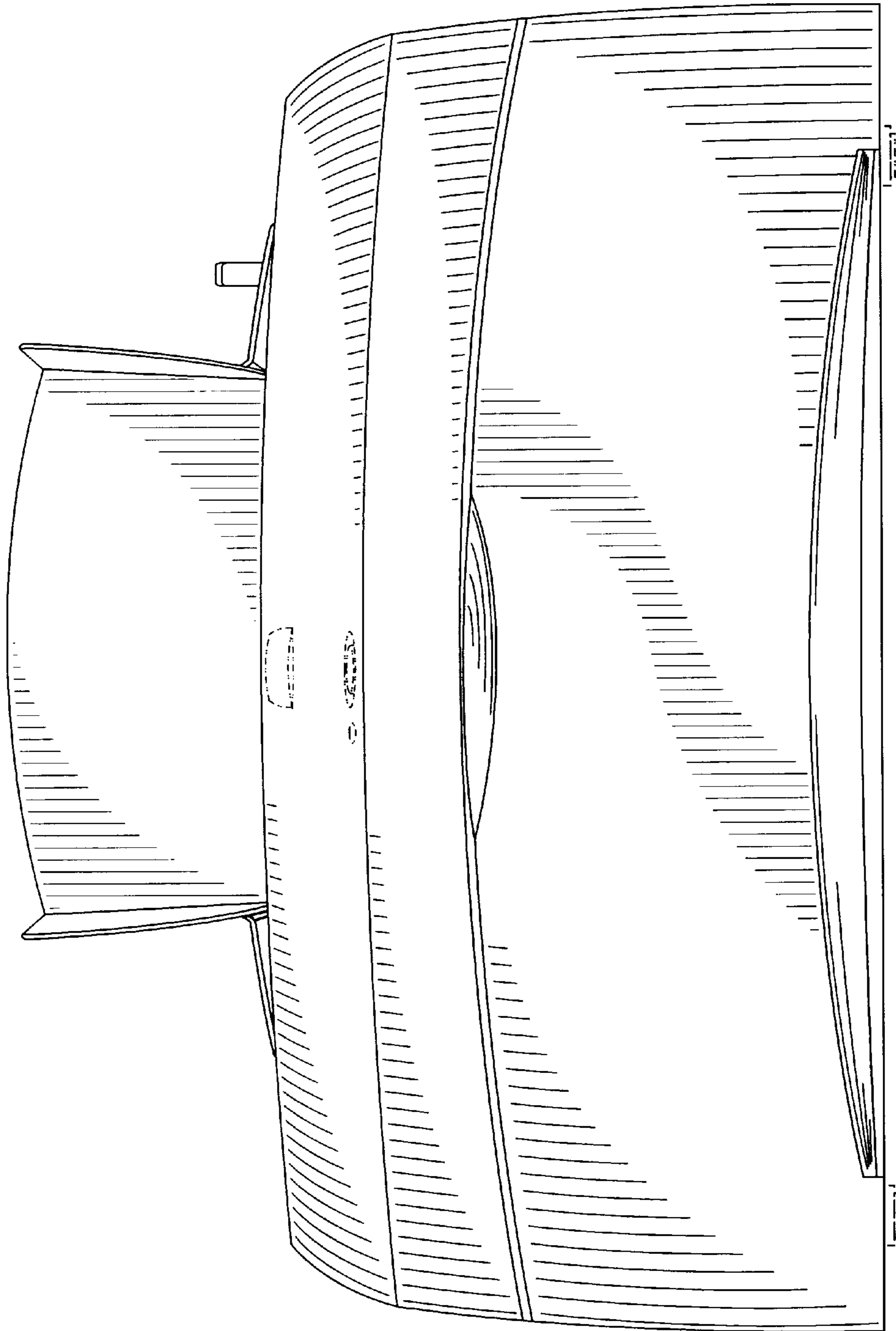


FIG. 2

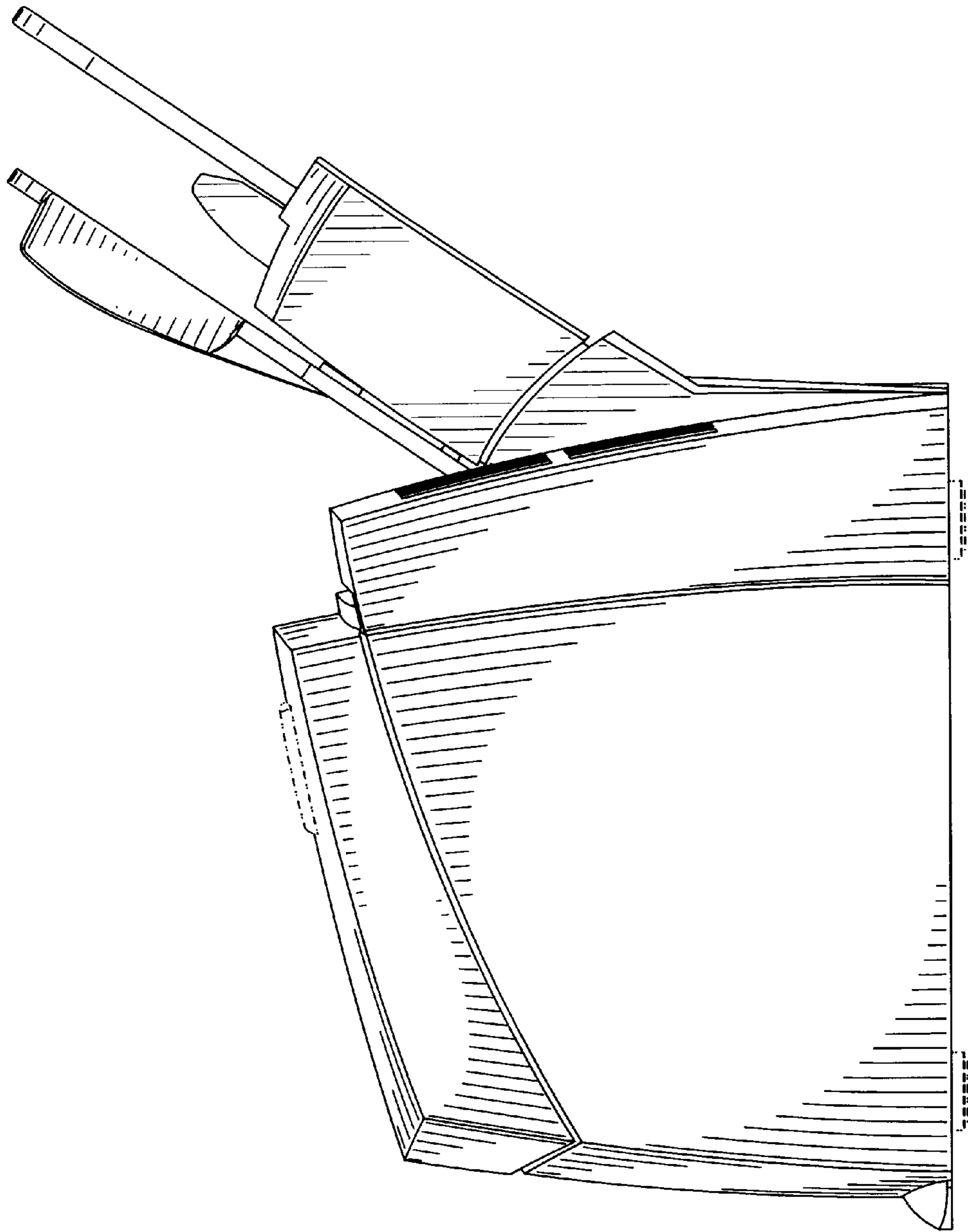


FIG. 3

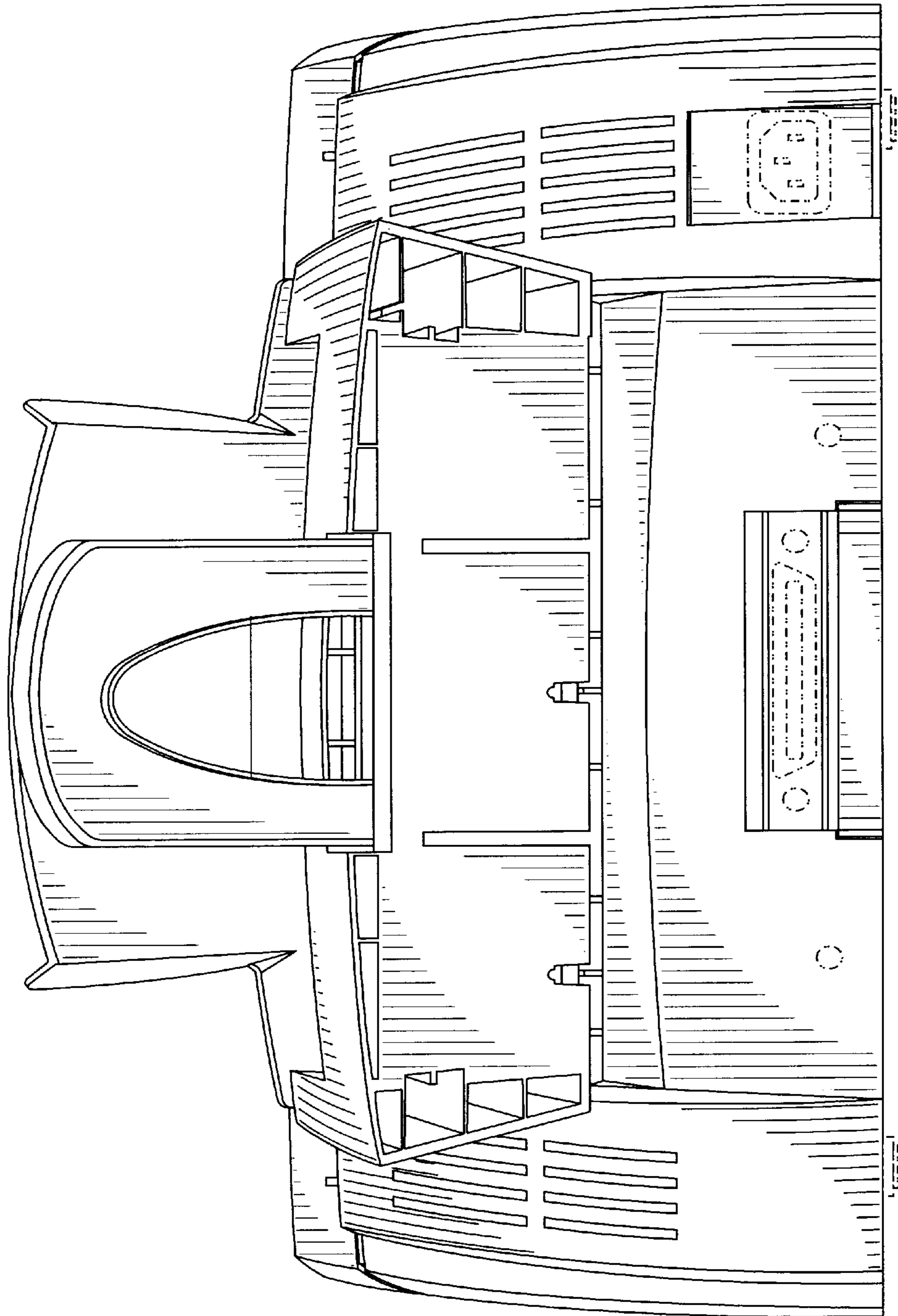


FIG. 4

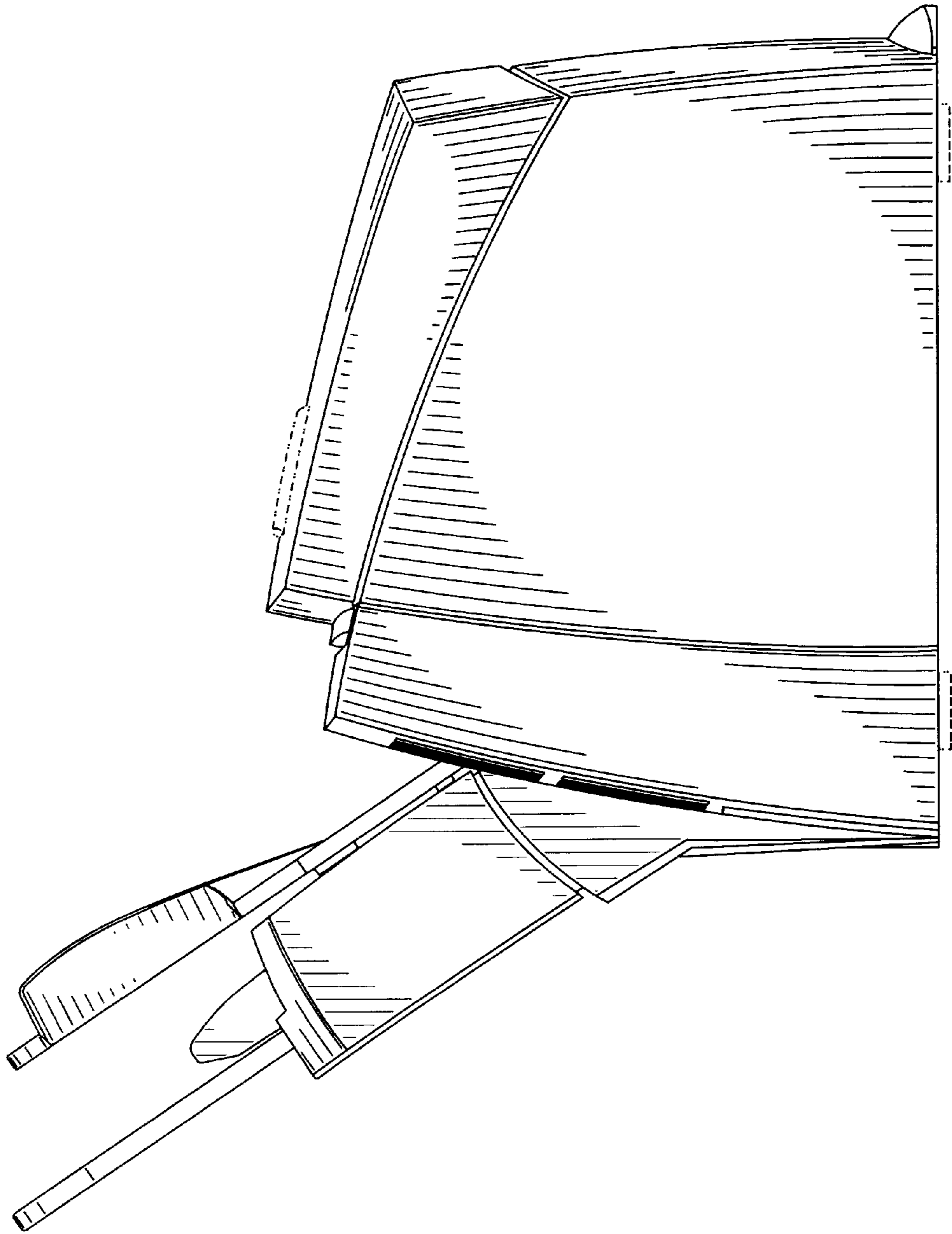


FIG. 5

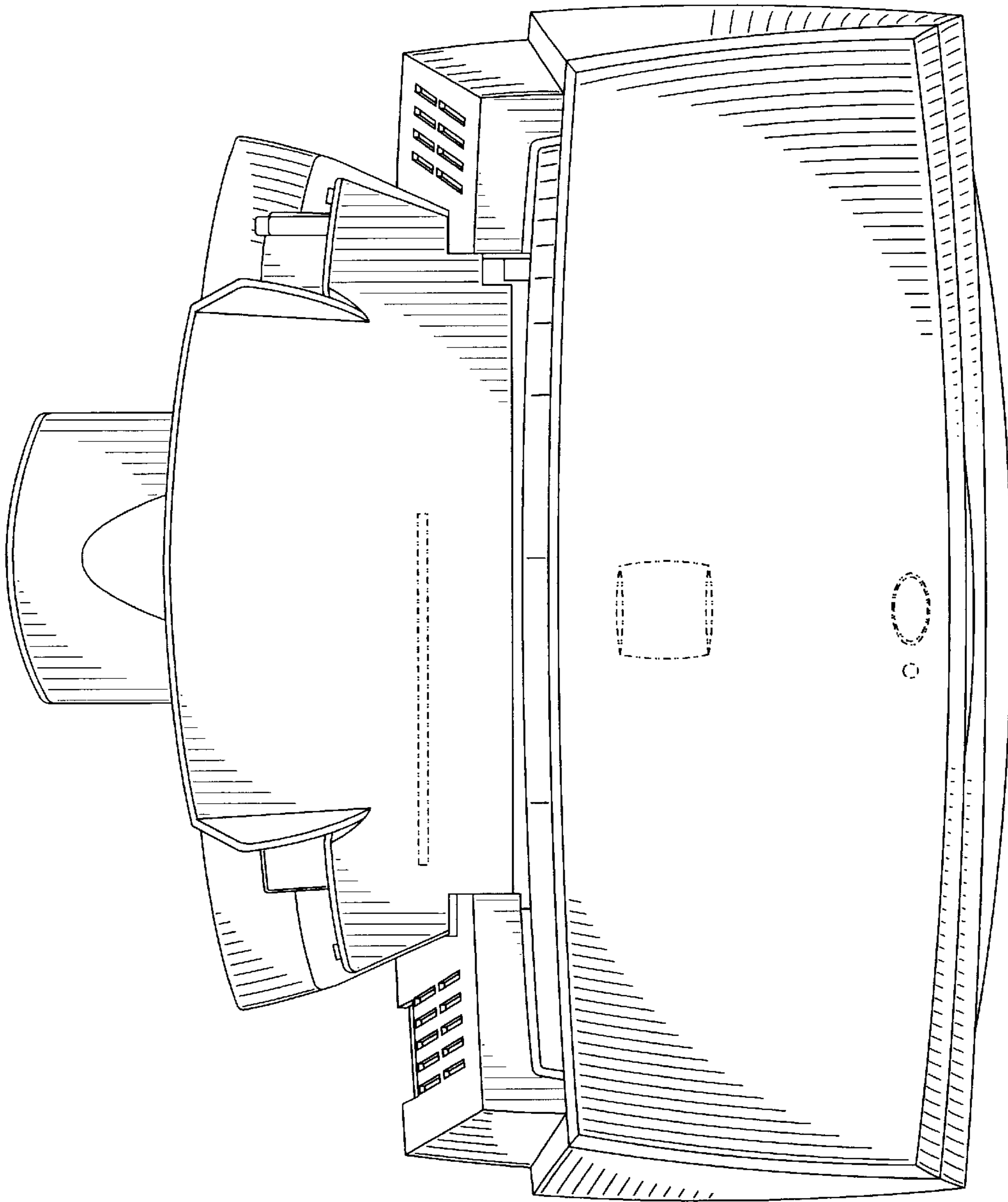


FIG. 6