



US00D433441S

United States Patent [19]

Yonekawa et al.

[11] Patent Number: **Des. 433,441**

[45] Date of Patent: **** Nov. 7, 2000**

[54] **TONER CARTRIDGE**

[75] Inventors: **Masahiro Yonekawa**, Machida;
Nahoko Aizawa, Kawasaki; **Hiroshi Hosokawa**, Yokohama; **Tetsuo Yamanaka**, Tokyo, all of Japan

[73] Assignee: **Ricoh Company, Ltd.**, Tokyo, Japan

[**] Term: **14 Years**

[21] Appl. No.: **29/097,025**

[22] Filed: **Nov. 25, 1998**

[51] **LOC (7) Cl.** **16-03**

[52] **U.S. Cl.** **D18/43**

[58] **Field of Search** D18/36, 40, 43;
399/24, 25, 27, 28, 106, 110, 113, 262;
222/DIG. 1

[56] **References Cited**

U.S. PATENT DOCUMENTS

D. 287,023 12/1986 Masaki D18/40

D. 310,682 9/1990 Tsumuro D18/40
D. 422,626 4/2000 Kurosawa et al. D18/43
5,815,644 9/1998 Nishiuwatoko et al. 399/113

Primary Examiner—Caron D. Veynar
Attorney, Agent, or Firm—Dickstein Shapiro Morin & Oshinsky LLP

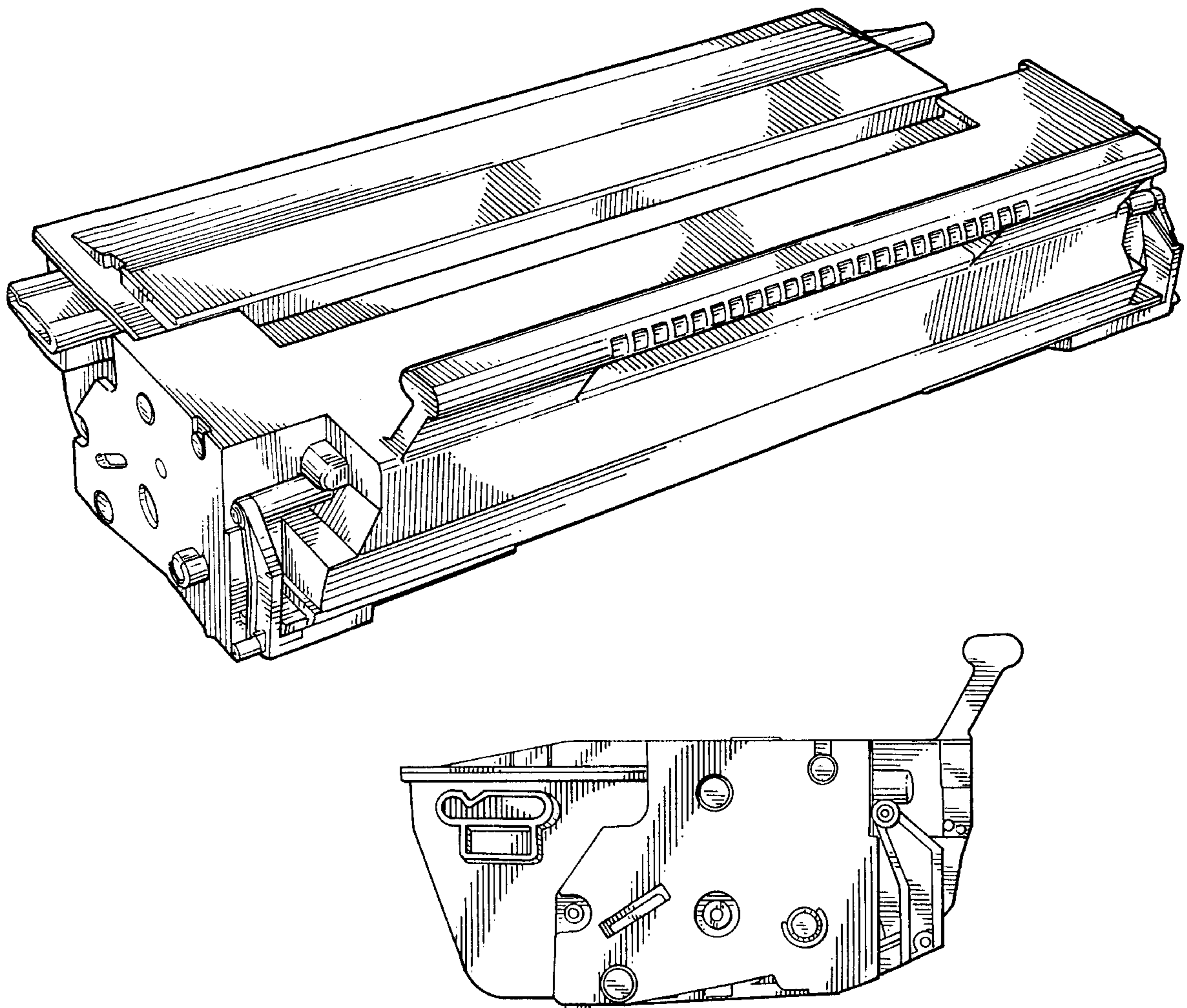
[57] **CLAIM**

The ornamental design for toner cartridge, as shown and described.

DESCRIPTION

FIG. 1 is a top, front and left side perspective view of a toner cartridge showing our new design;
FIG. 2 is a front perspective view thereof;
FIG. 3 is a top perspective view thereof;
FIG. 4 is a bottom perspective view thereof;
FIG. 5 is a rear perspective view thereof;
FIG. 6 is a right side perspective view thereof; and,
FIG. 7 is a left side perspective view thereof.

1 Claim, 6 Drawing Sheets



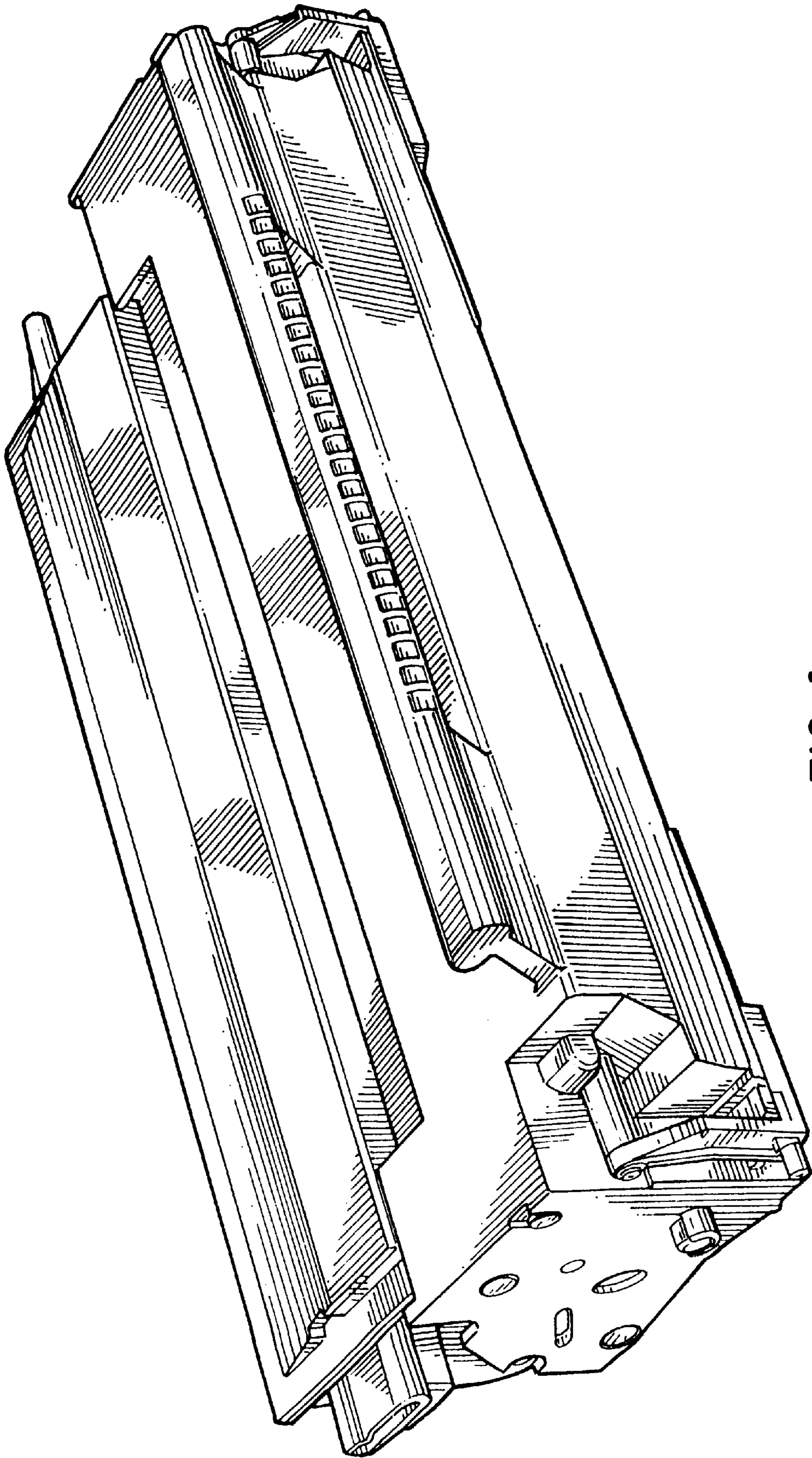


FIG. 1

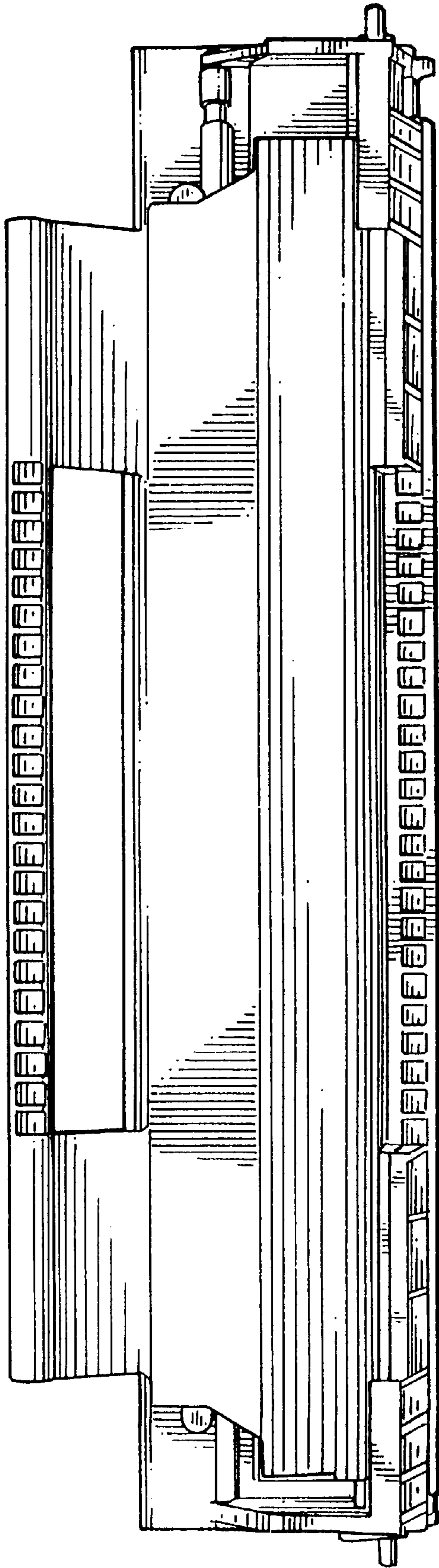


FIG. 2

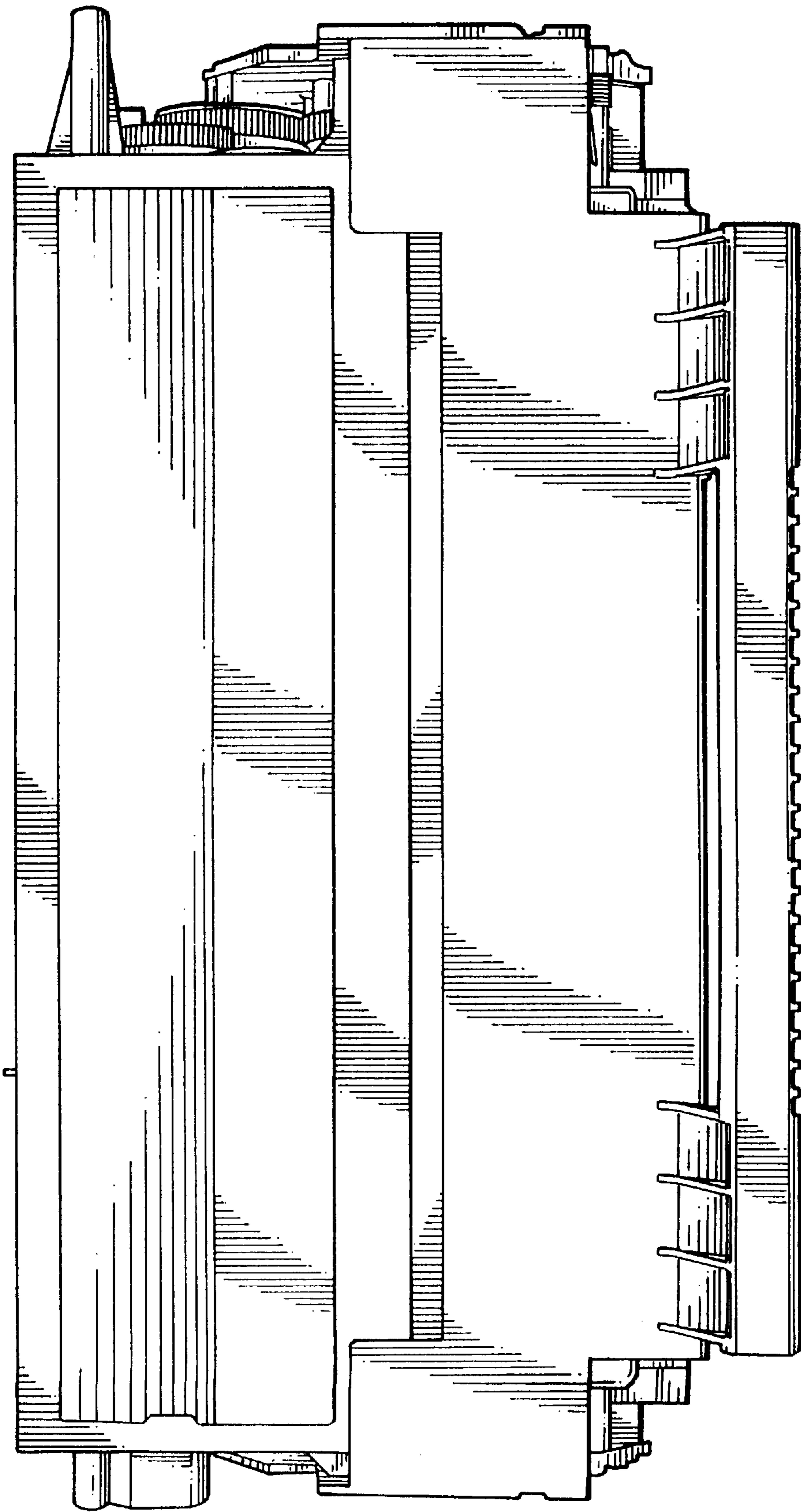


FIG. 3

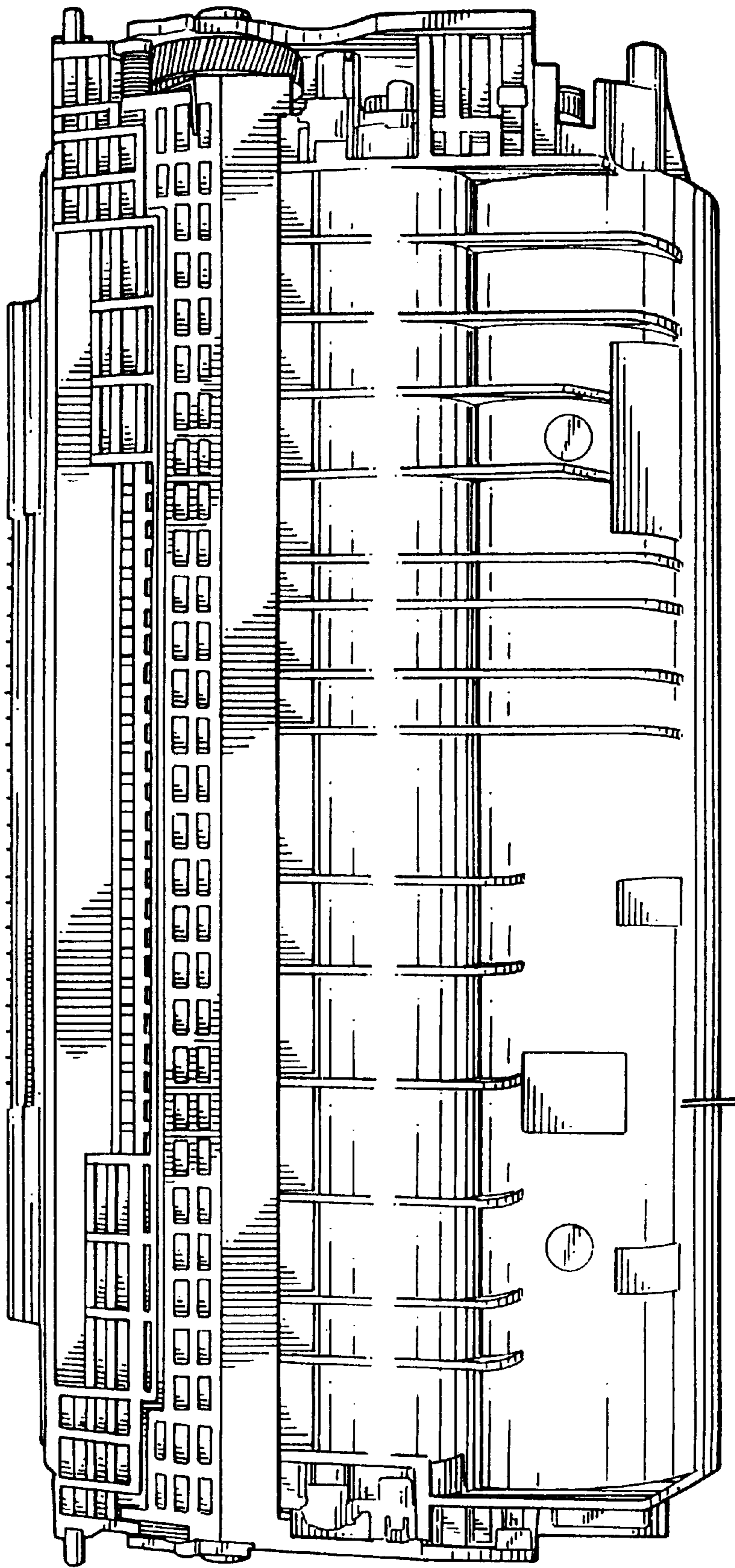


FIG.4

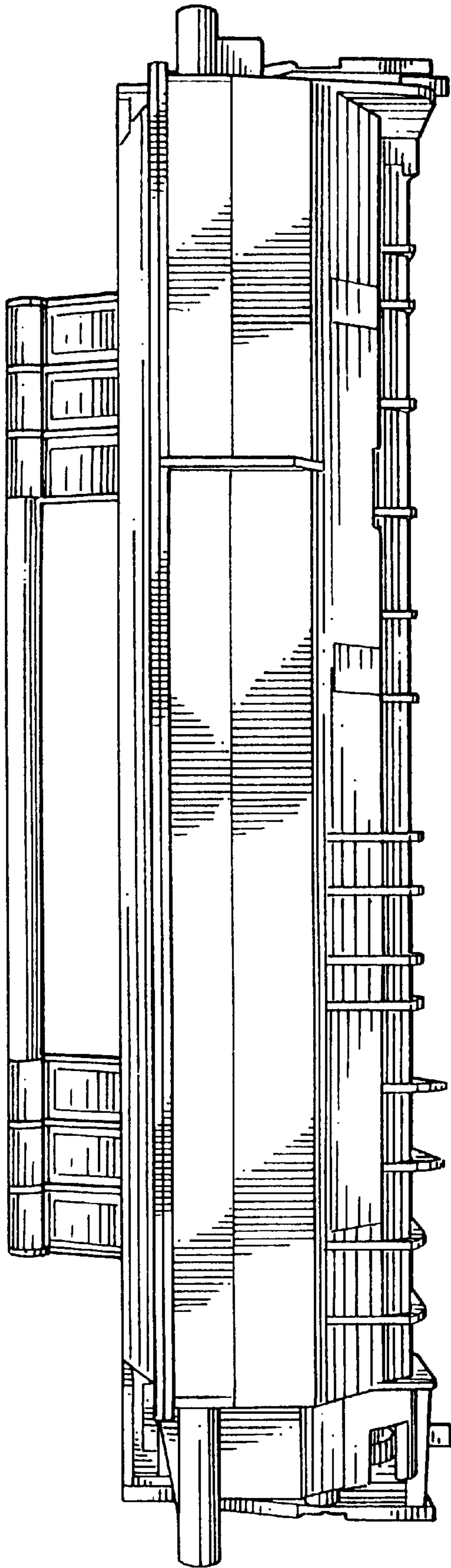


FIG. 5

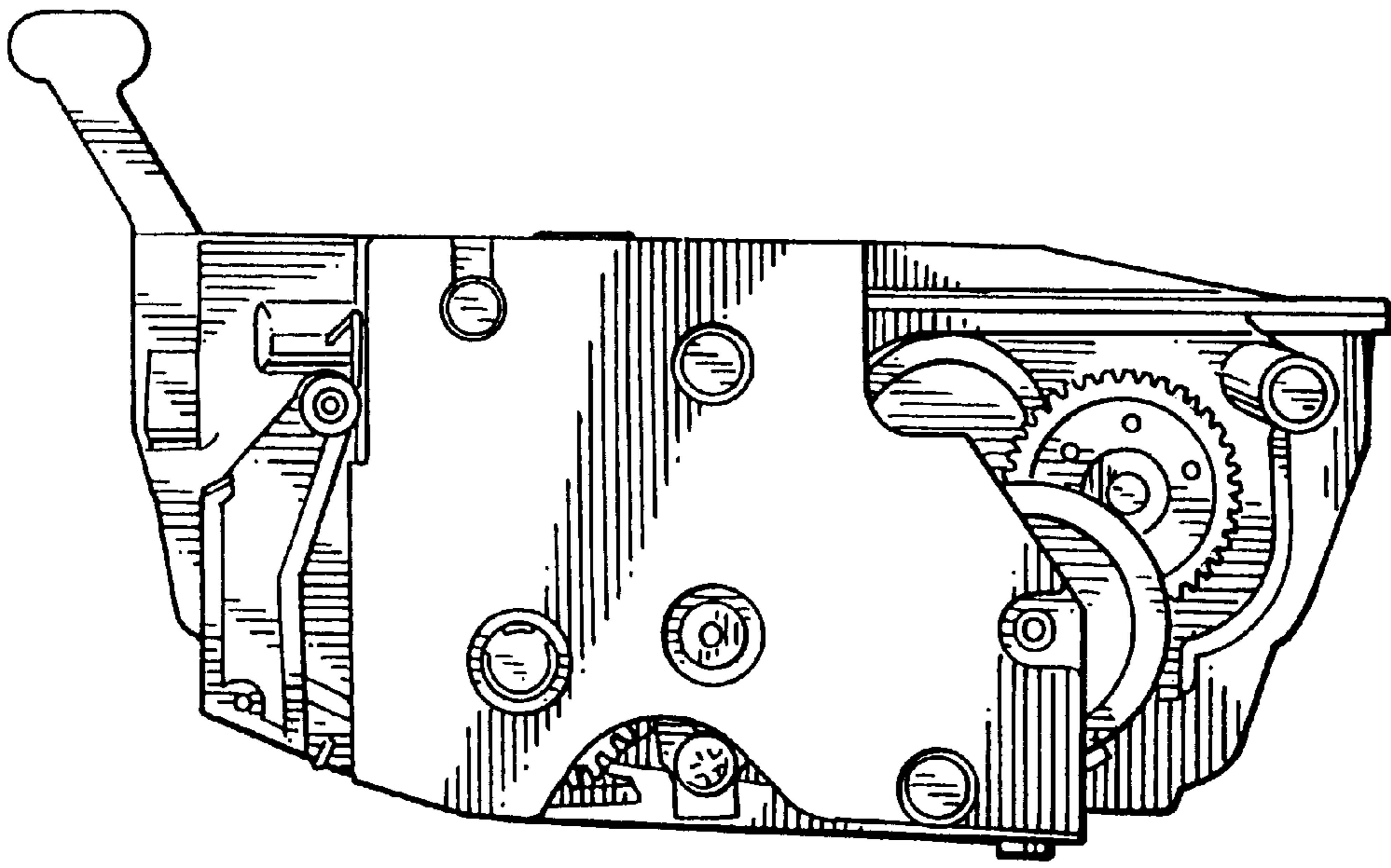


FIG. 6

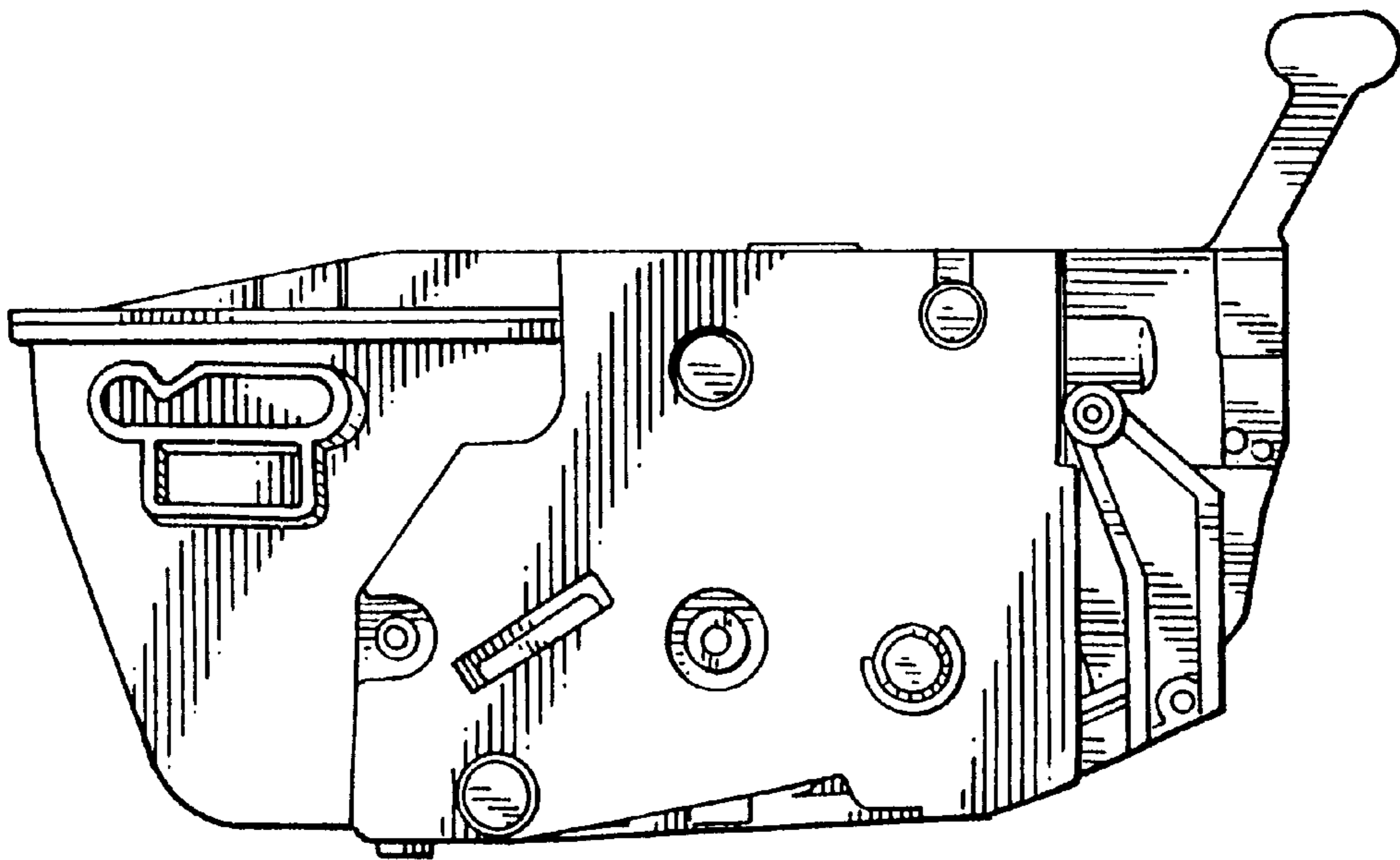


FIG. 7