



US00D433439S

United States Patent [19]

Yoshida et al.

[11] Patent Number: **Des. 433,439**

[45] Date of Patent: **** Nov. 7, 2000**

[54] **COMBINED PRINTER AND SCANNER**

D. 404,419 1/1999 Kusanagi D18/39

[75] Inventors: **Kenzoh Yoshida; Takaaki Kuwabara; Keiichi Takao**, all of Nara-ken, Japan

Primary Examiner—Caron D. Veynar
Attorney, Agent, or Firm—Nixon & Vanderhye P.C.

[73] Assignee: **Sharp Kabushiki Kaisha**, Osaka, Japan

[57] **CLAIM**

[**] Term: **14 Years**

The ornamental design for a combined printer and scanner, as shown and described.

[21] Appl. No.: **29/121,858**

DESCRIPTION

[22] Filed: **Apr. 17, 2000**

[30] **Foreign Application Priority Data**

Nov. 12, 1999 [JP] Japan 11-31275

FIG. 1 is a top, front and right side perspective view of a combined printer and scanner according to our design;

[51] **LOC (7) Cl.** **16-03**

FIG. 2 is a front elevational view thereof;

[52] **U.S. Cl.** **D18/36; D18/54; D14/421**

FIG. 3 is a rear elevational view thereof;

[58] **Field of Search** D18/36-39, 50,
D18/54, 55; D14/420, 421, 424, 425; 399/16,
151

FIG. 4 is a top plan view thereof;

FIG. 5 is a bottom plan view thereof;

FIG. 6 is a right side elevational view thereof; and,

FIG. 7 is a left side elevational view thereof.

[56] **References Cited**

U.S. PATENT DOCUMENTS

D. 331,595 12/1992 Ishida D18/38

1 Claim, 6 Drawing Sheets

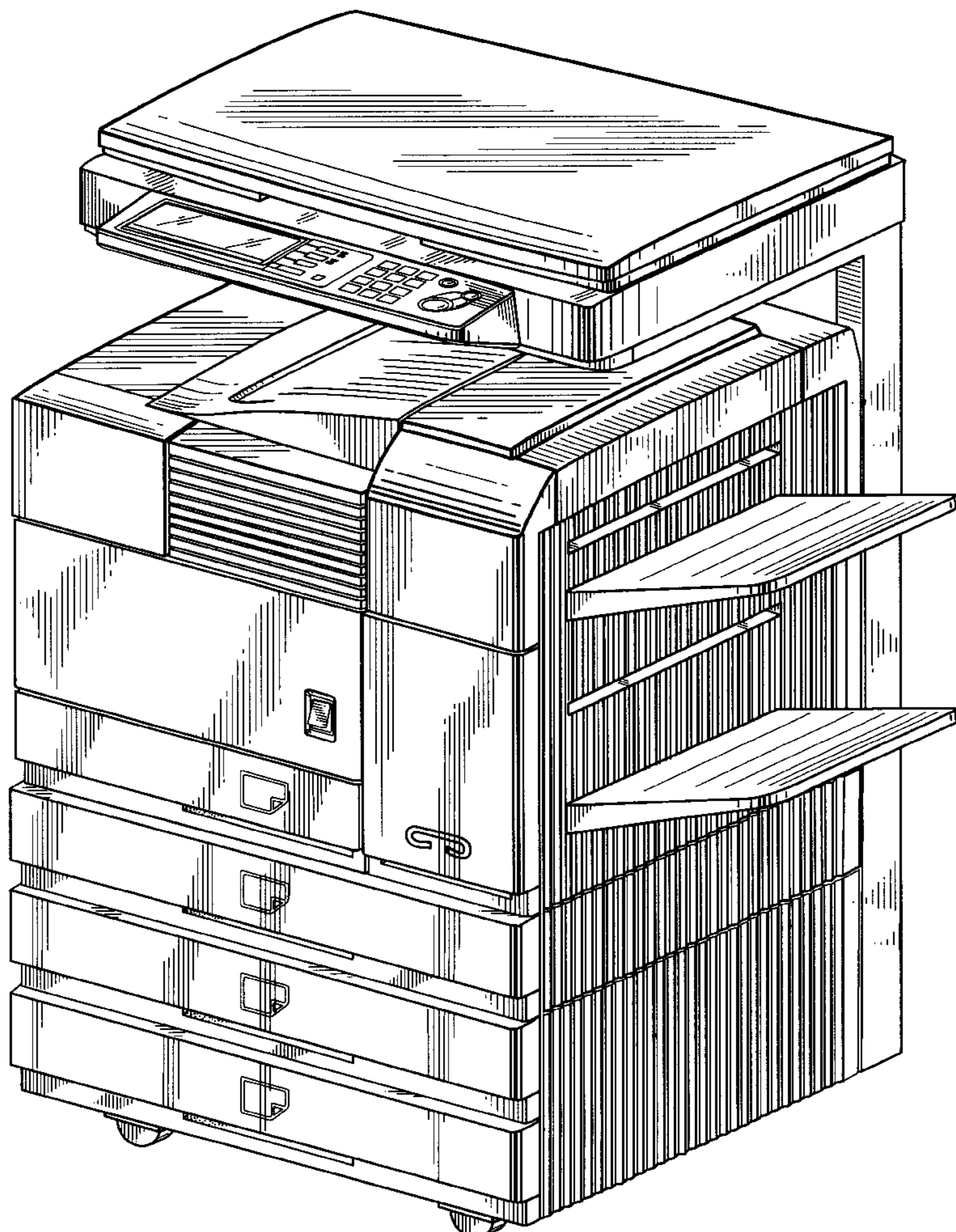


FIG. 1

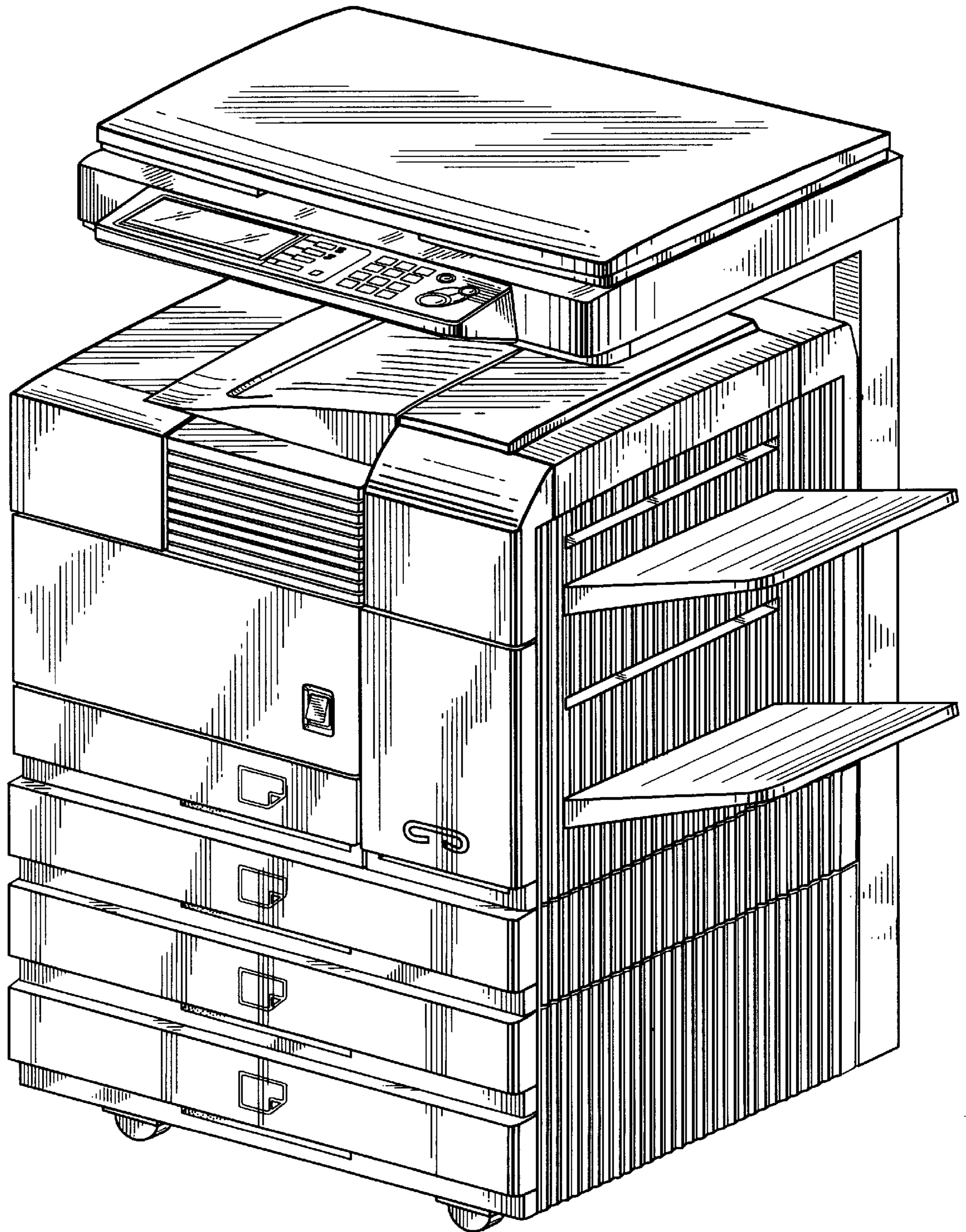


FIG. 2

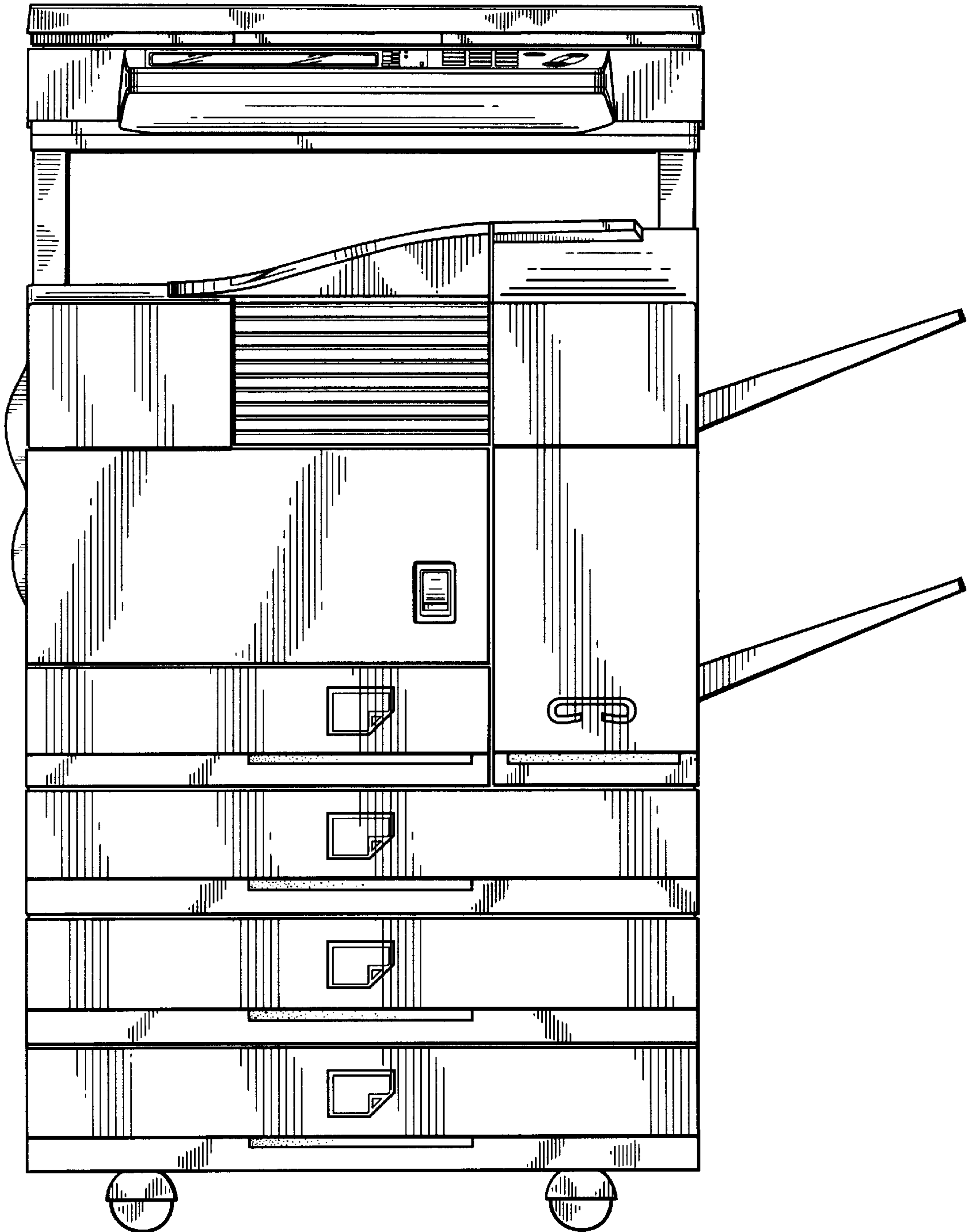
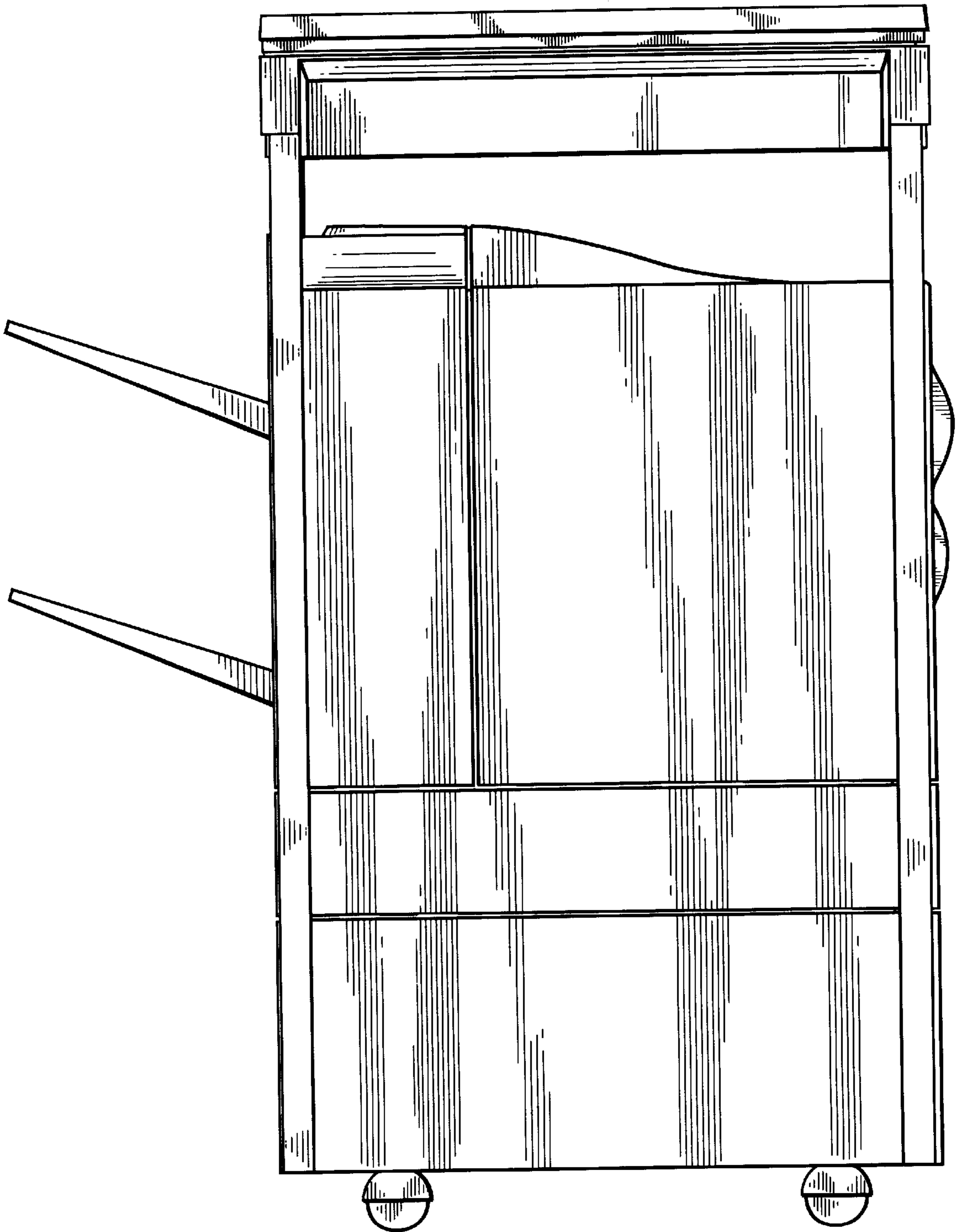


FIG. 3



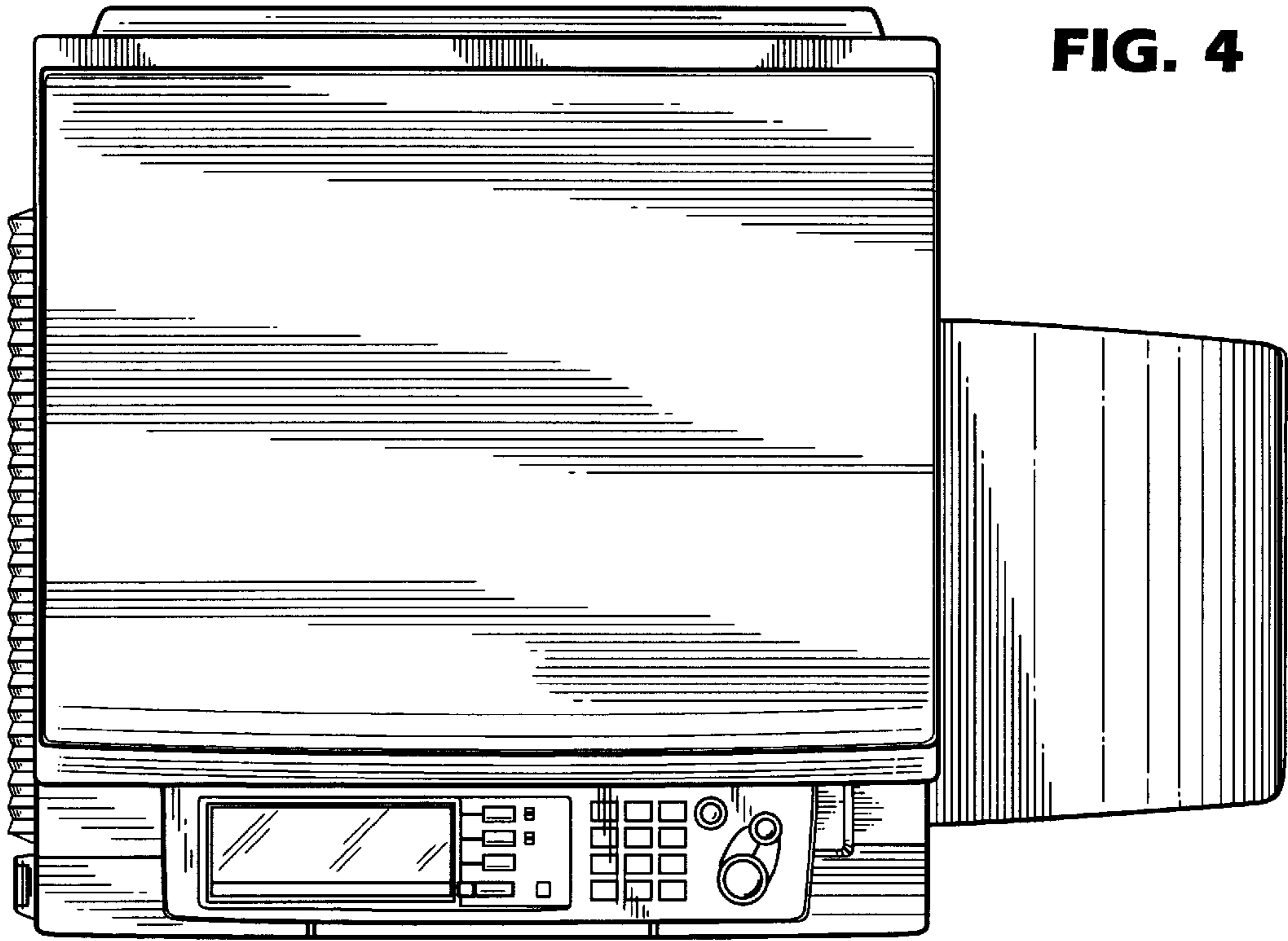


FIG. 4

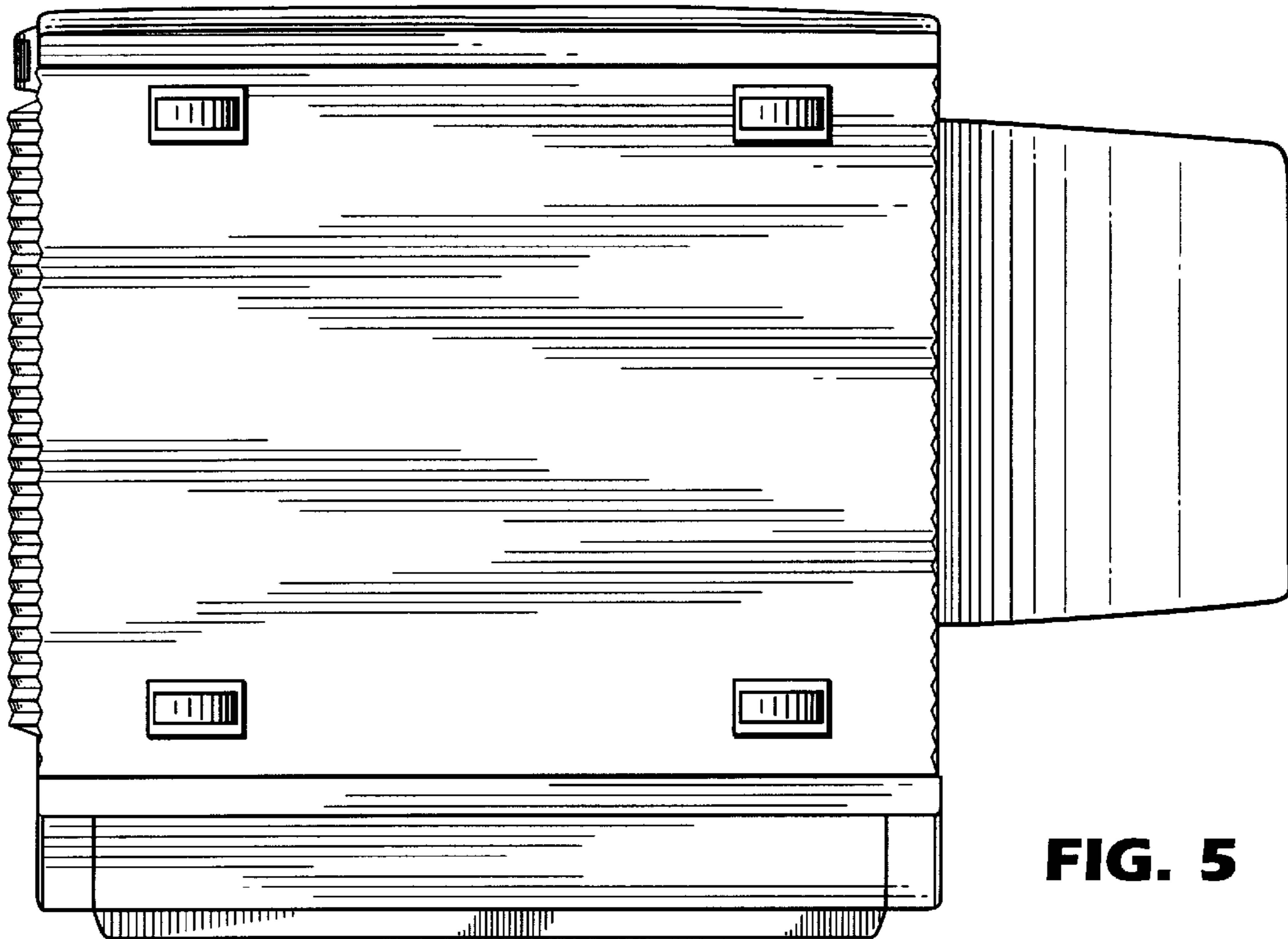


FIG. 5

FIG. 6

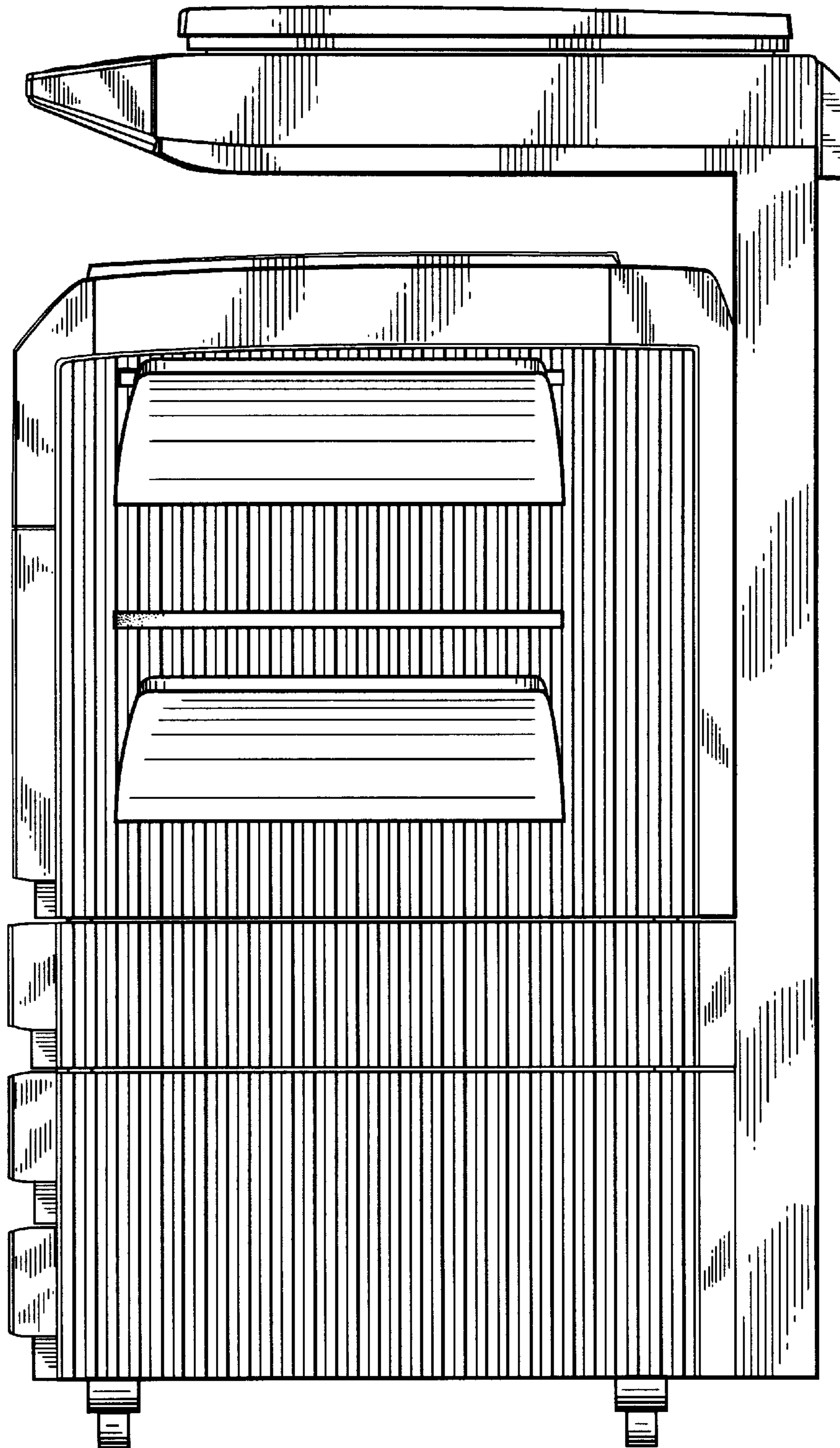


FIG. 7

