



US00D433436S

# United States Patent [19]

[11] **Patent Number: Des. 433,436**

Unertl

[45] **Date of Patent: \*\* Nov. 7, 2000**

[54] **DISPOSABLE CAMERA RETAINER FOR AN ARCHERY BOW**

5,611,234 3/1997 Kursinsky ..... 124/86

[76] Inventor: **Russell J. Unertl**, 112 Mill St., Neosho, Wis. 53059

*Primary Examiner*—Adir Aronovich  
*Attorney, Agent, or Firm*—Donald J. Ersler

[\*\*] Term: **14 Years**

[57] **CLAIM**

[21] Appl. No.: **29/103,719**

The ornamental design for a disposable camera retainer for an archery bow, as shown and described.

[22] Filed: **Apr. 19, 1999**

**DESCRIPTION**

[51] **LOC (7) Cl.** ..... **16-05**

FIG. 1 is a perspective view of a disposable camera retainer for an archery bow incorporating my new design;  
FIG. 2 is a reduced left elevation view thereof attached to a bow and retaining a camera;  
FIG. 3 is a right elevation view thereof;  
FIG. 4 is a rear elevation view thereof;  
FIG. 5 is a front elevation view thereof retaining a camera;  
FIG. 6 is a bottom plan view thereof; and,  
FIG. 7 is a top plan view thereof.

[52] **U.S. Cl.** ..... **D16/242; D22/107; D22/199; 396/426**

[58] **Field of Search** ..... D16/242, 243, D16/237; D22/107, 199; 124/23.1, 86, 88; 224/908, 916; 396/420, 426, 429

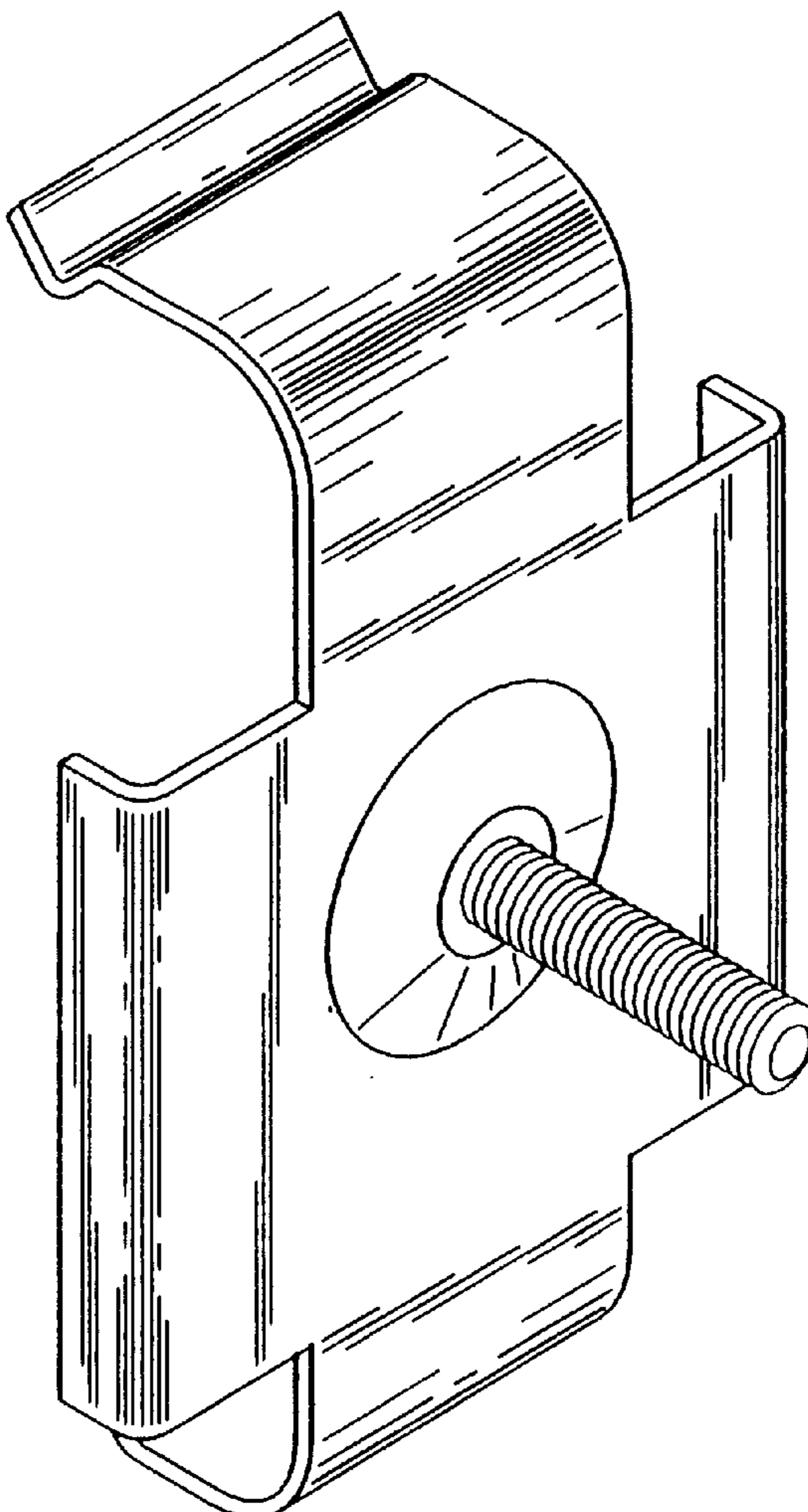
[56] **References Cited**

**U.S. PATENT DOCUMENTS**

- D. 367,284 2/1996 Hoerter ..... D16/242
- D. 414,835 10/1999 Otteman et al. .... D22/199
- 4,296,725 10/1981 Broderick ..... 124/23.1
- 4,643,159 2/1987 Ryan ..... 124/88

The broken lines shown in FIGS. 2 and 5 are for environmental purposes only and form no part of the claimed design.

**1 Claim, 2 Drawing Sheets**



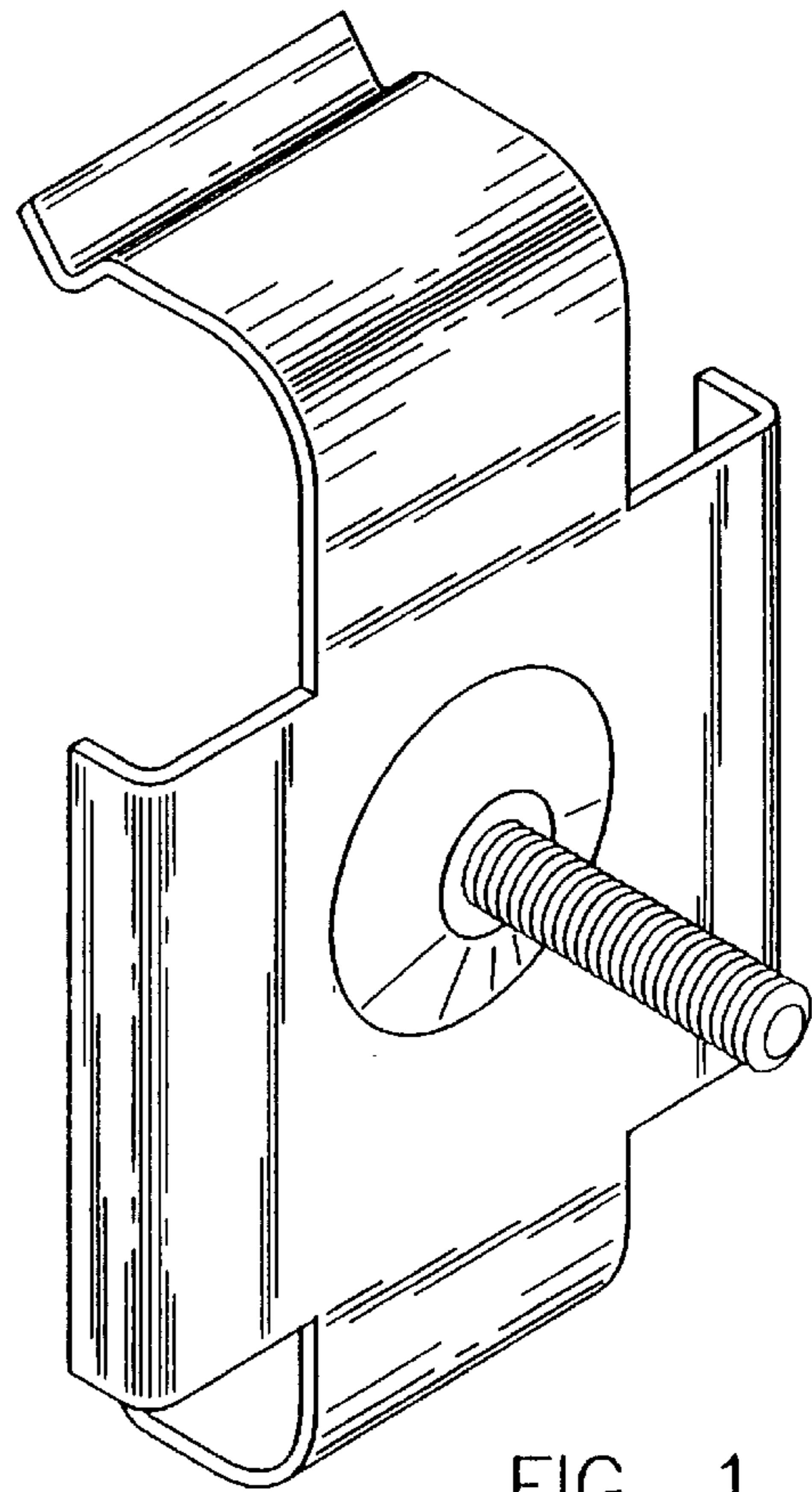
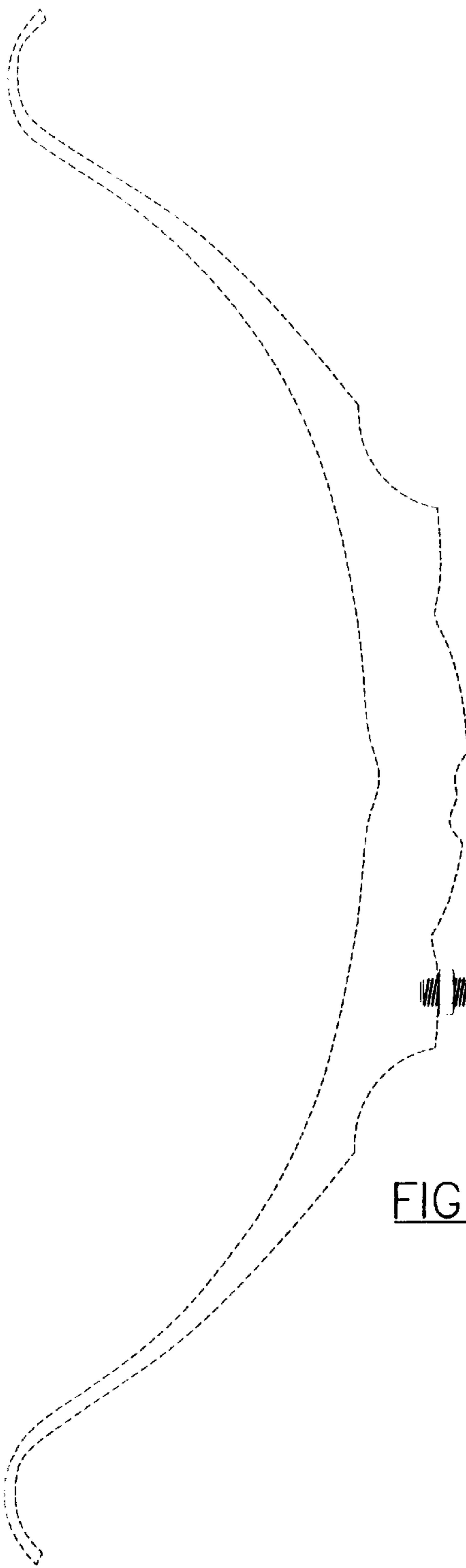


FIG. 1

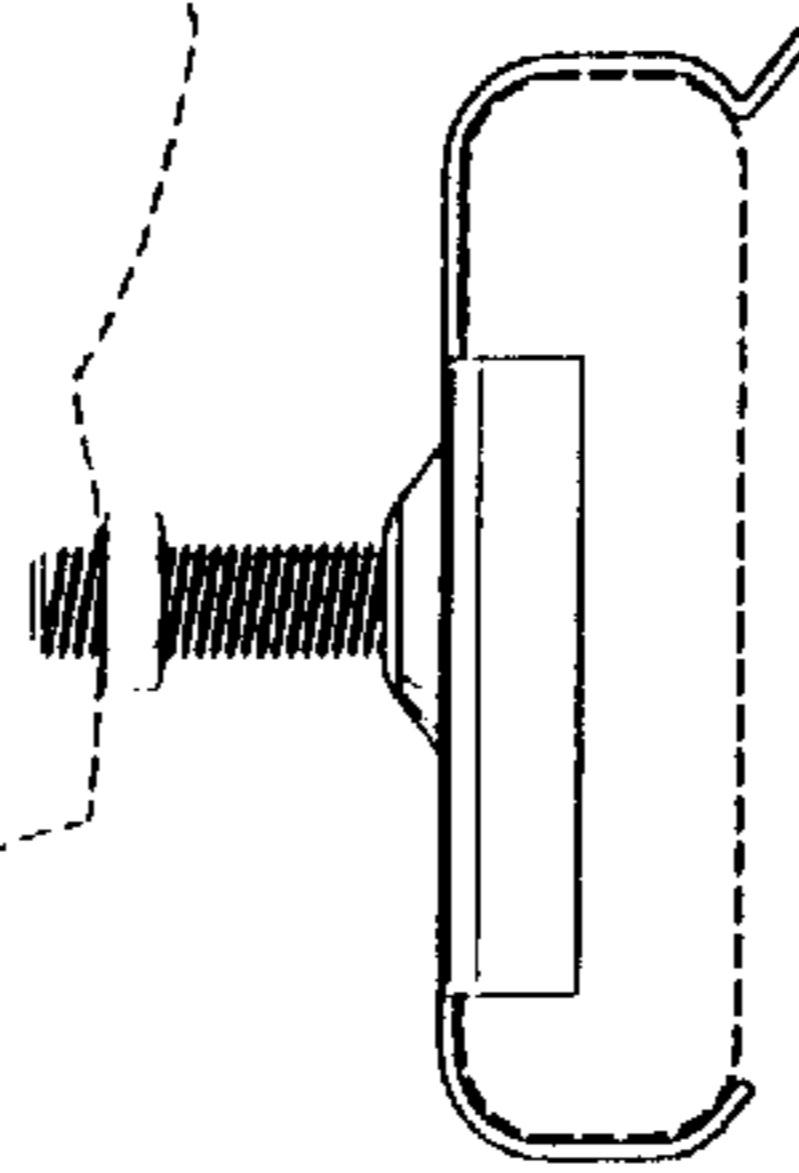


FIG. 2

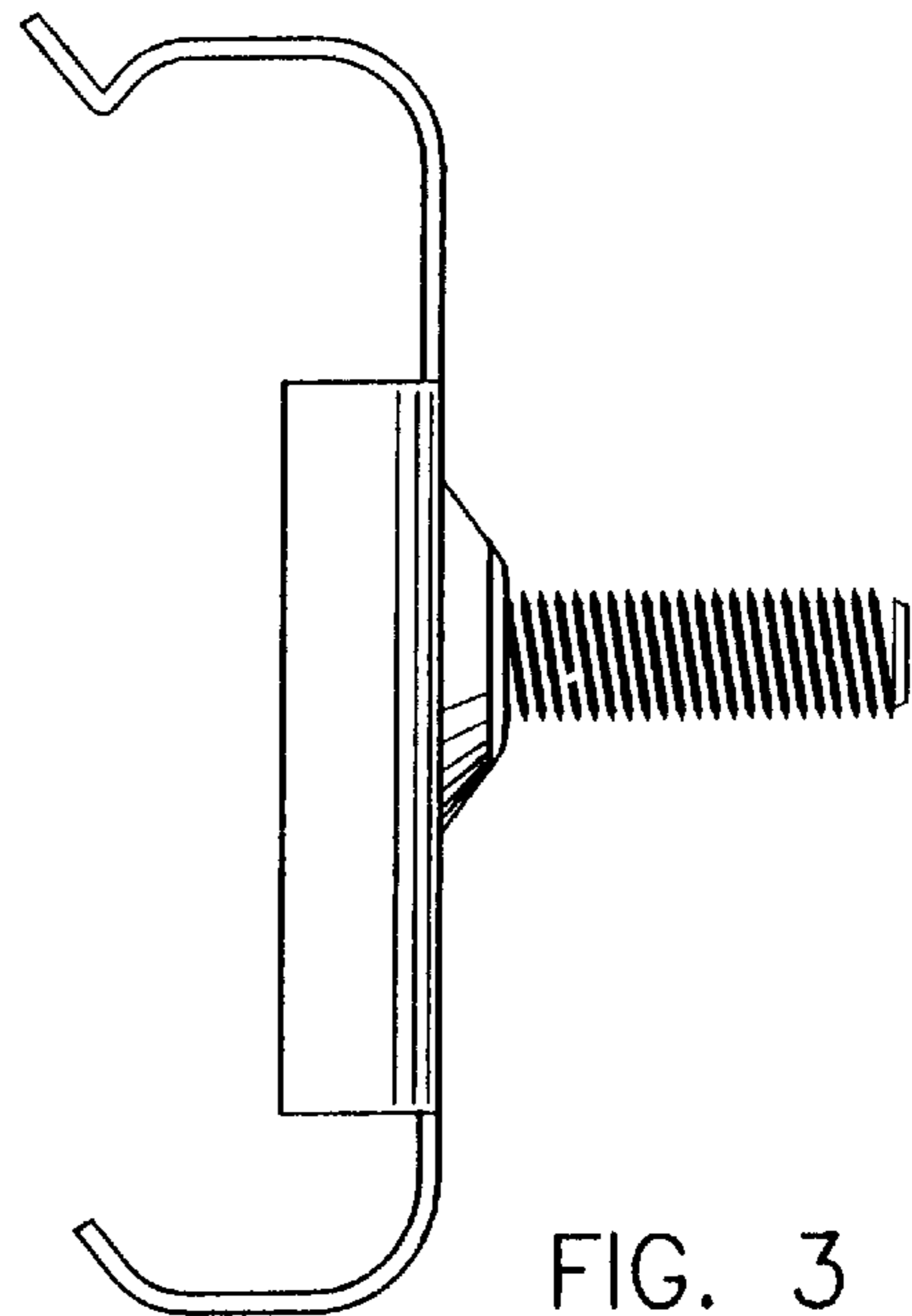


FIG. 3

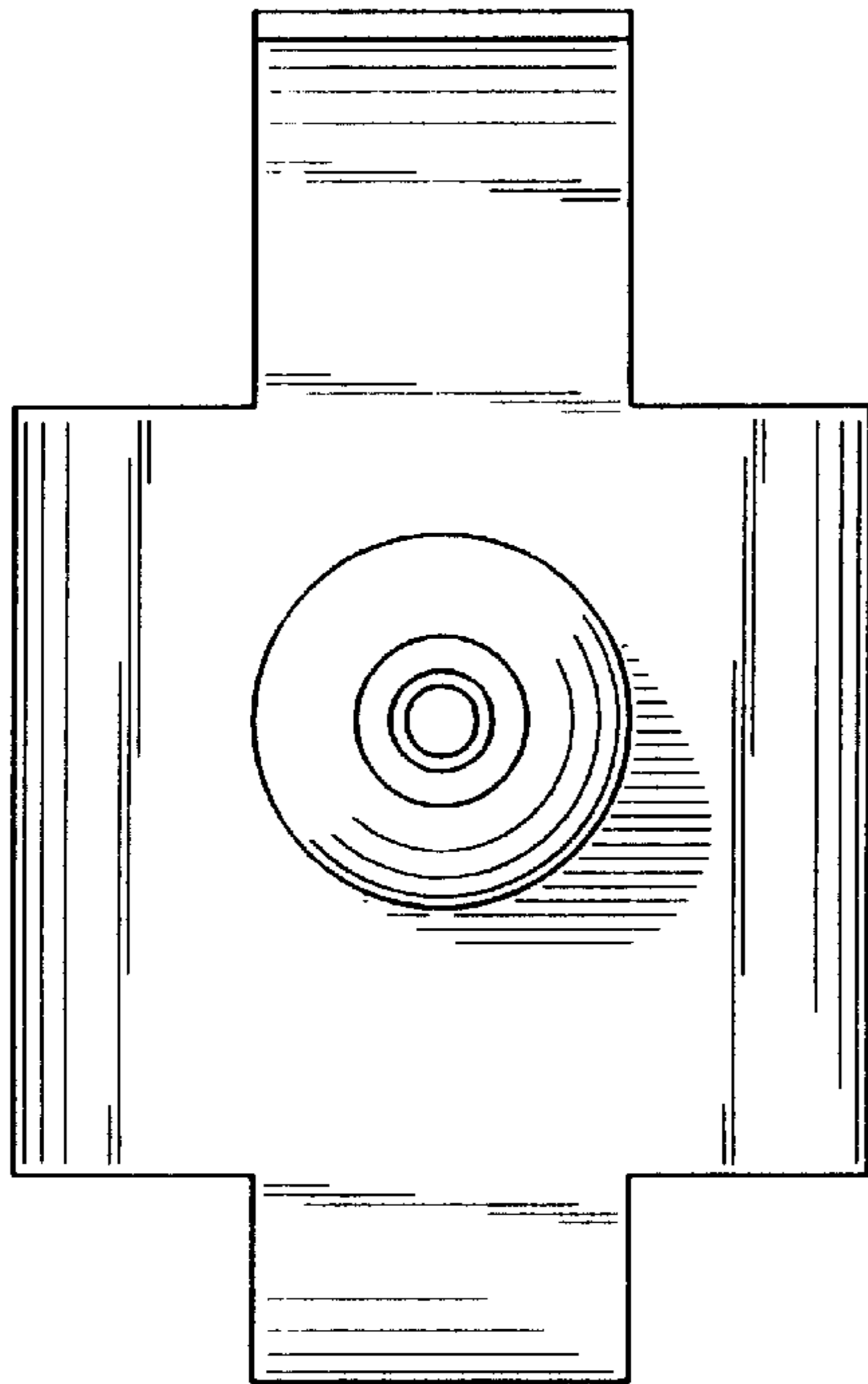


FIG. 4

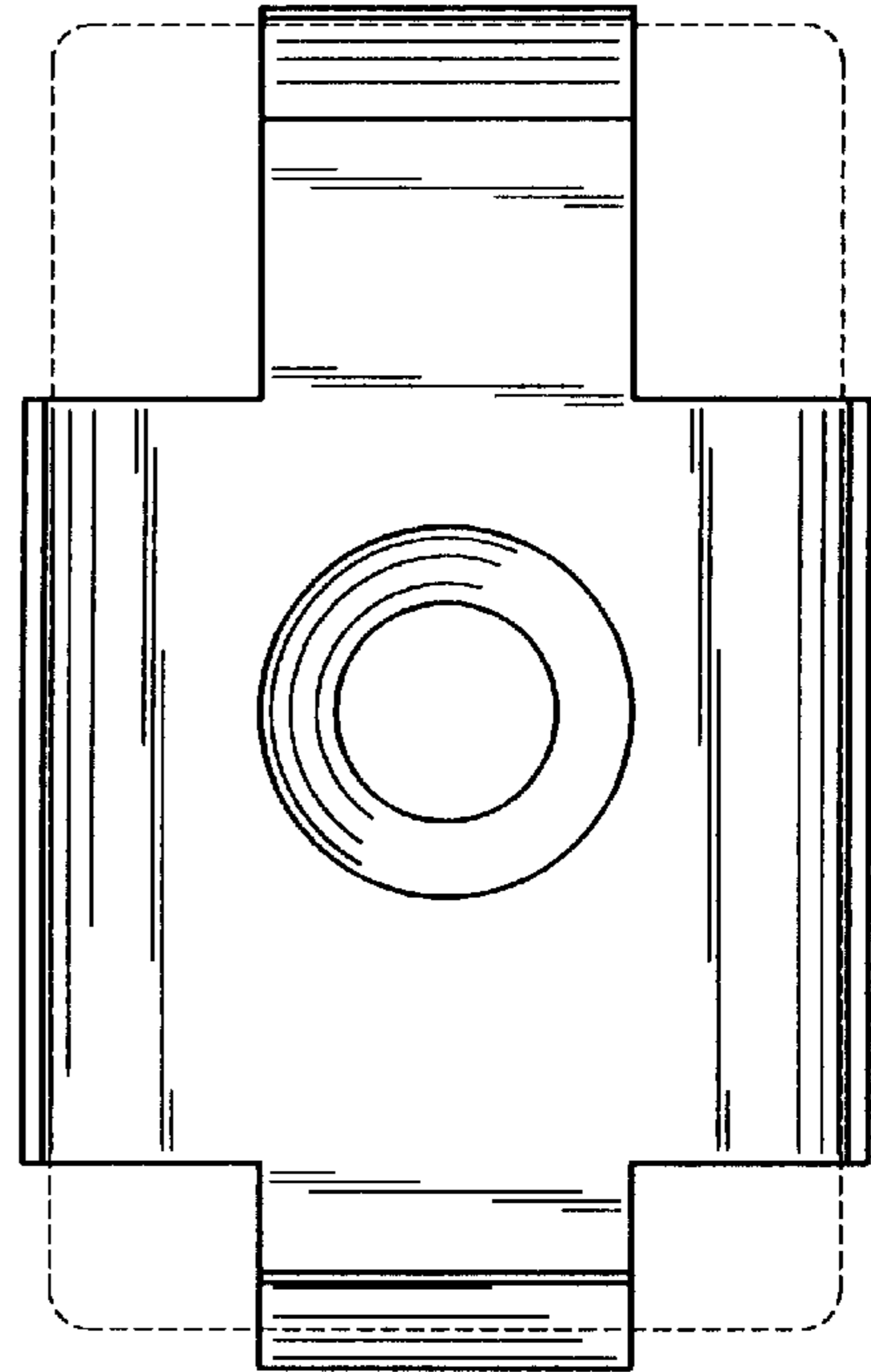


FIG. 5

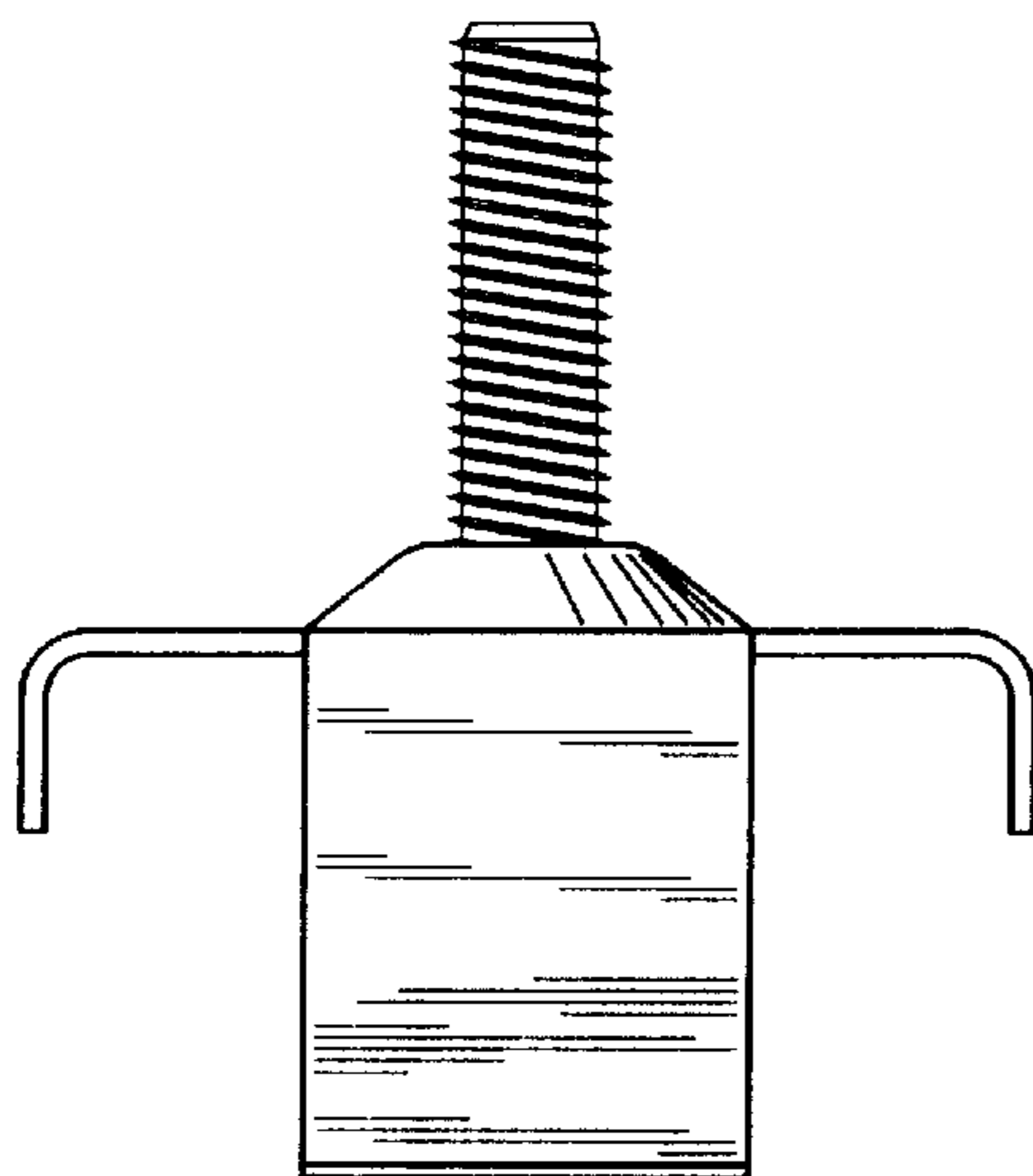


FIG. 6

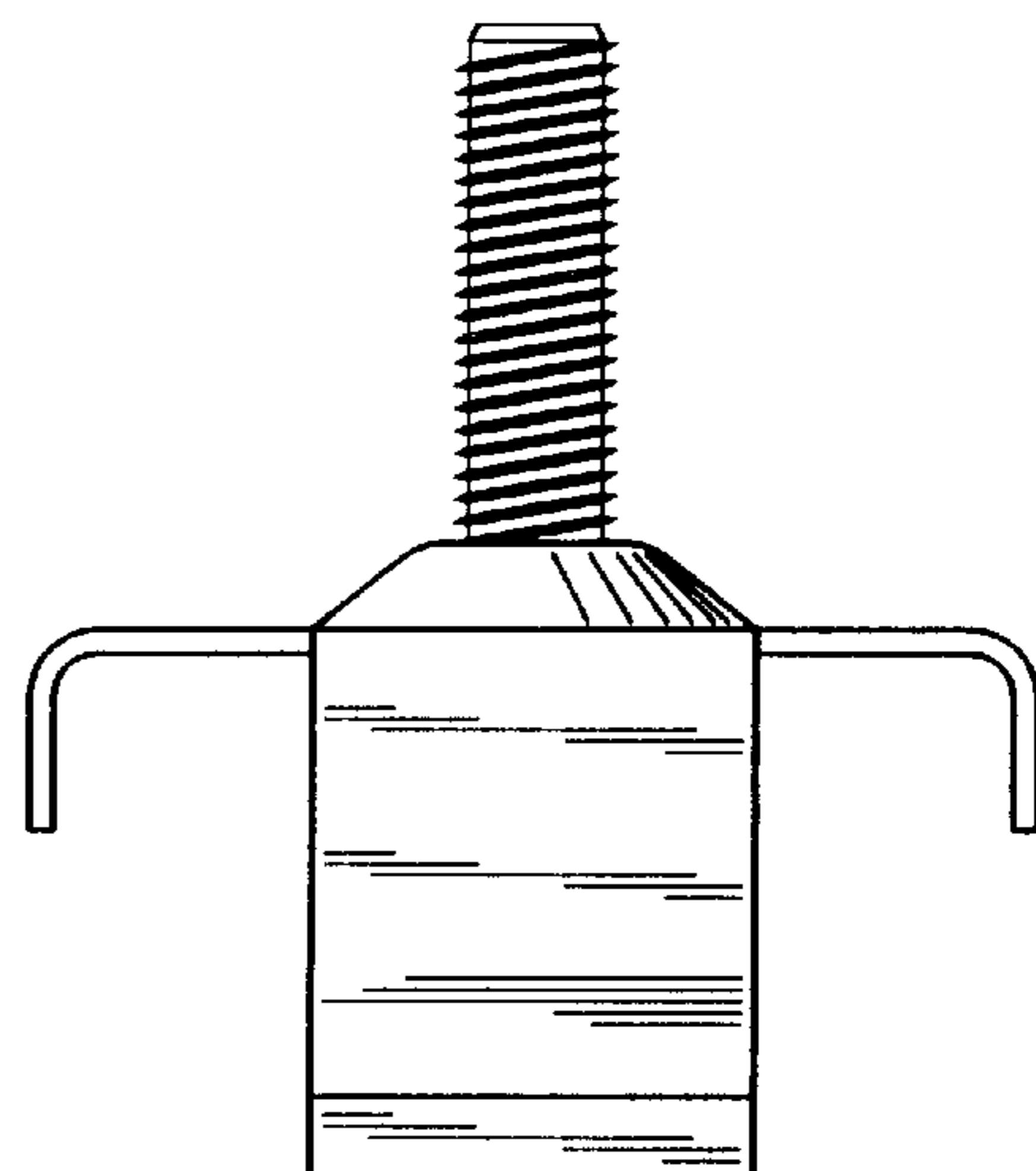


FIG. 7