



US00D433435S

# United States Patent [19] Hamamura

[11] **Patent Number: Des. 433,435**

[45] **Date of Patent: \*\* Nov. 7, 2000**

[54] **TOP ASSEMBLY FOR A SINGLE-LENS REFLEX CAMERA BODY**

D. 425,094 5/2000 Morishita et al. .... D16/217  
4,406,533 9/1983 Yamamoto ..... 396/206

[75] Inventor: **Toshihiro Hamamura**, Tokyo, Japan

[73] Assignee: **Asahi Kogaku Kogyo Kabushiki Kaisha**, Tokyo, Japan

[\*\*] Term: **14 Years**

[21] Appl. No.: **29/112,481**

[22] Filed: **Oct. 19, 1999**

### [30] Foreign Application Priority Data

Apr. 19, 1999 [JP] Japan ..... 11-10272

[51] **LOC (7) Cl.** ..... **16-05**

[52] **U.S. Cl.** ..... **D16/219; D16/217**

[58] **Field of Search** ..... D16/200, 201,  
D16/204, 205, 208, 209, 216-218, 219;  
396/354-359, 535-541

### [56] References Cited

#### U.S. PATENT DOCUMENTS

- D. 318,678 7/1991 Tanaka et al. .... D16/217
- D. 328,755 8/1992 Kumakura et al. .... D16/217
- D. 356,102 3/1995 Haga ..... D16/217
- D. 385,896 11/1997 Matsuda ..... D16/217
- D. 422,613 4/2000 Nagaoka ..... D16/217
- D. 424,593 5/2000 Nojima et al. .... D16/217

#### FOREIGN PATENT DOCUMENTS

999966 10/1998 Japan .

*Primary Examiner*—Adir Aronovich  
*Attorney, Agent, or Firm*—Sughrue, Mion, Zinn, Macpeak & Seas, PLLC

### [57] CLAIM

The ornamental design for a top assembly for a single-lens reflex camera body, as shown and described.

### DESCRIPTION

FIG. 1 is a perspective view of the top, front and right side of a top assembly for a single-lens reflex camera body showing my new design;

FIG. 2 is a front elevational view thereof;

FIG. 3 is a top plan view thereof;

FIG. 4 is a left side elevational view thereof;

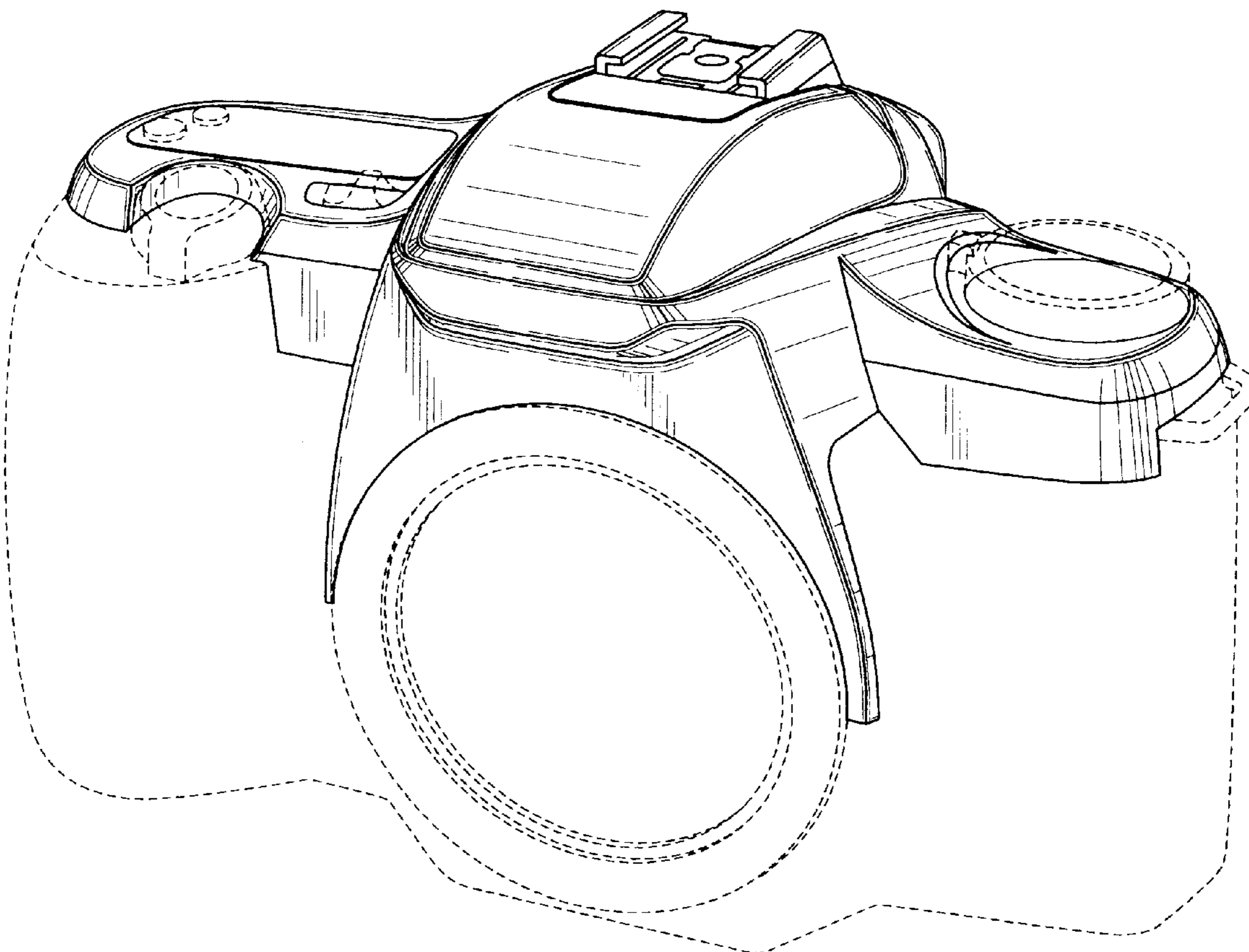
FIG. 5 is a right side elevational view thereof;

FIG. 6 is a rear elevational view thereof; and,

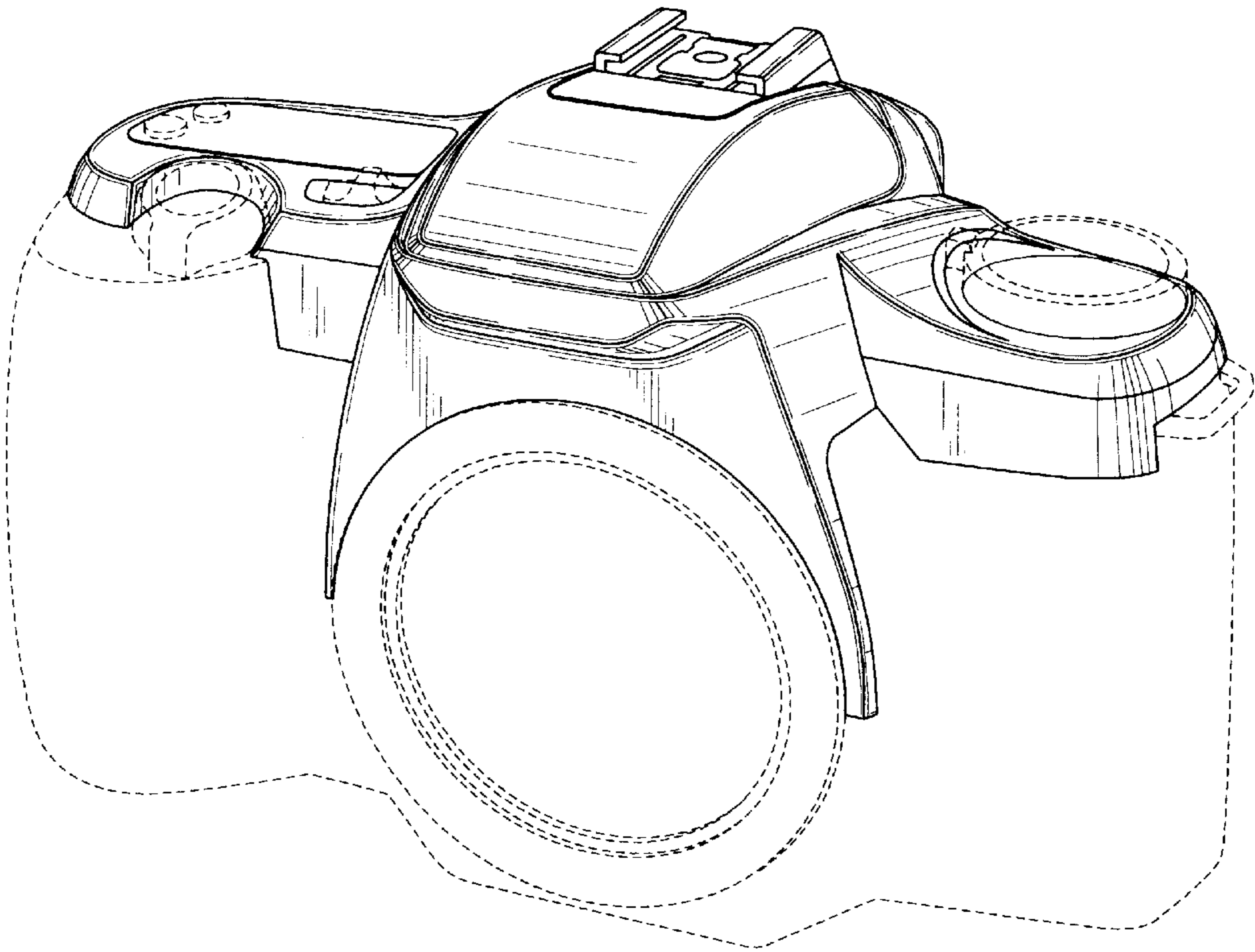
FIG. 7 is a bottom plan view of the only portion of the top portion visible when the top portion is assembled on the camera body in use.

The remainder of the camera body and the control elements shown in broken lines do not constitute a part of the claimed design.

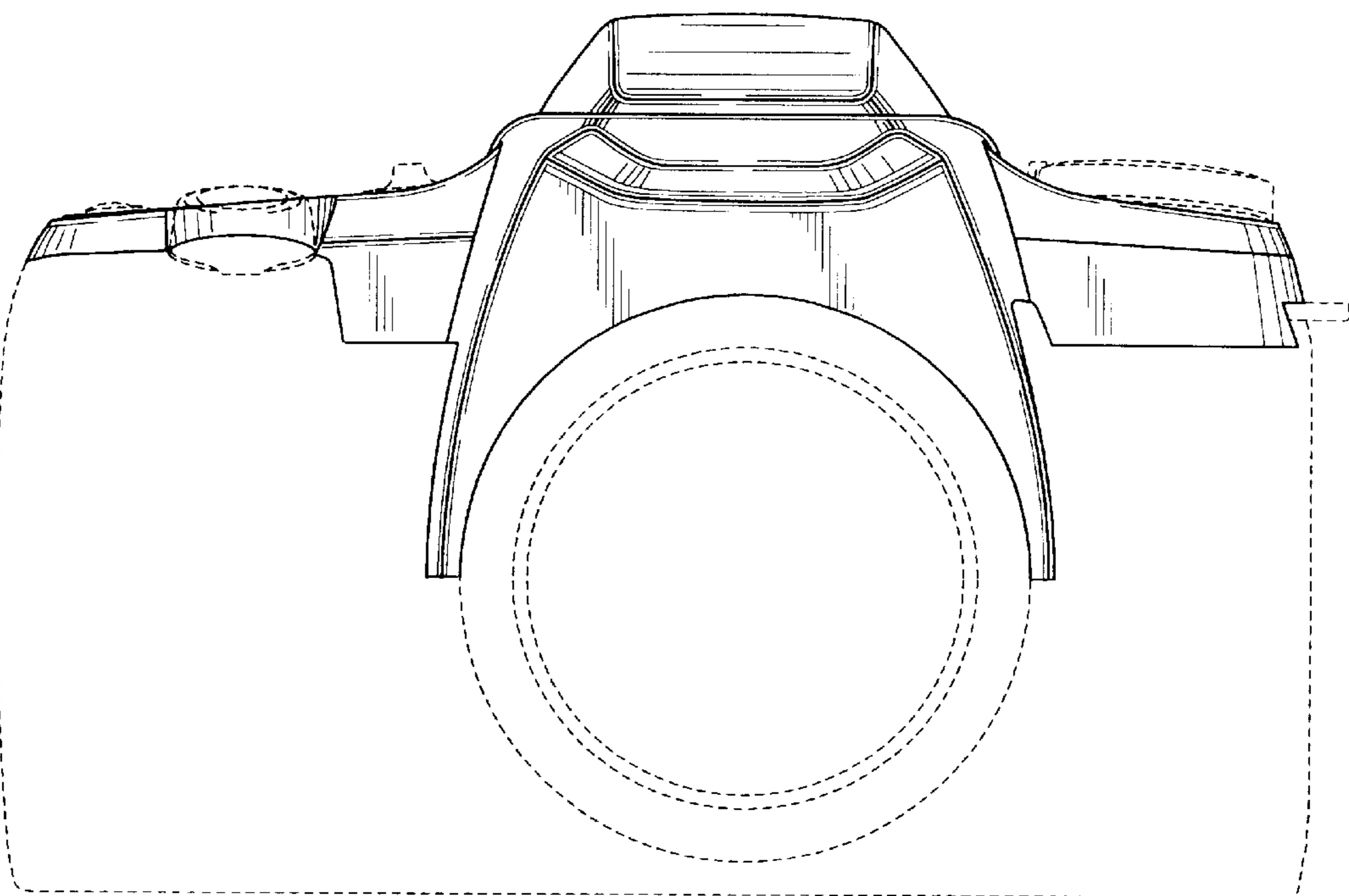
**1 Claim, 3 Drawing Sheets**



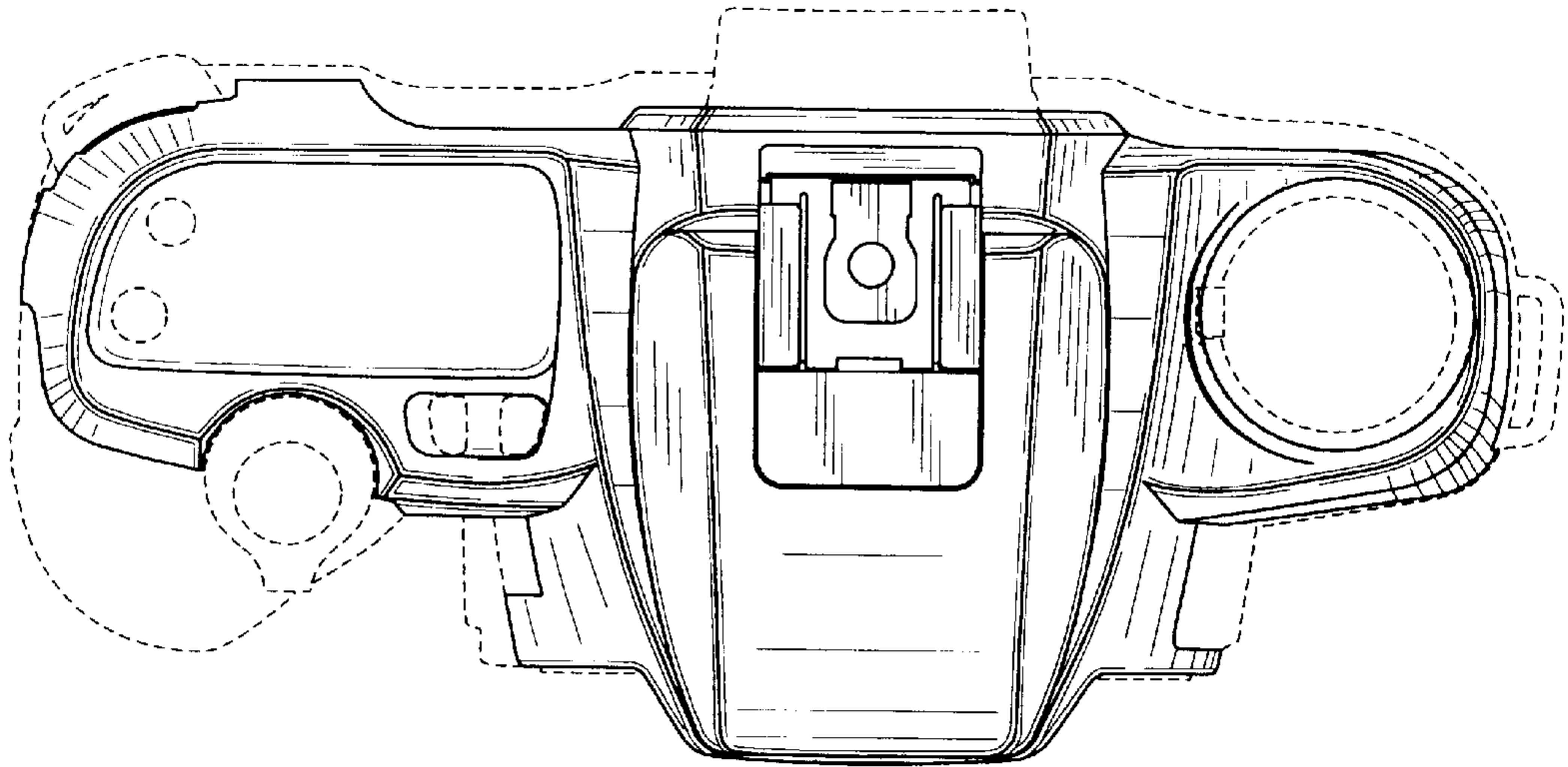
**FIG. 1**



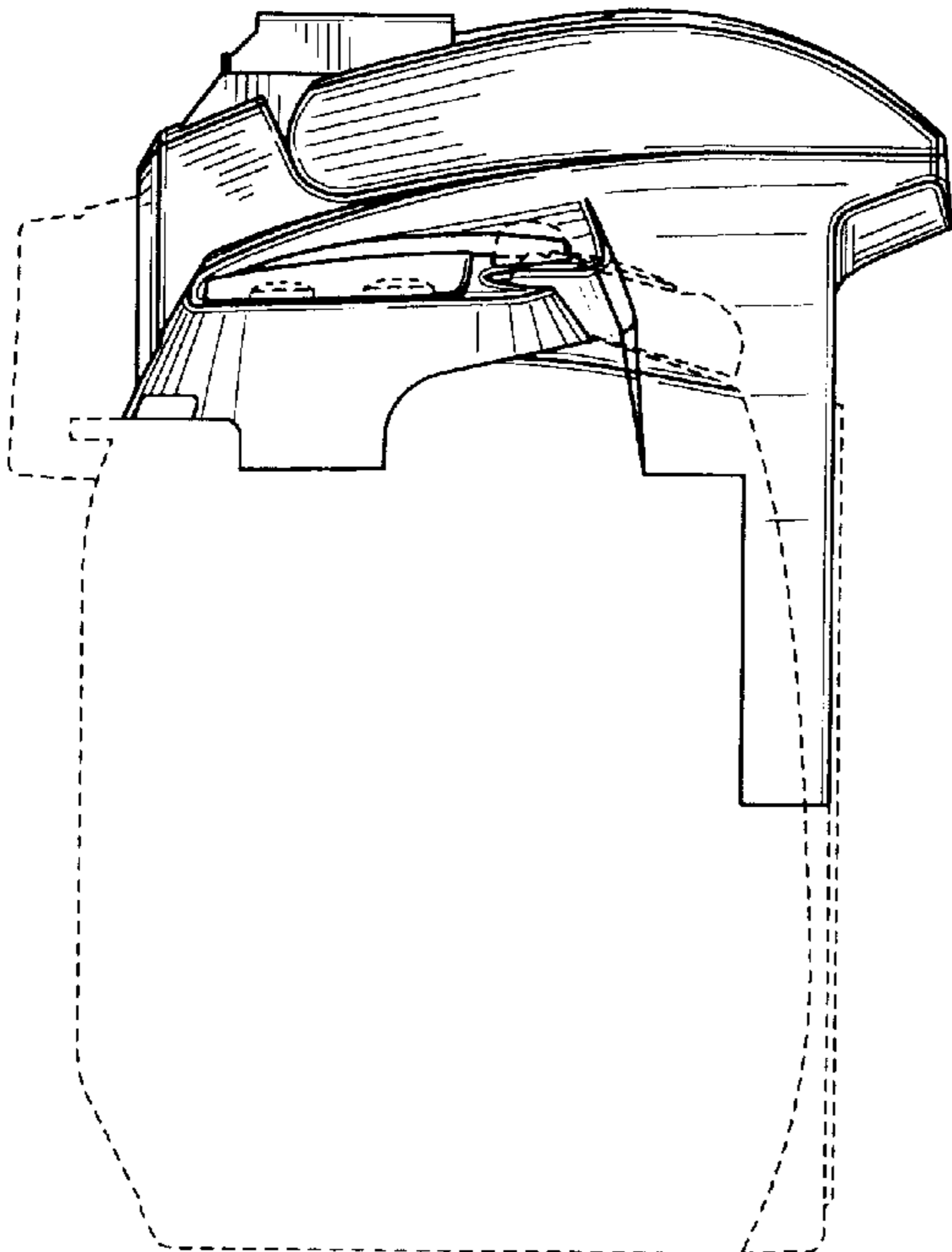
**FIG. 2**



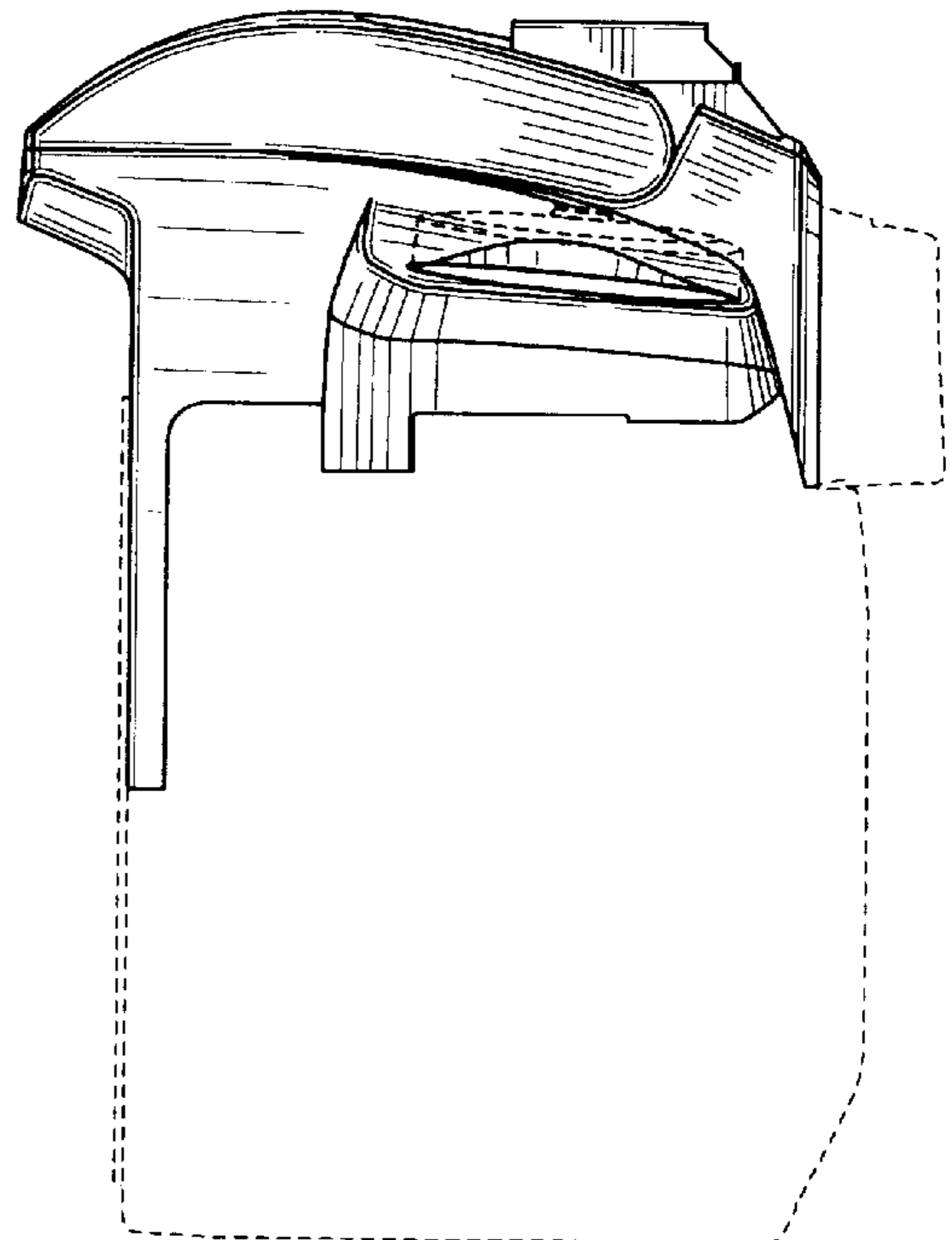
**FIG. 3**



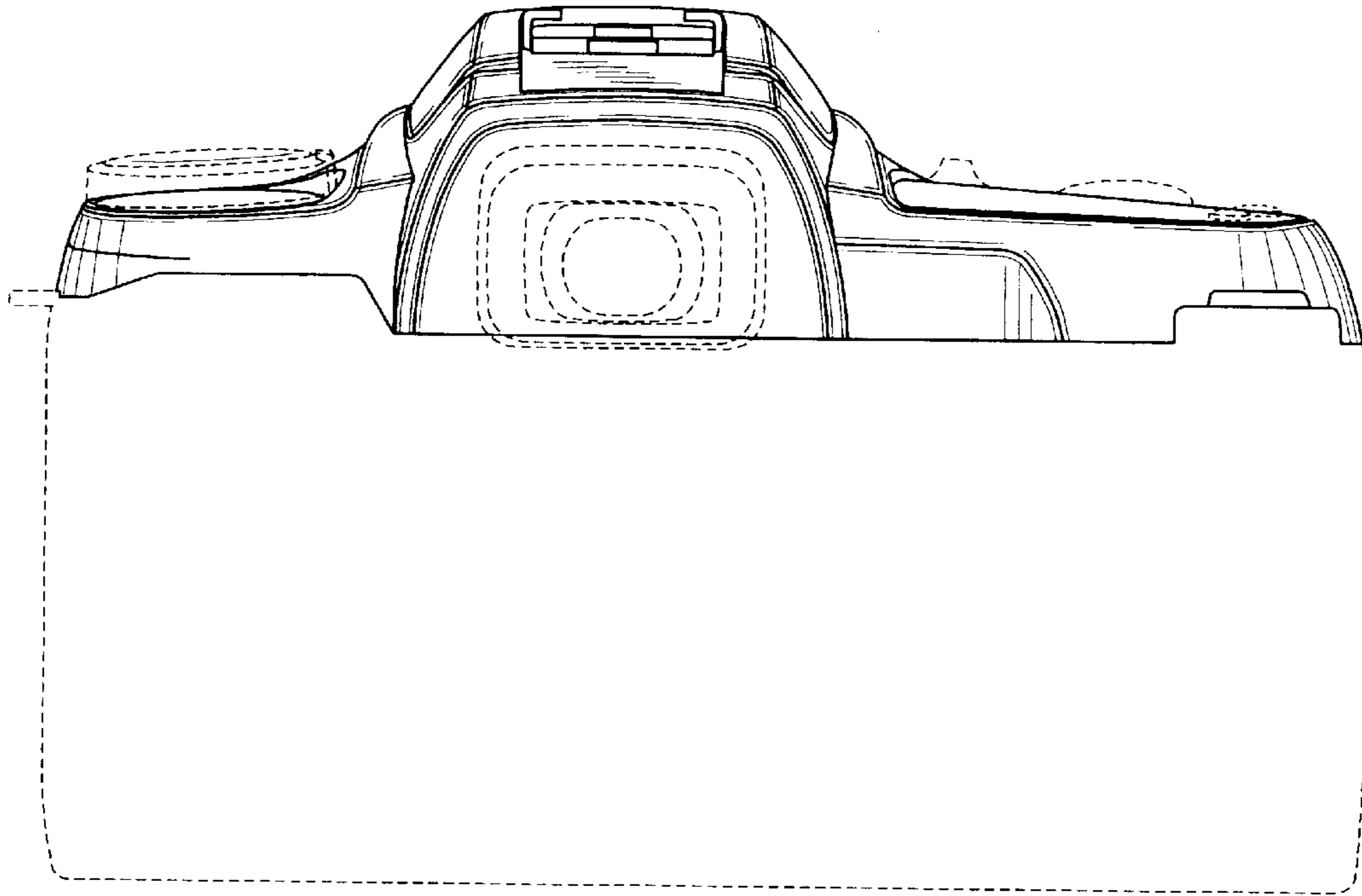
**FIG. 4**



**FIG. 5**



*FIG. 6*



*FIG. 7*

