



US00D433432S

United States Patent [19]

[11] **Patent Number: Des. 433,432**

Prather et al.

[45] **Date of Patent: ** Nov. 7, 2000**

[54] **VIDEO CAMERA**

D. 394,274 5/1998 Suzuki D16/202
D. 399,860 10/1998 Huang D16/202

[75] Inventors: **Vance A. Prather**, Fremont; **Bryed Billerbeck**, Mountain View; **Herbert Pfeifer**, San Francisco; **Bruce A. Friedericks**, Larkspur; **John Scott Crissman**, Los Gatos; **Junien Labrousse**, Palo Alto, all of Calif.

OTHER PUBLICATIONS

Panasonic Product Specifications, 1997 (EggCam).
Vivitar Digital Imaging, Mar. 1998 (ViviCam).

[73] Assignee: **Logitech, Inc.**, Fremont, Calif.

Primary Examiner—Adir Aronovich
Attorney, Agent, or Firm—Townsend and Townsend and Crew LLP

[**] Term: **14 Years**

[57] CLAIM

[21] Appl. No.: **29/111,580**

The ornamental design for a video camera, as shown and described.

[22] Filed: **Sep. 29, 1999**

DESCRIPTION

[51] **LOC (7) Cl.** **16-01**

The video camera captures video images and can be used with a computer.

[52] **U.S. Cl.** **D16/202**

[58] **Field of Search** D16/200–205;
348/14–20, 373–376; 358/909.1; 396/419,
535–541

FIG. 1 is a perspective view of a video camera showing our new design;

FIG. 2 is a top plan view thereof;

FIG. 3 is a front elevational view thereof;

FIG. 4 is a left side elevational view thereof, and the right side is a mirror image thereof;

FIG. 5 is a rear elevational view thereof; and,

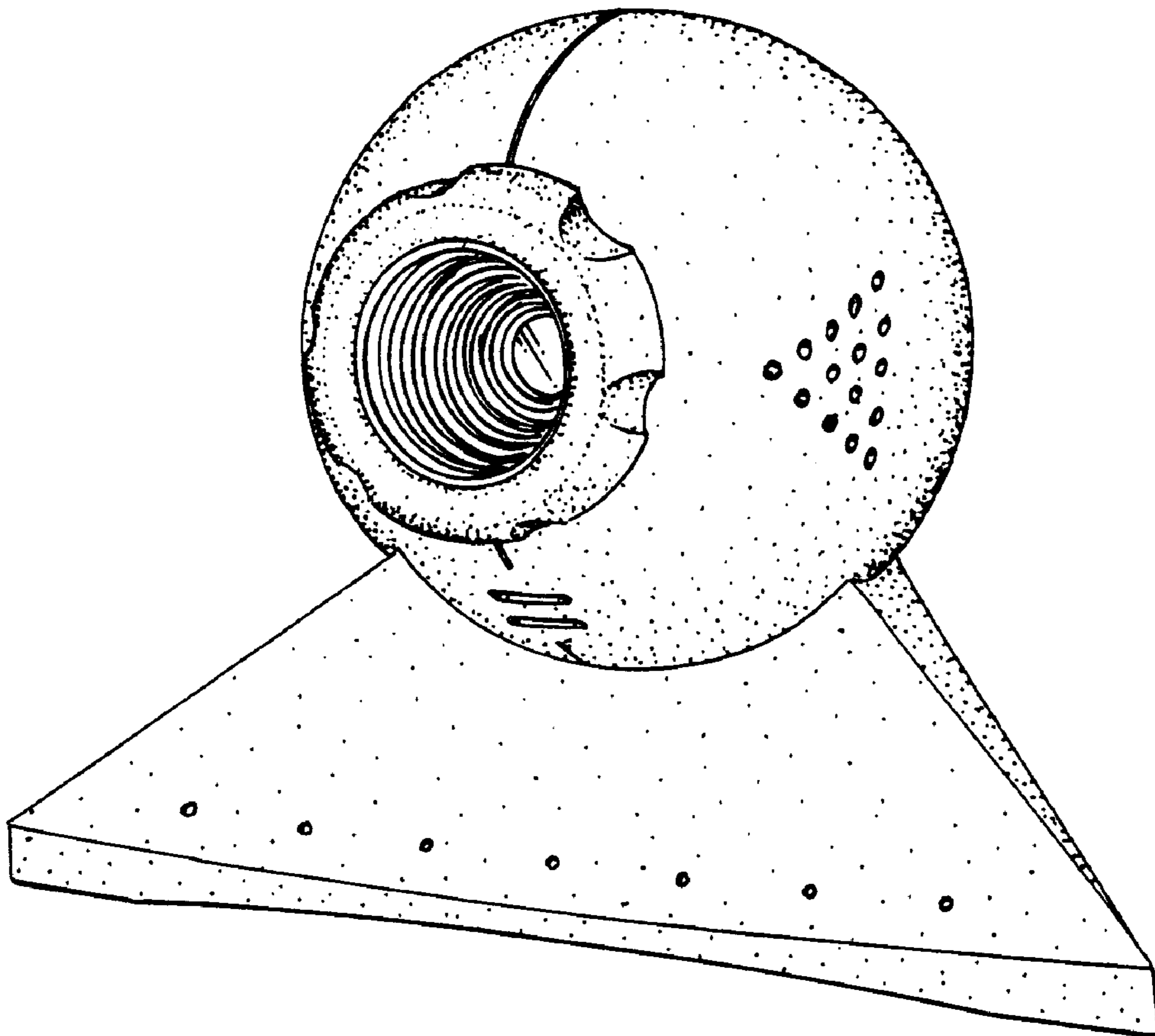
FIG. 6 is a bottom plan view thereof.

[56] References Cited

U.S. PATENT DOCUMENTS

D. 387,788 12/1997 Jeong et al. D16/202
D. 390,244 2/1998 Yamakawa et al. D16/202
D. 392,299 3/1998 Lin D16/202

1 Claim, 2 Drawing Sheets



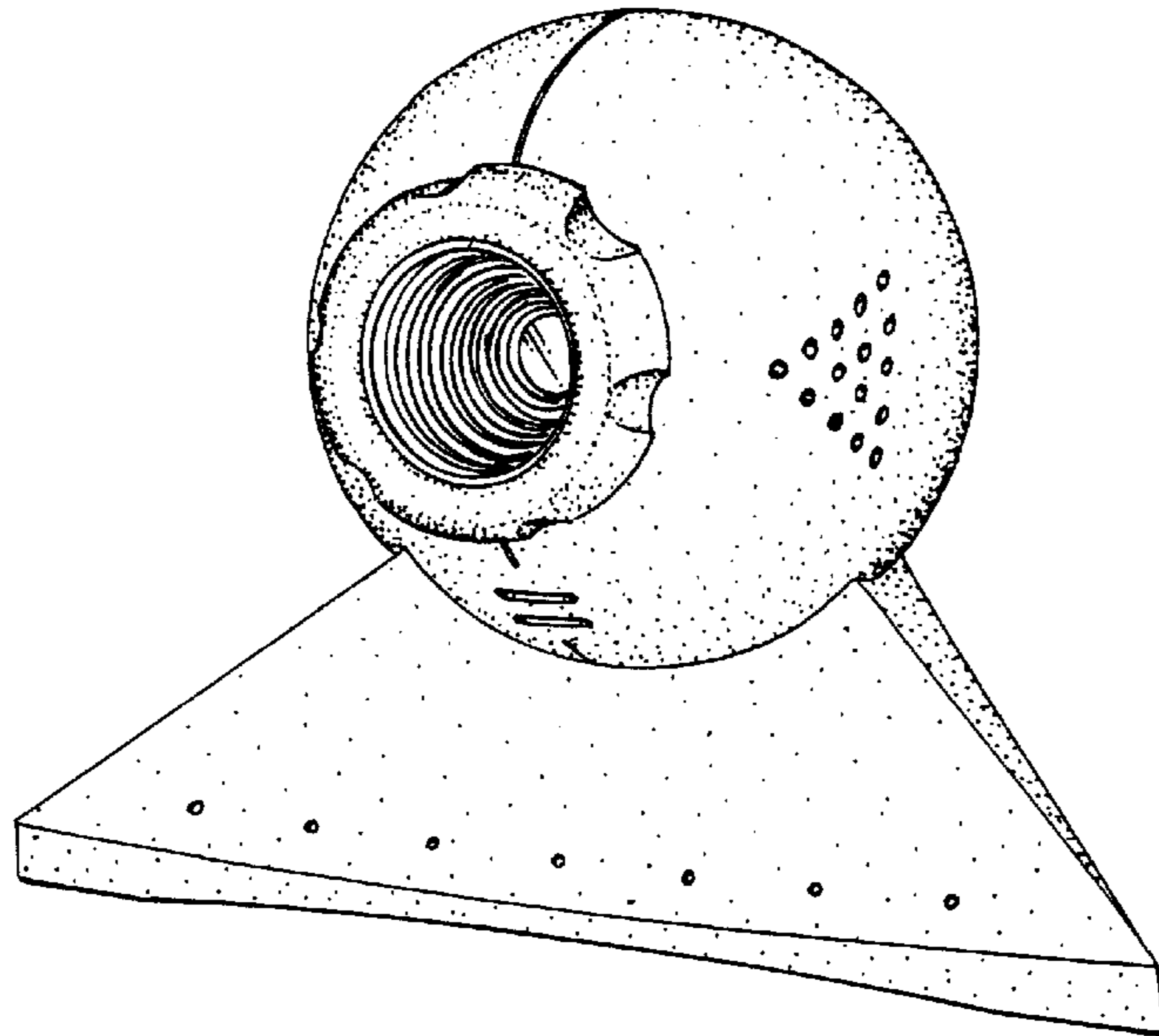


FIG. 1.

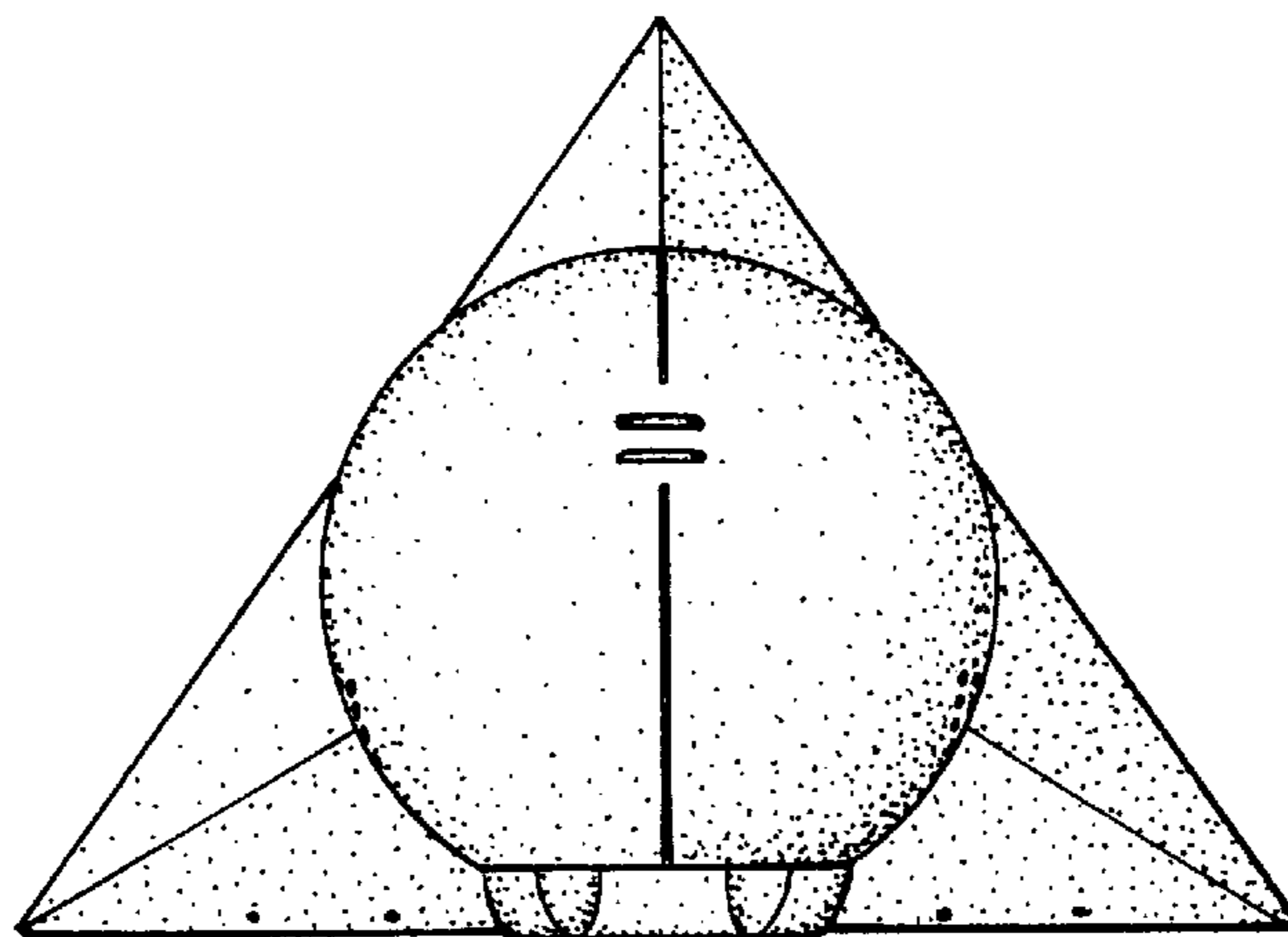


FIG. 2.

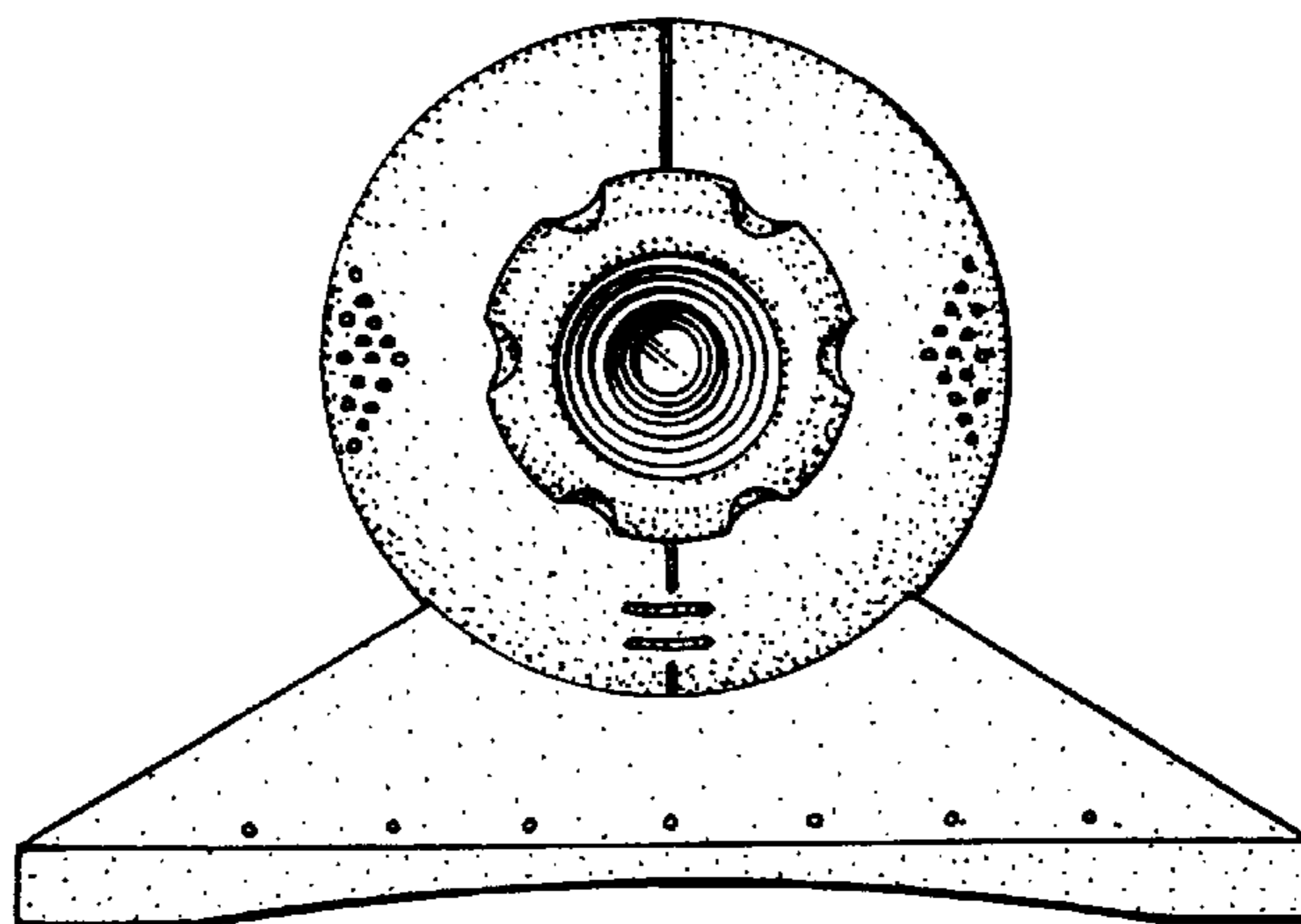


FIG. 3.

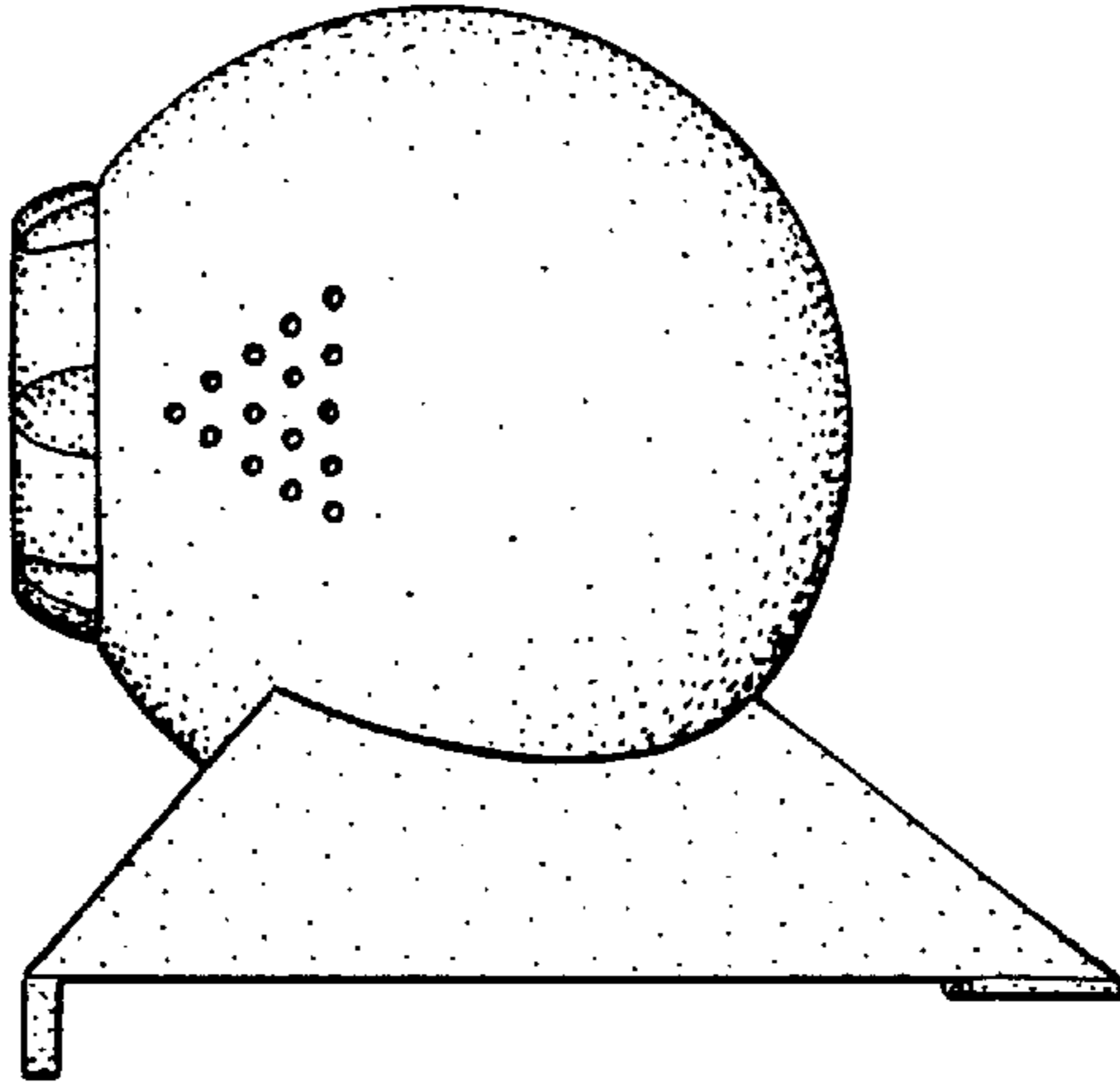


FIG. 4.

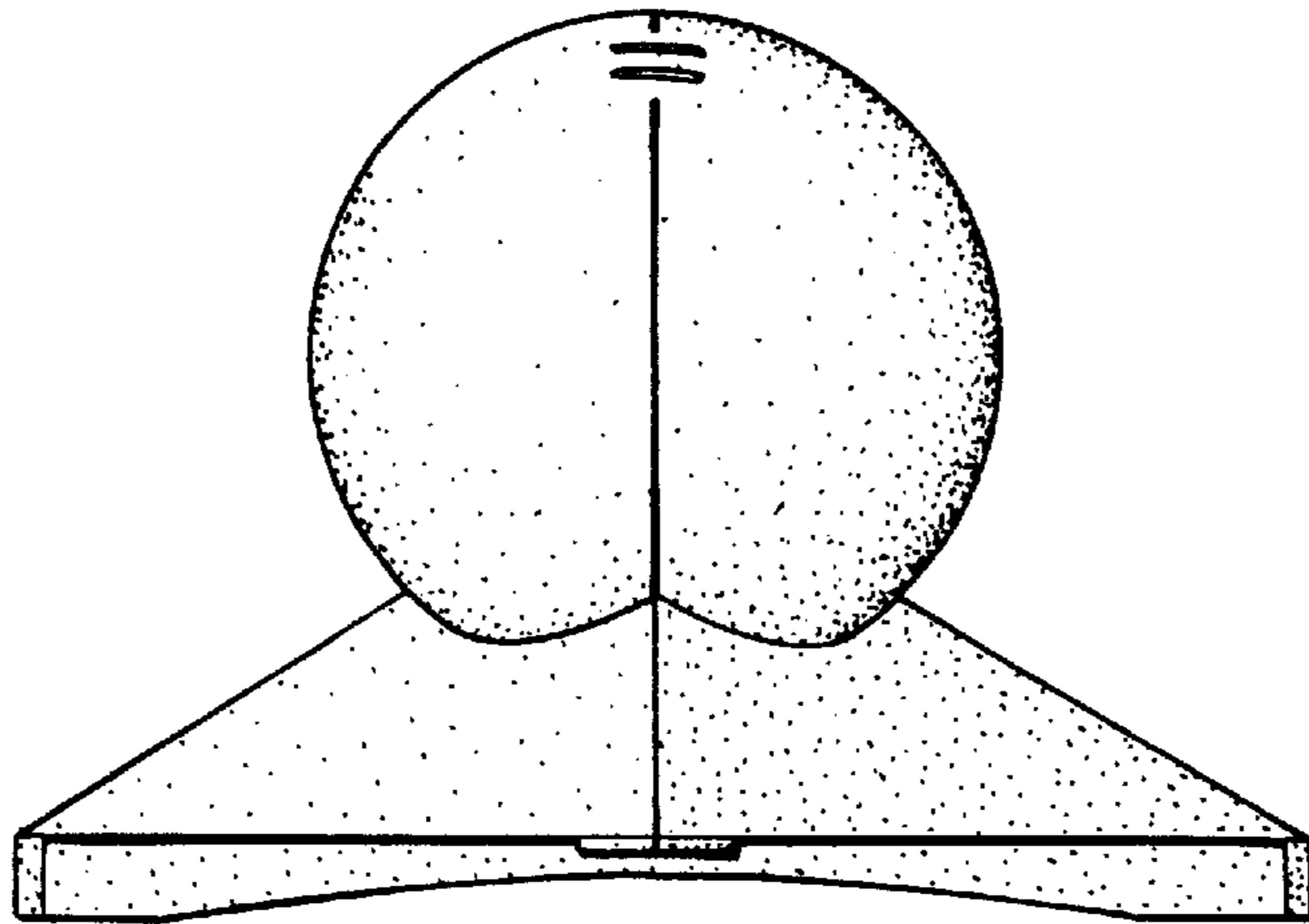


FIG. 5.

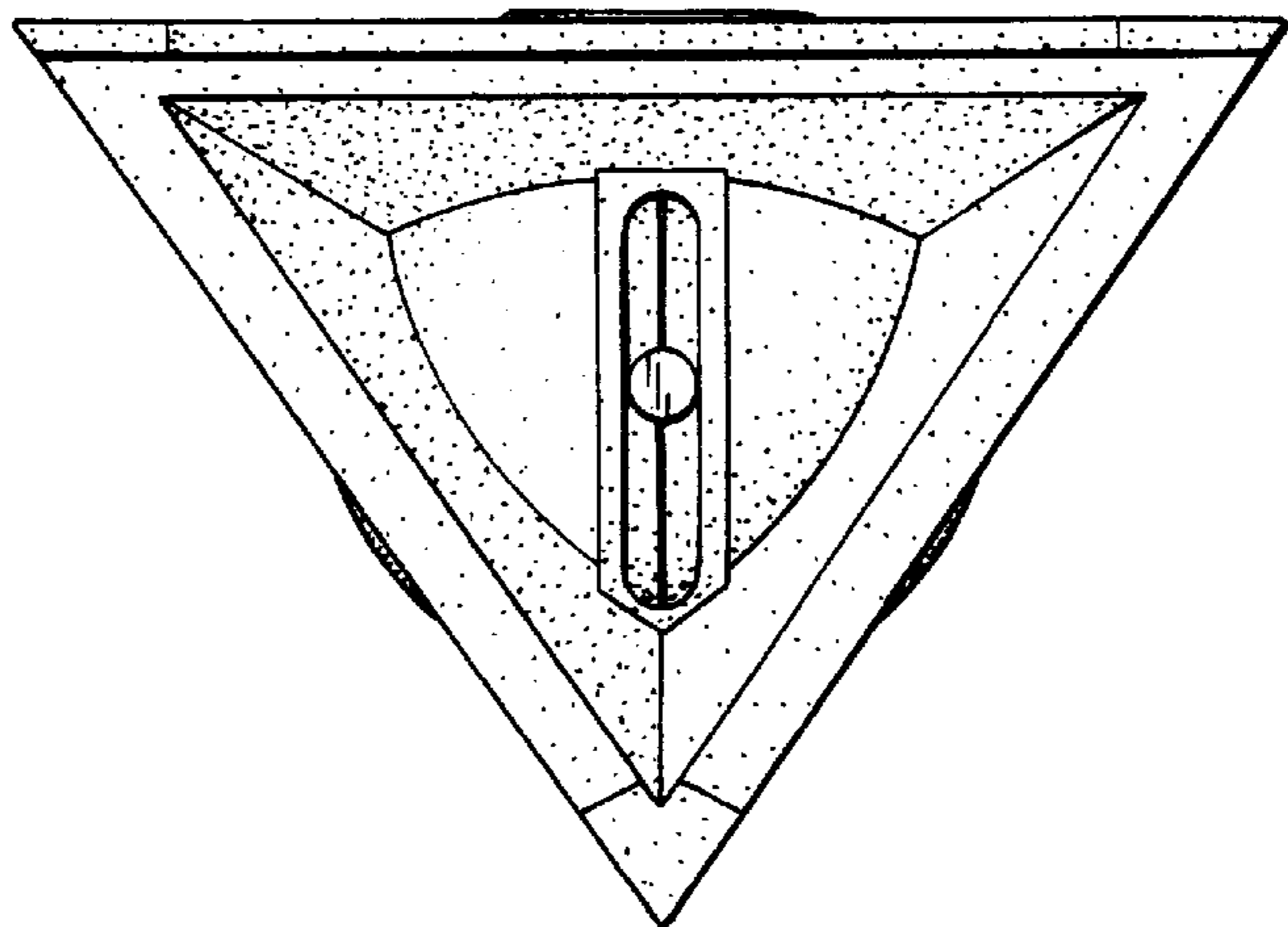


FIG. 6.