



US00D433431S

United States Patent [19]

Uehara et al.

[11] Patent Number: **Des. 433,431**

[45] Date of Patent: **** Nov. 7, 2000**

[54] VIDEO CAMERA

[75] Inventors: **Mitsuhiro Uehara; Shinichi Iriya,**
both of Tokyo, Japan

[73] Assignee: **Sony Corporation,** Japan

[**] Term: **14 Years**

[21] Appl. No.: **29/109,850**

[22] Filed: **Aug. 24, 1999**

[30] Foreign Application Priority Data

Mar. 5, 1999 [JP] Japan 11-5378

[51] **LOC (7) Cl.** **16-01**

[52] **U.S. Cl.** **D16/202**

[58] **Field of Search** D16/202, 205;
348/14-20, 373-376; 358/906, 909.1; 396/535-541

[56] References Cited

U.S. PATENT DOCUMENTS

D. 355,920	2/1995	Shinano	D16/202
D. 367,870	3/1996	Shinano	D16/202
D. 386,505	11/1997	Maeyama	D16/202
D. 400,549	11/1998	Wakefield	D16/202
5,633,681	5/1997	Baxter et al.	348/373
5,734,414	3/1998	Nishimura et al.	348/14

OTHER PUBLICATIONS

Catalog; "Video Equipment 1999". Sony; Jan. 1999; 3 sheet.

Primary Examiner—Adir Aronovich

Attorney, Agent, or Firm—Rader, Fishman&Grauer

[57] CLAIM

The ornamental design for a video camera, as shown and described.

DESCRIPTION

FIG. 1 is a perspective view of a video camera showing our new design;

FIG. 2 is a top plan view thereof;

FIG. 3 is a bottom plan view thereof;

FIG. 4 is a left side elevational view thereof;

FIG. 5 is a right side elevational view thereof;

FIG. 6 is a front elevational view thereof;

FIG. 7 is a rear elevational view thereof;

FIG. 8 is a perspective view of another embodiment of a video camera showing our new design;

FIG. 9 is a top plan view thereof;

FIG. 10 is a bottom plan view thereof;

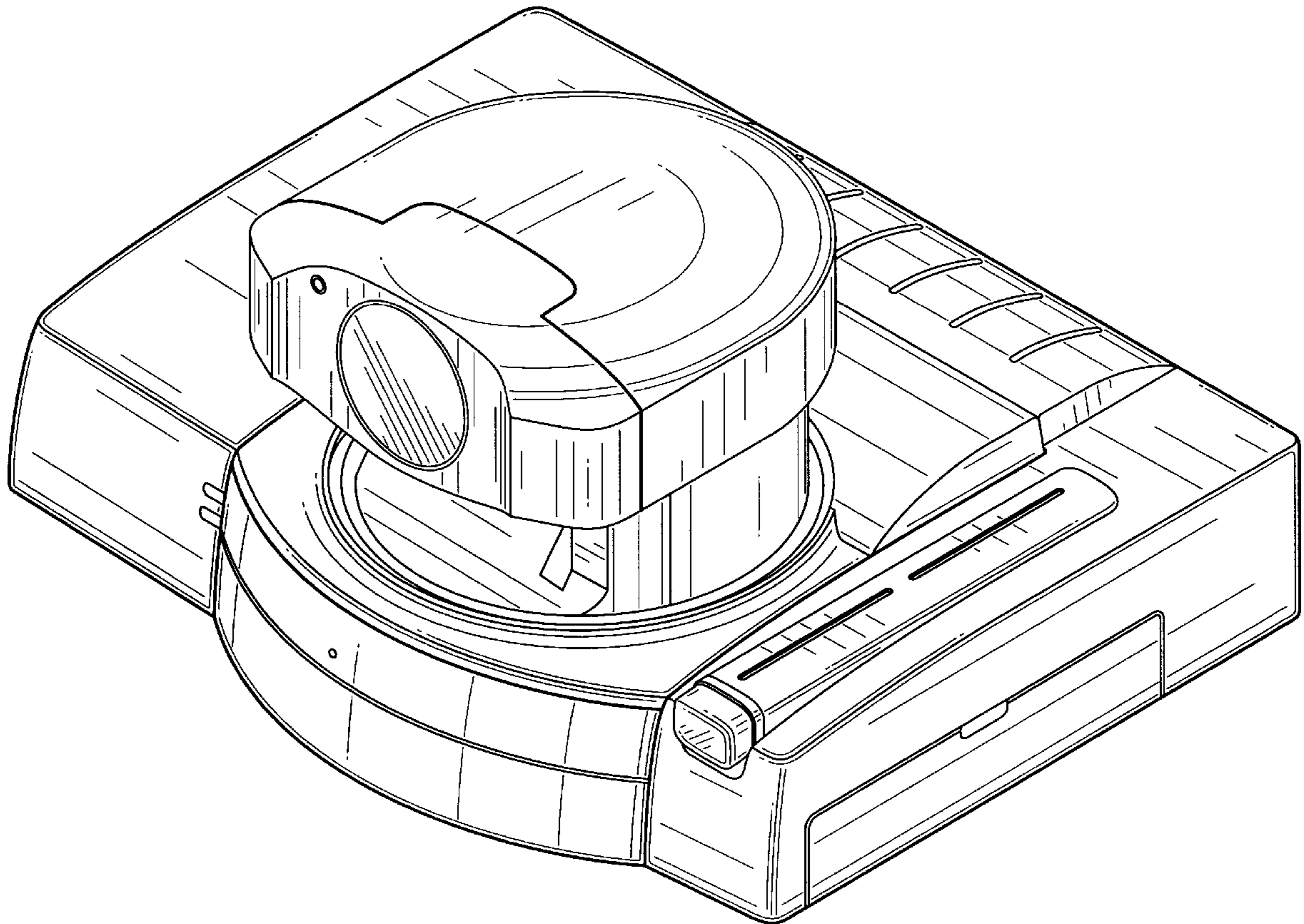
FIG. 11 is a left side elevational view thereof;

FIG. 12 is a right side elevational view thereof;

FIG. 13 is a front elevational view thereof; and,

FIG. 14 is a rear elevational view thereof.

1 Claim, 14 Drawing Sheets



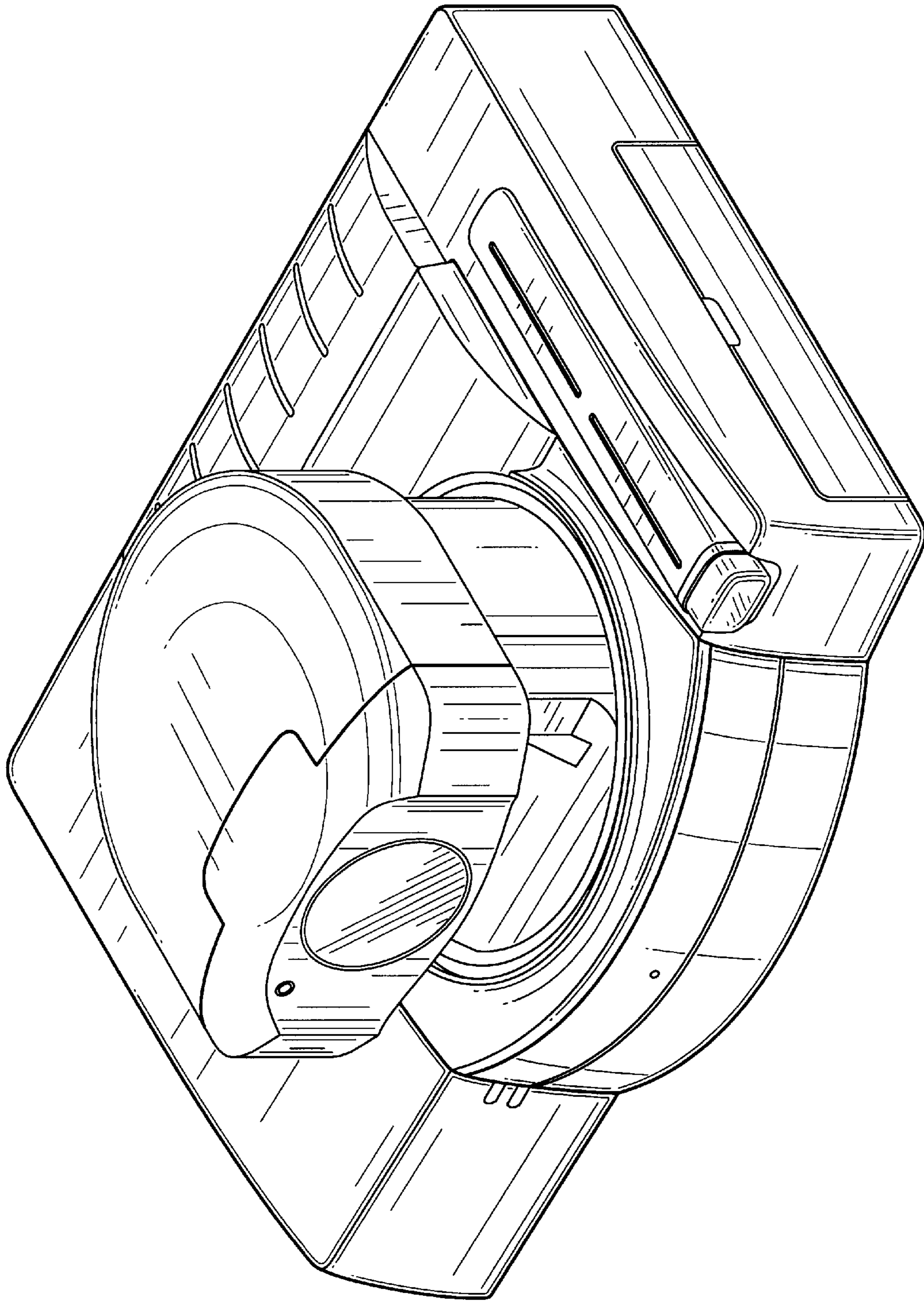


FIG. 1

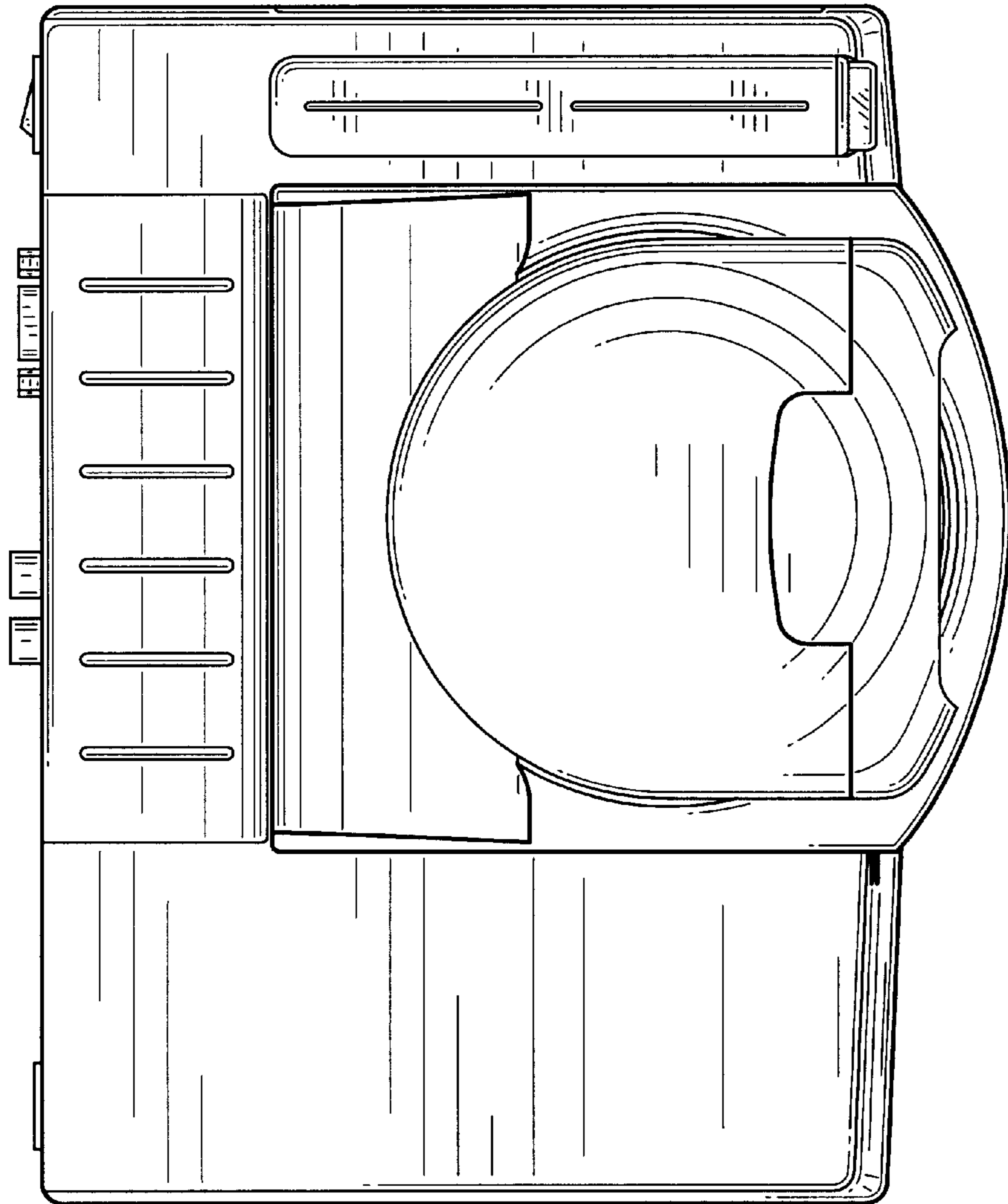


FIG. 2

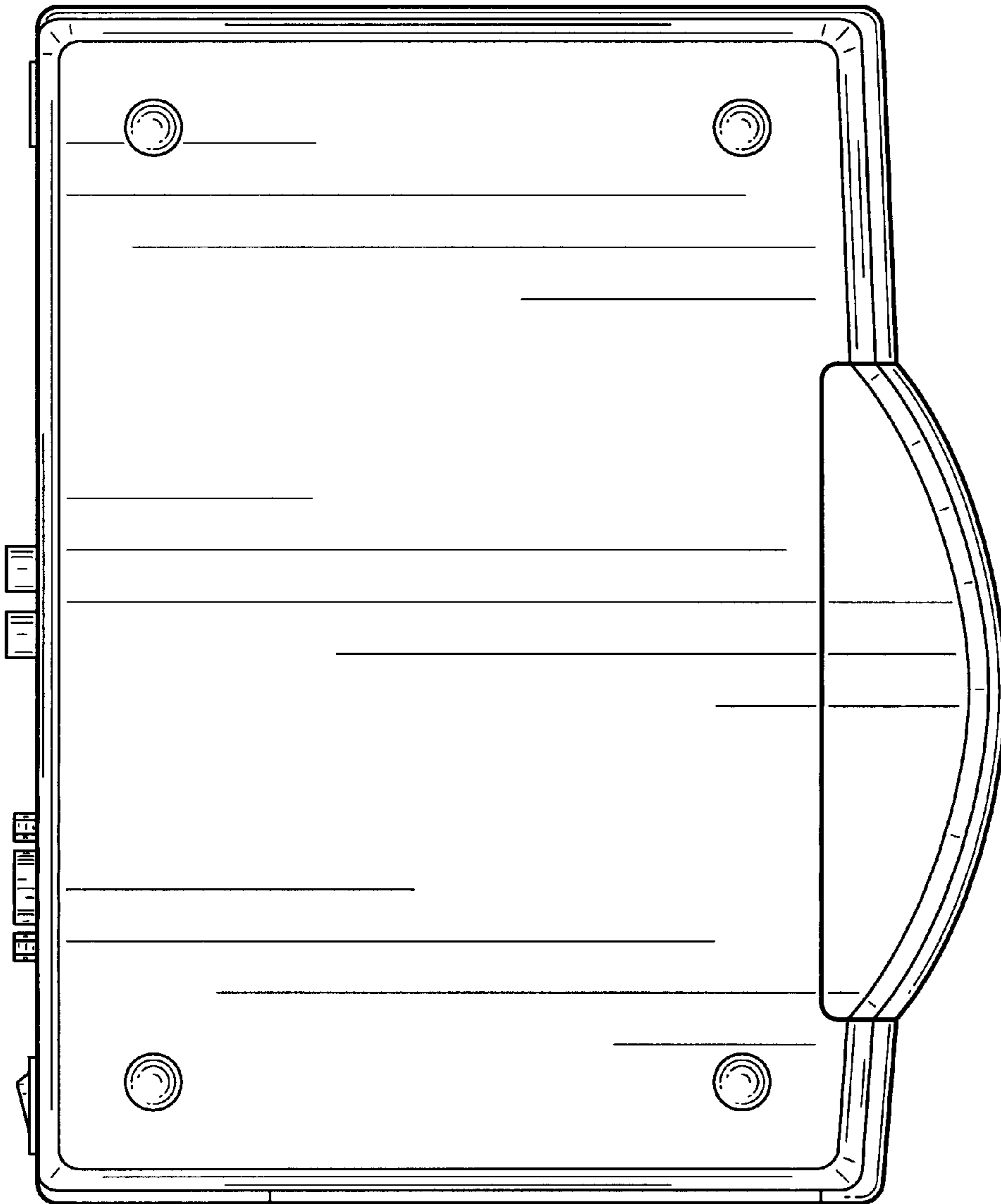


FIG. 3

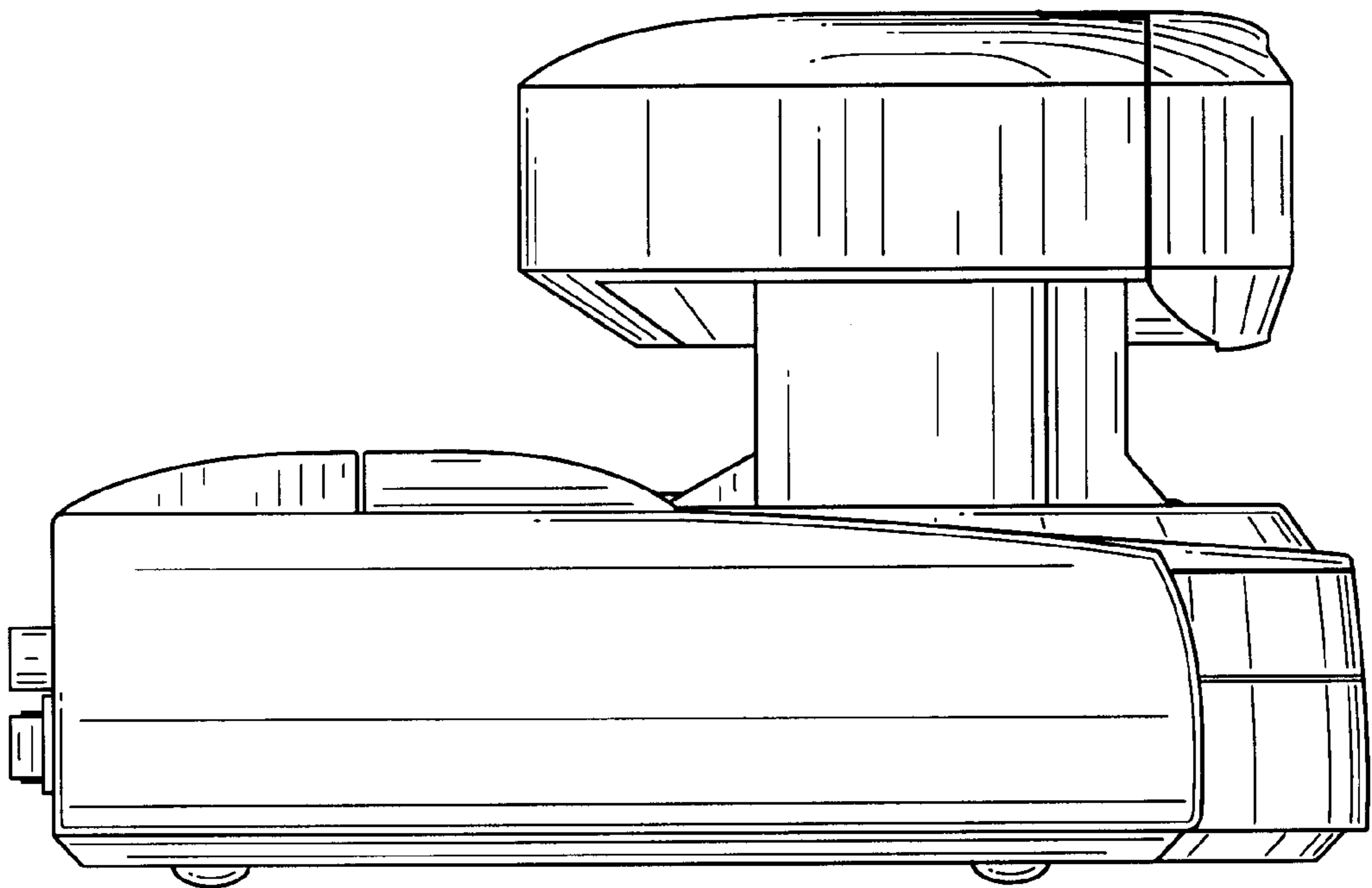


FIG. 4

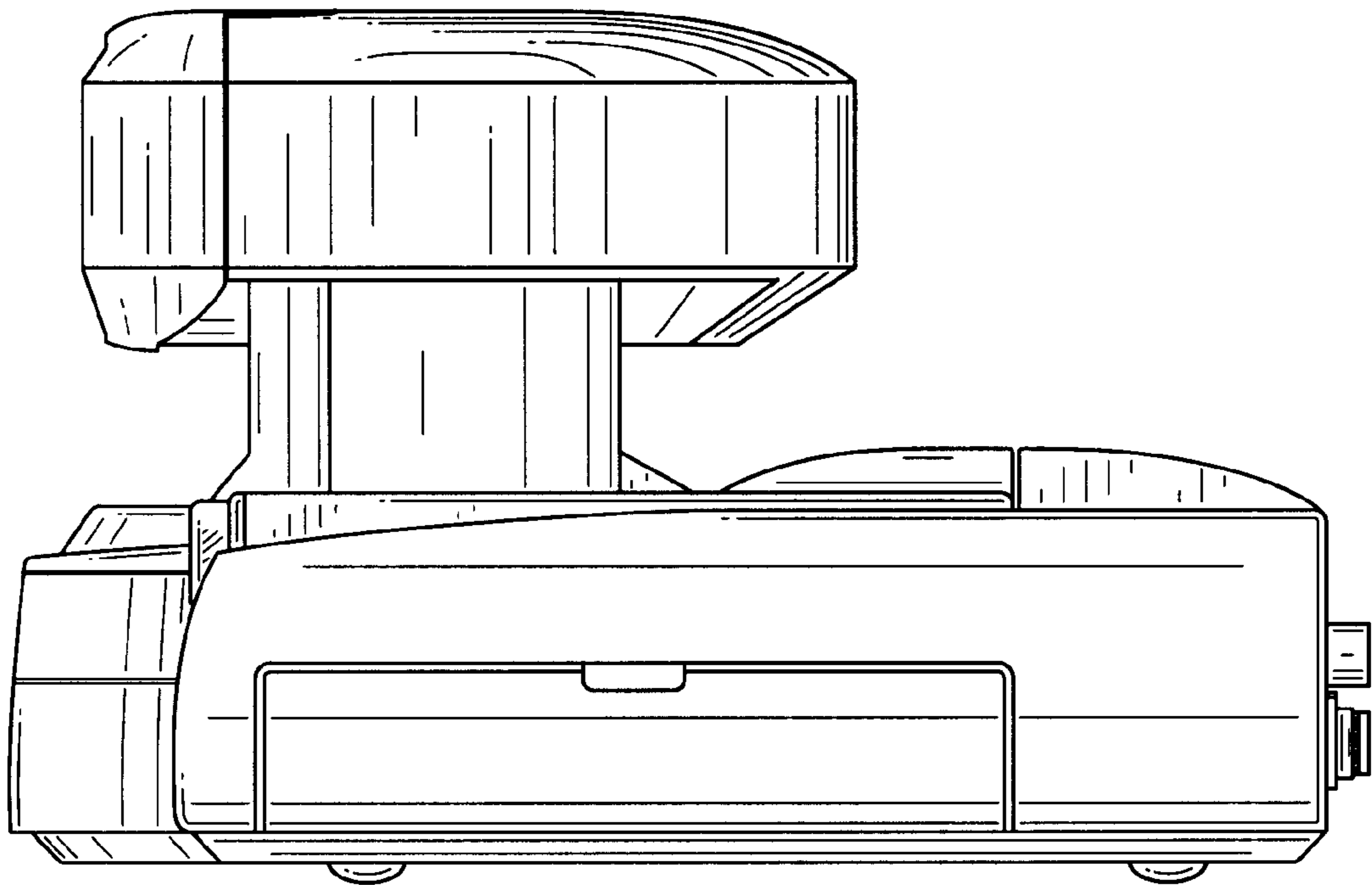


FIG. 5

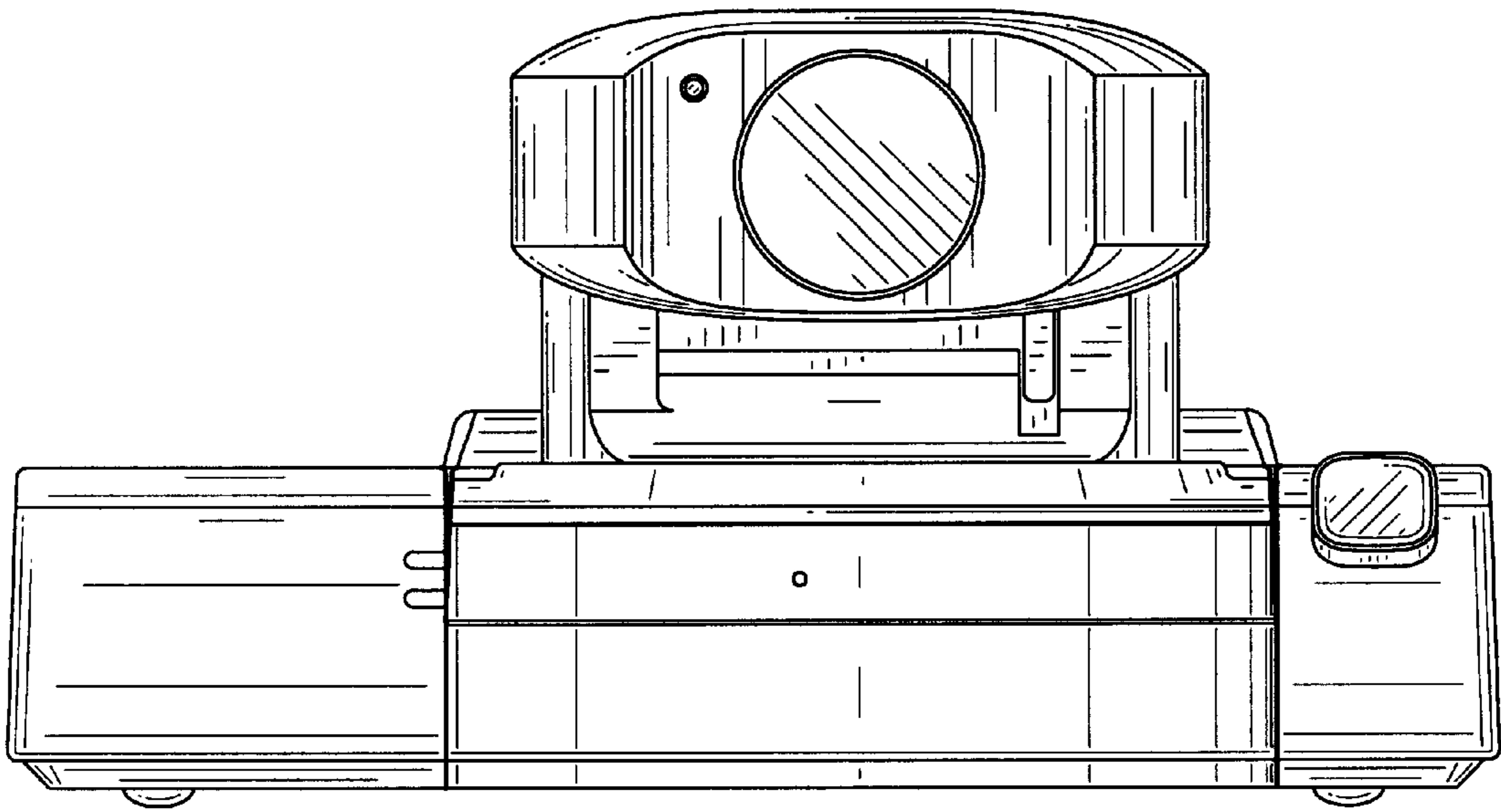


FIG. 6

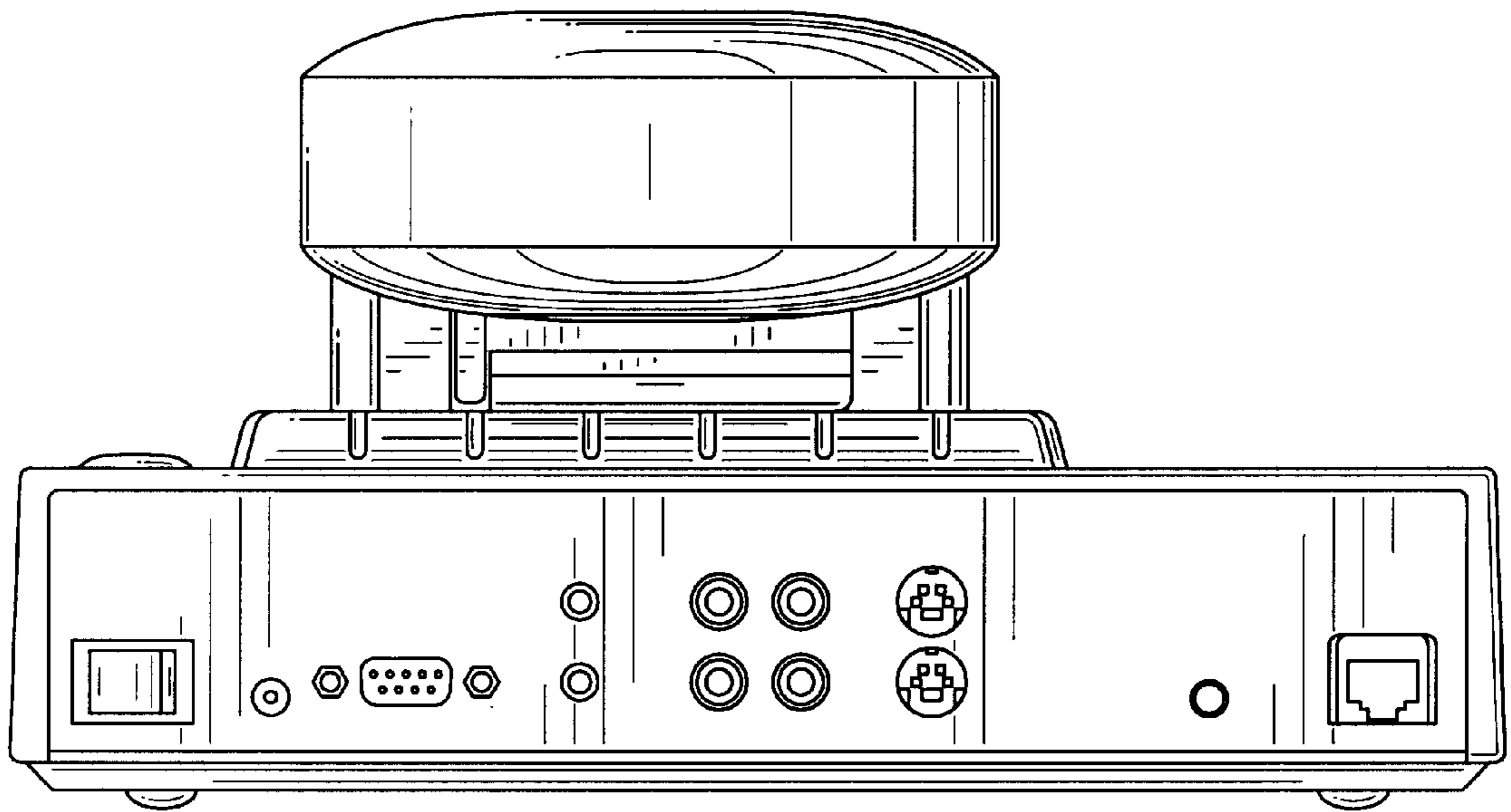


FIG. 7

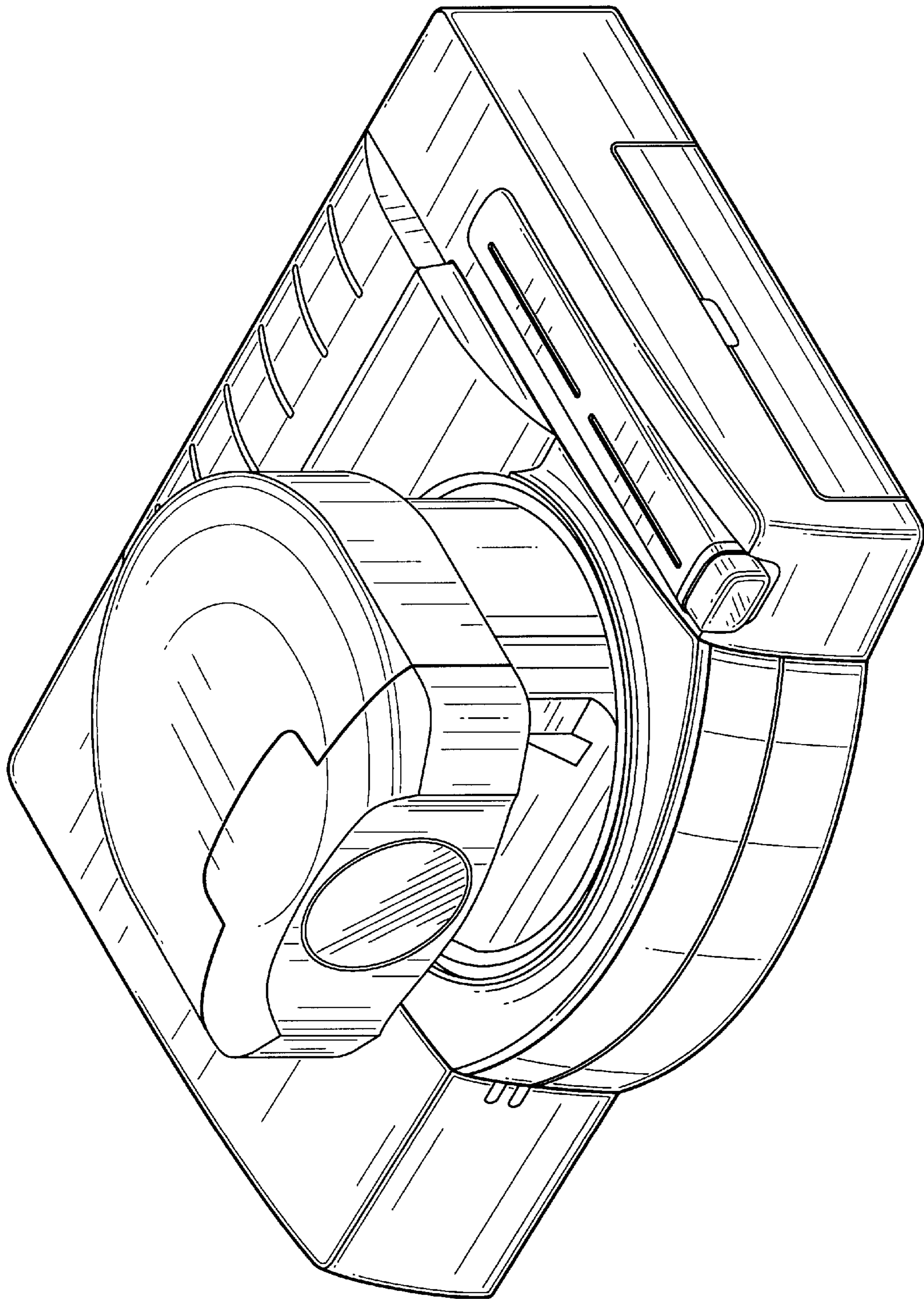


FIG. 8

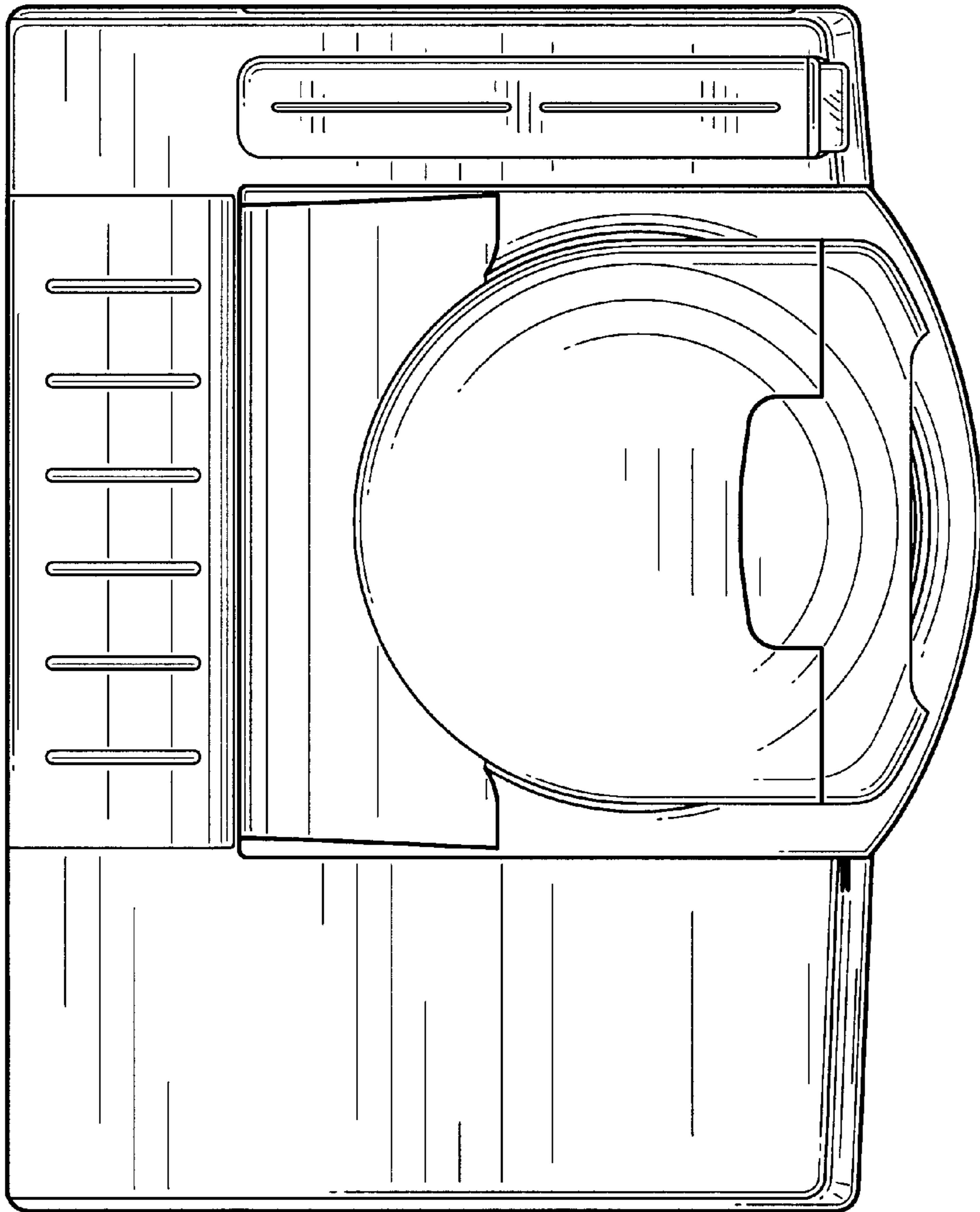


FIG. 9

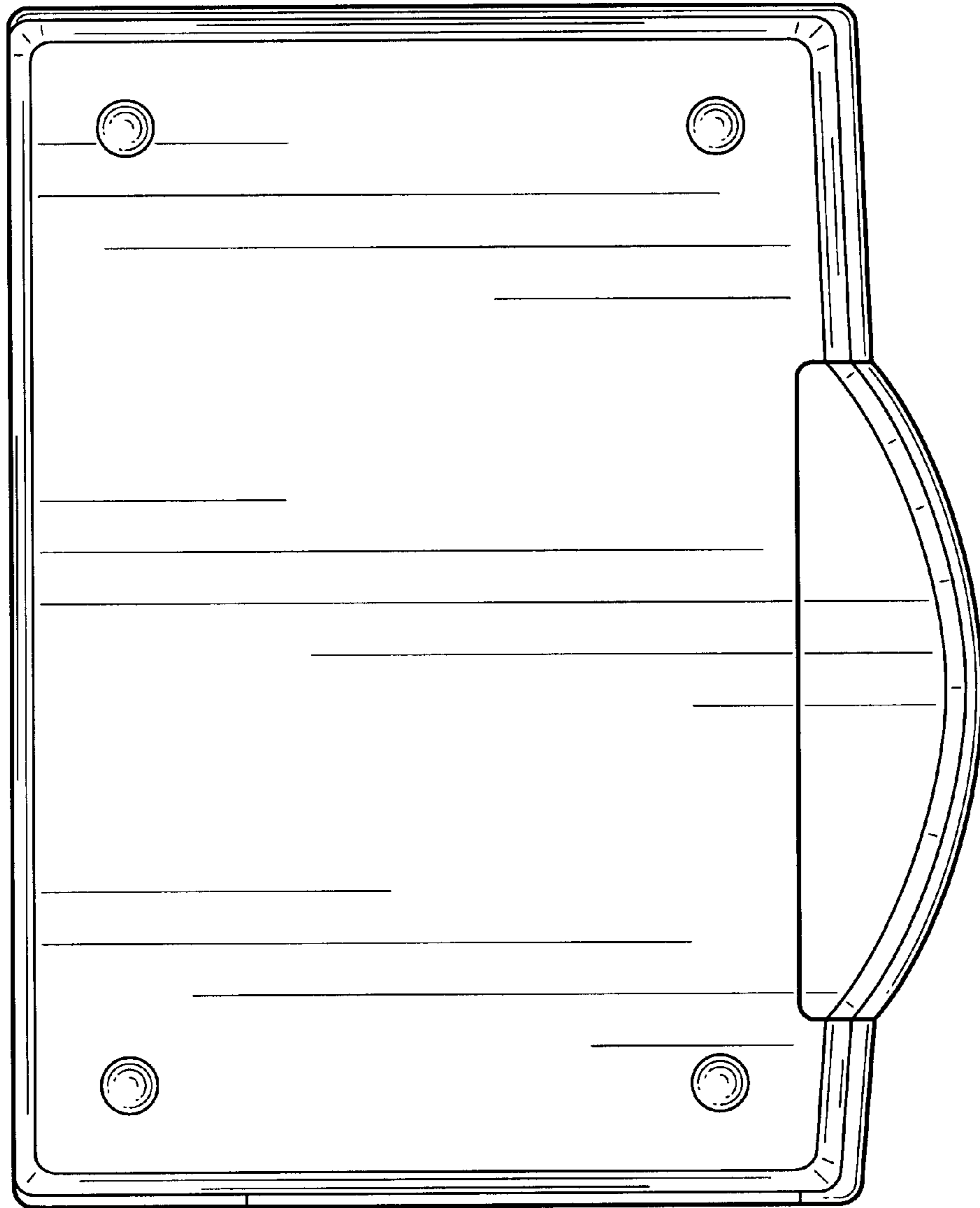


FIG. 10

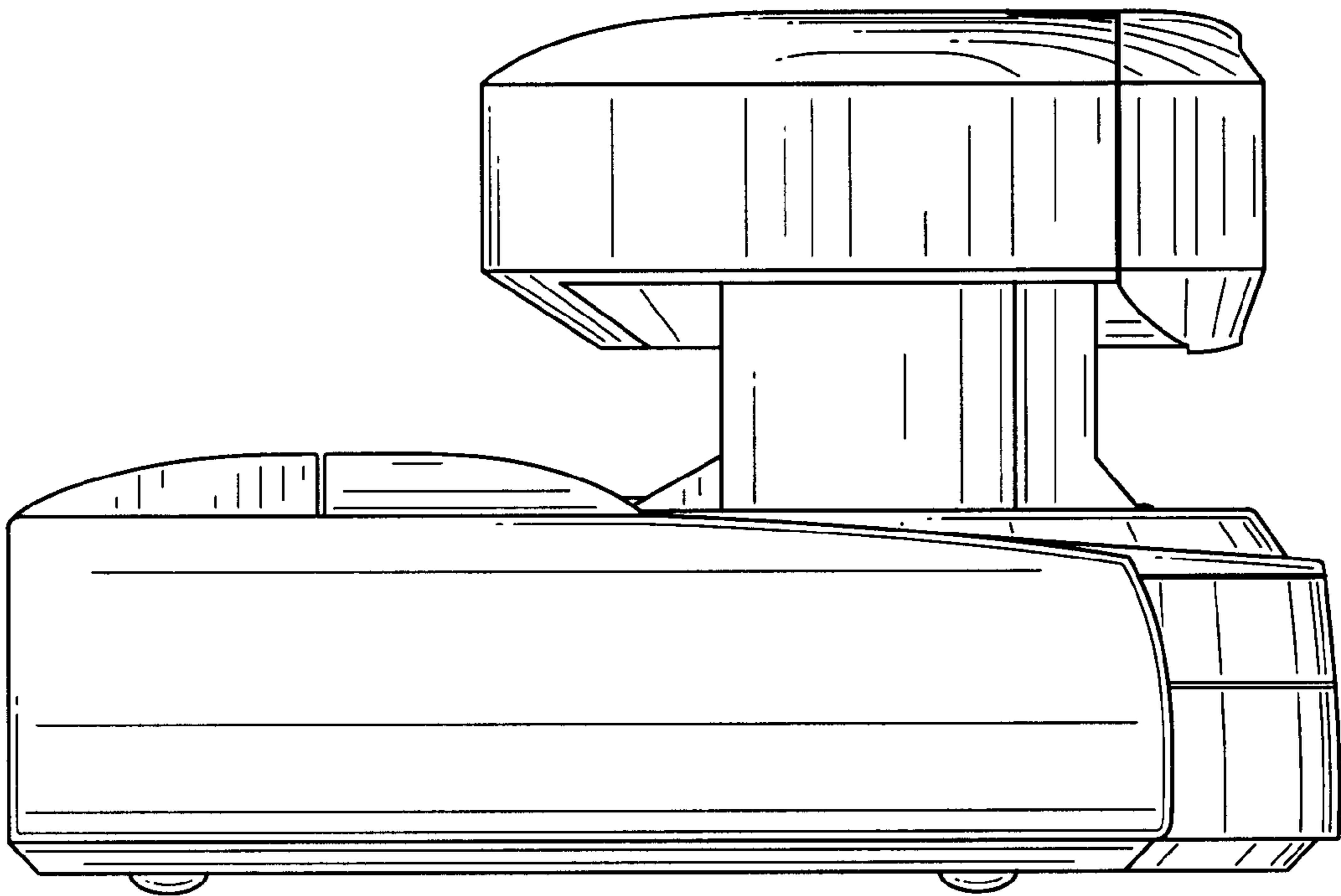


FIG. 11

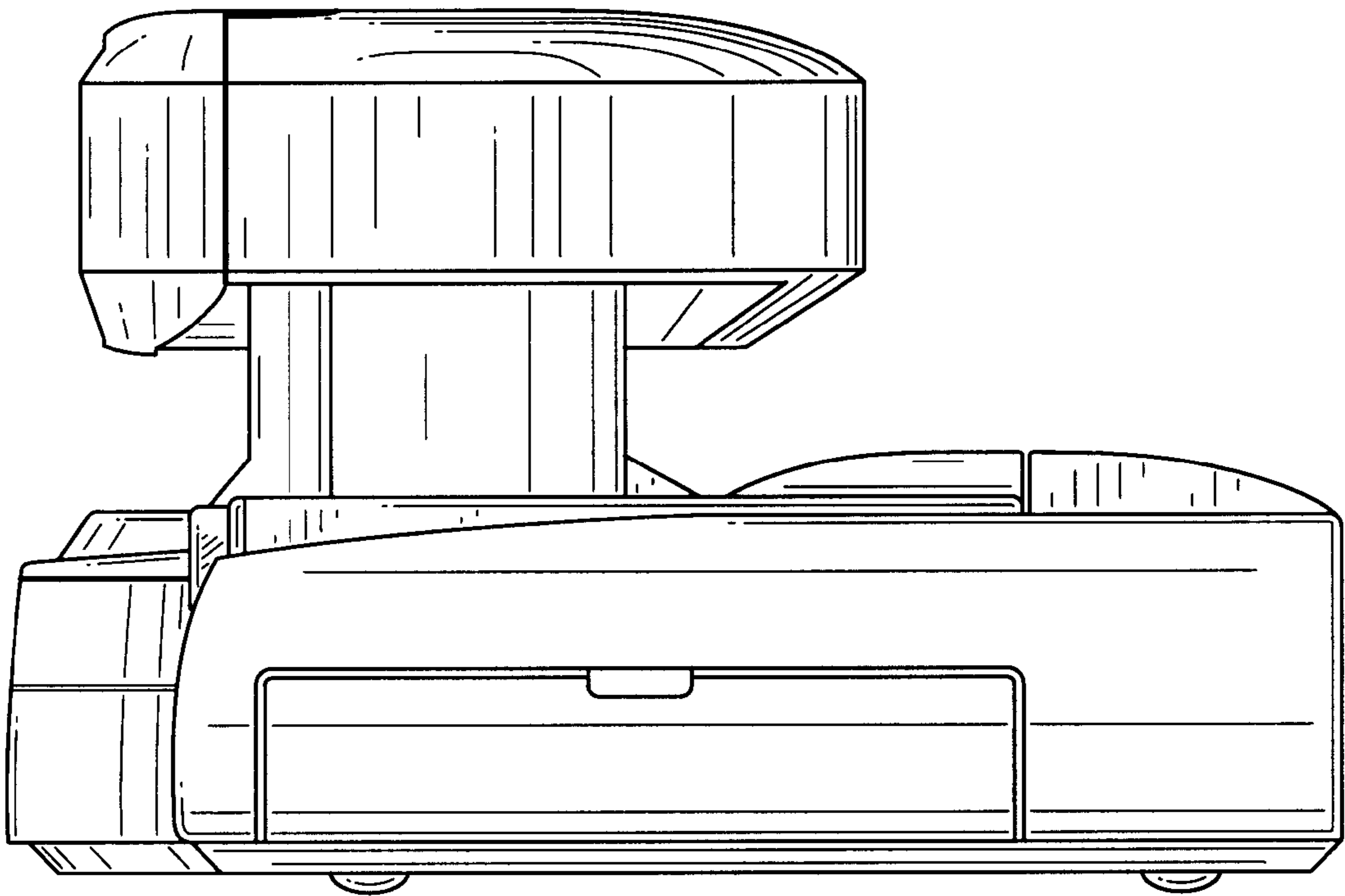


FIG. 12

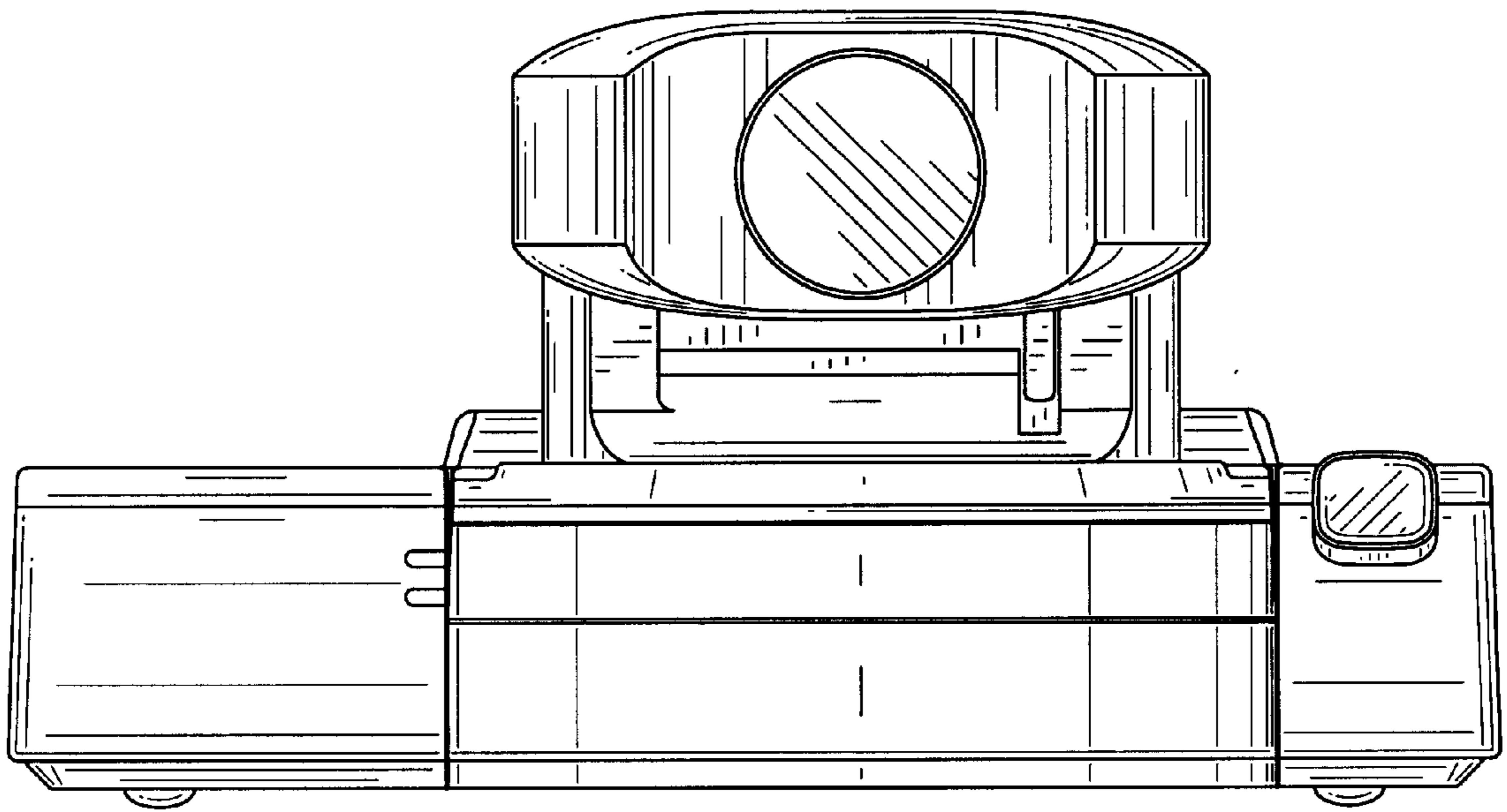


FIG. 13

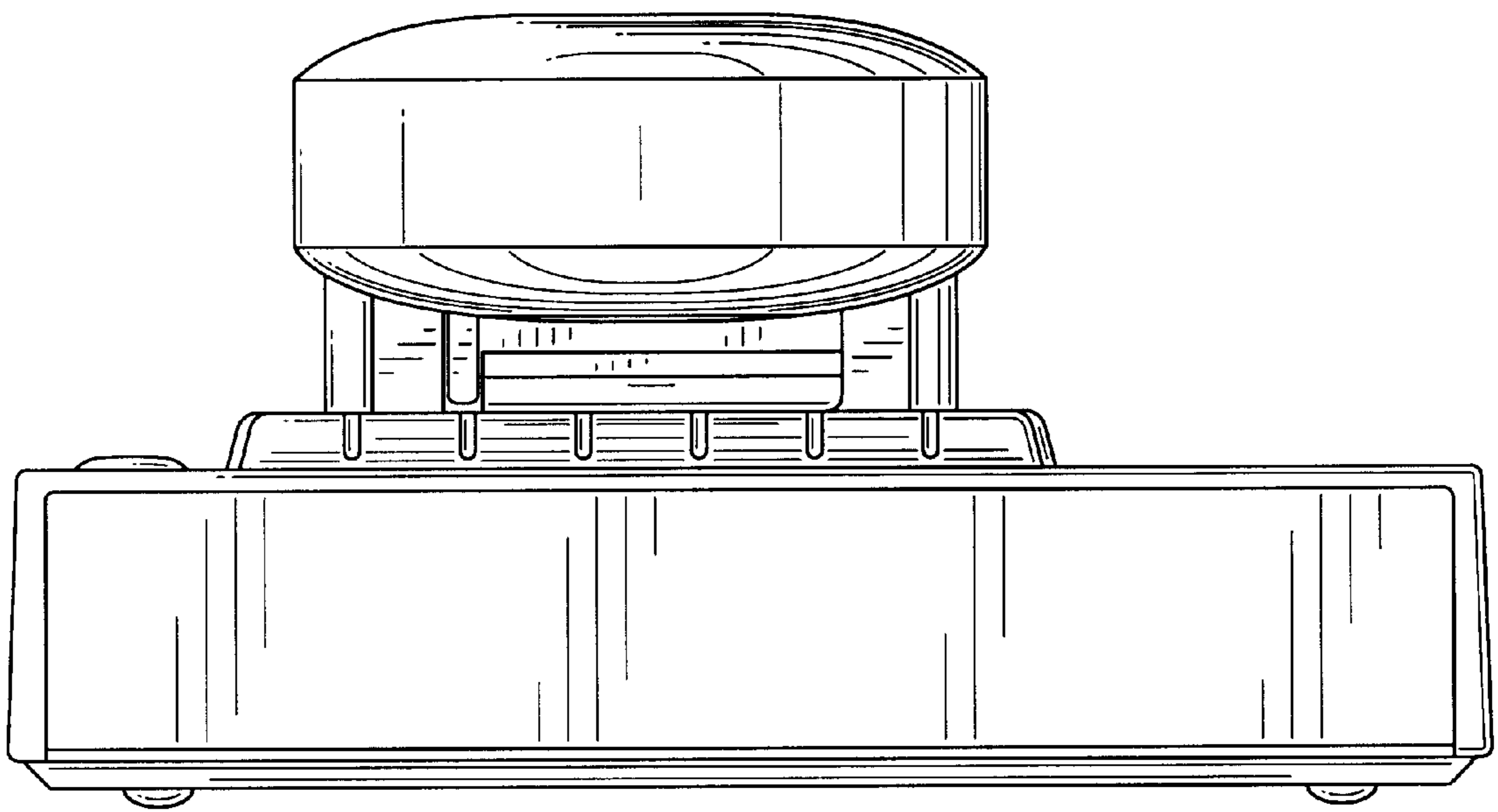


FIG. 14