



US00D433430S

United States Patent [19] Meinzer

[11] **Patent Number: Des. 433,430**

[45] **Date of Patent: ** Nov. 7, 2000**

[54] **TELESCOPE**

5,455,711 10/1995 Palmer 359/353
5,495,364 2/1996 Palmer 359/412

[75] Inventor: **Manfred Meinzer**, Hemer, Germany

[73] Assignee: **Leica Camera AG**, Solms, Germany

[**] Term: **14 Years**

Primary Examiner—Paula A. Mortimer
Attorney, Agent, or Firm—Evenson, McKeown, Edwards & Lenahan, P.L.L.C.

[21] Appl. No.: **29/118,670**

[22] Filed: **Feb. 15, 2000**

[57] CLAIM

The ornamental design for a telescope, as shown and described.

[30] Foreign Application Priority Data

Aug. 17, 1999 [DE] Germany 4 99 07 559

DESCRIPTION

[51] **LOC (7) Cl.** **16-06**

[52] **U.S. Cl.** **D16/132**

[58] **Field of Search** D16/130, 132,
D16/202, 208; 359/402, 403, 405, 418,
419, 428, 438, 815, 819, 407, 409, 411,
412, 413, 353; D14/168

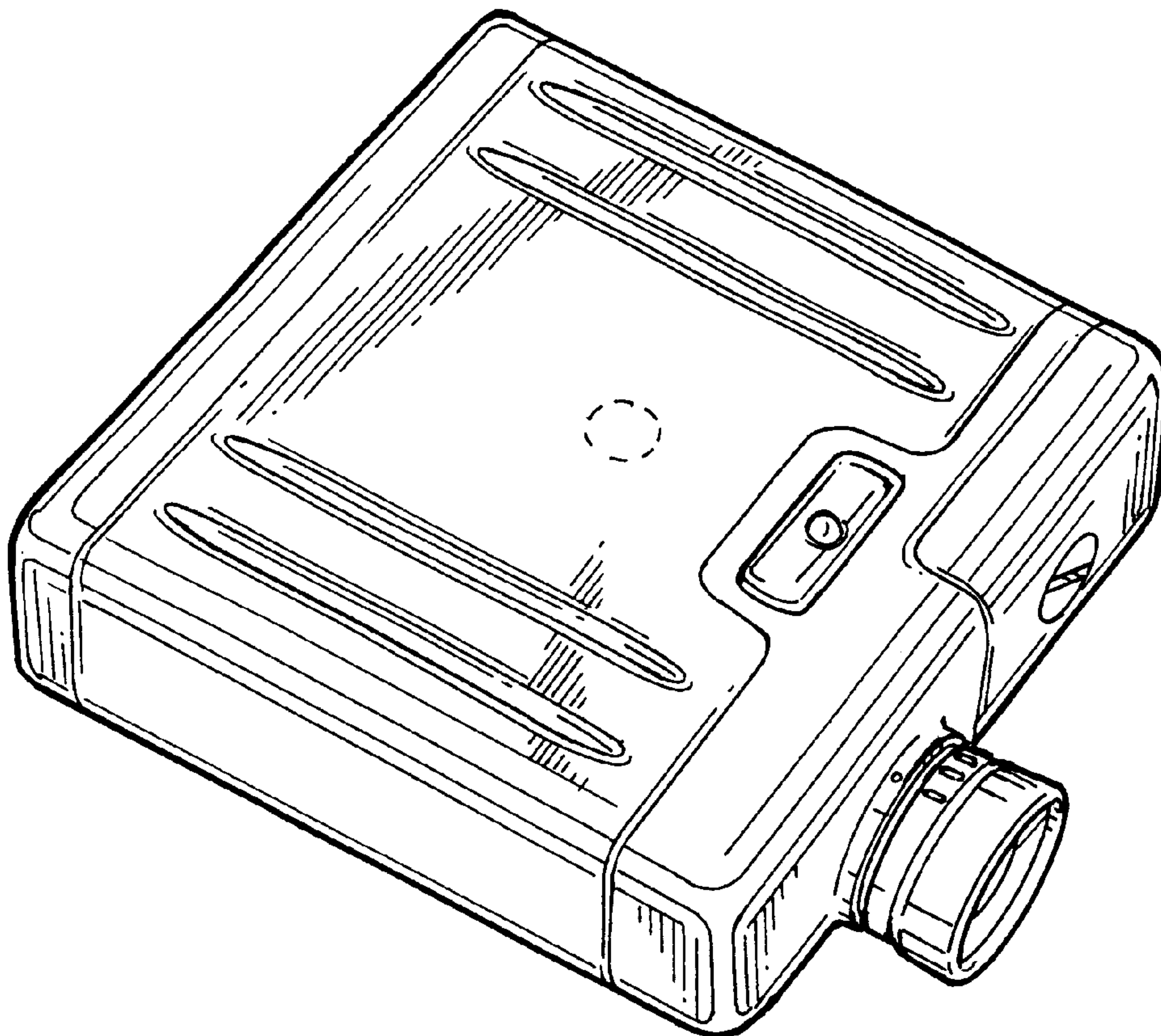
FIG. 1 is a perspective view of a telescope according to my novel design;
FIG. 2 is a top view of the telescope according to my novel design;
FIG. 3 is a bottom view of the telescope according to my novel design;
FIG. 4 is a front view of the telescope according to my novel design;
FIG. 5 is a rear view of the telescope according to my novel design;
FIG. 6 is a side view of the telescope according to my novel design; and,
FIG. 7 is a side view of the telescope according to my novel design.
The broken line showing of the central circular member in FIGS. 1 and 2 is for illustrative purposes only and forms no part of the claimed design.

[56] References Cited

U.S. PATENT DOCUMENTS

D. 313,237	12/1990	Fukuda et al.	D16/202
D. 316,866	5/1991	Tejima et al.	D16/202
D. 340,732	10/1993	Sano et al.	D16/202
D. 347,441	5/1994	Lutter et al.	D16/132
D. 371,786	7/1996	Maeyama	D14/168
D. 390,580	2/1998	Ogasawara et al.	D16/132
D. 395,440	6/1998	Ogasawara et al.	D16/132
4,205,894	6/1980	Filipovich et al.	D16/132 X

1 Claim, 3 Drawing Sheets



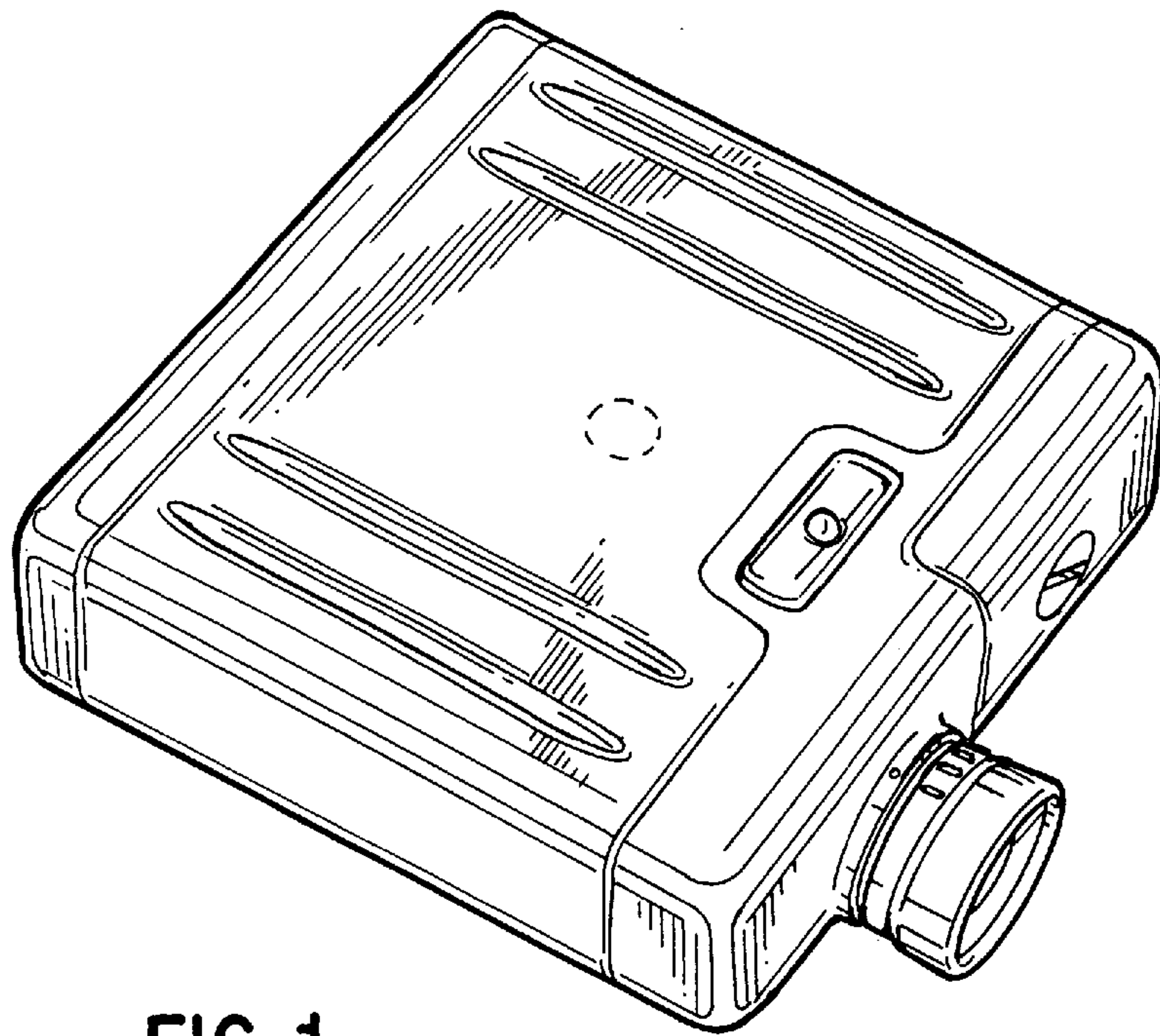


FIG. 1

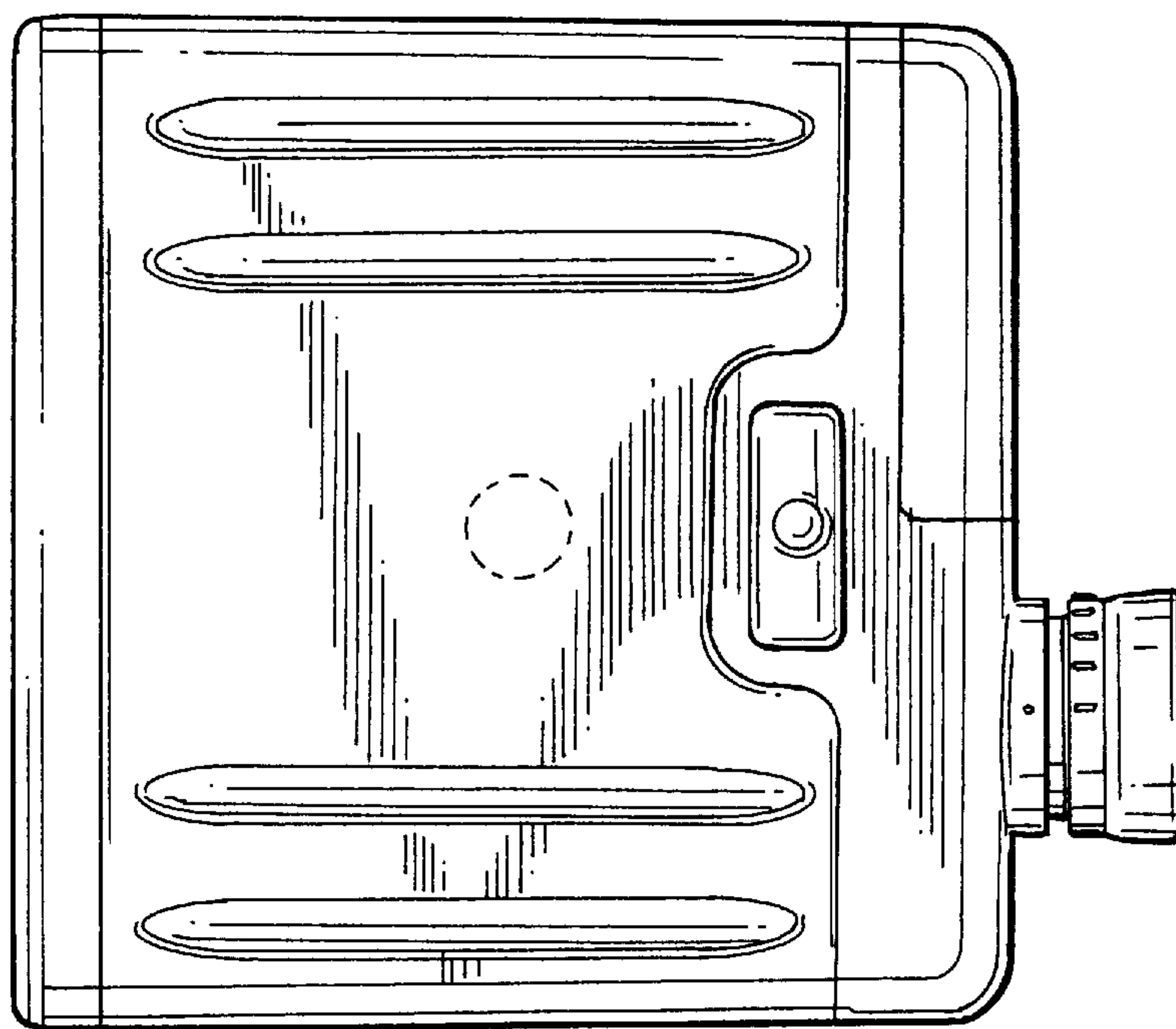


FIG. 2

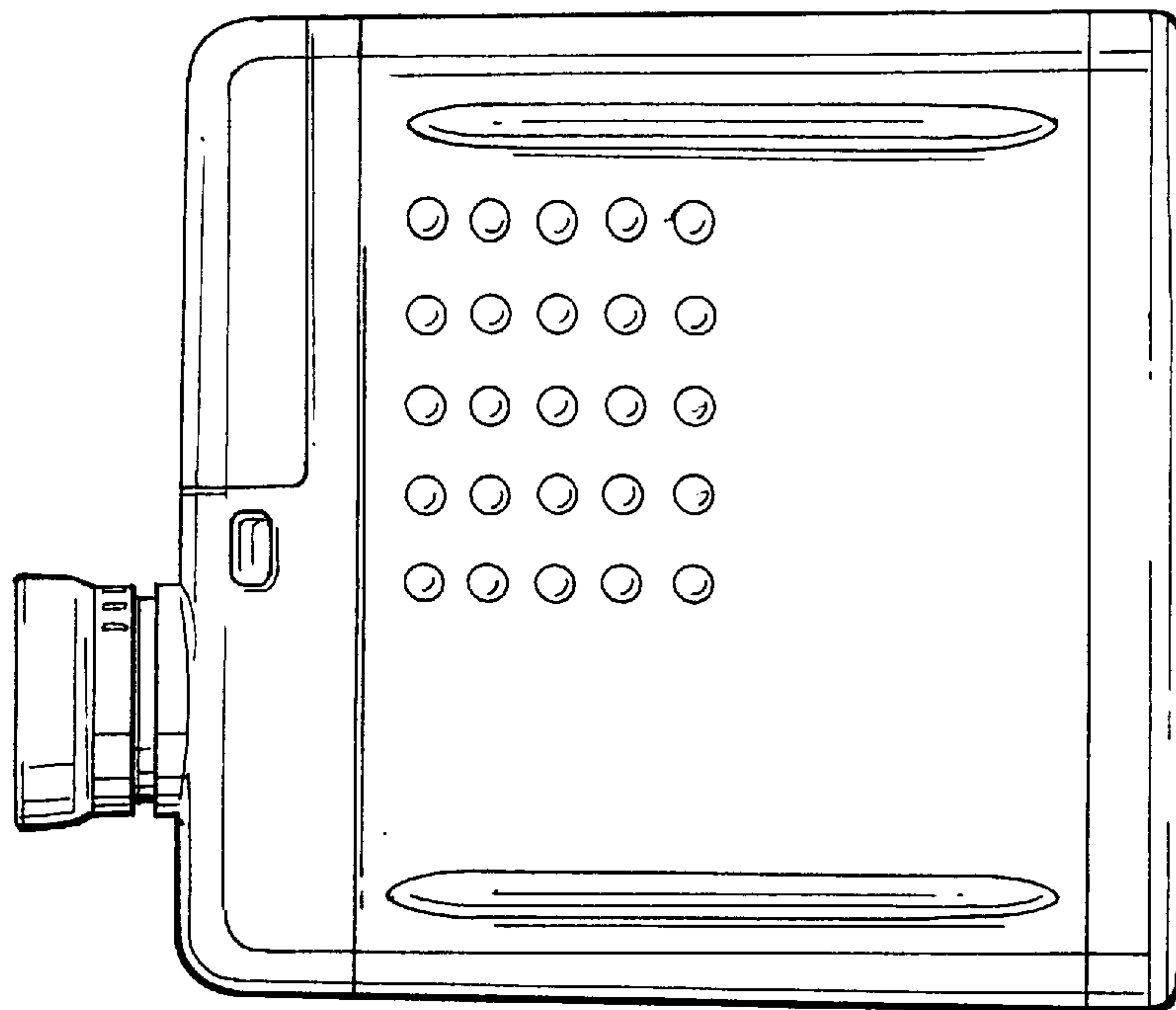


FIG. 3

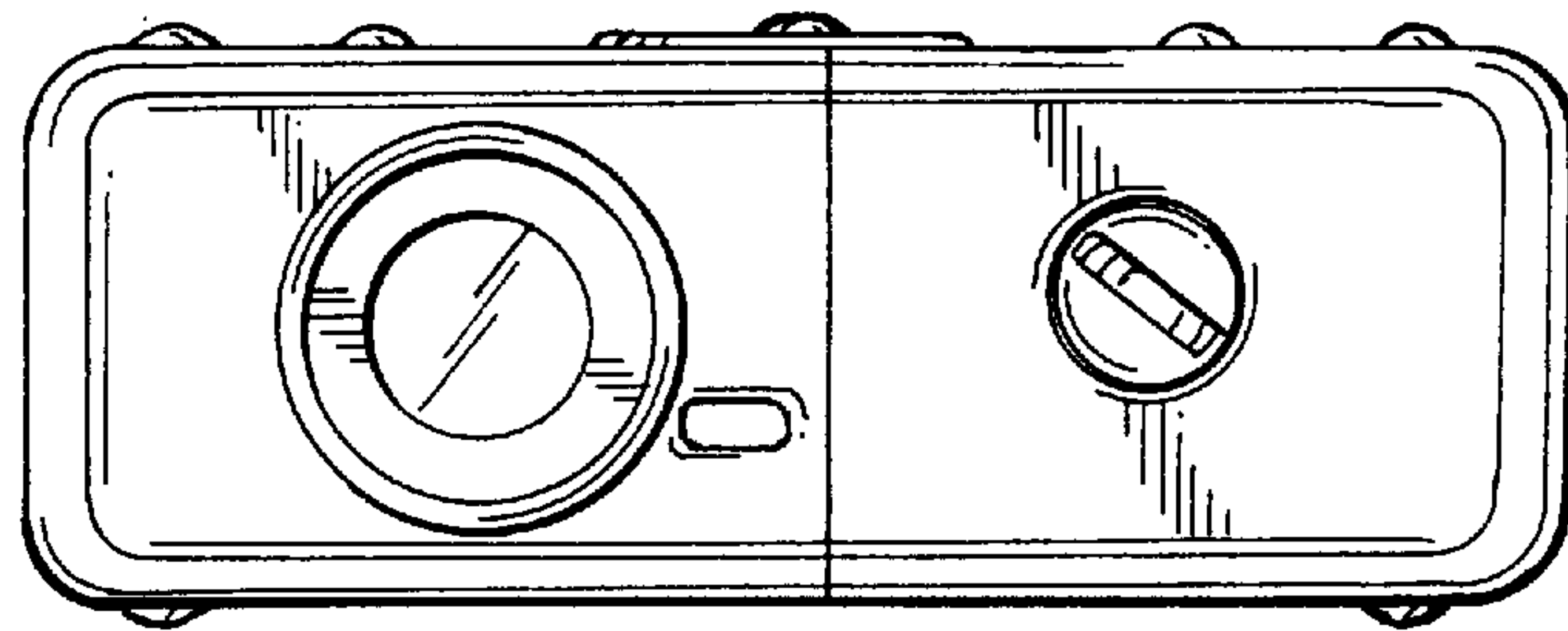


FIG. 4

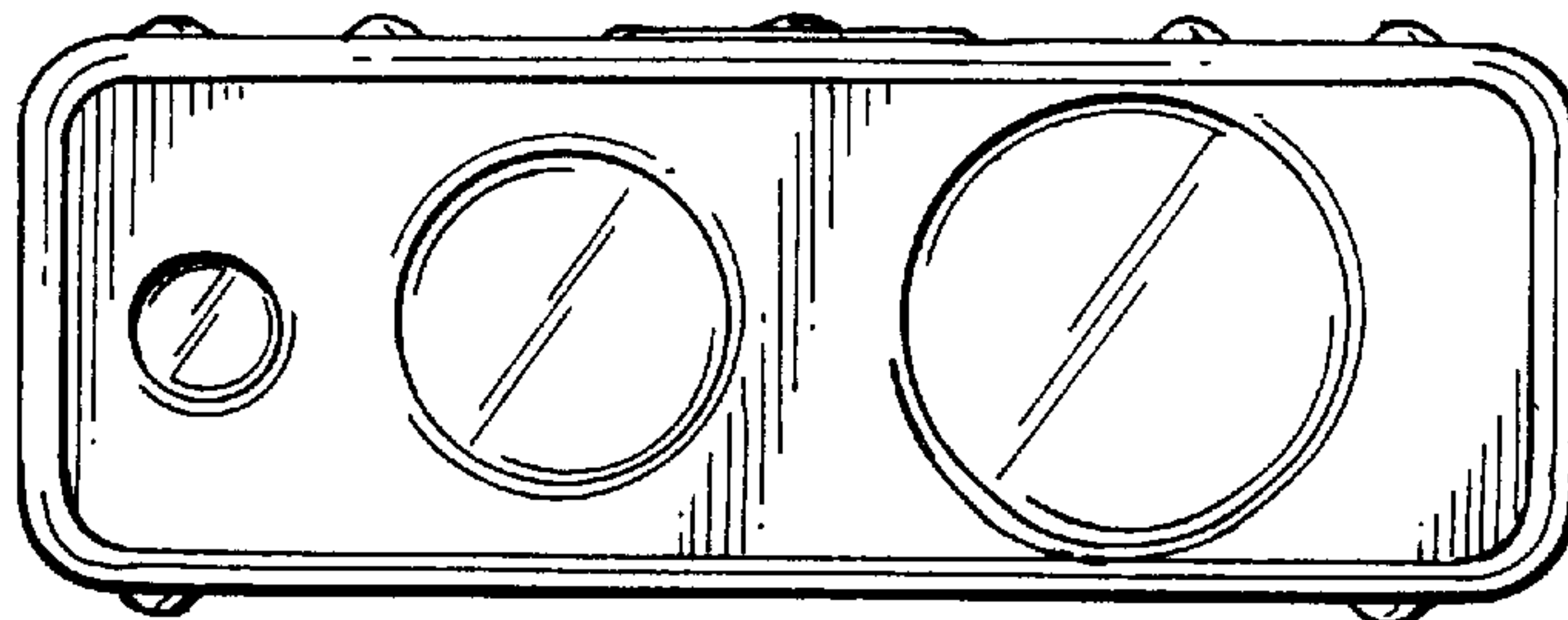


FIG. 5

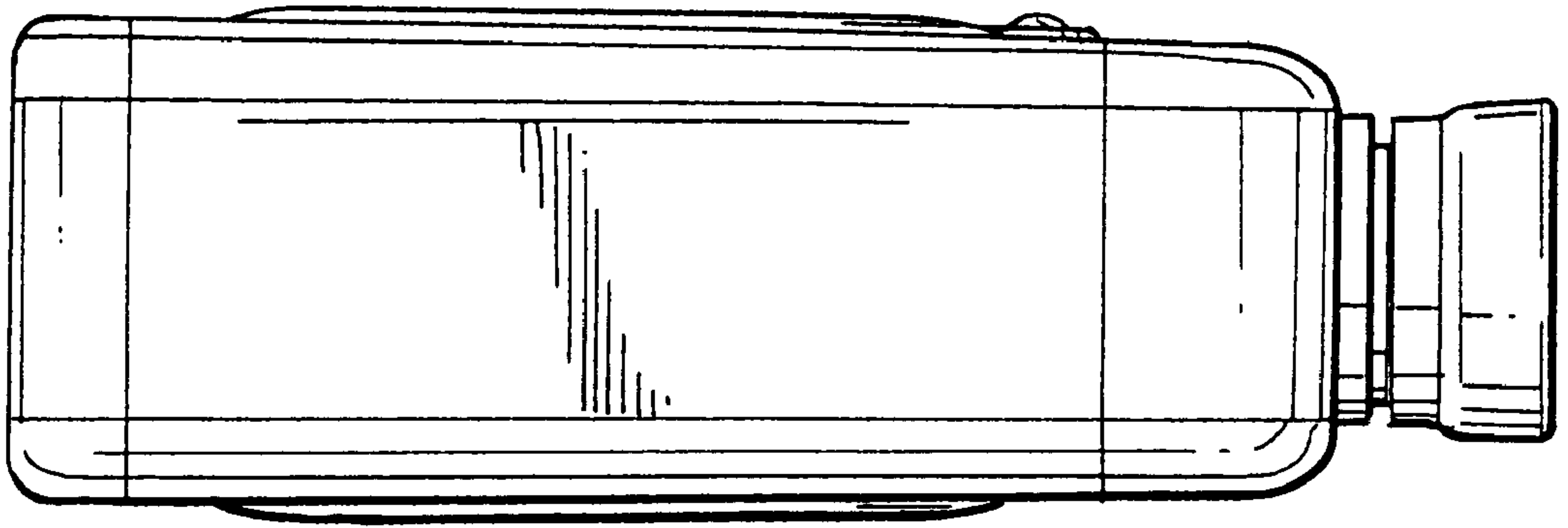


FIG. 6

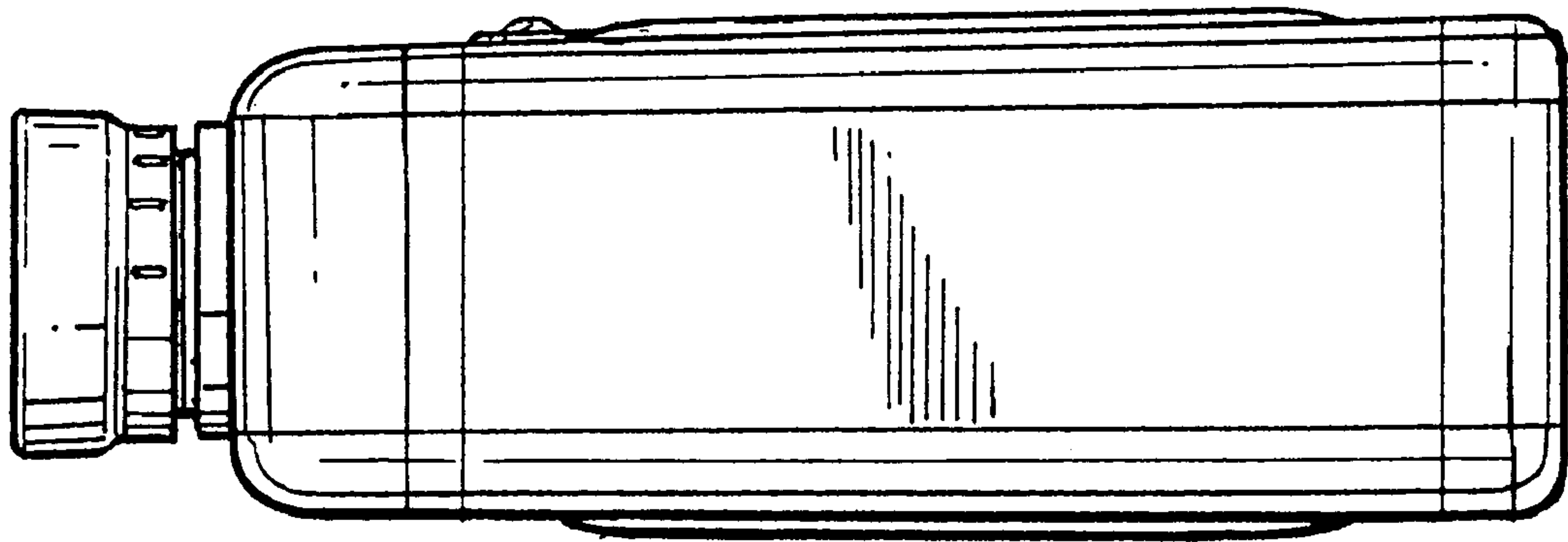


FIG. 7