



US00D433429S

# United States Patent [19] Groetsch

[11] **Patent Number: Des. 433,429**

[45] **Date of Patent: \*\* Nov. 7, 2000**

[54] **DRAINING CANISTER HOLDER**

[75] Inventor: **Charles A. Groetsch**, 759 E. County Rd. F, Vadnais Heights, Minn. 55127

[73] Assignee: **Charles A. Groetsch**, Vadnais Heights, Minn.

[\*\*] Term: **14 Years**

[21] Appl. No.: **29/112,164**

[22] Filed: **Oct. 8, 1999**

[51] **LOC (7) Cl.** ..... **15-99**

[52] **U.S. Cl.** ..... **D15/150**

[58] **Field of Search** ..... D6/512, 567; D32/35, D32/45, 58; D15/150-152; 141/331, 340, 341, 342, 343

[56] **References Cited**

**U.S. PATENT DOCUMENTS**

D. 360,214	7/1995	Loudon	.....	D15/150
5,291,921	3/1994	Devine	.....	141/340
5,899,246	5/1999	Cummins et al.	.....	141/331

*Primary Examiner*—Brian N. Vinson

*Attorney, Agent, or Firm*—Gerald E. Helget; Nelson R. Capes; Rider, Bennett, Egan & Arundel, LLP

[57] **CLAIM**

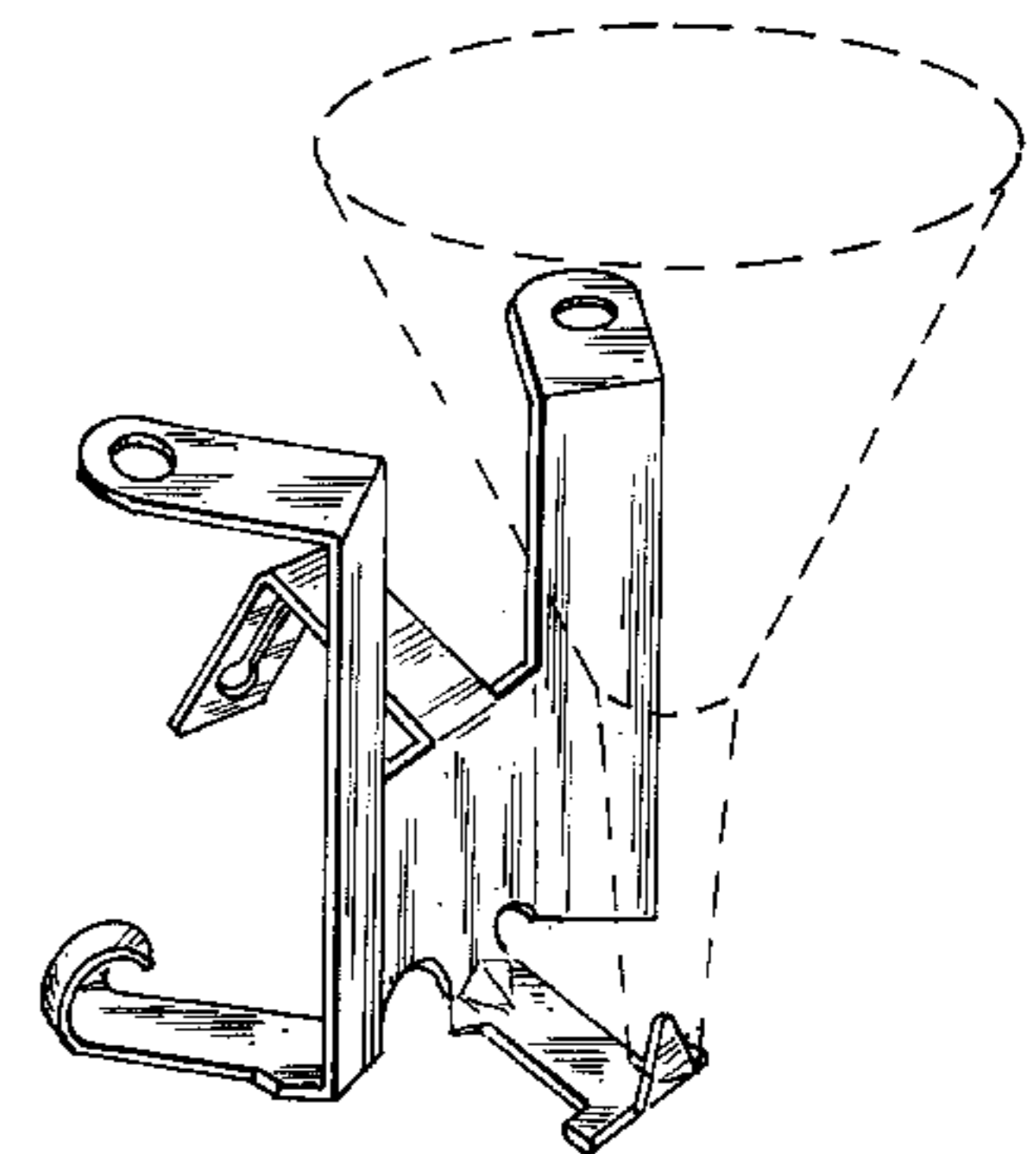
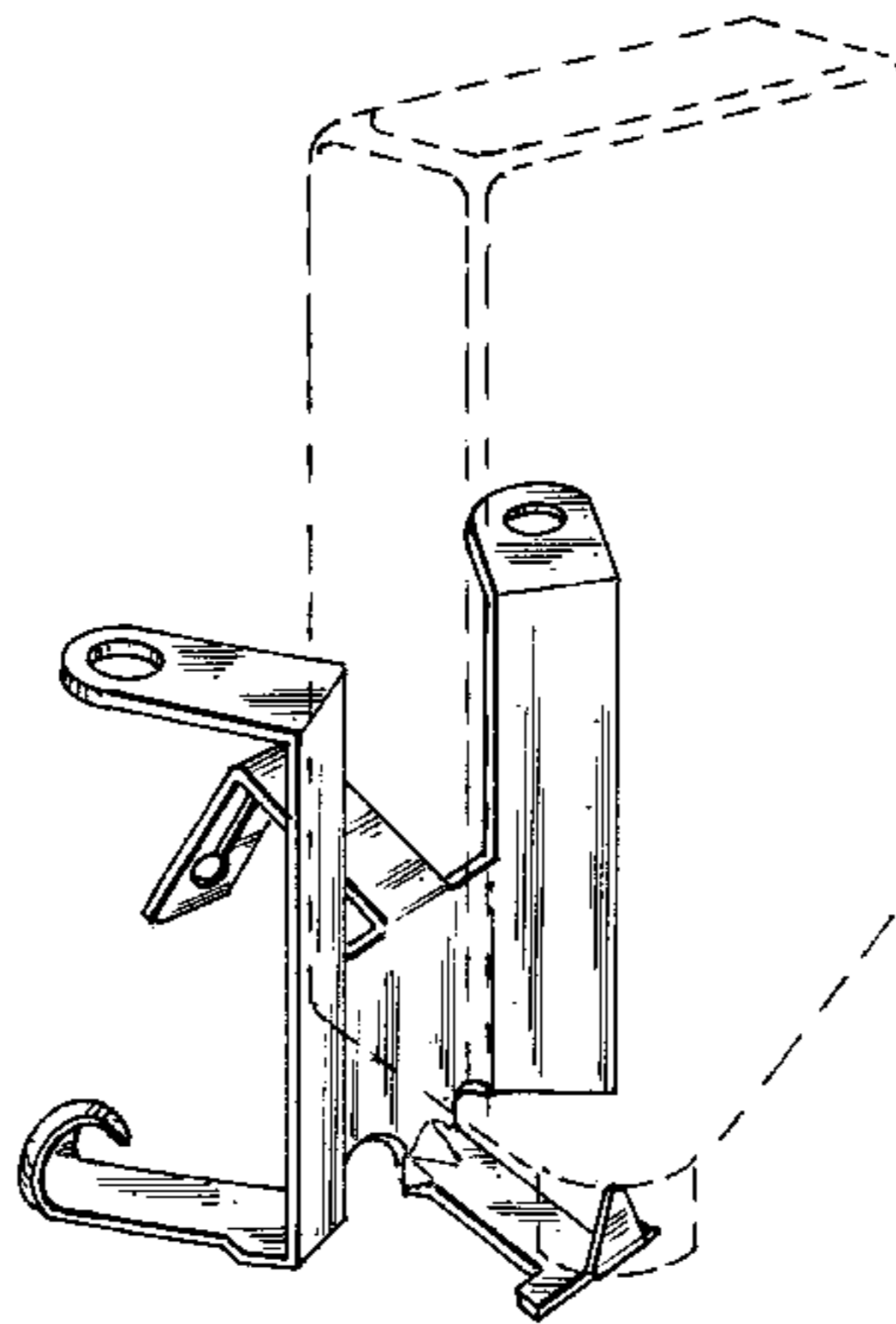
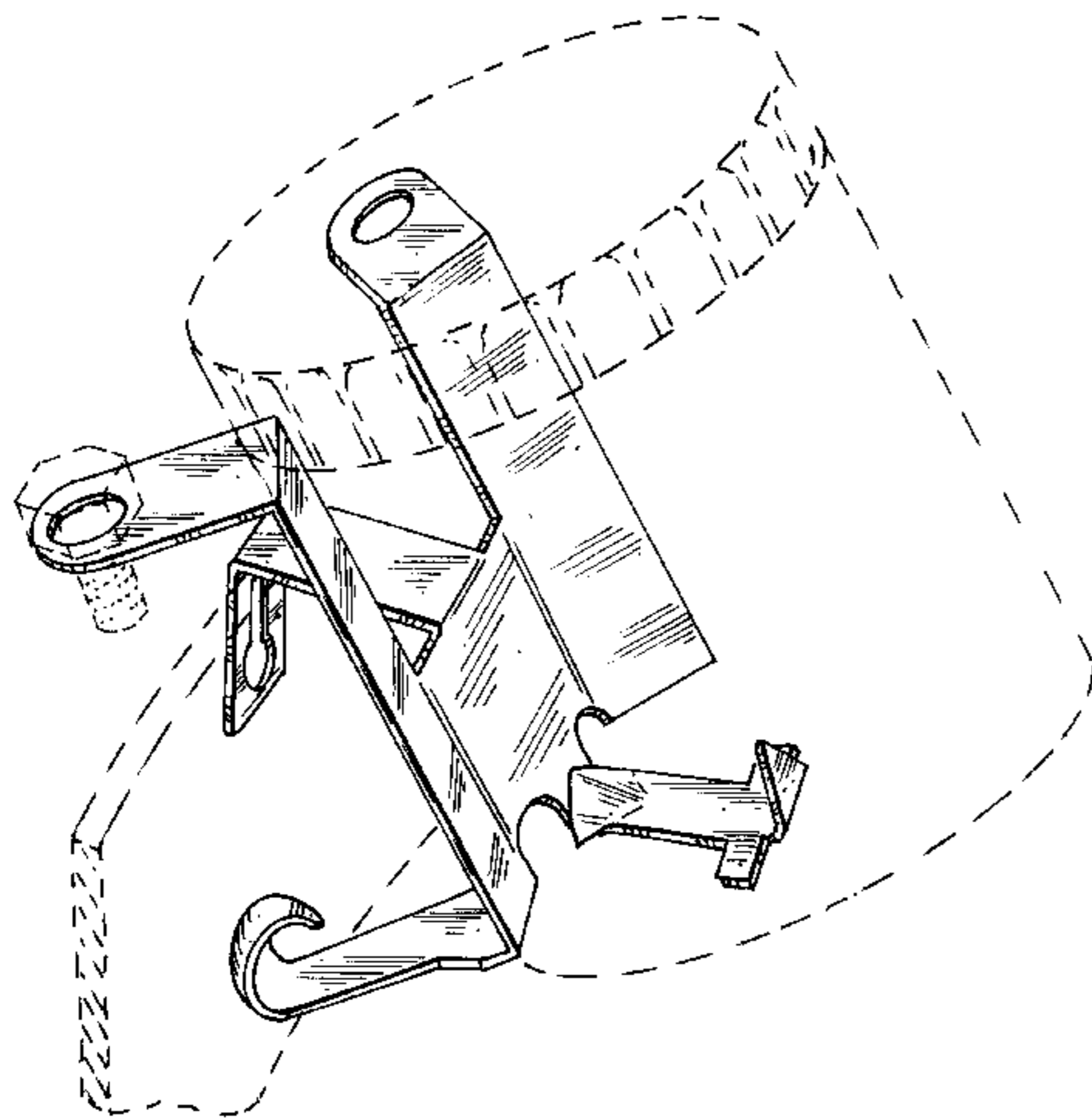
The ornamental design for a draining canister holder, as shown and described.

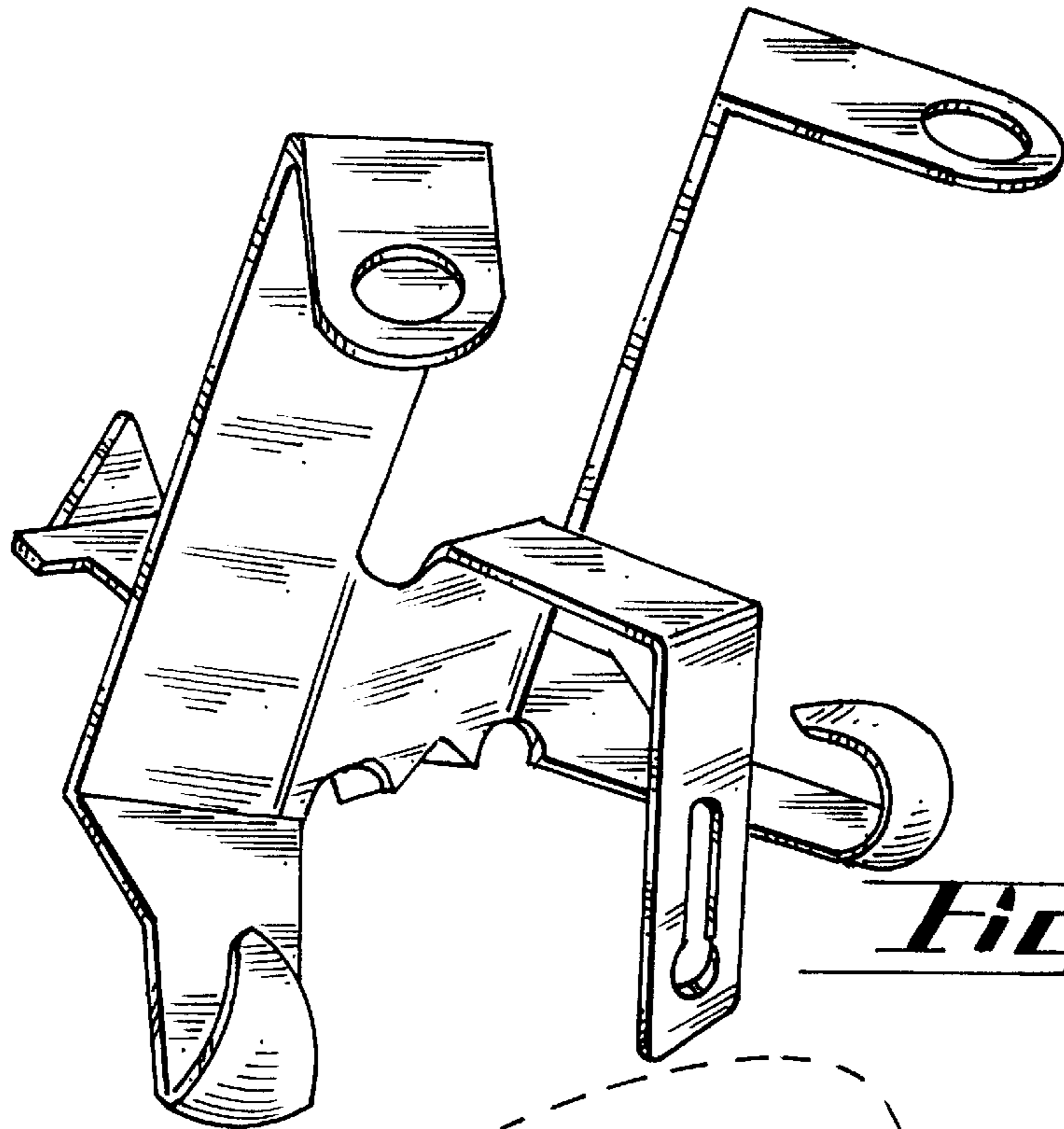
**DESCRIPTION**

FIG. 1 is a perspective view of a draining canister holder showing my new design;  
 FIG. 2 is another perspective view;  
 FIG. 3 is a rear elevational view;  
 FIG. 4 is a bottom plan view;  
 FIG. 5 is a top plan view;  
 FIG. 6 is a right side elevational view which is a mirror image of the left side;  
 FIG. 7 is a front elevational view;  
 FIG. 8 is another perspective view; and,  
 FIG. 9 is another perspective view.

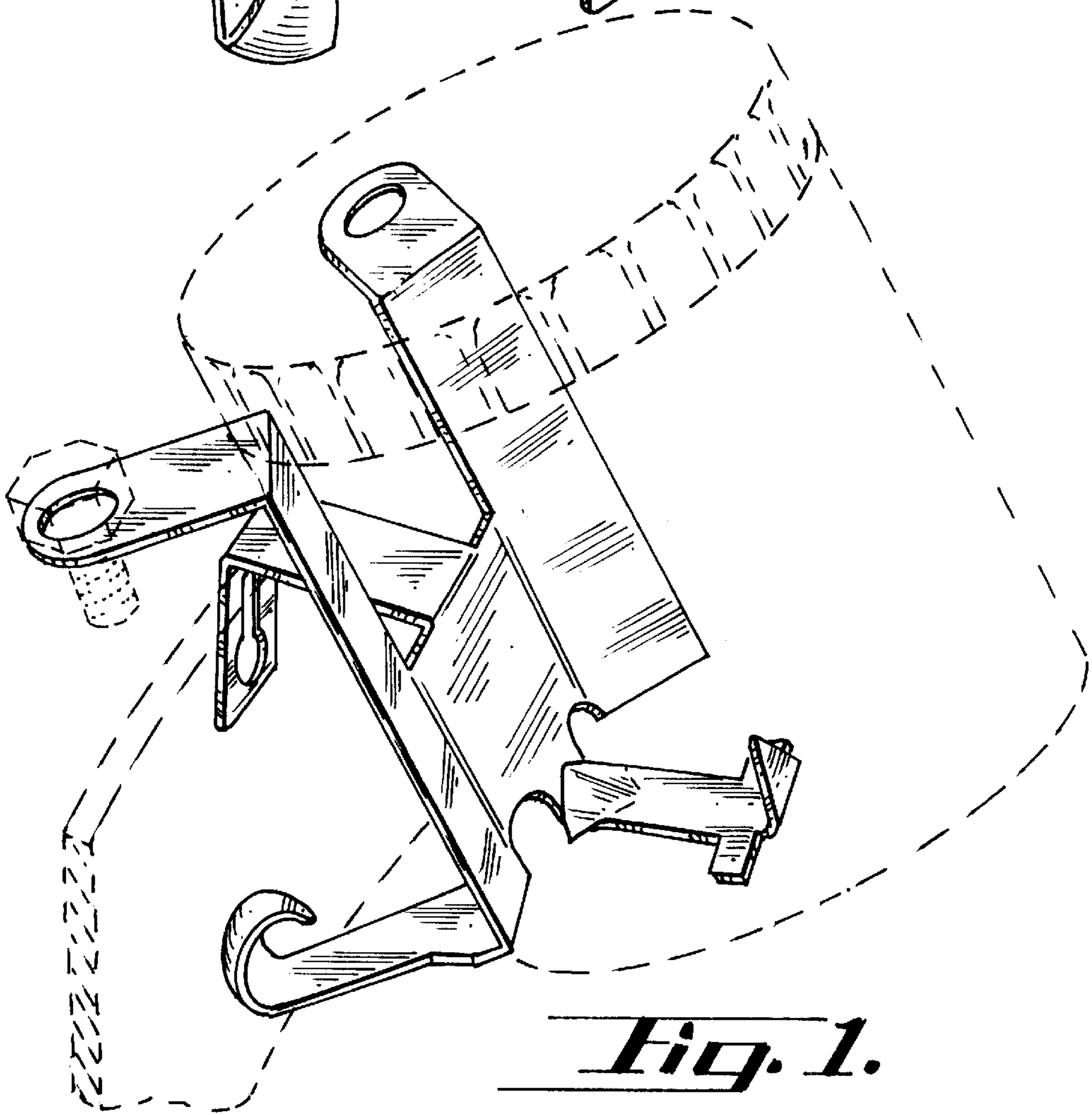
The broken-line disclosure of an oil filter, screw and fragmentary surface in FIG. 1, bottle in FIG. 8, and funnel in FIG. 9 are for illustrative purposes only and form no part of the claimed design.

**1 Claim, 4 Drawing Sheets**

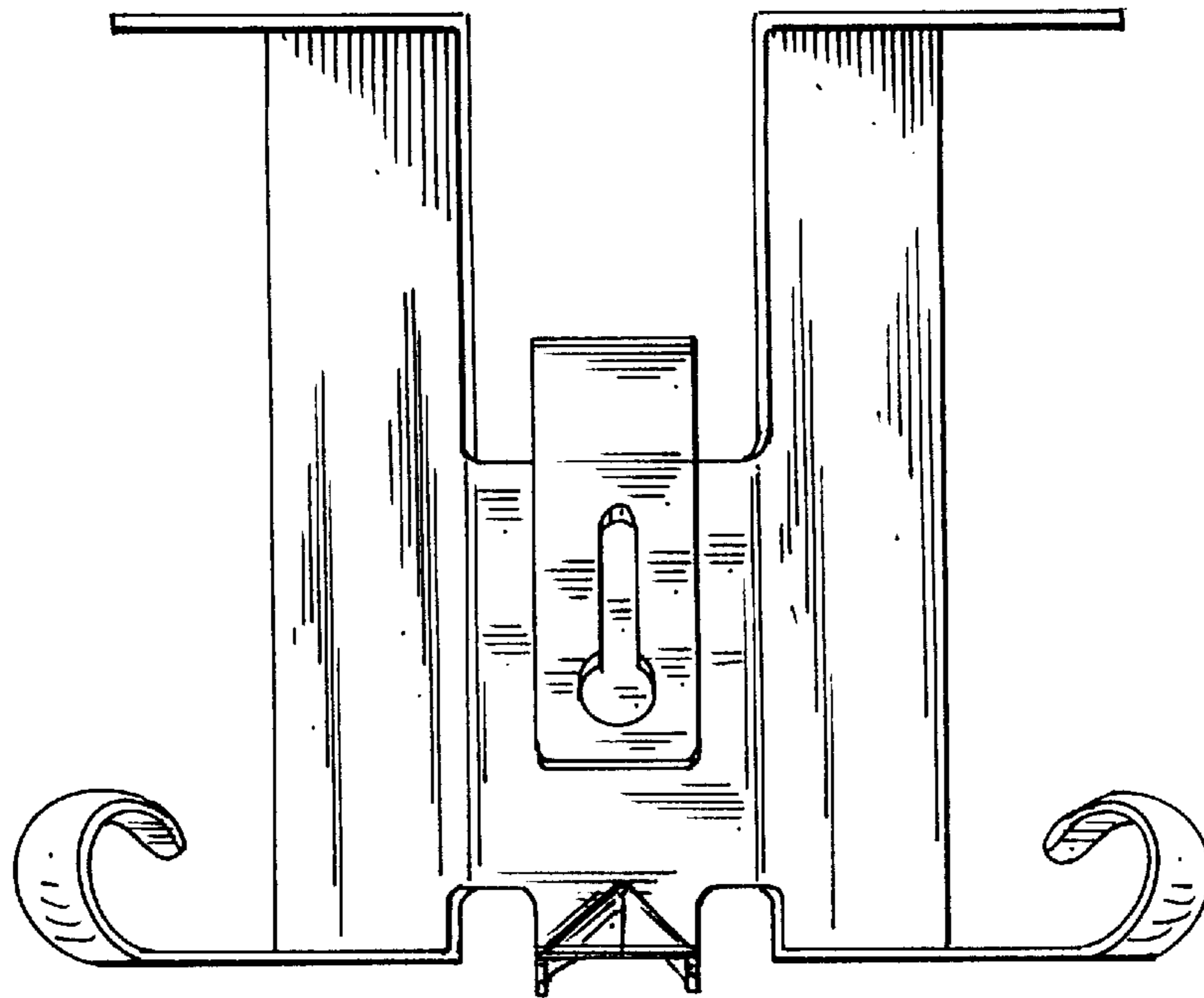




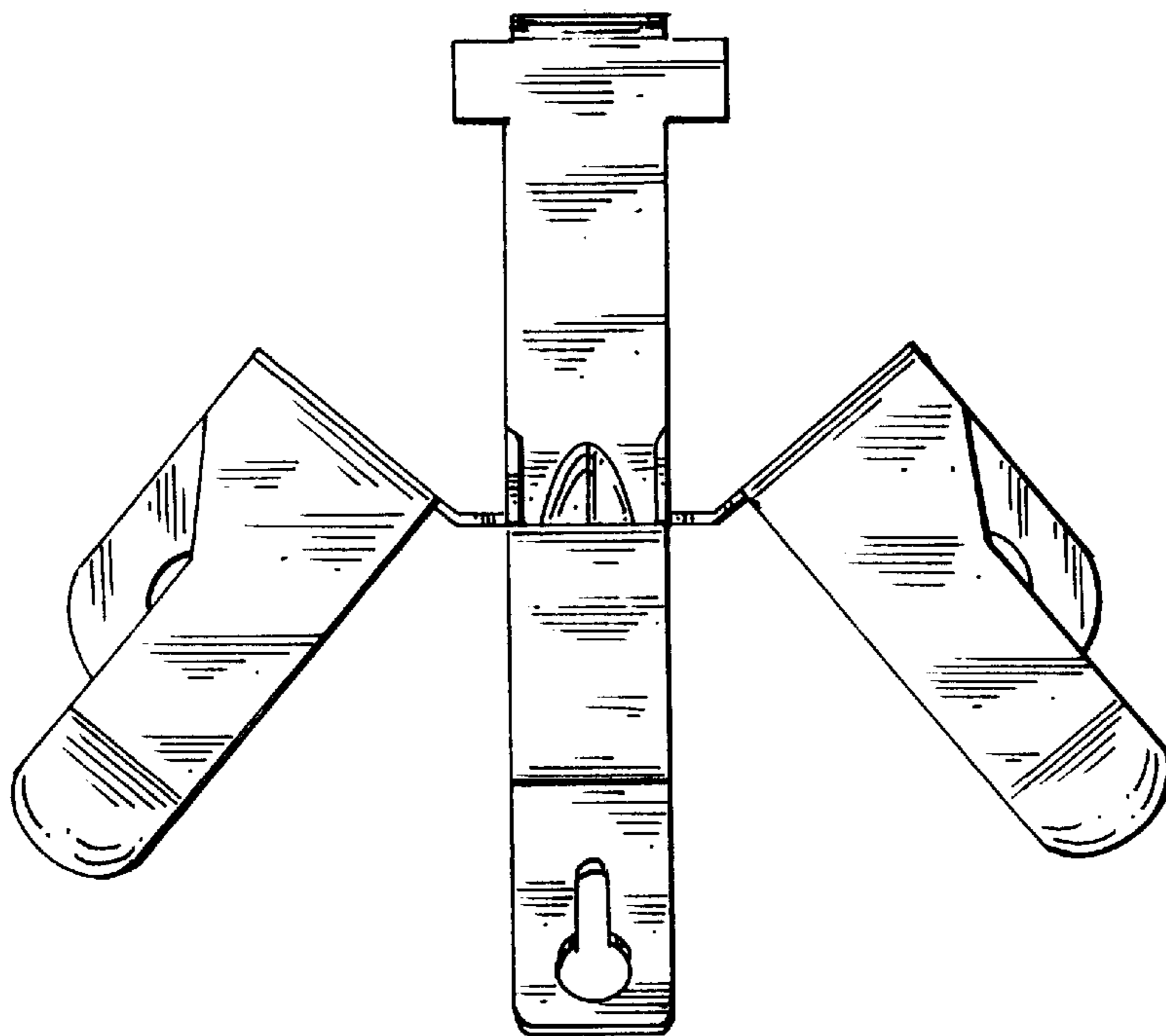
*Fig. 2.*



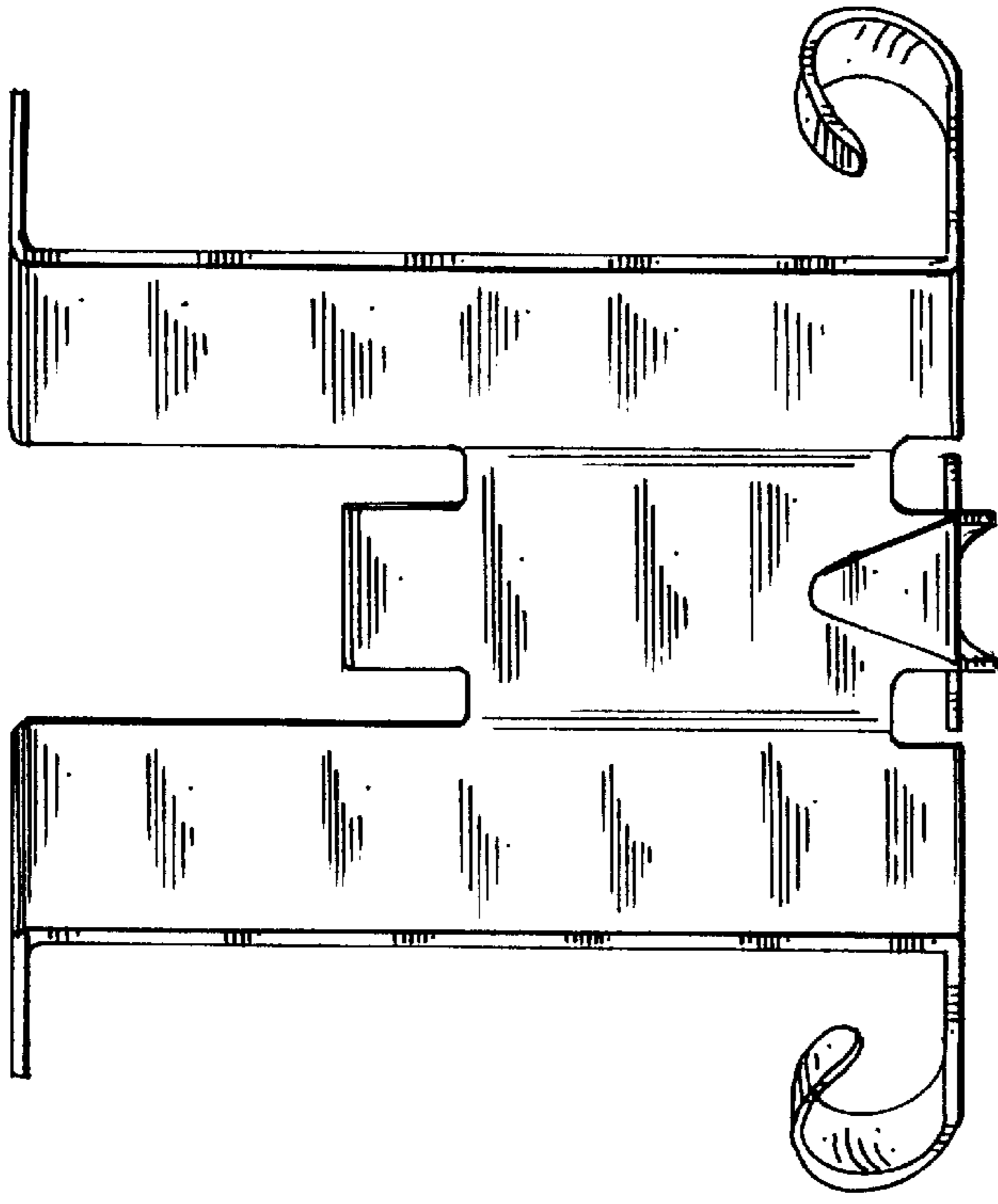
*Fig. 1.*



*Fig. 3.*

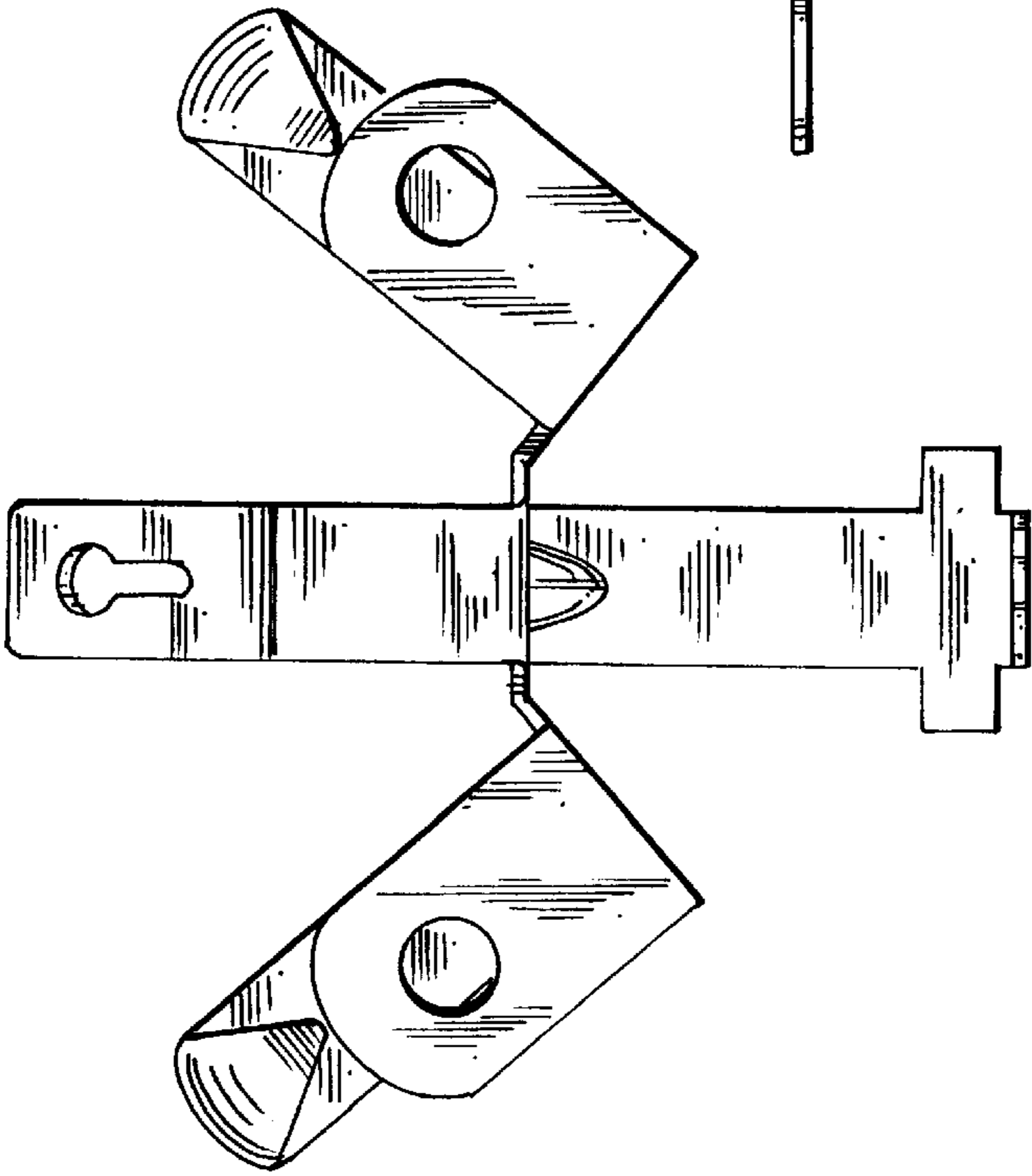
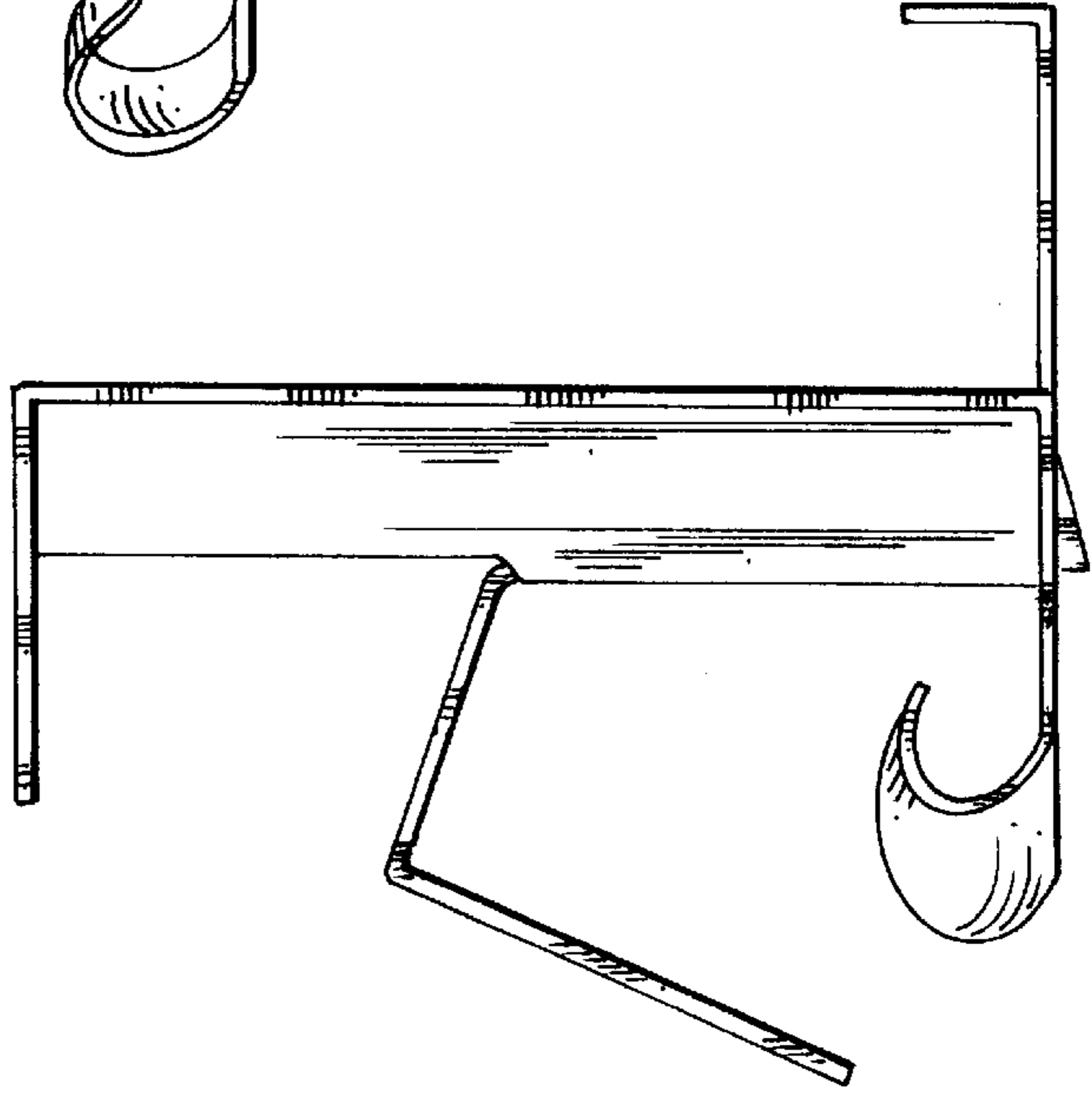


*Fig. 4.*

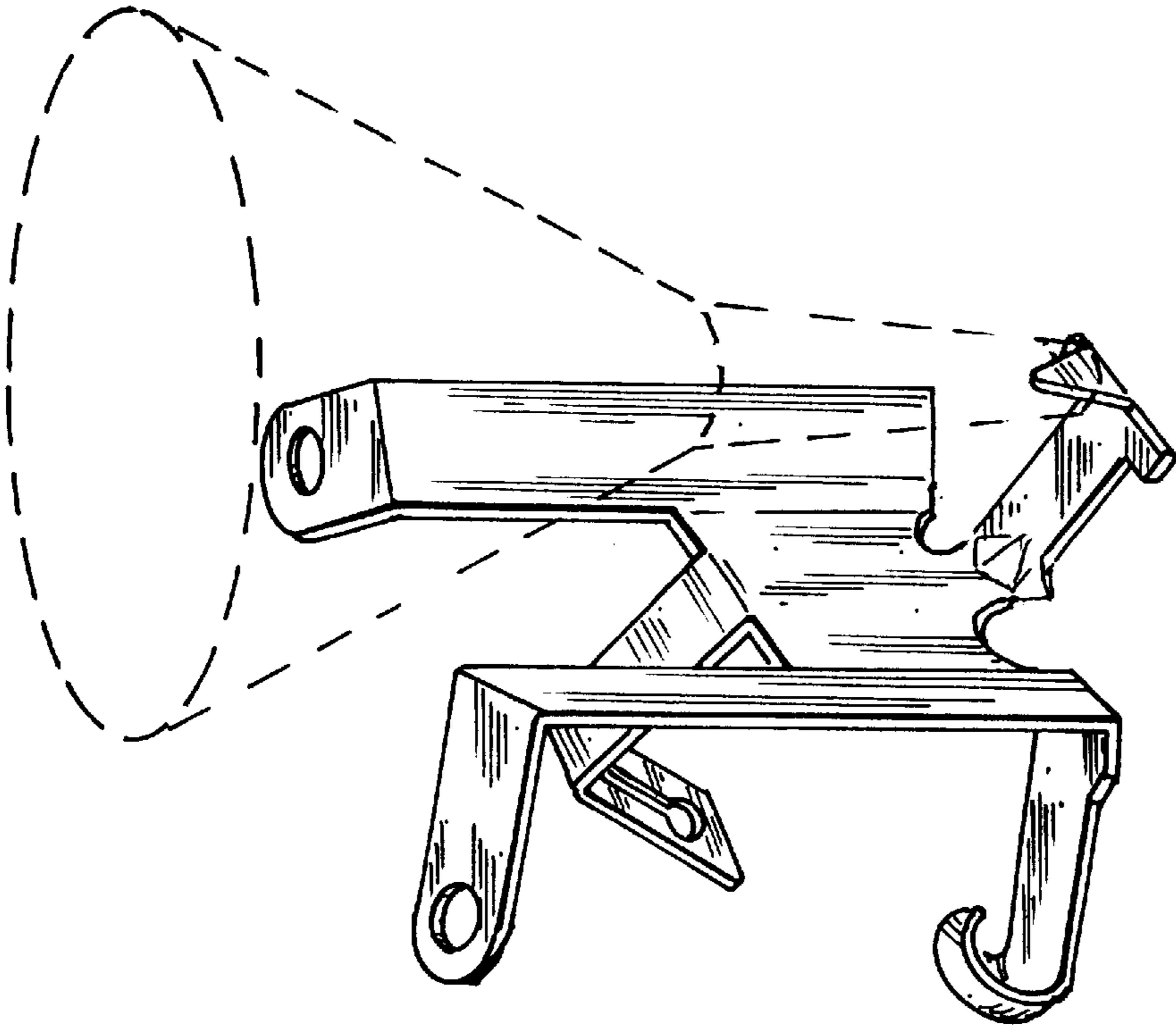


*Fig. 7.*

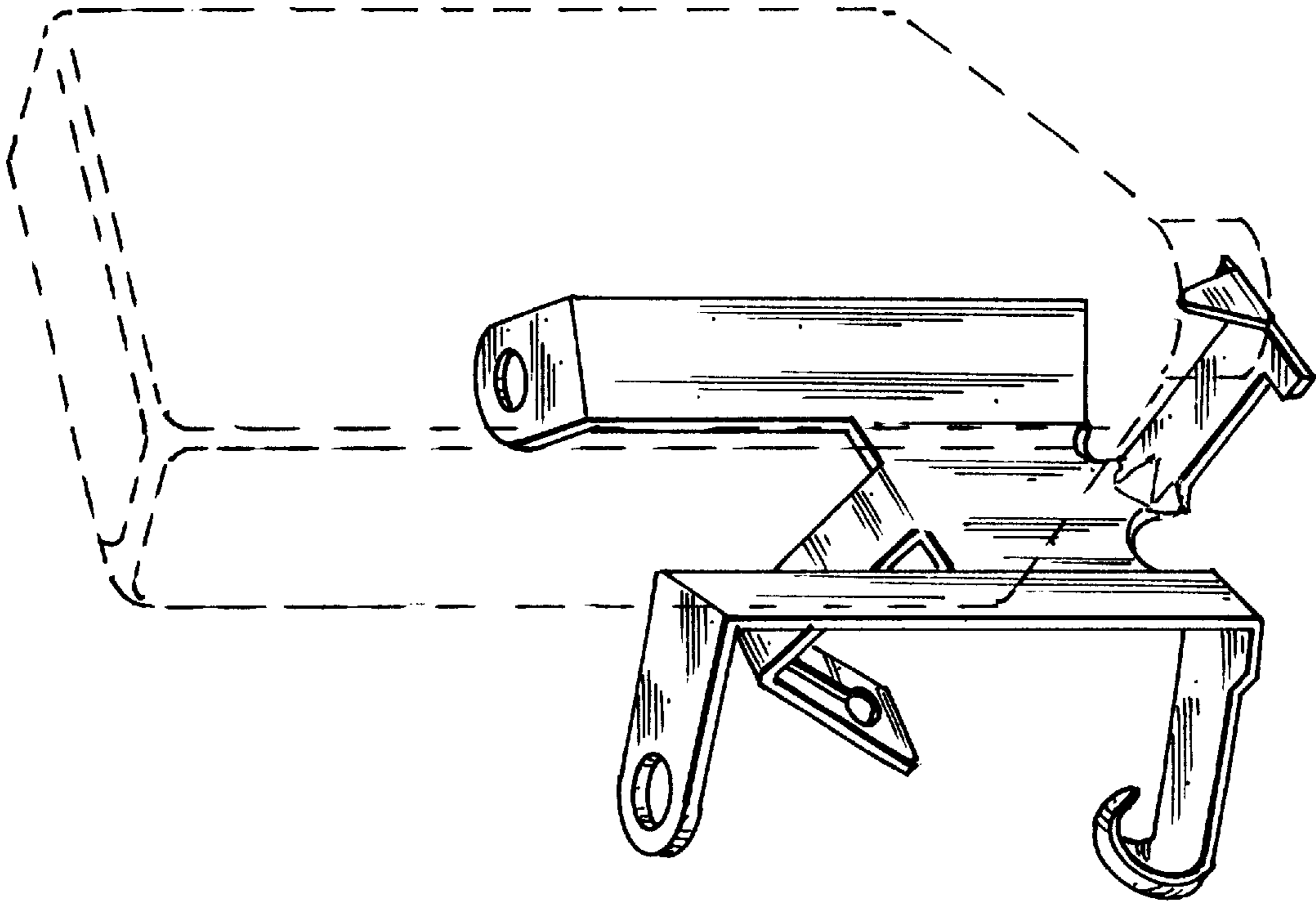
*Fig. 8.*



*Fig. 9.*



*Fig. 8.*



*Fig. 9.*