



US00D433428S

United States Patent [19] Pullen

[11] Patent Number: Des. 433,428

[45] Date of Patent: ** Nov. 7, 2000

[54] STUMP GRINDER

3,336,958 8/1967 Carlton 144/24.12

[75] Inventor: **Darren J. Pullen**, Cranbourne, Australia

Primary Examiner—Antoine Duval Davis
Attorney, Agent, or Firm—Birch, Stewart, Kolasch & Birch, LLP

[73] Assignee: **D.J. & M.G. Pullen Nominees PTY LTD**, Cranbourne, Australia

[**] Term: **14 Years**

[57] CLAIM

[21] Appl. No.: 29/114,148

The ornamental design for a stump grinder, as shown and described.

[22] Filed: **Nov. 19, 1999**

DESCRIPTION

[30] Foreign Application Priority Data

May 27, 1999 [AU] Australia 1641/1999

FIG. 1 is a perspective view of a stump grinder in accordance with the design of this invention;

[51] LOC (7) Cl. **15-09**

FIG. 2 is a plan view of the stump grinder of FIG. 1;

[52] U.S. Cl. **D15/127**

FIG. 3 is a side view A of the stump grinder of FIG. 1;

[58] Field of Search D15/127; 144/356, 144/24.12, 334, 382; 37/302; 173/28

FIG. 4 is a side view B of the stump grinder of FIG. 1;

FIG. 5 is a front view of the stump grinder of FIG. 1; and,

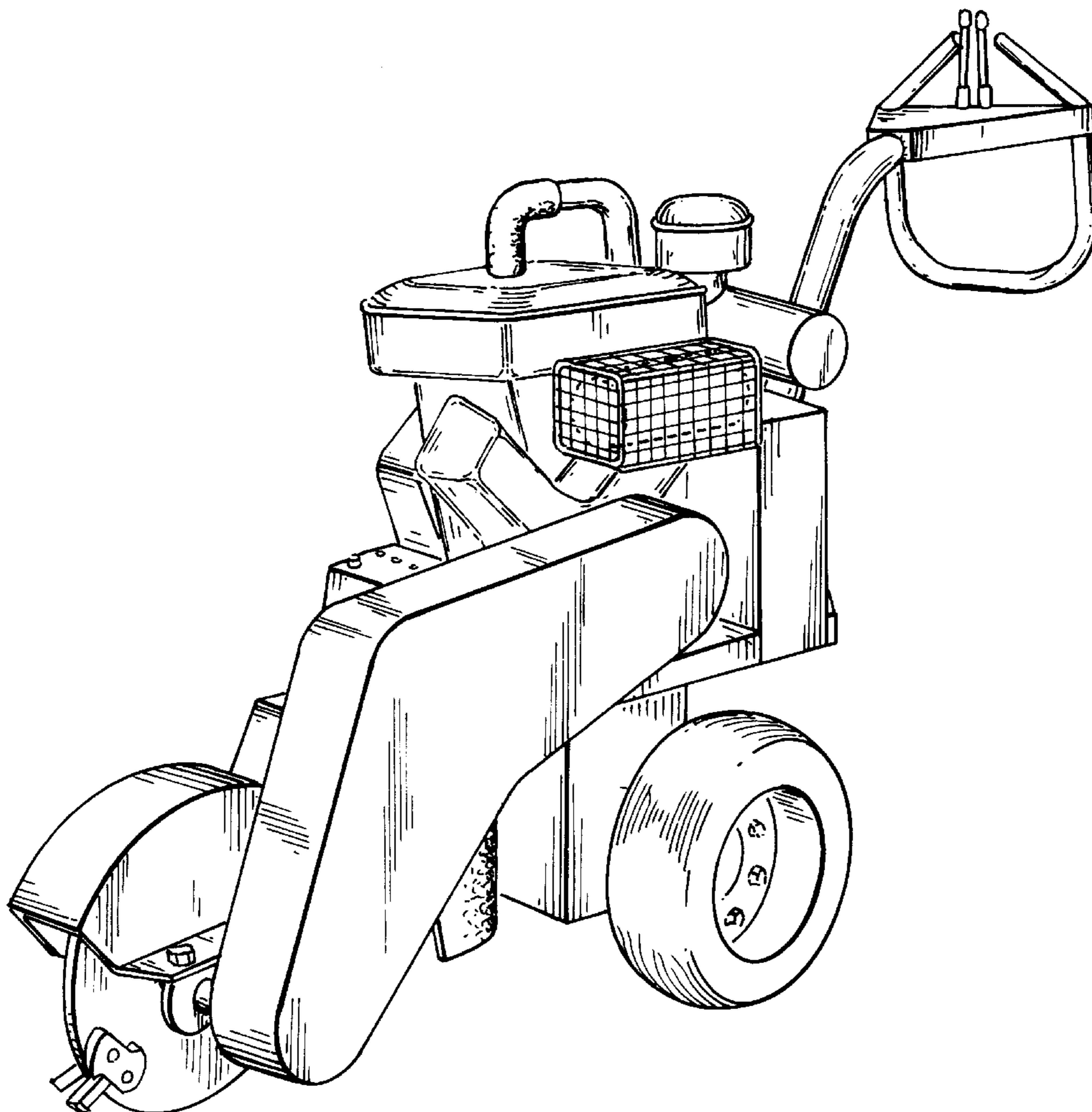
FIG. 6 is a rear view of the stump grinder of FIG. 1.

[56] References Cited

U.S. PATENT DOCUMENTS

D. 404,042 1/1999 Allen D15/127

1 Claim, 5 Drawing Sheets



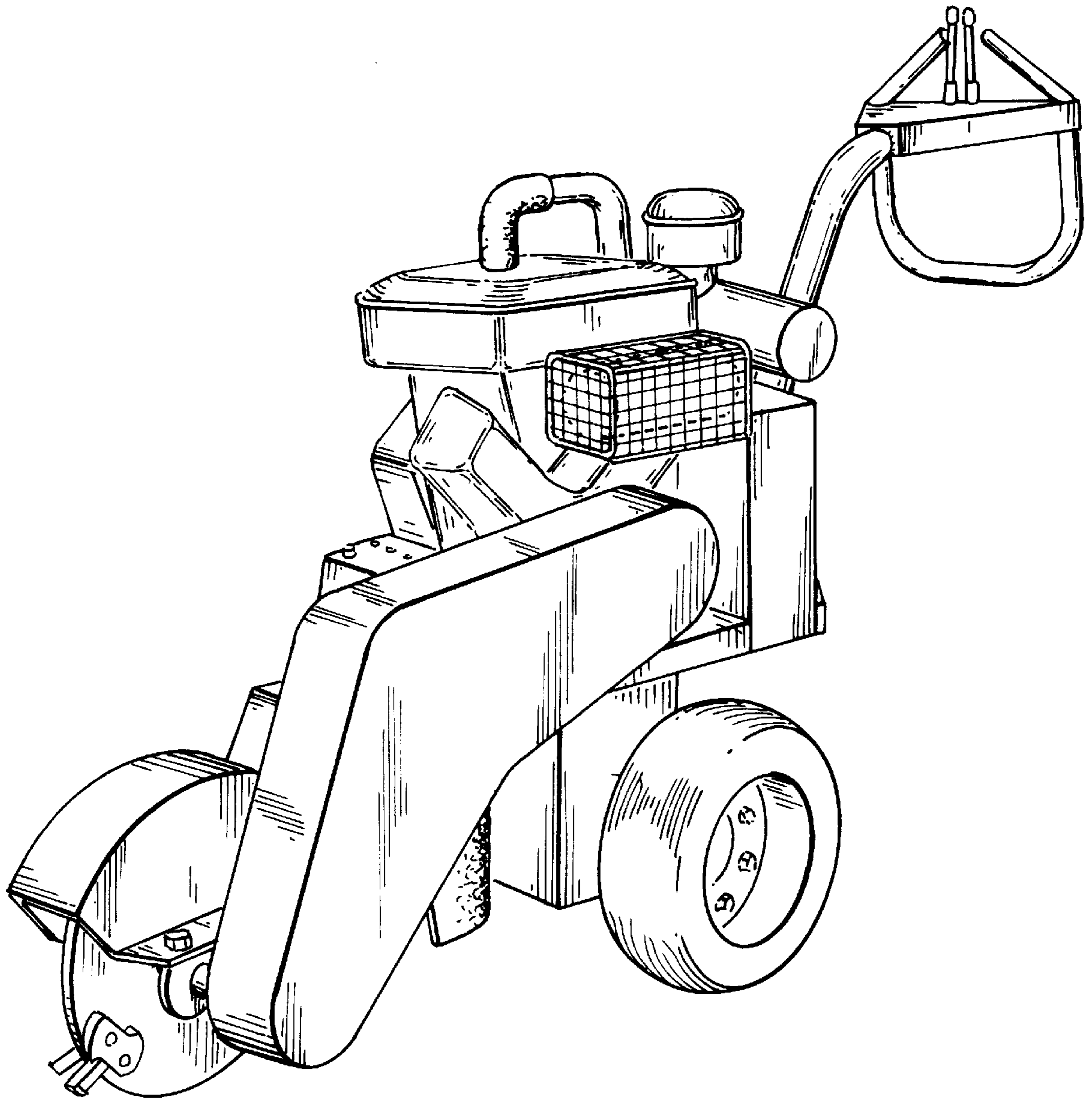
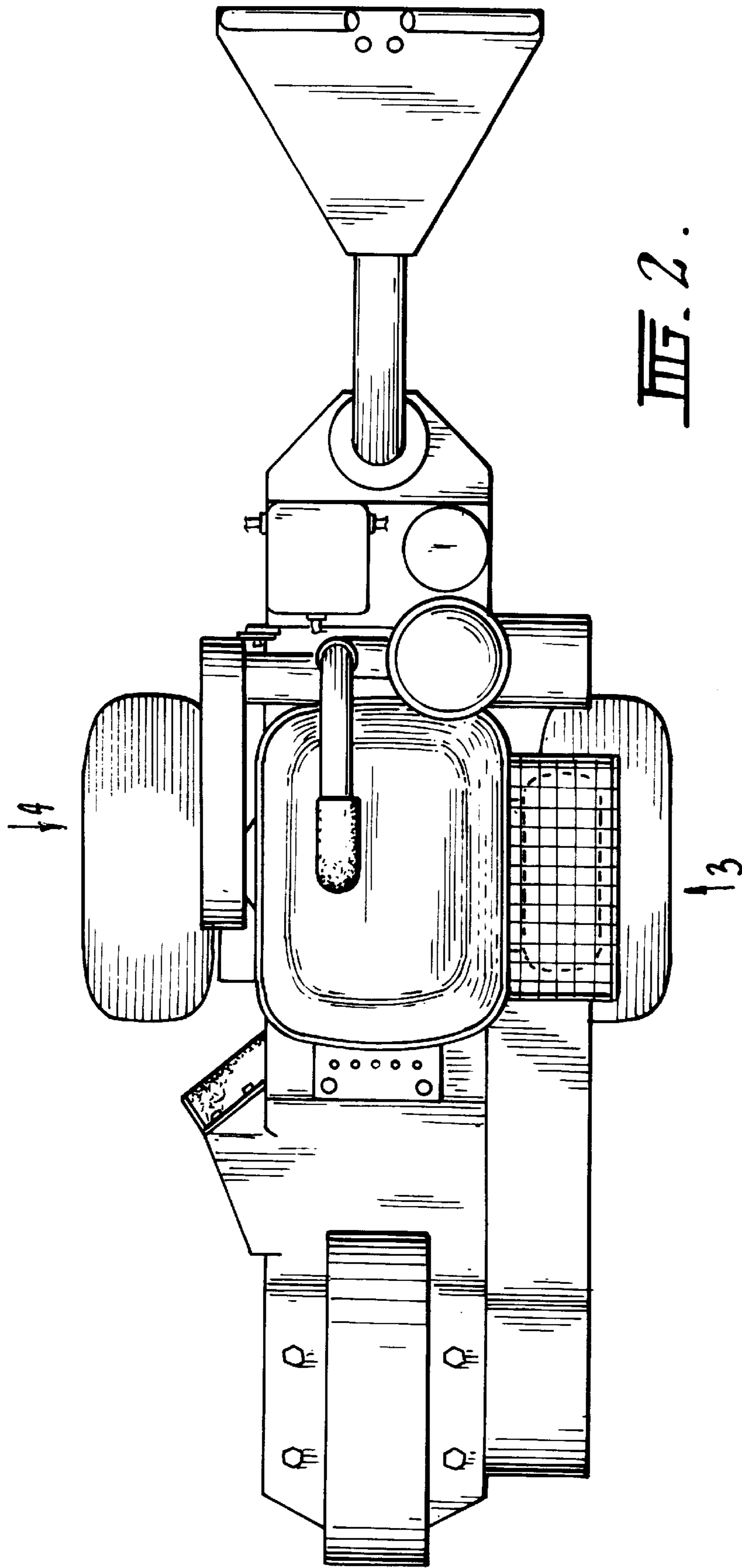
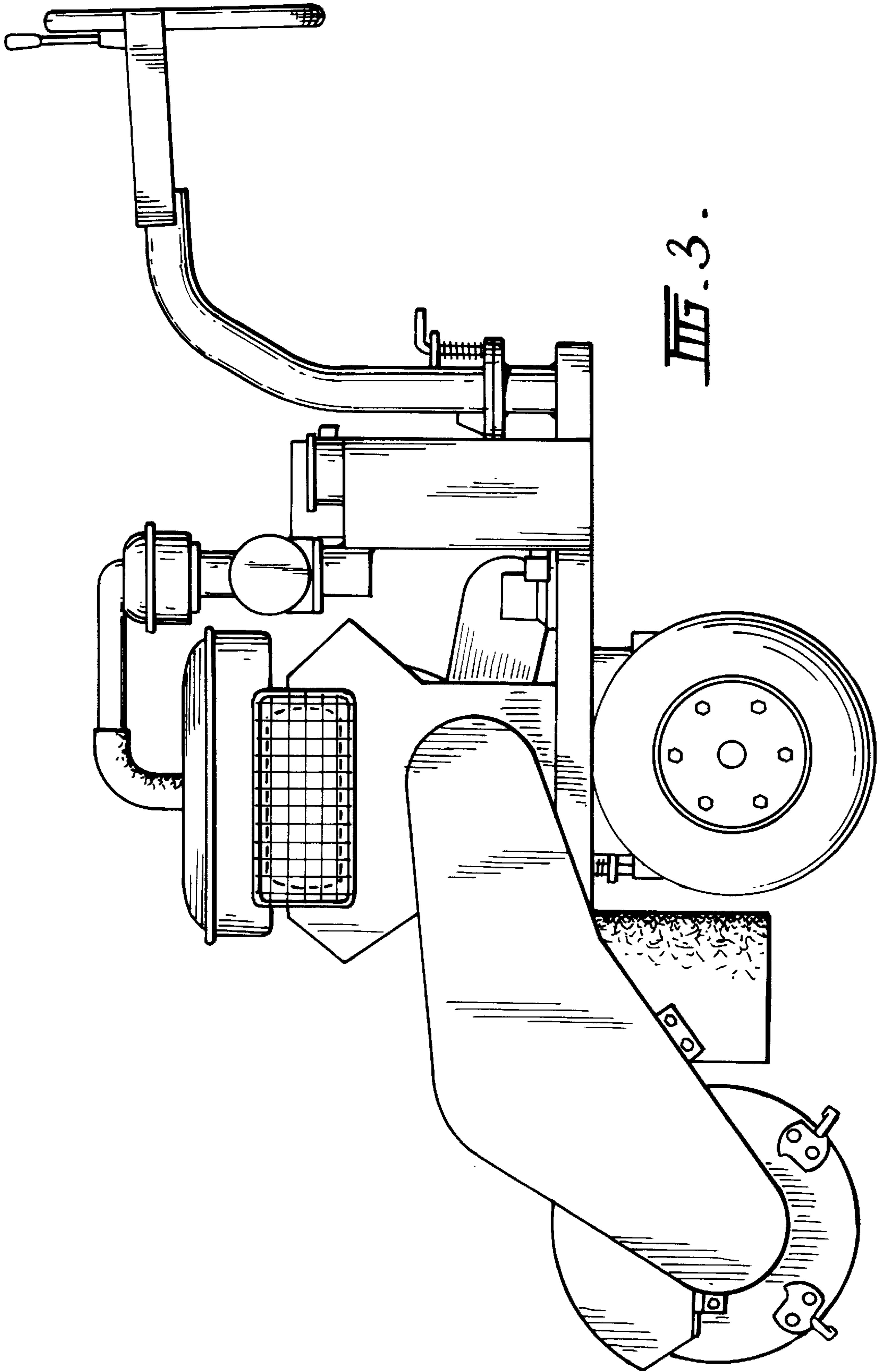


FIG. 1.





III-3.

