



US00D433427S

United States Patent [19]

Donovan et al.

[11] Patent Number: Des. 433,427

[45] Date of Patent: ** Nov. 7, 2000

[54] SANDING MACHINE

[75] Inventors: **Robert D. Donovan**, Mooreville;
Delwyn N. Pounders, Saltillo, both of
Miss.

[73] Assignee: **Delta International Machinery Corp.**,
Pittsburgh, Pa.

[**] Term: **14 Years**

[21] Appl. No.: **29/108,362**

[22] Filed: **Jul. 26, 1999**

[51] LOC (7) Cl. **15-09**

[52] U.S. Cl. **D15/124**

[58] Field of Search D15/124; 451/340,
451/496, 360, 363, 541, 499, 241, 178,
300, 296, 24, 26, 295, 358, 5, 8

[56] References Cited

U.S. PATENT DOCUMENTS

D. 285,695	9/1986	Miller, Jr.	D15/124
D. 299,033	12/1988	Steele .	
D. 394,070	5/1998	Garcia et al.	D15/124
3,847,271	11/1974	Culley, Jr. .	
4,720,940	1/1988	Green .	
5,181,347	1/1993	Green .	
5,531,636	7/1996	Bissen .	
5,720,648	2/1998	Green et al. .	
5,842,913	12/1998	Nemazi .	

OTHER PUBLICATIONS

Ryobi® Owner's Operating Manual 16"-32" Wide Drum Sander/WDS 1600.

Performax® 16-32/16-32 Plus Owner's Manual.

Literature describing Performax™ Drum Sanders, distributed 1996.

Primary Examiner—Antoine Duval Davis

Attorney, Agent, or Firm—Kirkpatrick & Lockhart LLP

[57] CLAIM

The ornamental design for a sanding machine, as shown and described.

DESCRIPTION

FIG. 1 is a front perspective view of the sanding machine of the present invention;

FIG. 2 is a rear perspective view of the sanding machine of FIG. 1;

FIG. 3 is a front elevational view of the sanding machine of FIG. 1;

FIG. 4 is a rear elevational view of the sanding machine of FIG. 1;

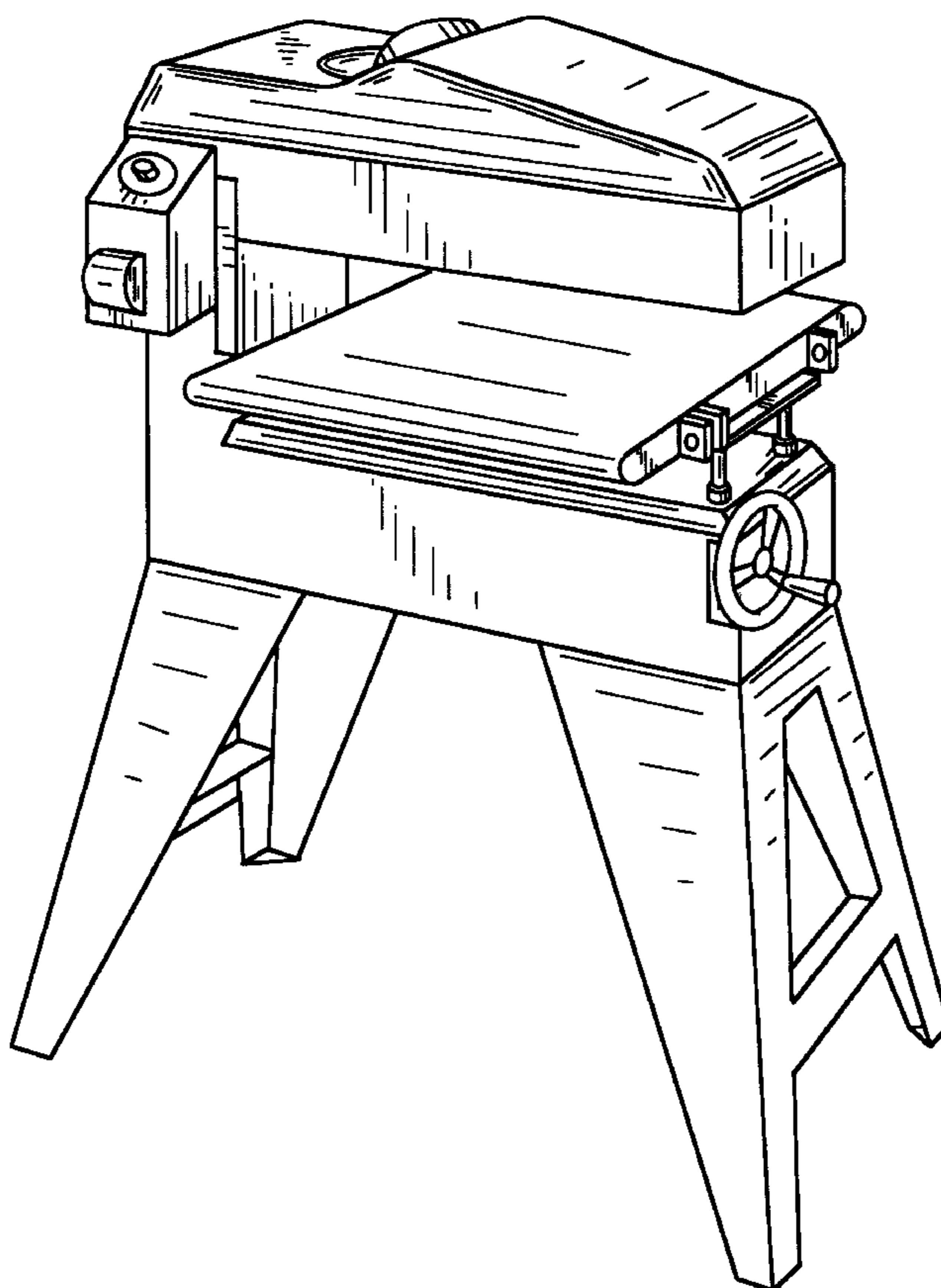
FIG. 5 is a right side elevational view of the sanding machine of FIG. 1;

FIG. 6 is a left side elevational view of the sanding machine of FIG. 1;

FIG. 7 is a top view of the sanding machine of FIG. 1; and,

FIG. 8 is a bottom view of the sanding machine of FIG. 1.

1 Claim, 7 Drawing Sheets



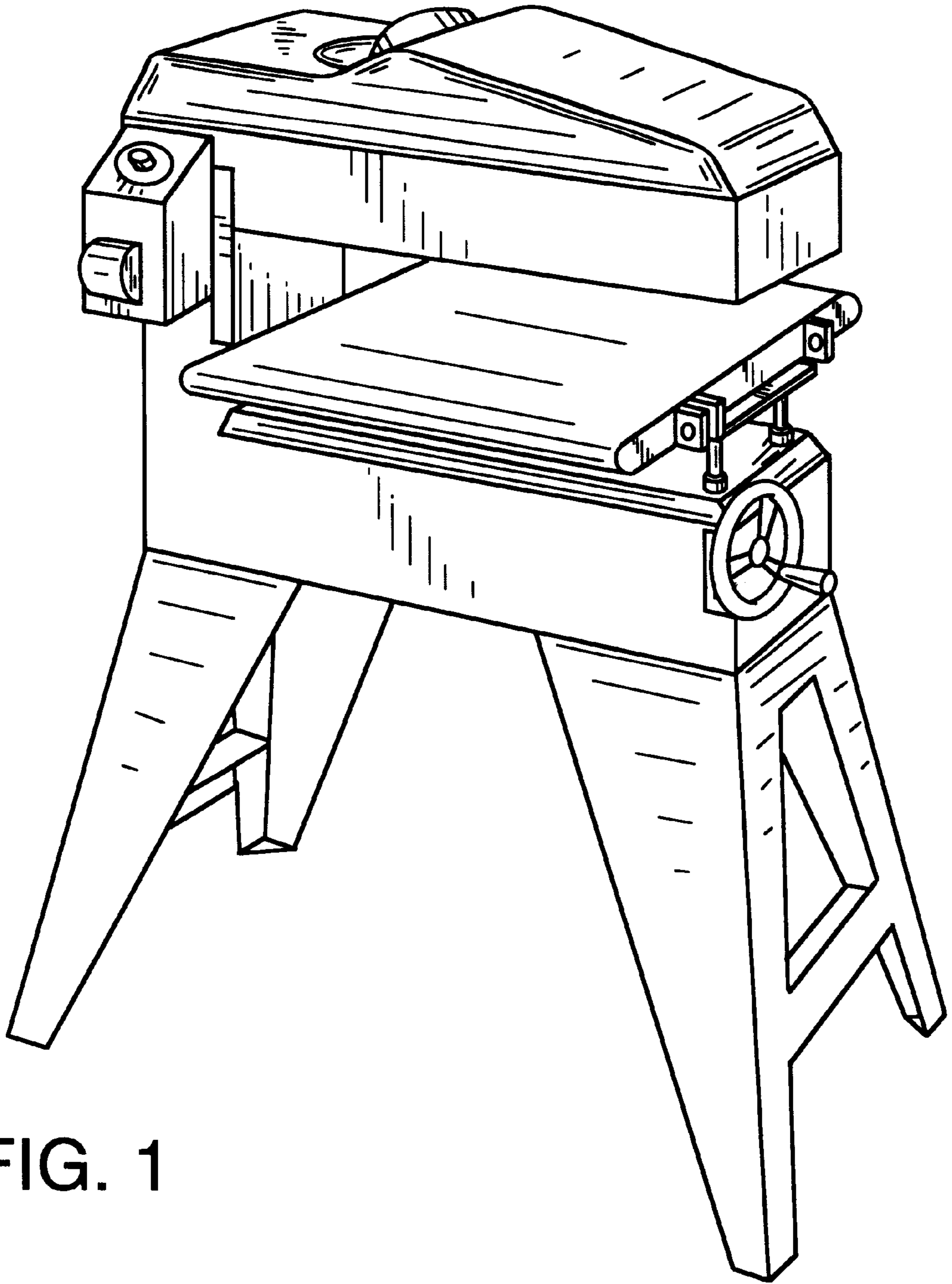


FIG. 1

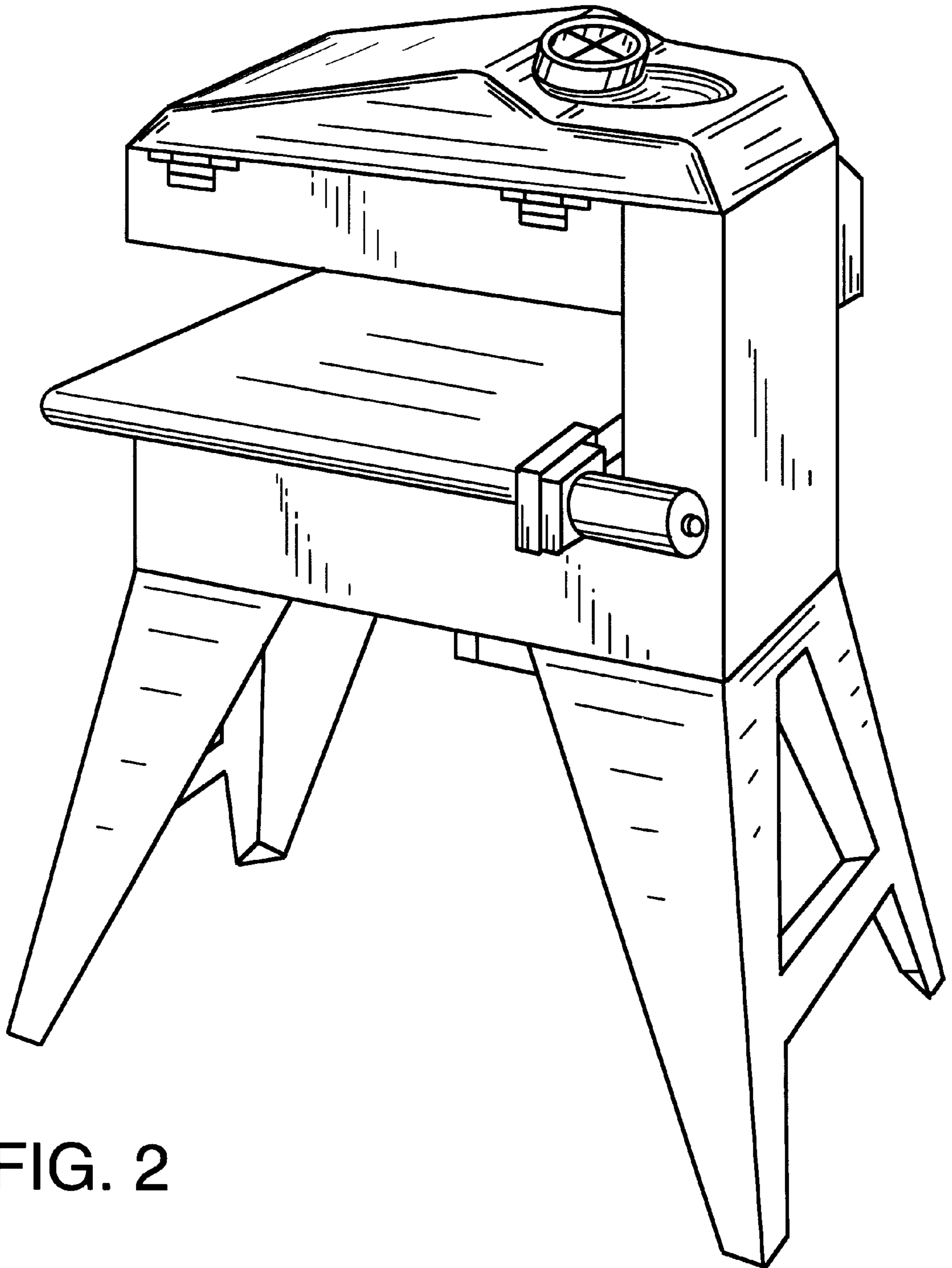


FIG. 2

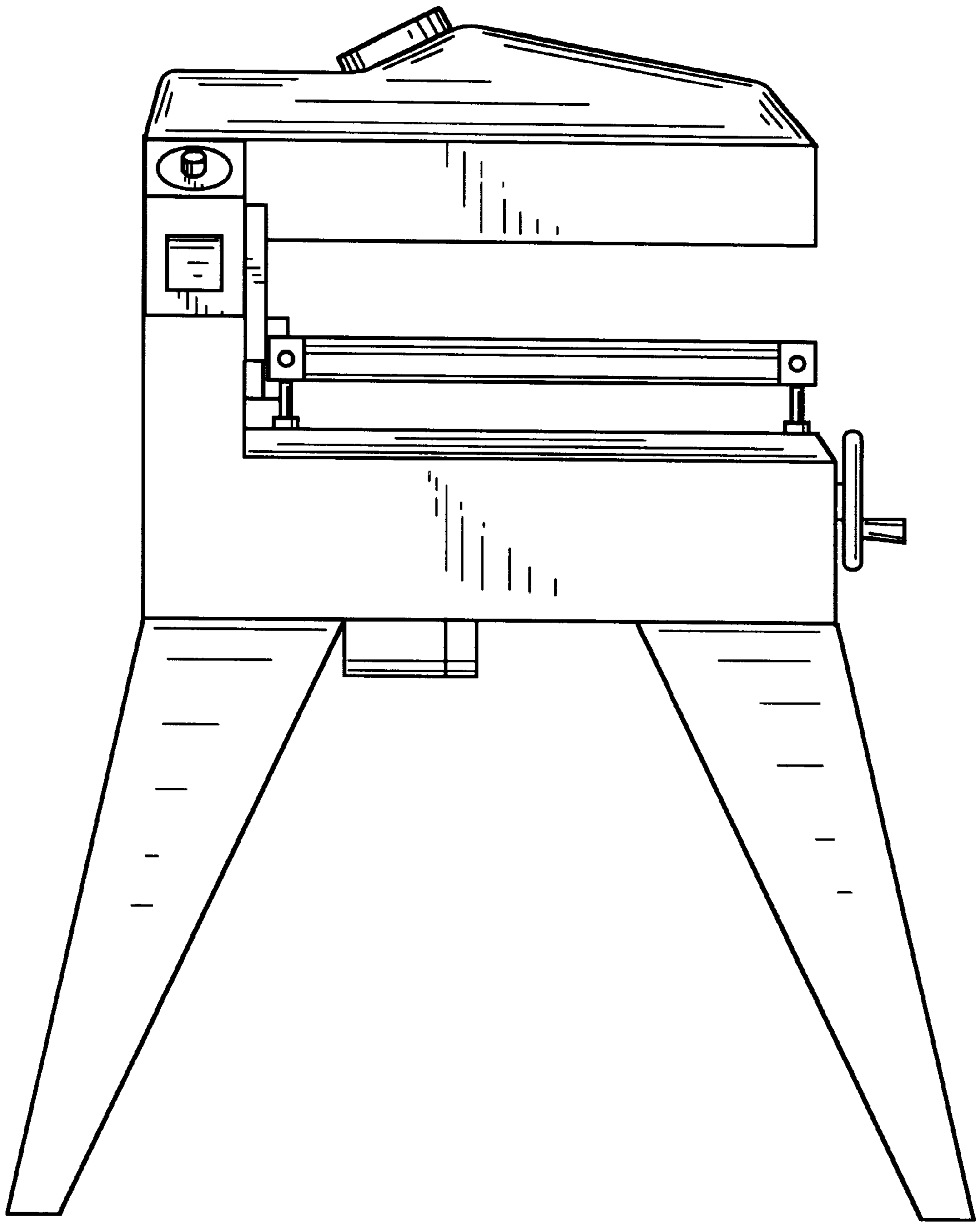


FIG. 3

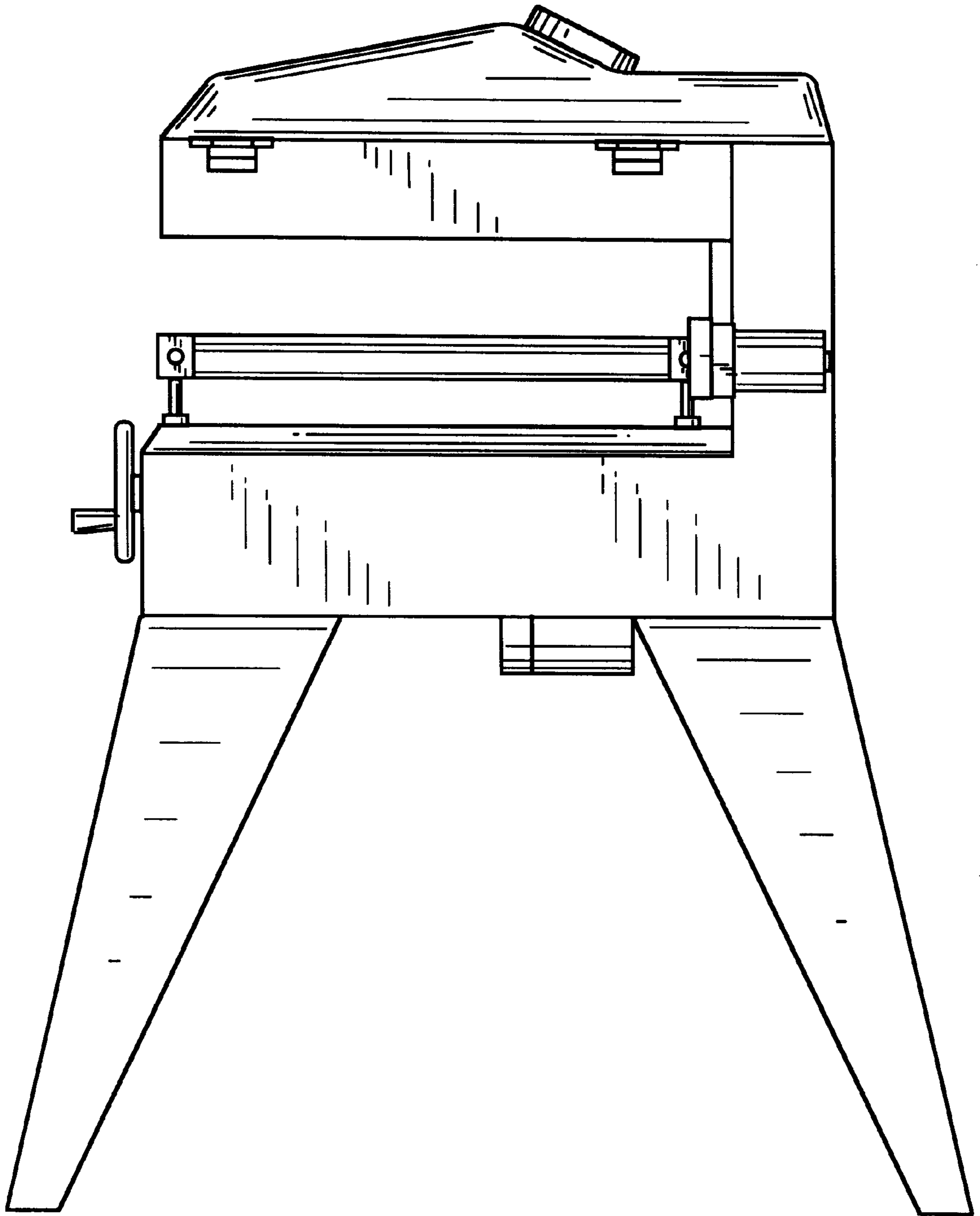


FIG. 4

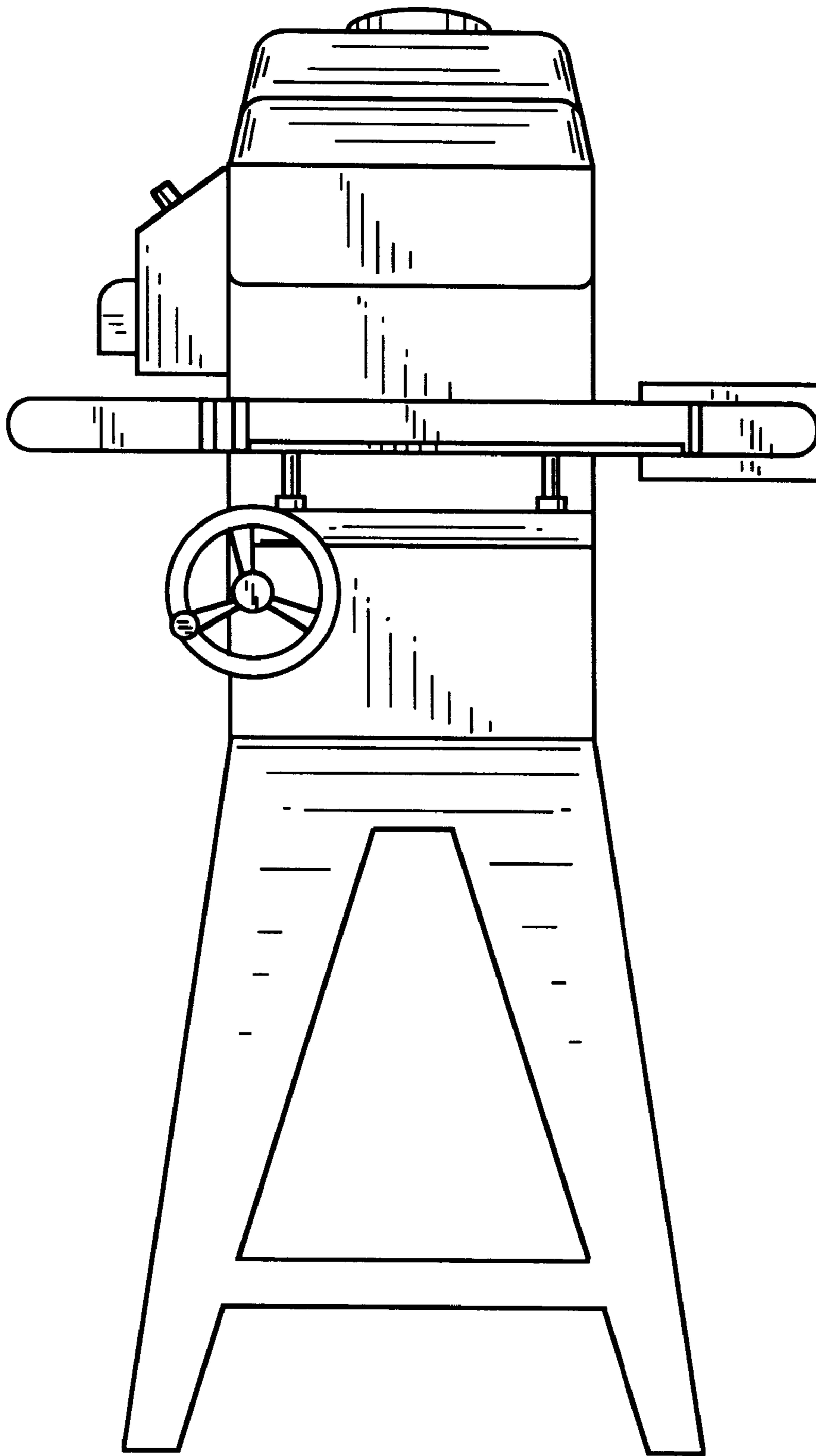


FIG. 5

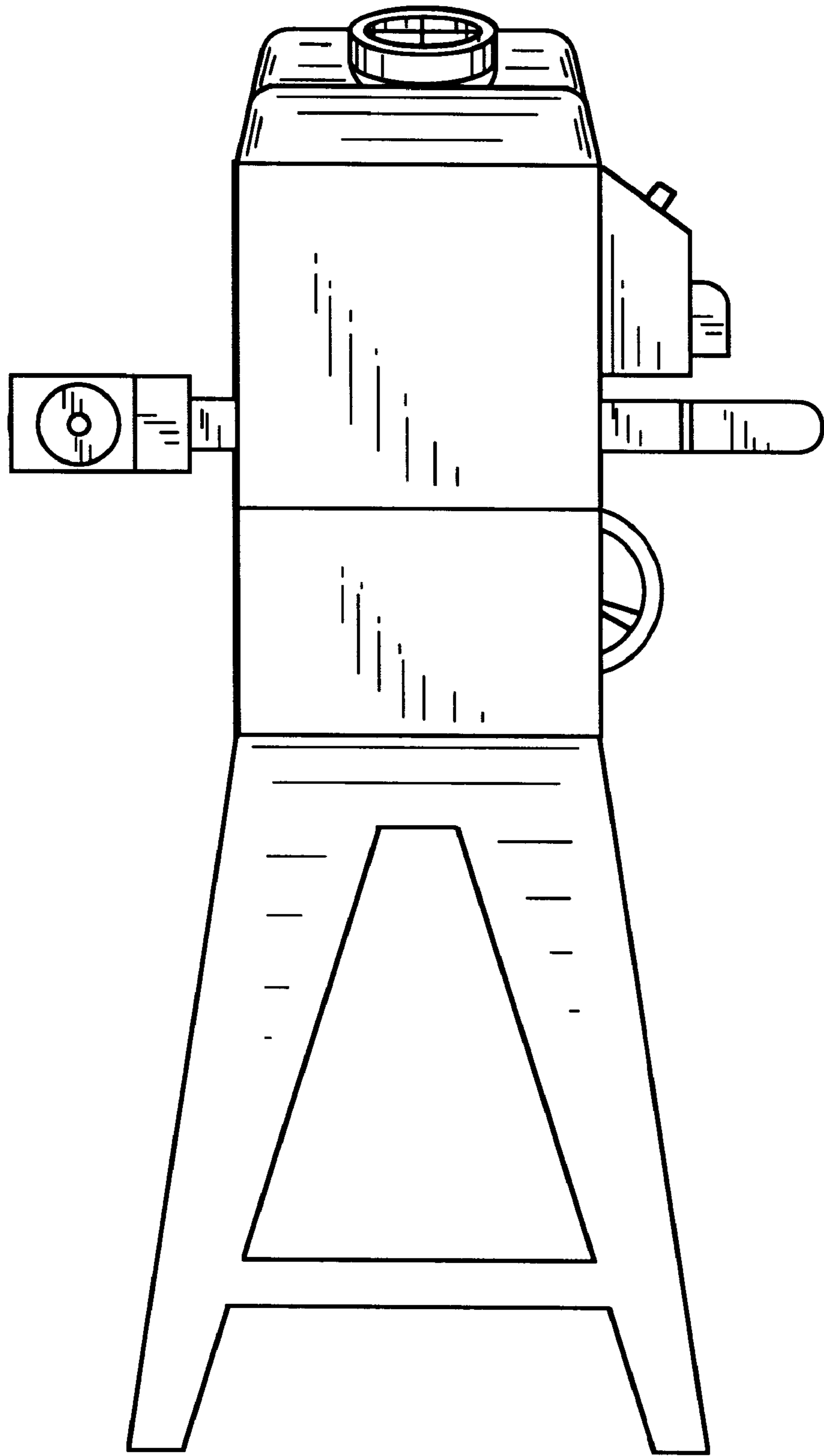


FIG. 6

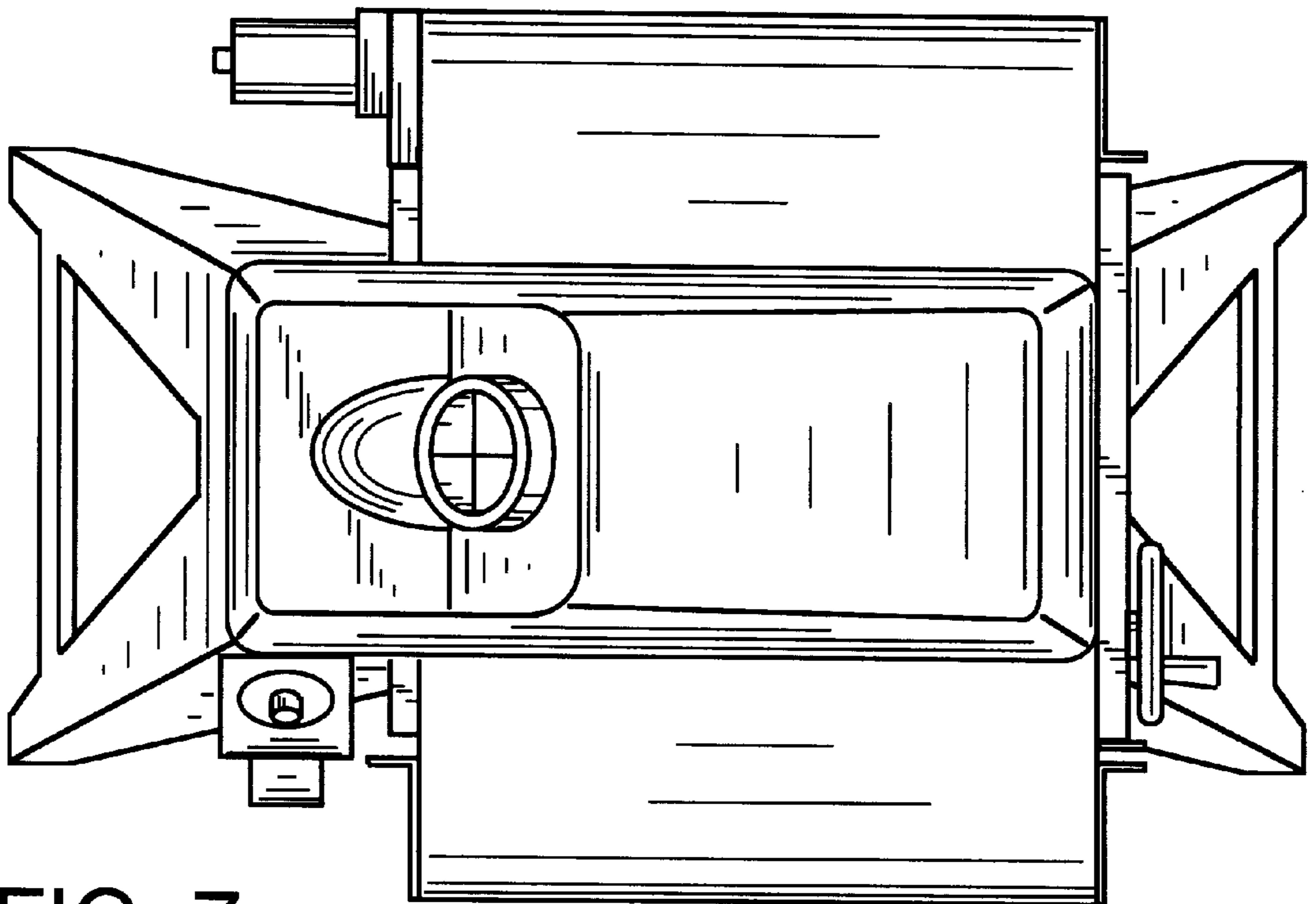


FIG. 7

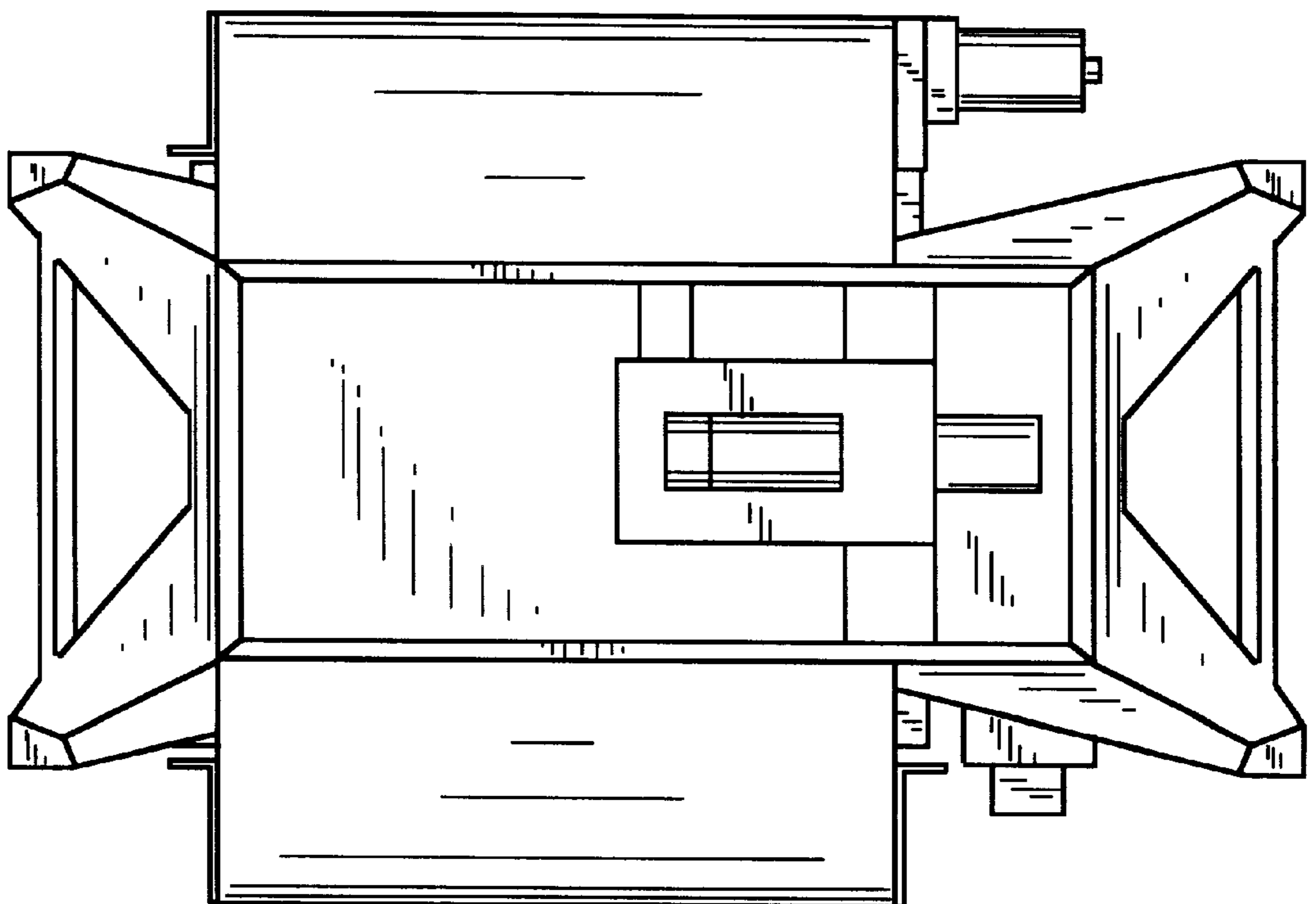


FIG. 8