



US00D433426S

# United States Patent [19]

[11] Patent Number: Des. 433,426

Boser

[45] Date of Patent: \*\* Nov. 7, 2000

[54] TAPE FOLDER

4,660,486	4/1987	Arbter .....	112/143
4,722,289	2/1988	Ohsawa .....	112/137
6,029,592	2/2000	Tsuta .....	112/137

[76] Inventor: **Ronald J. Boser**, 3951 Industrial 25<sup>th</sup> St., Ft. Pierce, Fla. 34946

*Primary Examiner*—Sandra L. Morris  
*Attorney, Agent, or Firm*—Myron Amer PC

[\*\*] Term: **14 Years**

[21] Appl. No.: **29/112,400**

### [57] CLAIM

[22] Filed: **Oct. 18, 1999**

The ornamental design for a tape folder, as shown and described.

[51] LOC (7) Cl. .... **15-06**

### DESCRIPTION

[52] U.S. Cl. .... **D15/72**

[58] Field of Search ..... D15/66, 69–72,  
D15/78; 112/137, 138, 143, 147, 152, 287,  
304

FIG. 1 is a top plan view of a tape folder showing my new design;

FIG. 2 is a front elevational view thereof;

FIG. 3 is a right side elevational view thereof;

FIG. 4 is a left side elevational view thereof;

FIG. 5 is a rear elevational view thereof; and,

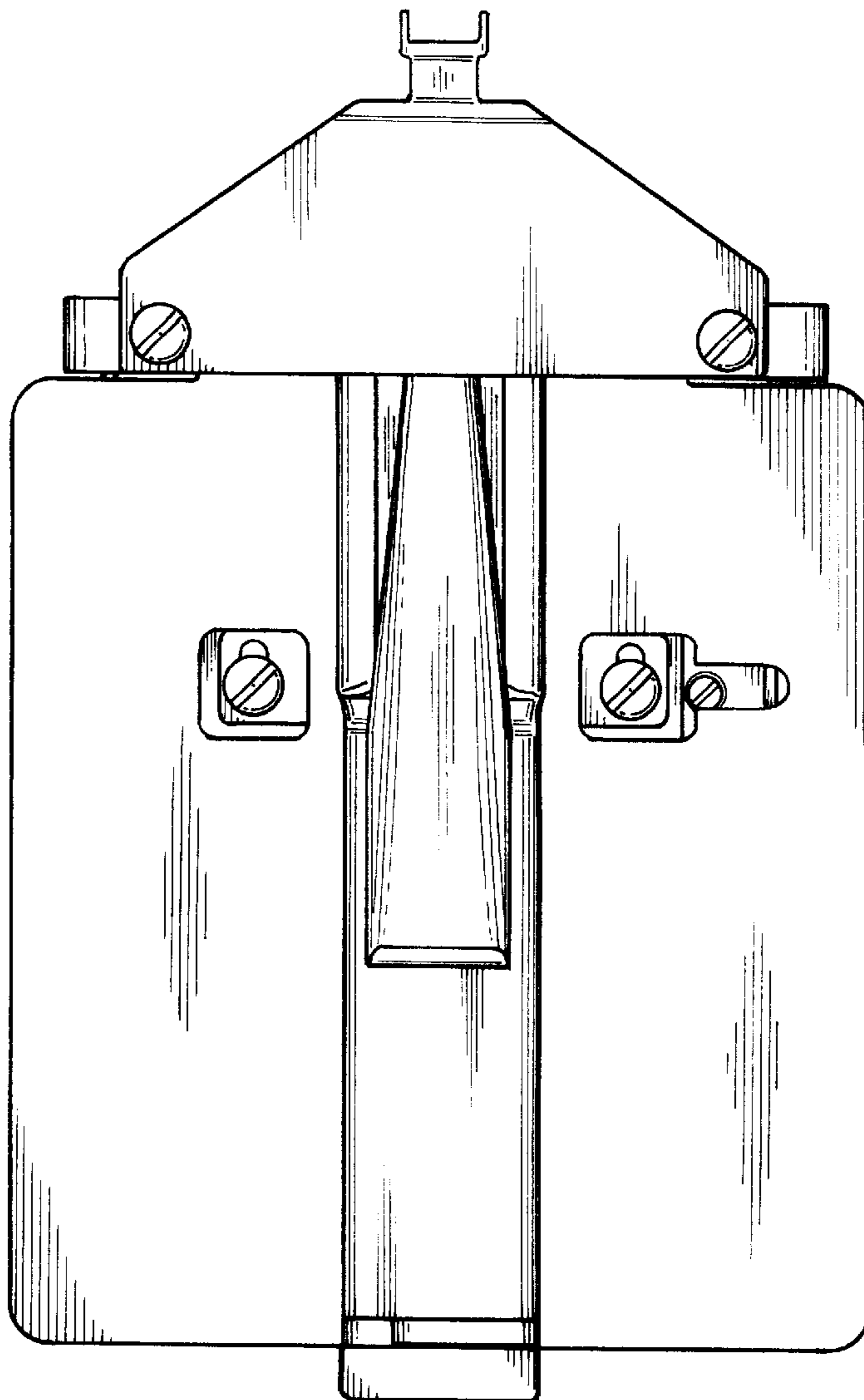
FIG. 6 is a bottom view thereof.

### [56] References Cited

#### U.S. PATENT DOCUMENTS

2,607,308	8/1952	Bufardecì .....	112/147
3,590,758	7/1971	Hughes et al. ....	112/287
4,184,439	1/1980	Schulz .....	112/147

**1 Claim, 2 Drawing Sheets**



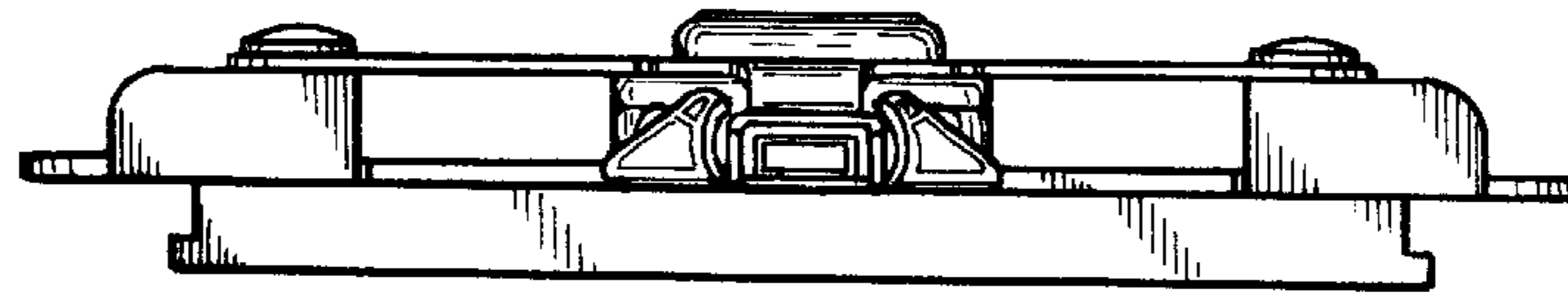


FIG.5

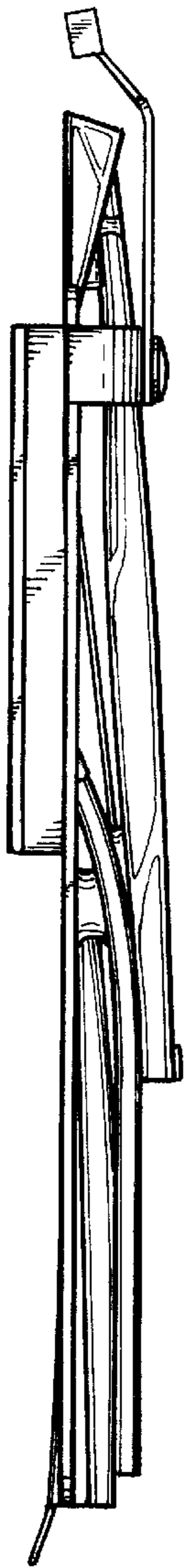


FIG.4

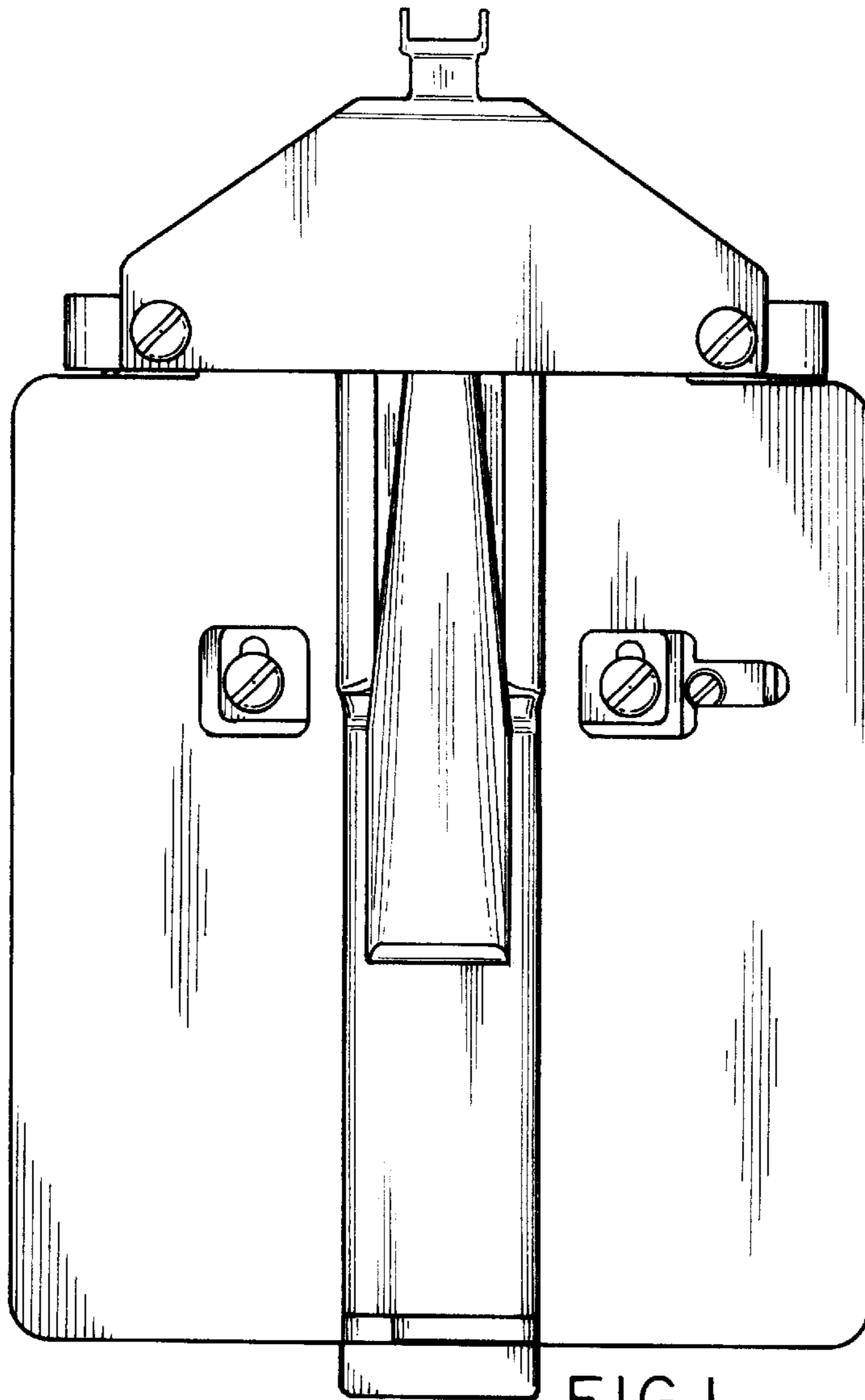


FIG.1

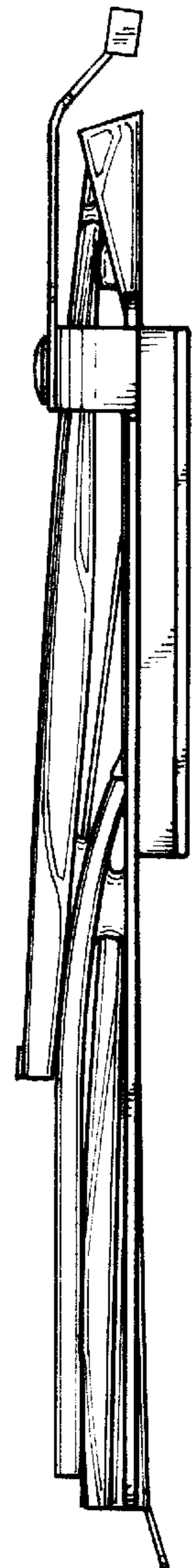


FIG.3

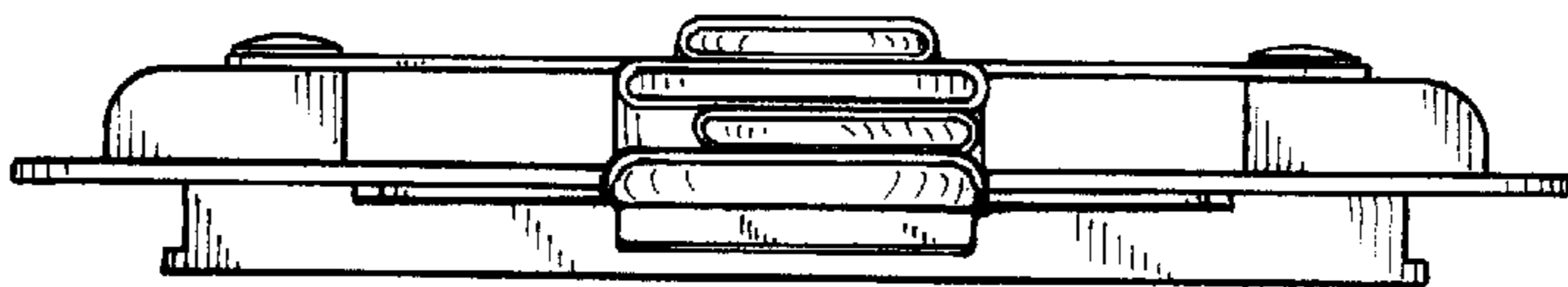


FIG.2

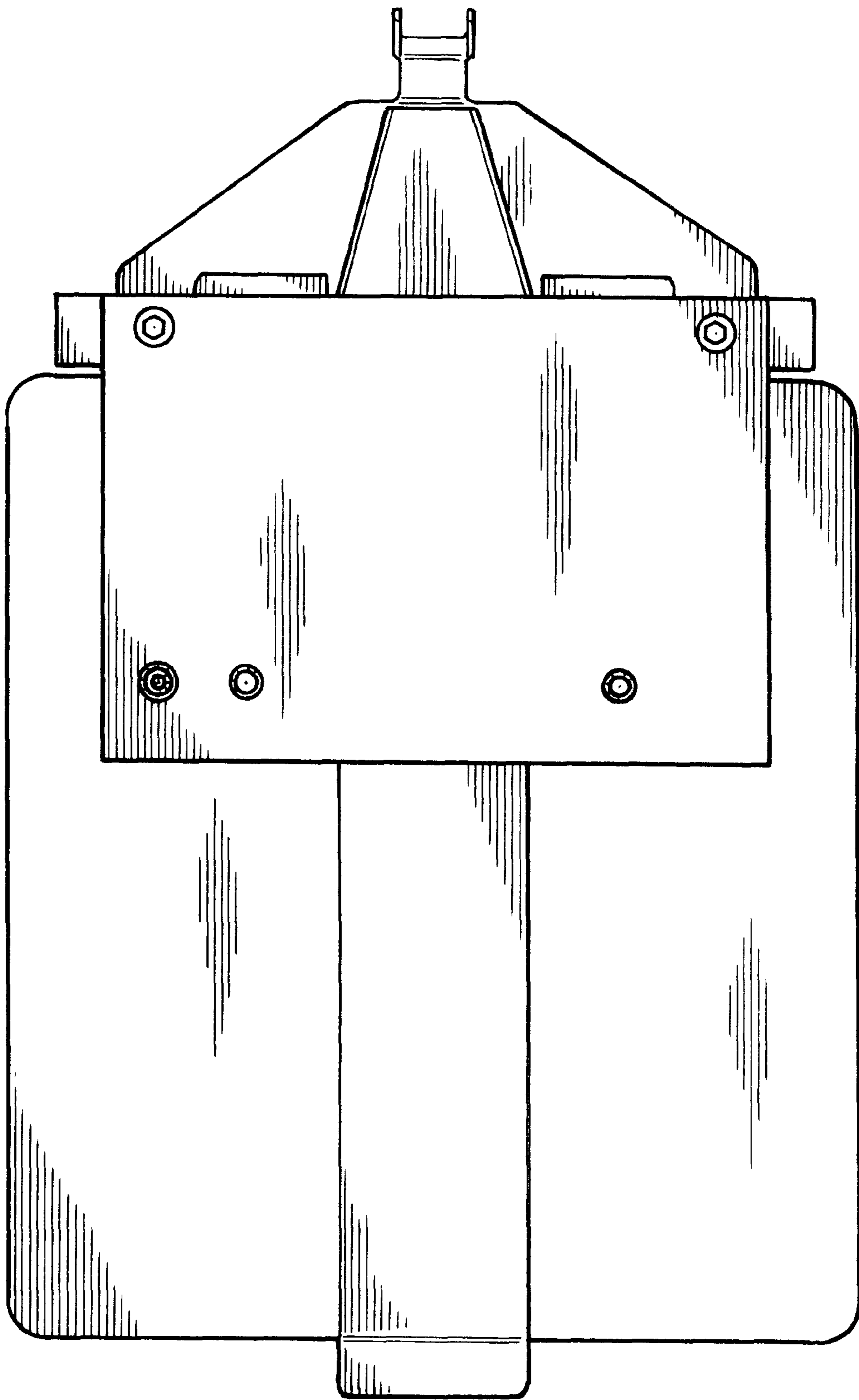


FIG.6