



US00D433419S

United States Patent [19]
Jobin

[11] **Patent Number: Des. 433,419**

[45] **Date of Patent: ** Nov. 7, 2000**

[54] **HAND PORTABLE SUPPORT FOR A DIGITAL KEYBOARD**

[76] Inventor: **André Jobin**, 304 Lemire, Repentigny, (Québec), Canada, J6A 5J7

[**] Term: **14 Years**

[21] Appl. No.: **29/114,286**

[22] Filed: **Nov. 22, 1999**

[51] **LOC (7) Cl.** **14-02**

[52] **U.S. Cl.** **D14/457**

[58] **Field of Search** D14/432, 439, D14/451-2, 455-6, 457; 248/118, 118.1, 118.3, 118.5, 280.11, 281.11, 284.1, 286.1, 309.1, 346.01, 917-24; D13/184, 199; 361/679-85

[56] **References Cited**

U.S. PATENT DOCUMENTS

- D. 331,400 12/1992 Kelly et al. .
- D. 402,971 12/1998 Kirchhoff et al. .

- D. 410,453 6/1999 Timm .
- D. 412,894 8/1999 Little et al. .
- 5,992,810 11/1999 Crinion et al. .
- 6,045,098 4/2000 Timm .

Primary Examiner—M. H. Tung

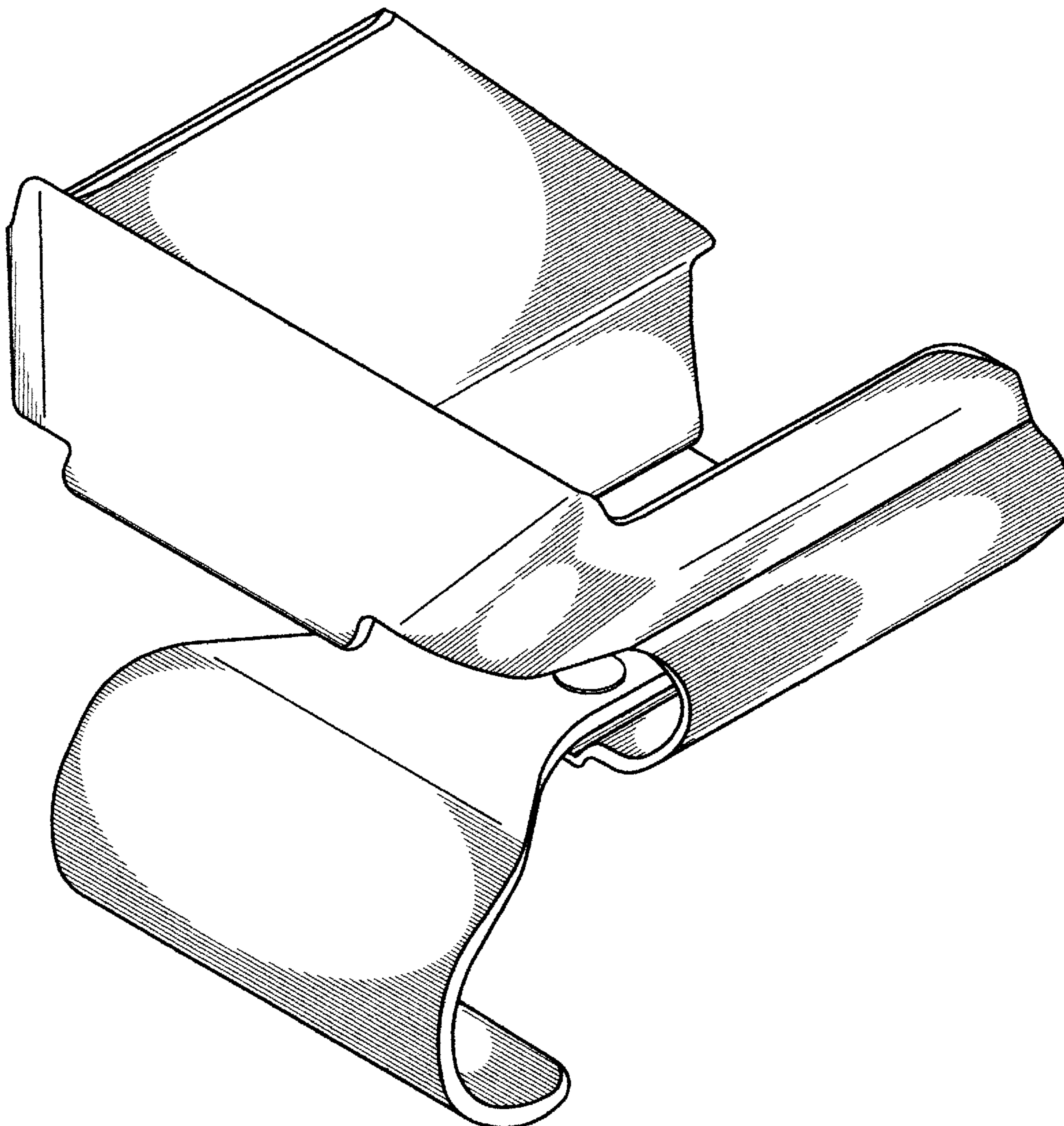
[57] **CLAIM**

An ornamental design for a hand portable support for a digital keyboard, as shown and described.

DESCRIPTION

FIG. 1 is a perspective view of the concealment member ;
 FIG. 2 is a top plan view of the concealment member;
 FIG. 3 is a rear elevation of the concealment member;
 FIG. 4 is a side elevational view of the support, the opposite side is a mirror image;
 FIG. 5 is a bottom plan view of the concealment member;
 and,
 FIG. 6 is a front elevation of the concealment member.

1 Claim, 6 Drawing Sheets



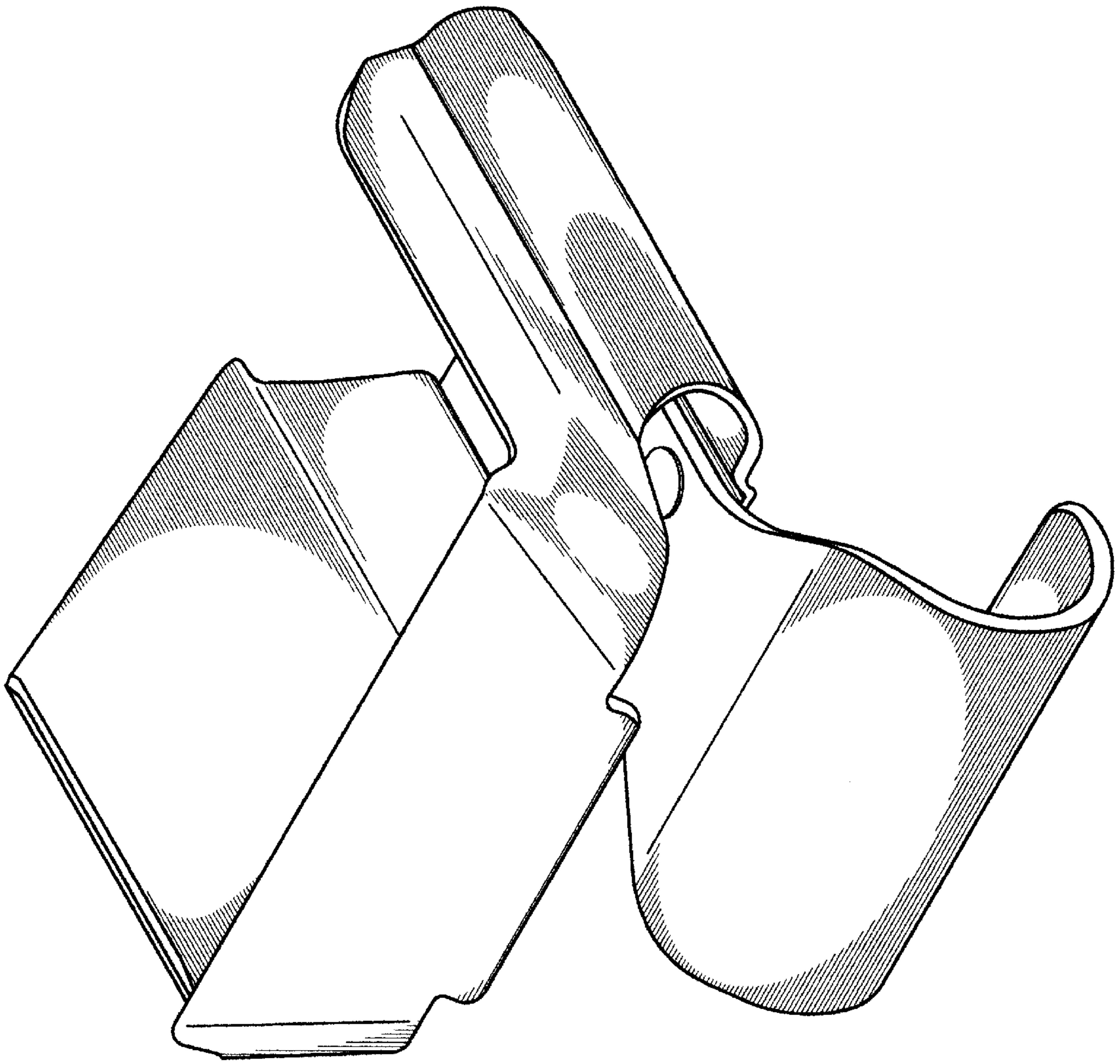


FIG.1

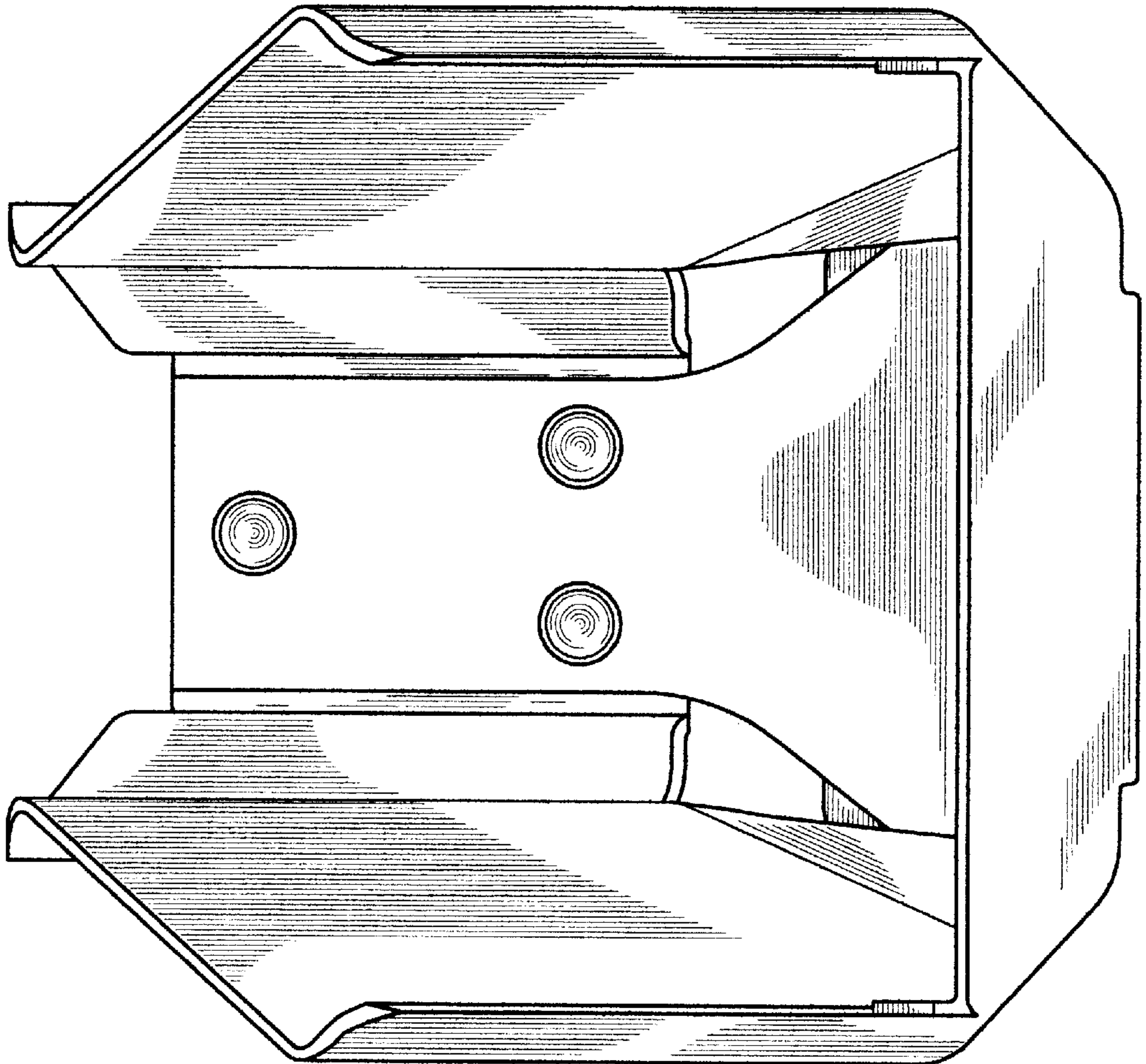


FIG.2

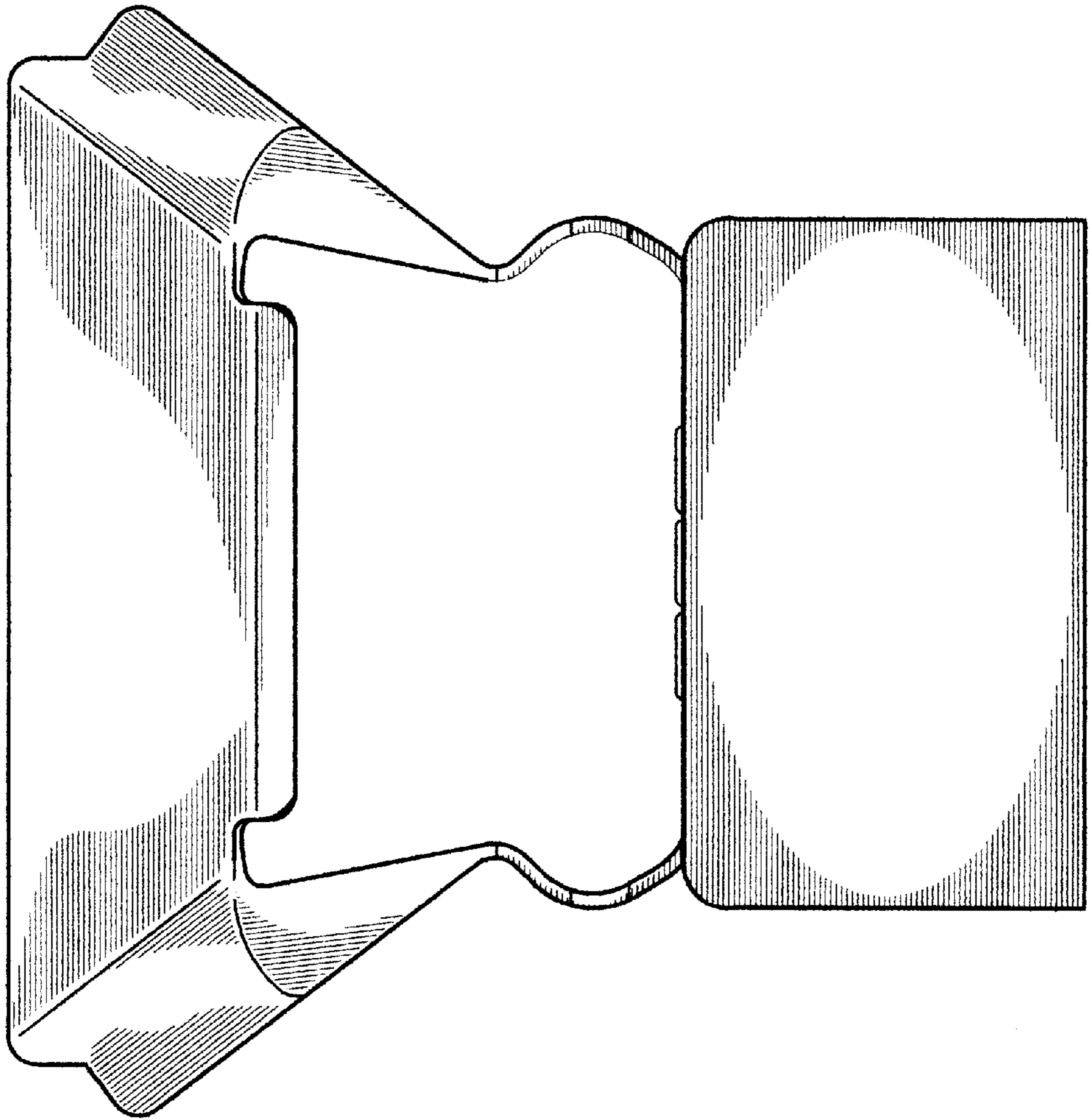


FIG.3

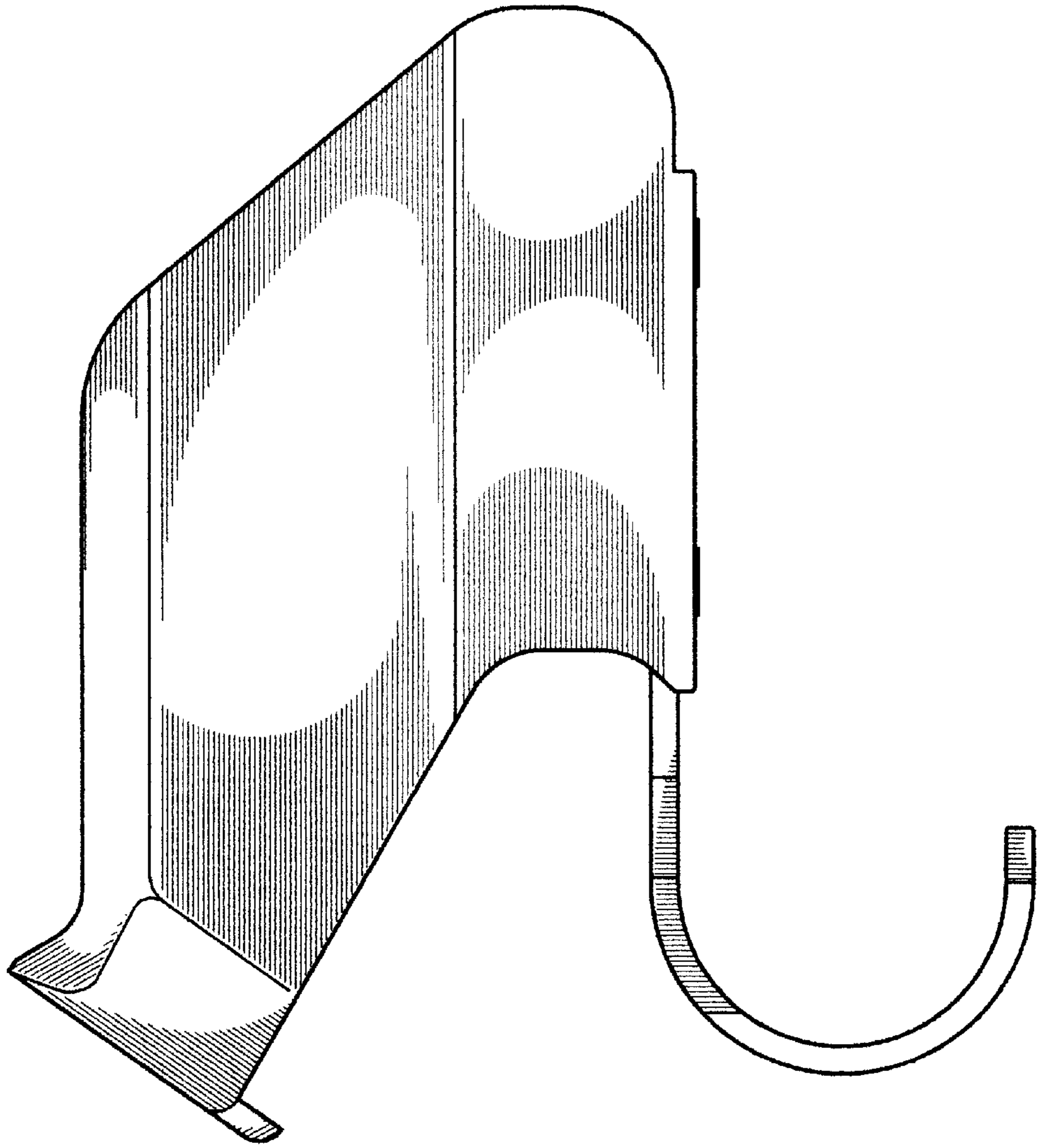


FIG.4

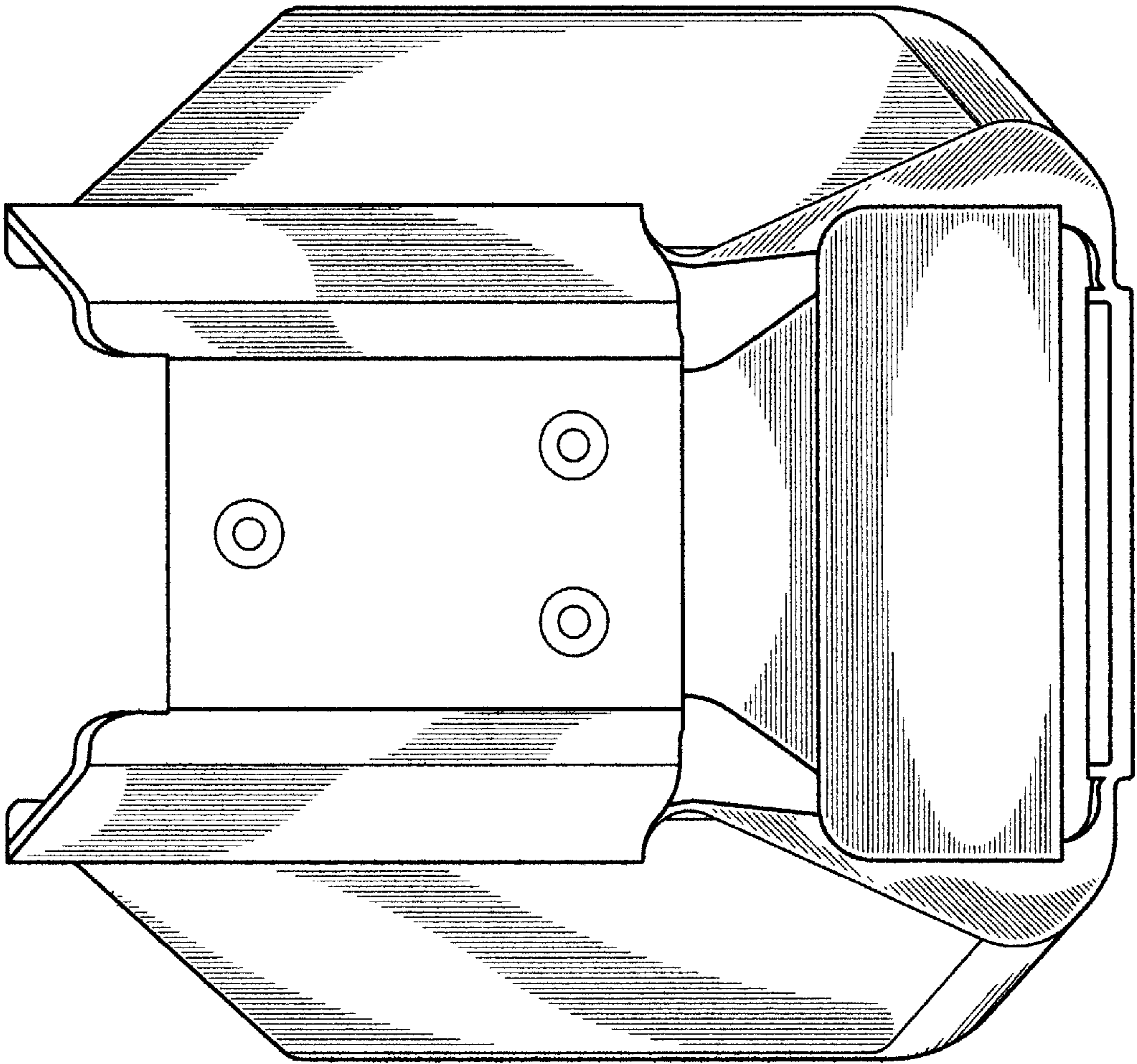


FIG.5

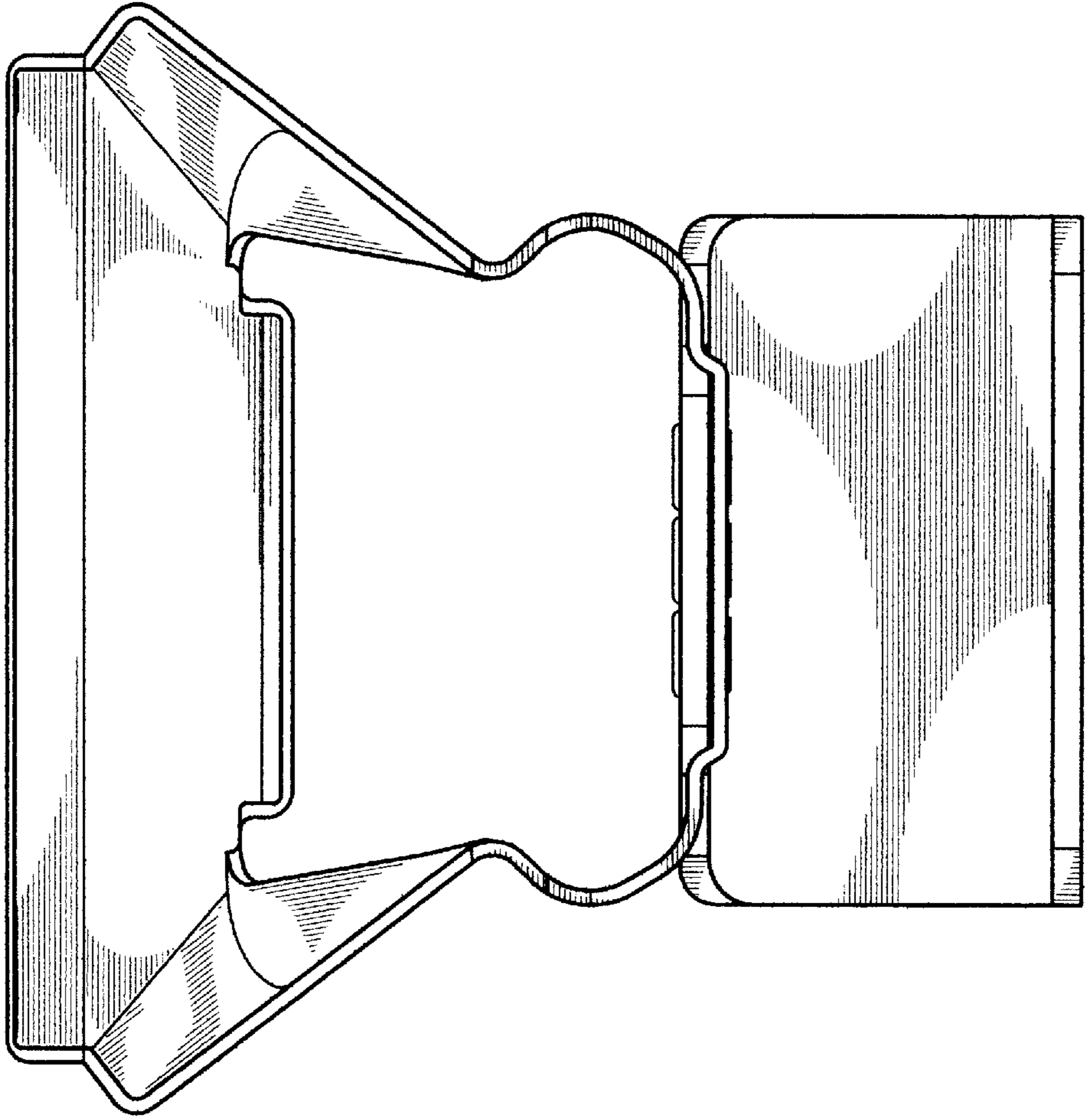


FIG.6