



US00D433416S

United States Patent [19]

Strand et al.

[11] Patent Number: Des. 433,416

[45] Date of Patent: ** Nov. 7, 2000

[54] **DEVICE FOR RECORDING AND SHOWING INFORMATION**

[75] Inventors: **Oscar Strand**, Malmö; **Olof Wranne**, Göteborg, both of Sweden

[73] Assignee: **C Technologies AB**, Lund, Sweden

[**] Term: **14 Years**

[21] Appl. No.: **29/110,455**

[22] Filed: **Sep. 7, 1999**

[30] **Foreign Application Priority Data**

Mar. 15, 1999 [SE] Sweden 99-0488

[51] **LOC (7) Cl.** **14-02**

[52] **U.S. Cl.** **D14/426**

[58] **Field of Search** D14/420-431;
D19/41-51; 235/375, 378, 385, 454, 462.15,
472.02, 486; 250/203.1, 216, 566; 382/312-15,
318-19, 321

[56] **References Cited**

U.S. PATENT DOCUMENTS

D. 318,291 7/1991 Ohnumata .

- D. 343,829 2/1994 Okuda et al. .
- D. 352,939 11/1994 Karlin .
- D. 359,040 6/1995 Nakamura et al. .
- D. 414,760 10/1999 Hatfield et al. .
- D. 419,548 1/2000 Jones et al. .

Primary Examiner—M. H. Tung
Attorney, Agent, or Firm—Cooper & Dunham LLP

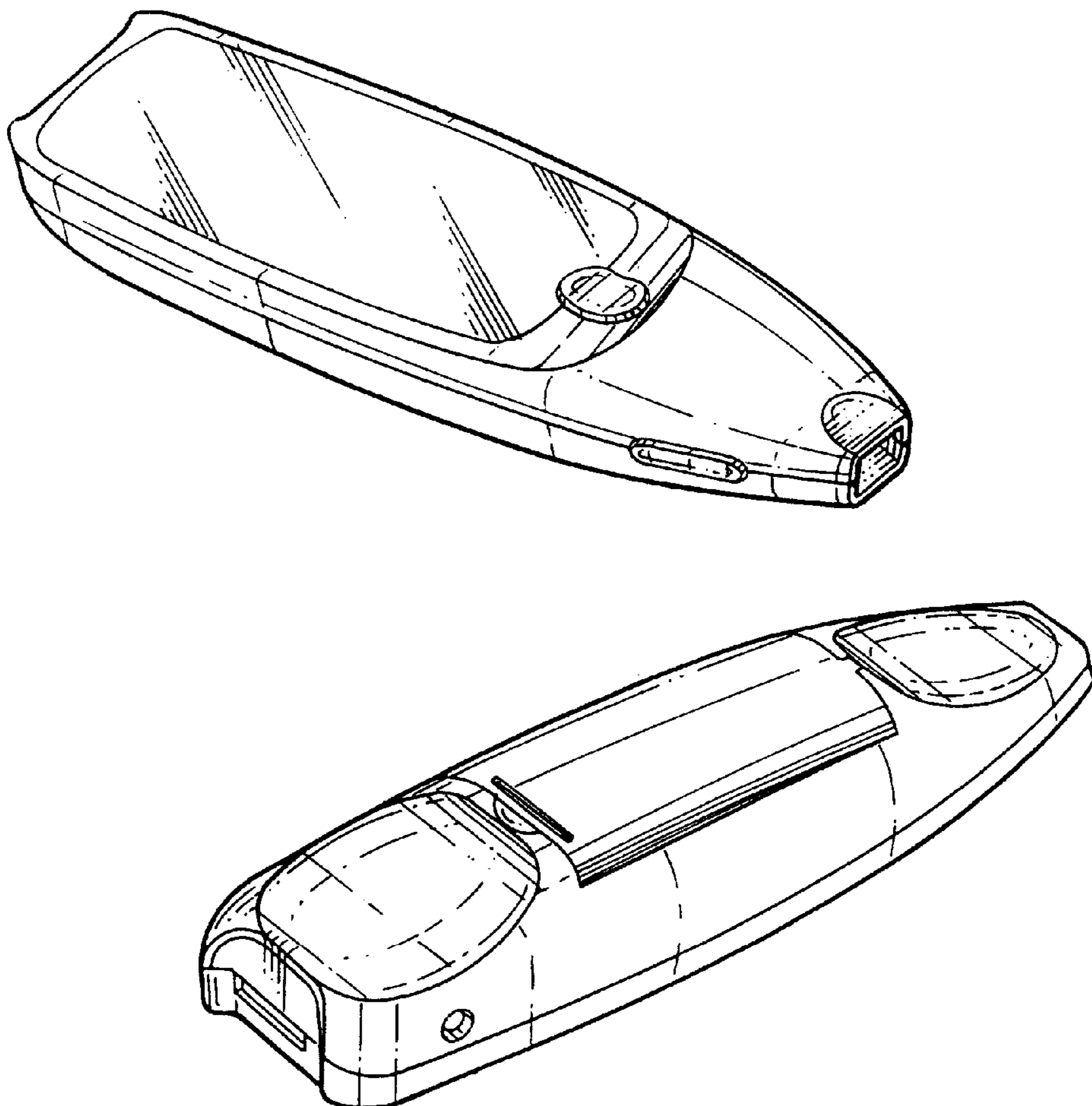
[57] **CLAIM**

I claim the device for recording and showing information, as shown and described.

DESCRIPTION

FIG. 1 is a left side elevational view of a device for recording and showing information of my new design;
 FIG. 2 is a top view thereof;
 FIG. 3 is a rear elevational view thereof;
 FIG. 4 is a right side elevational view thereof;
 FIG. 5 is a bottom view thereof;
 FIG. 6 is a front elevational view thereof;
 FIG. 7 is a perspective top view thereof; and,
 FIG. 8 is a perspective bottom view thereof.

1 Claim, 1 Drawing Sheet



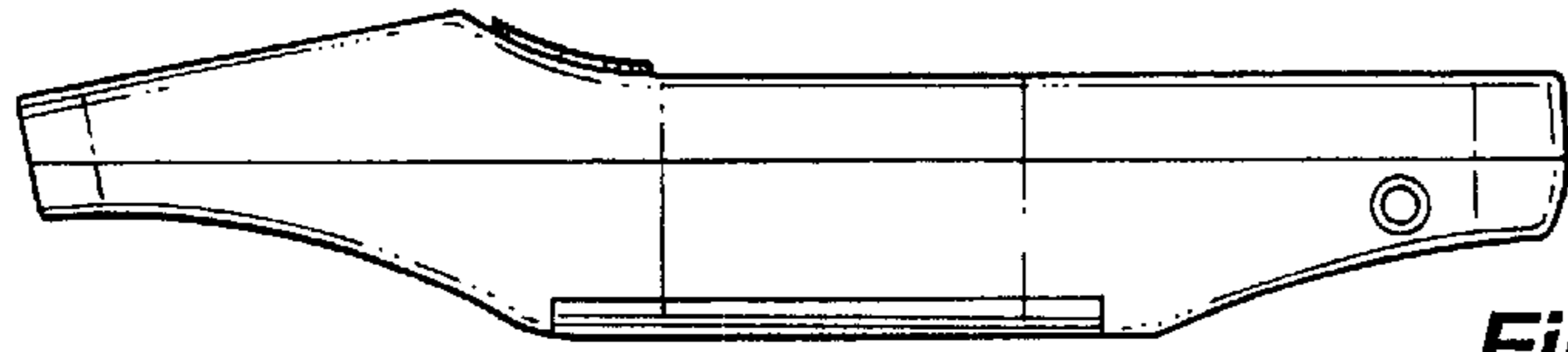


Fig. 1

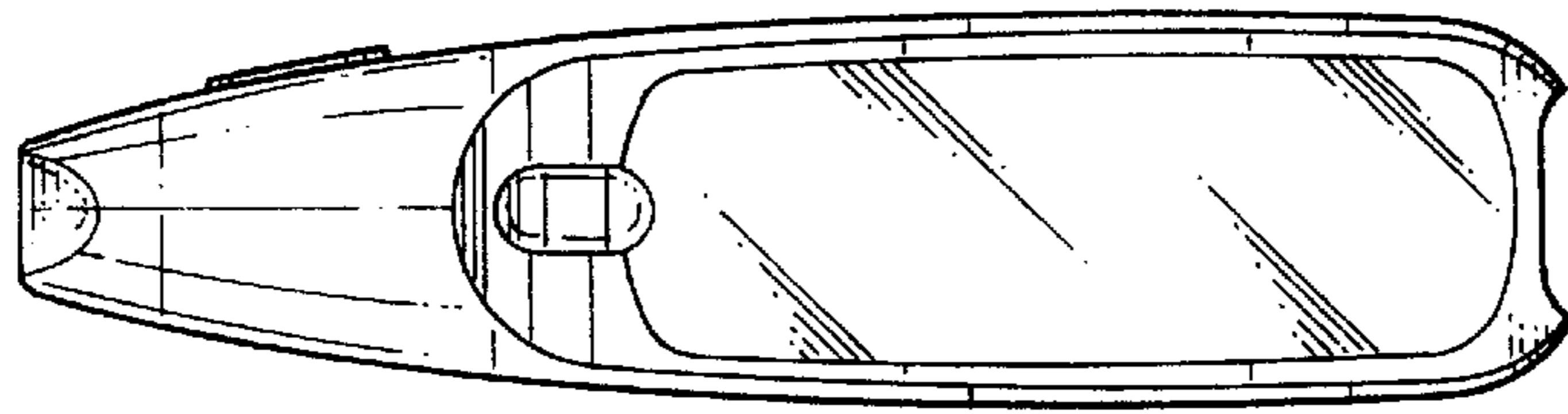


Fig. 2

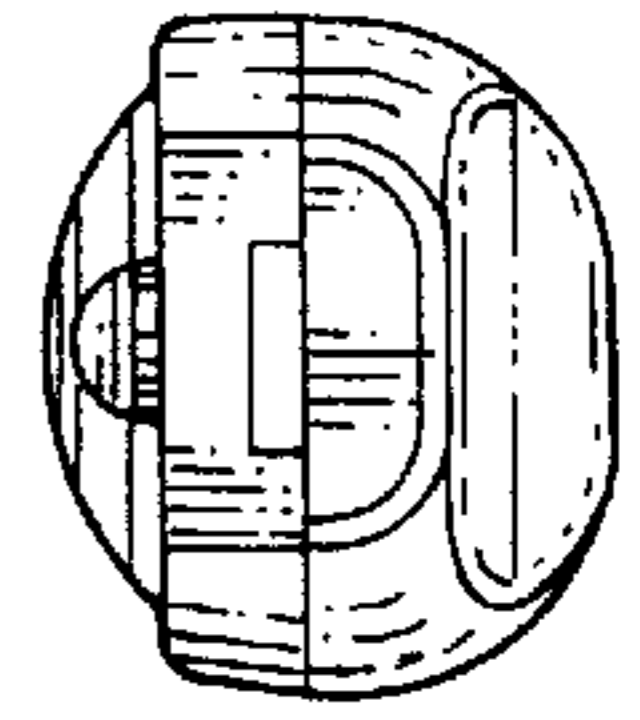


Fig. 3

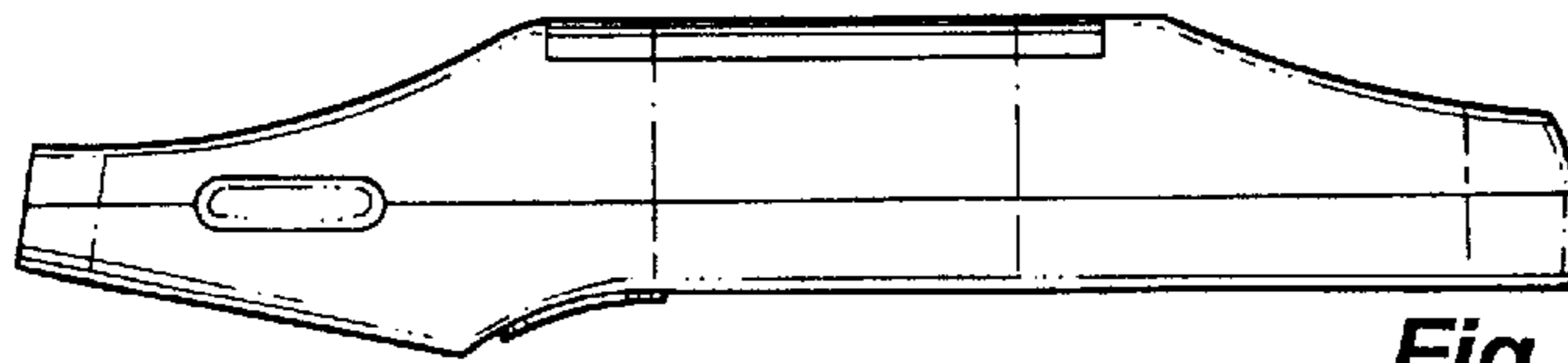


Fig. 4

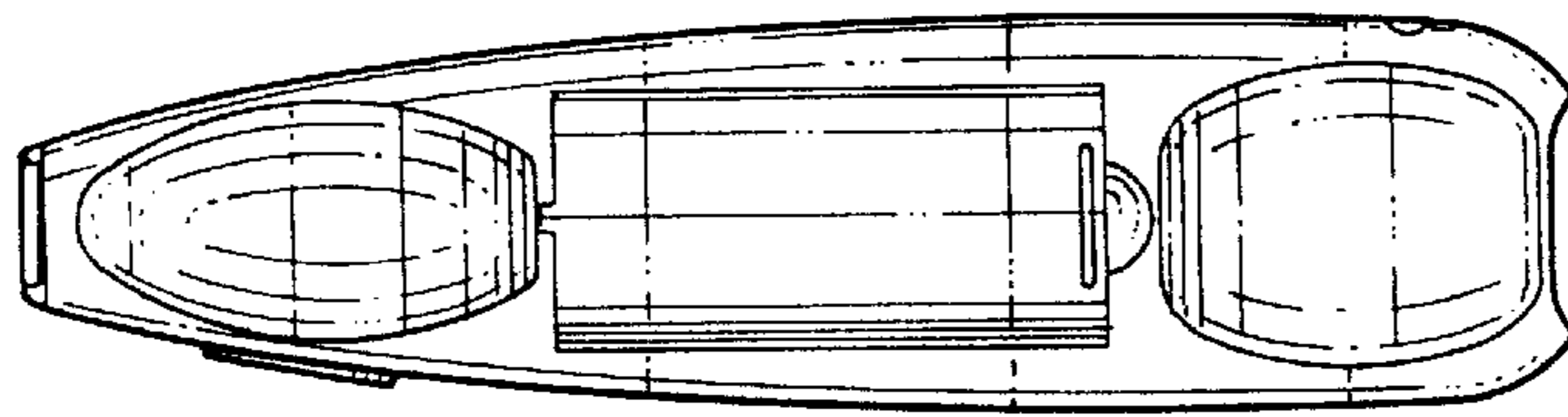


Fig. 5

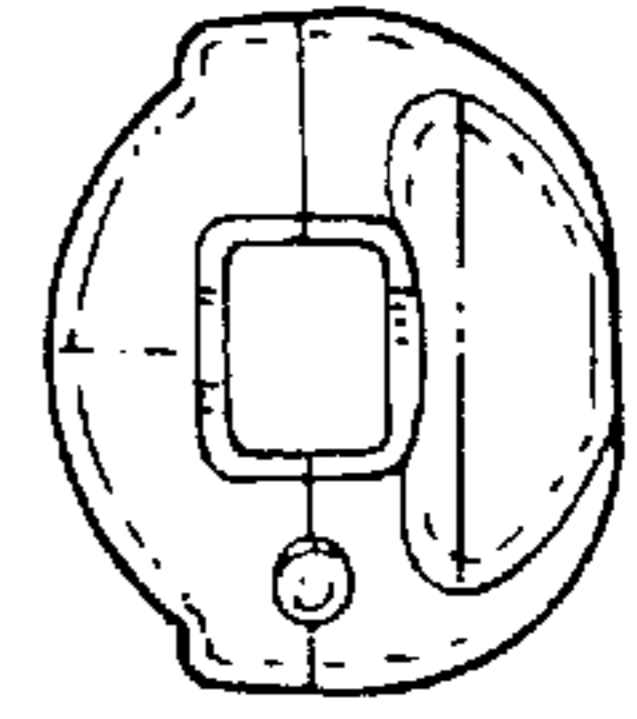


Fig. 6

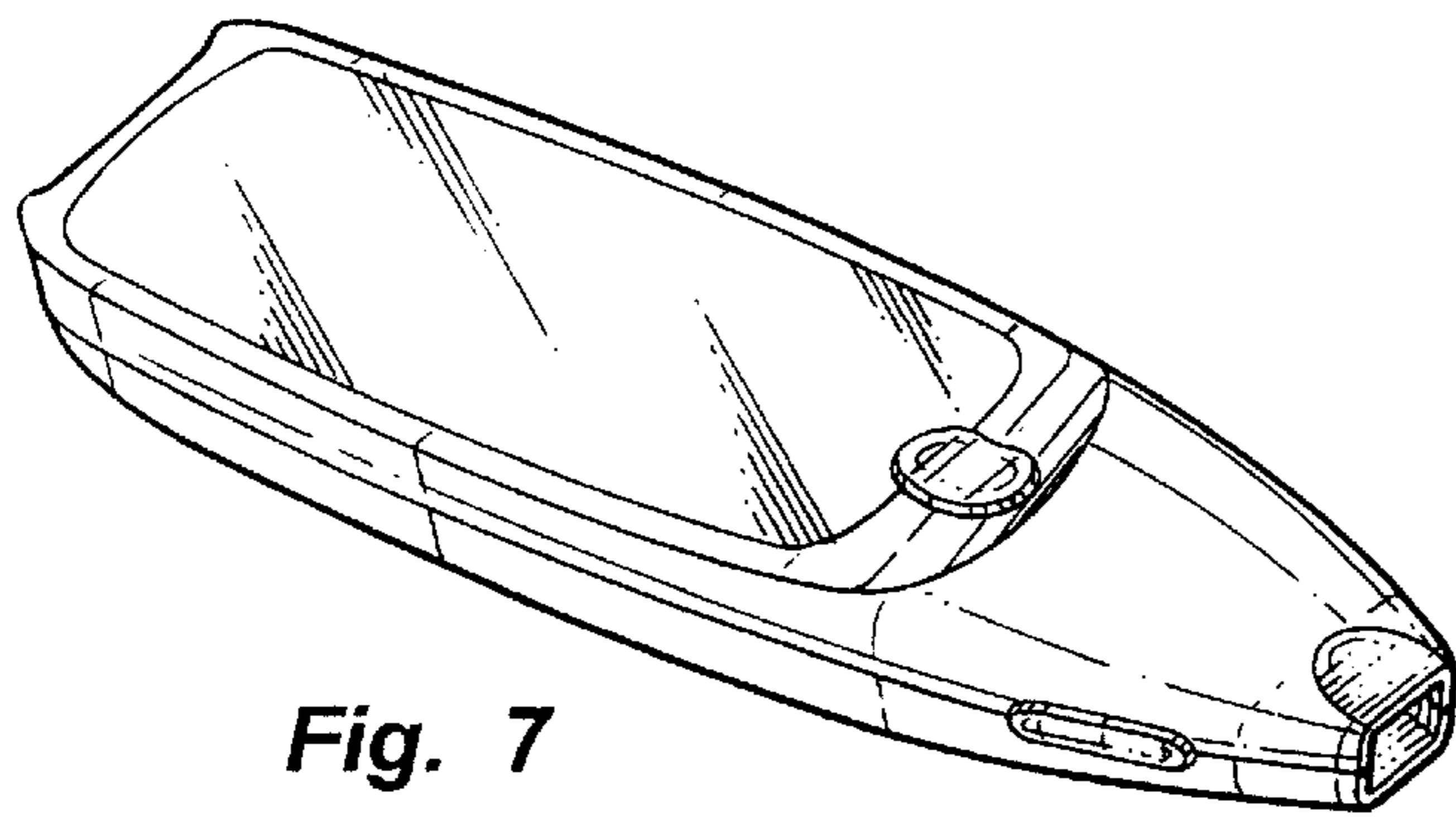


Fig. 7

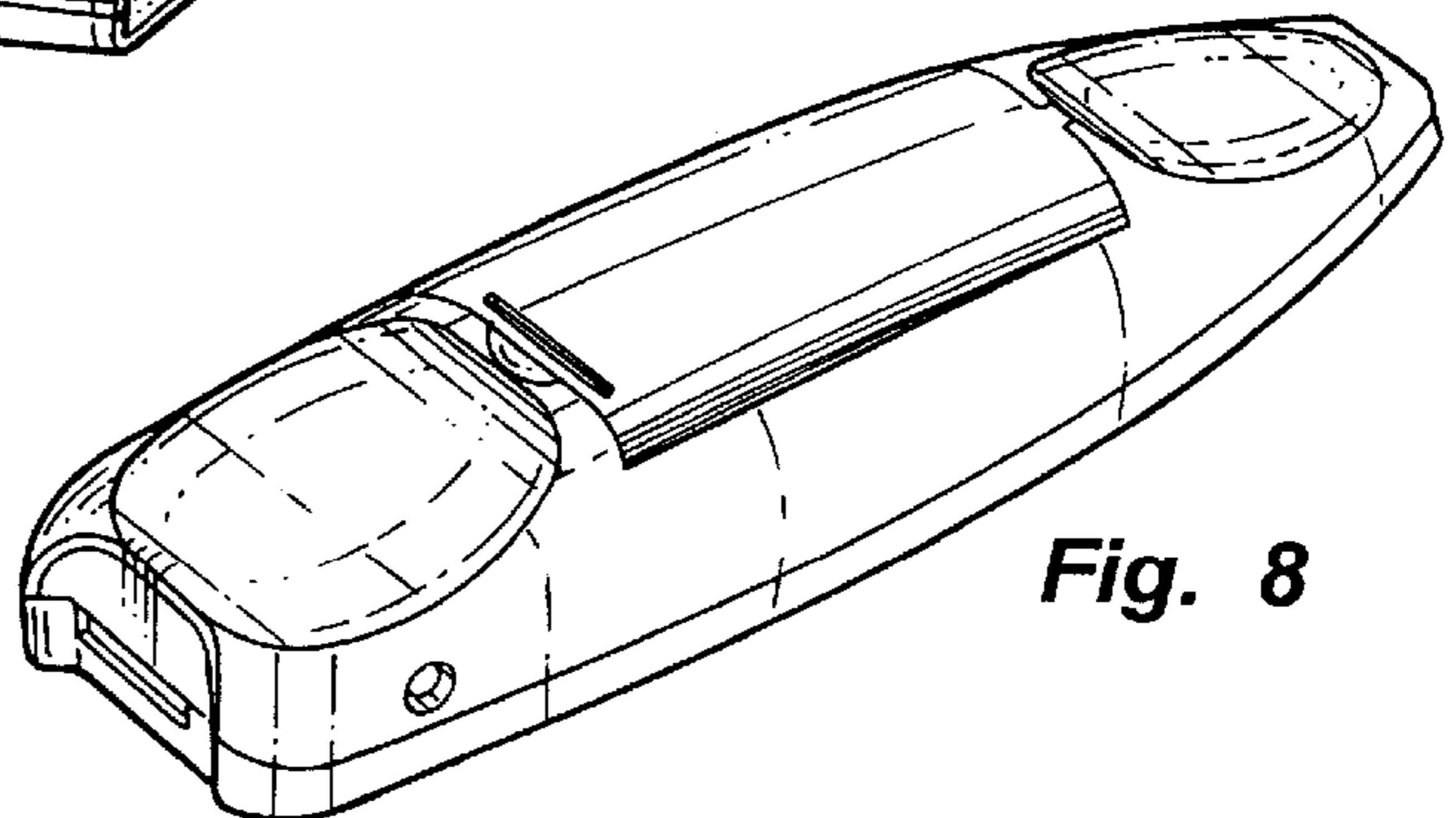


Fig. 8