



US00D433413S

United States Patent [19]

[11] Patent Number: Des. 433,413

Rozenberg et al.

[45] Date of Patent: ** Nov. 7, 2000

[54] BIOMETRIC SCANNING APERTURE FOR A COMPUTER INPUT DEVICE

[75] Inventors: Roman Rozenberg; Tatyana Rozenberg, both of Forest Hills, N.Y.

[73] Assignee: Biolink Technologies International, Inc., Miramar, Fla.

[**] Term: 14 Years

[21] Appl. No.: 29/103,198

[22] Filed: Apr. 9, 1999

[51] LOC (7) Cl. 14-02

[52] U.S. Cl. D14/402

[58] Field of Search D14/402-10; D13/158; D21/385, 324-33; 200/5 R, 5 A, 6 R, 6 A; 273/148 B; 345/156-67; 74/471 XY; 463/36-39; 382/124, 127, 116

[56] References Cited

U.S. PATENT DOCUMENTS

D. 369,593	5/1996	Ma	D14/402
D. 401,919	12/1998	Chiang	D14/409
D. 405,072	2/1999	Tso	D14/409
D. 405,073	2/1999	Mayer	D14/409
D. 411,189	6/1999	Liao et al.	D14/409
D. 411,837	6/1999	Sheehan	D14/409
D. 413,114	8/1999	Sheehan	D14/409
4,152,056	5/1979	Fowler	.	
4,210,899	7/1980	Swonger et al.	.	
4,322,163	3/1982	Schiller	.	
4,428,670	1/1984	Ruell et al.	.	
4,537,484	8/1985	Fowler et al.	.	
4,924,085	5/1990	Kato et al.	.	
4,993,068	2/1991	Piosenka et al.	.	
4,995,086	2/1991	Lilley et al.	.	
5,067,162	11/1991	Driscoll, Jr. et al.	.	
5,131,038	7/1992	Puhl et al.	.	
5,229,764	7/1993	Matchett et al.	.	
5,335,278	8/1994	Matchett et al.	.	
5,335,288	8/1994	Faulkner	.	
5,416,573	5/1995	Sartor, Jr.	.	
5,420,936	5/1995	Fitzpatrick et al.	.	
5,467,403	11/1995	Fishbine et al.	382/116
5,475,839	12/1995	Watson et al.	.	

5,483,601	1/1996	Faulkner	.	
5,502,759	3/1996	Cheng et al.	.	
5,526,428	6/1996	Arnold	.	
5,528,355	6/1996	Maase et al.	.	
5,546,471	8/1996	Merjanian	382/124
5,586,171	12/1996	McAllister et al.	.	
5,608,387	3/1997	Davies	.	
5,650,842	7/1997	Maase et al.	.	
5,655,013	8/1997	Gainsboro	.	
5,680,205	10/1997	Borza	.	
5,719,950	2/1998	Osten et al.	.	
5,748,184	5/1998	Shieh	.	
5,748,766	5/1998	Maase et al.	.	
5,764,222	6/1998	Shieh	.	
5,764,789	6/1998	Pare, Jr. et al.	.	

(List continued on next page.)

FOREIGN PATENT DOCUMENTS

WO 98/11478	3/1998	WIPO	.
WO 98/11501	3/1998	WIPO	.

Primary Examiner—M. H. Tung
Attorney, Agent, or Firm—Malloy & Malloy, P.A.

[57] CLAIM

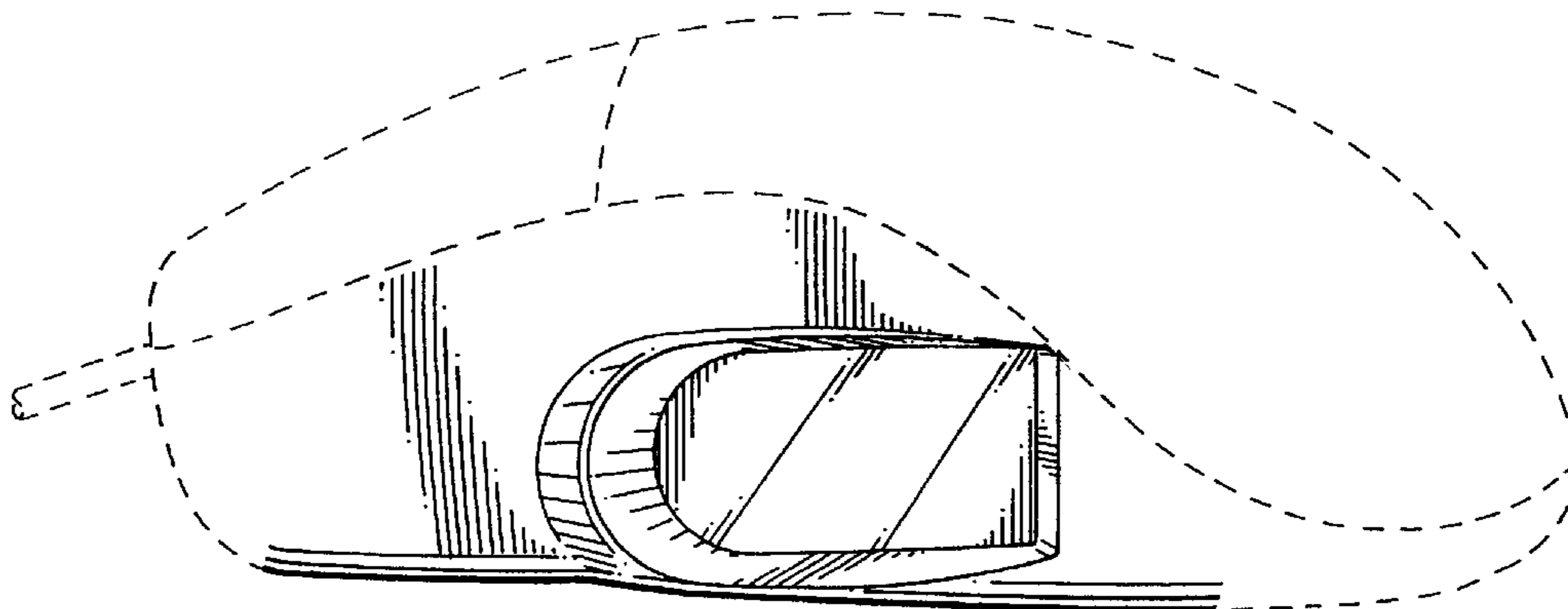
The ornamental design for a biometric scanning aperture for a computer input device, as shown and described.

DESCRIPTION

FIG. 1 is a side elevation view of a biometric scanning aperture for a computer input device;
FIG. 2 is a bottom perspective view of the biometric scanning aperture for a computer input device of FIG. 1;
FIG. 3 is a top perspective view of the biometric scanning aperture for a computer input device of FIG. 1;
FIG. 4 is a front perspective view of the biometric scanning aperture for a computer input device of FIG. 1;
FIG. 5 is a rear perspective view of the biometric scanning aperture for a computer input device of FIG. 1; and,
FIG. 6 is a bottom view of the biometric scanning aperture for a computer input device of FIG. 1.

The broken line drawing in all views of a computer input device is for illustrative purposes only and forms no part of the claimed design.

1 Claim, 6 Drawing Sheets



U.S. PATENT DOCUMENTS

5,774,571	6/1998	Marshall .	5,881,226	3/1999	Veneklase .
5,781,651	7/1998	Hsiao et al. .	5,889,474	3/1999	LaDue .
5,825,474	10/1998	Maase .	5,894,303	4/1999	Barr D14/405 X
5,838,306	11/1998	O'Connor et al. 345/163	5,926,533	7/1999	Gainsboro .
5,844,244	12/1998	Graf et al. .	5,930,804	7/1999	Yu et al. .
5,848,231	12/1998	Teitelbaum et al. .	5,952,641	9/1999	Korshun .
5,867,795	2/1999	Novis et al. .	5,954,583	9/1999	Green .
5,867,802	2/1999	Borza .	5,963,657	10/1999	Bowker et al. .
5,872,834	2/1999	Teitelbaum .	5,963,908	10/1999	Chadha .
			5,991,431	11/1999	Borza et al. 382/127

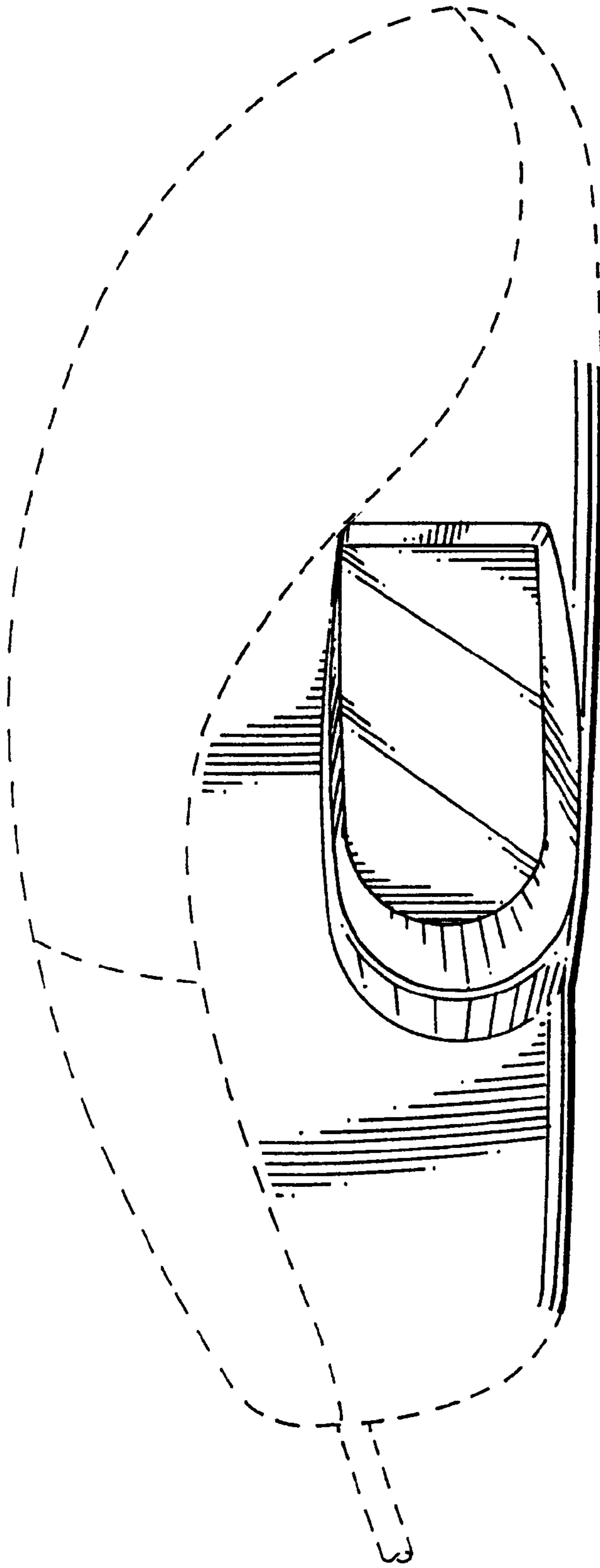


FIG. 1

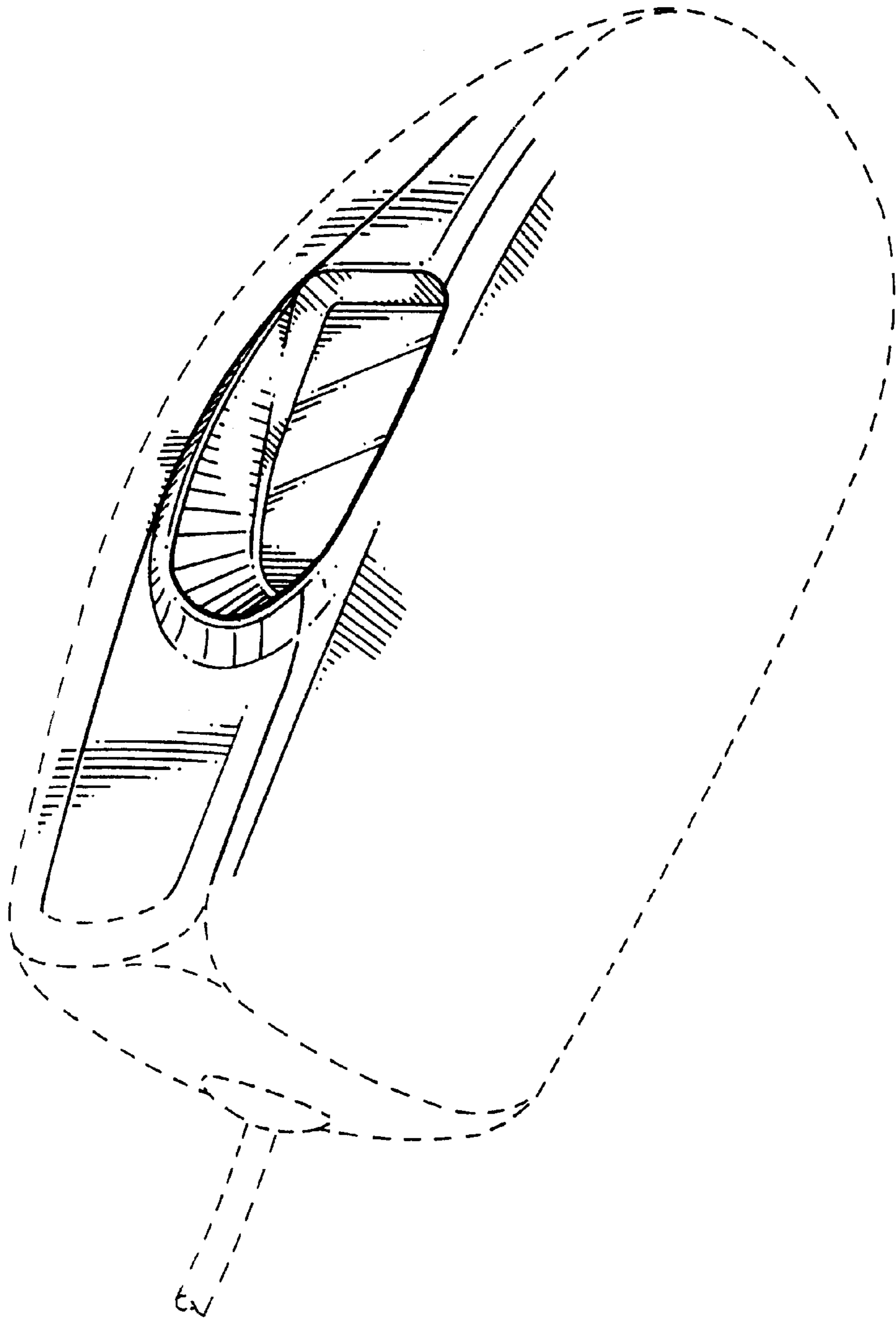


FIG. 2

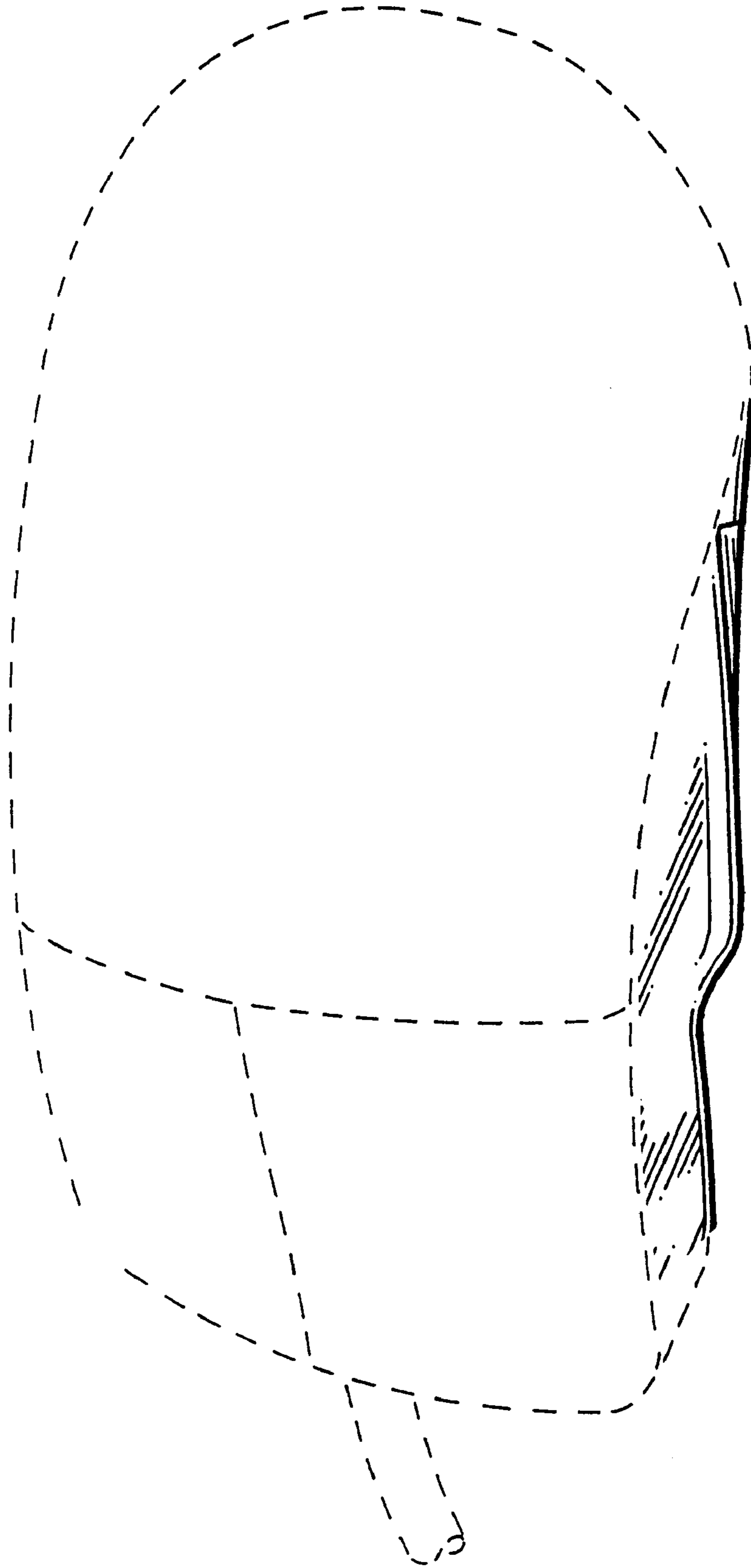


FIG. 3

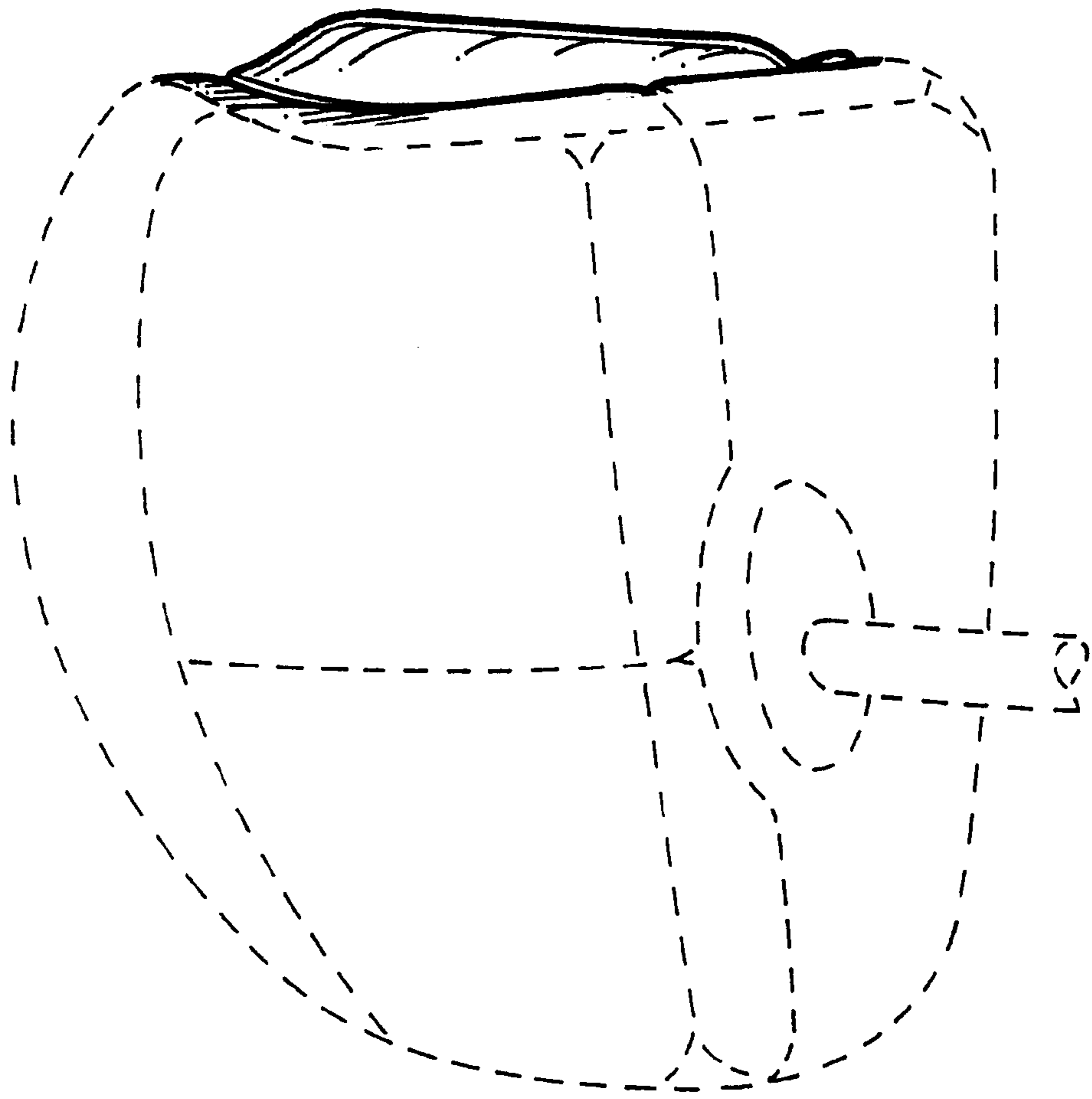


FIG. 4

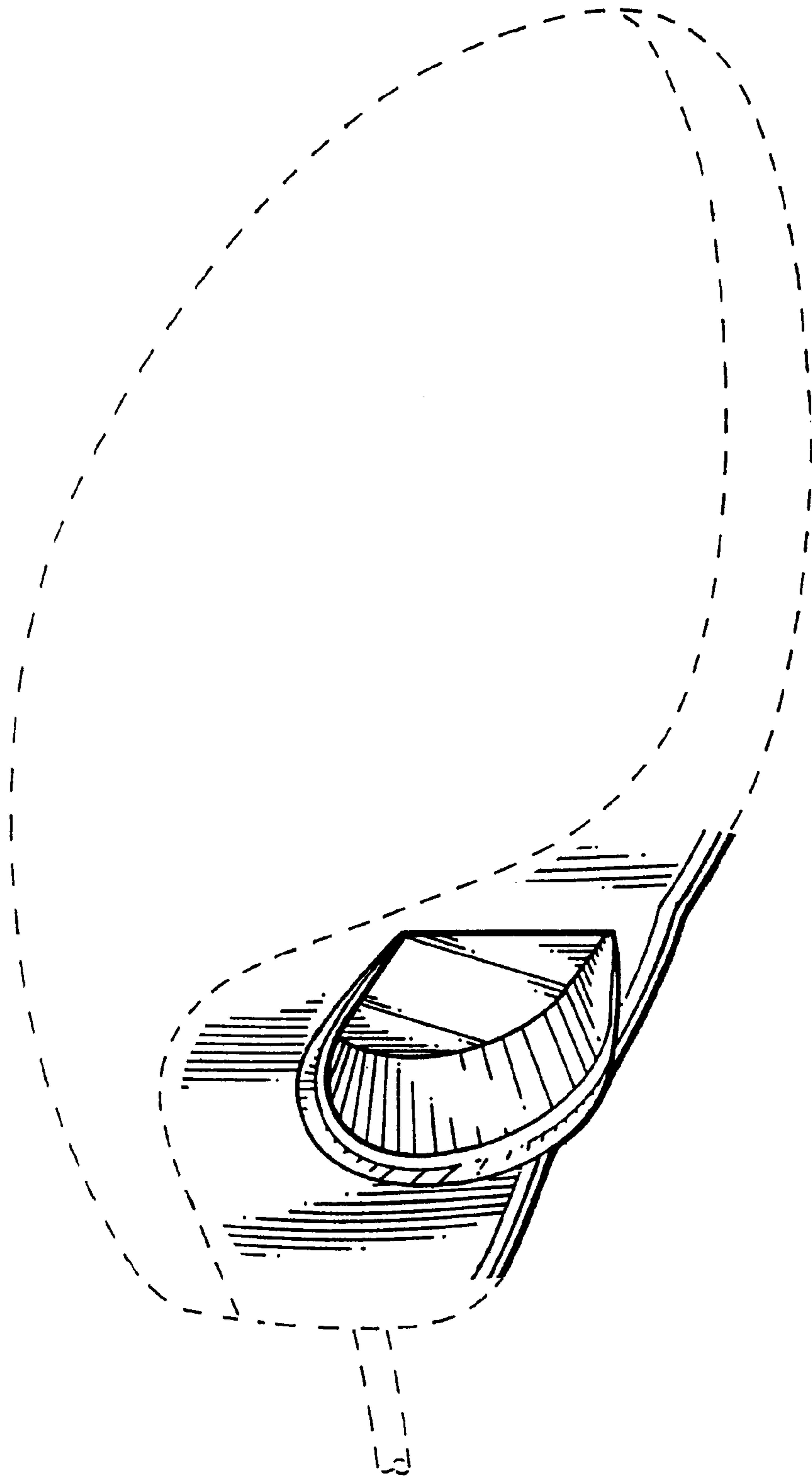


FIG. 5

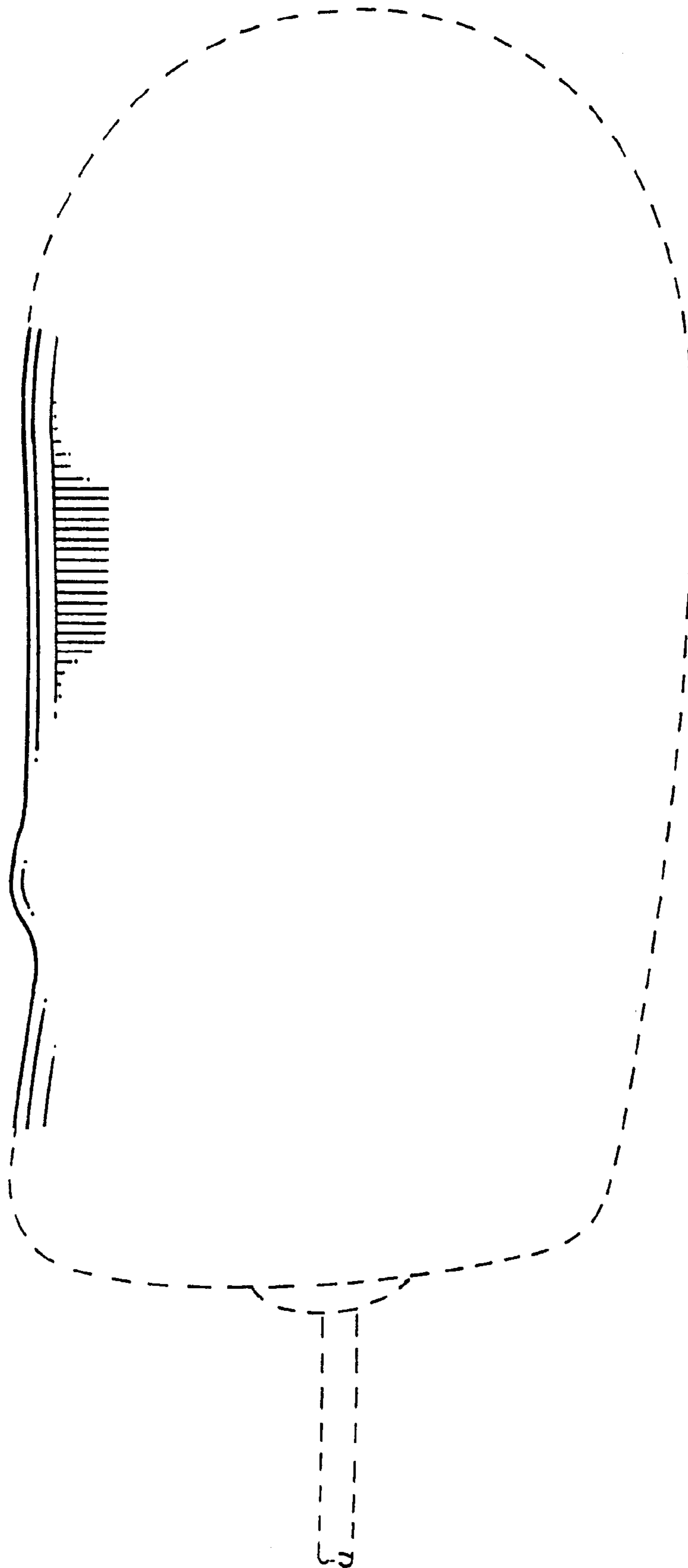


FIG. 6