



US00D433410S

United States Patent [19]
Matsuzaka

[11] **Patent Number: Des. 433,410**

[45] **Date of Patent: ** Nov. 7, 2000**

[54] **AUDIO VISUAL DATA RECORDER**

[75] Inventor: **Yozo Matsuzaka**, Tokyo, Japan

[73] Assignee: **Sony Corporation**, Japan

[**] Term: **14 Years**

[21] Appl. No.: **29/114,995**

[22] Filed: **Dec. 7, 1999**

[51] **LOC (7) Cl.** **14-02**

[52] **U.S. Cl.** **D14/365; D14/125; D14/136**

[58] **Field of Search** D14/496, 125,
D14/239, 299, 167, 356, 135, 136, 362,
365, 156, 160; 369/75.1, 77.1; 386/75,
96

[56] **References Cited**

U.S. PATENT DOCUMENTS

- D. 347,837 6/1994 Gerlach D14/496
- D. 390,217 2/1998 Prstojevich et al. D14/125
- D. 393,637 4/1998 Franek D14/125
- D. 400,208 10/1998 Fenner D14/125

- D. 407,393 3/1999 Kazama D14/125
- D. 409,609 5/1999 Goto D14/156

OTHER PUBLICATIONS

Sony VAIO PCV-L7-10/BP2, PCV-L510/BP2,
PCV-L310/BP2, 3 pages, Jul. 1999.

Primary Examiner—Richelle Shelton
Attorney, Agent, or Firm—Rader, Fishma&Grauer

[57] **CLAIM**

The ornamental design for an audio visual data recorder, as shown and described.

DESCRIPTION

FIG. 1 is a perspective view of an audio visual data recorder showing my new design;
FIG. 2 is a top plan view thereof;
FIG. 3 is a bottom plan view thereof;
FIG. 4 is a left side elevational view thereof;
FIG. 5 is a right side elevational view thereof;
FIG. 6 is a front elevational view thereof; and,
FIG. 7 is a rear elevational view thereof.

1 Claim, 4 Drawing Sheets

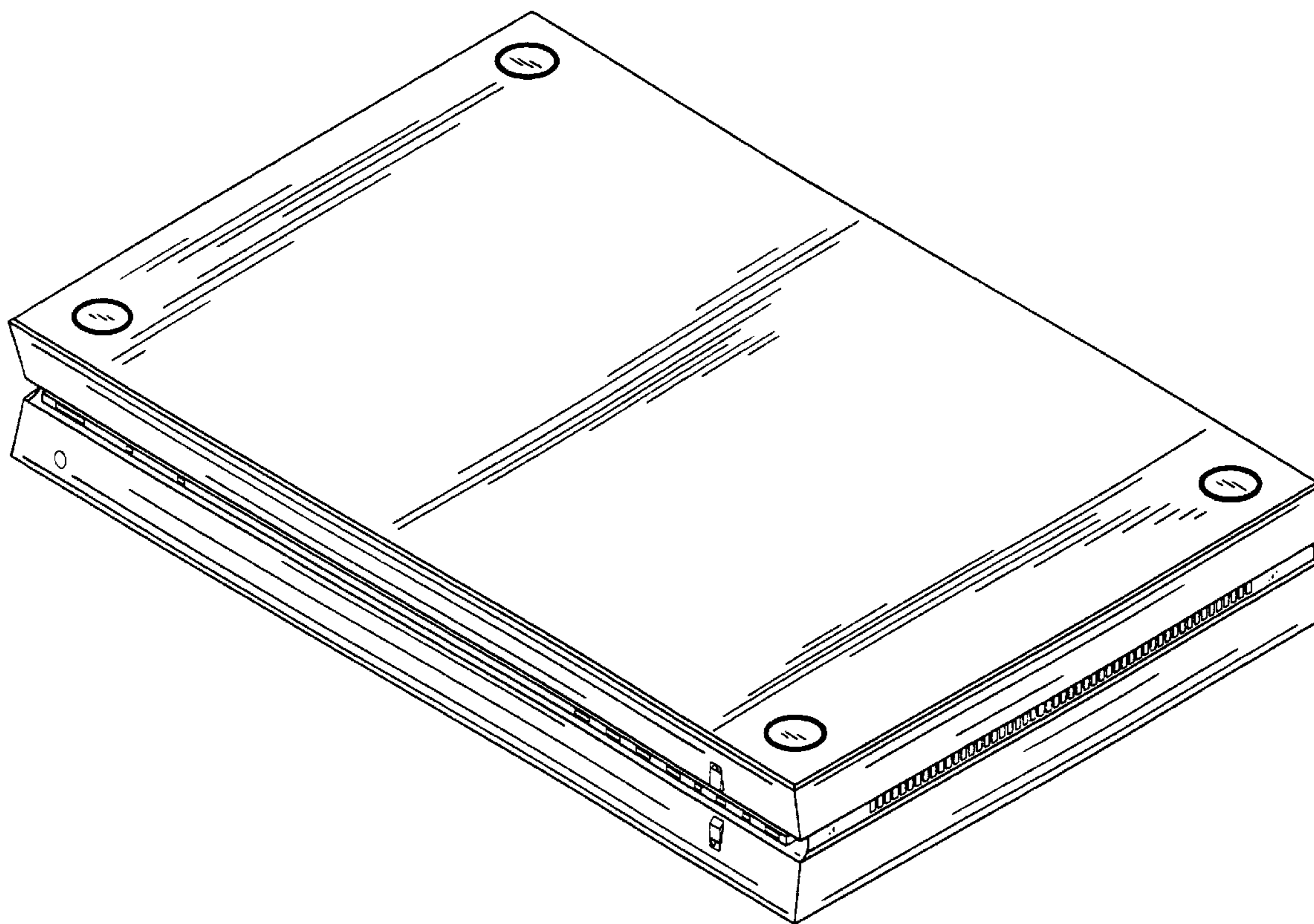


FIG. 1

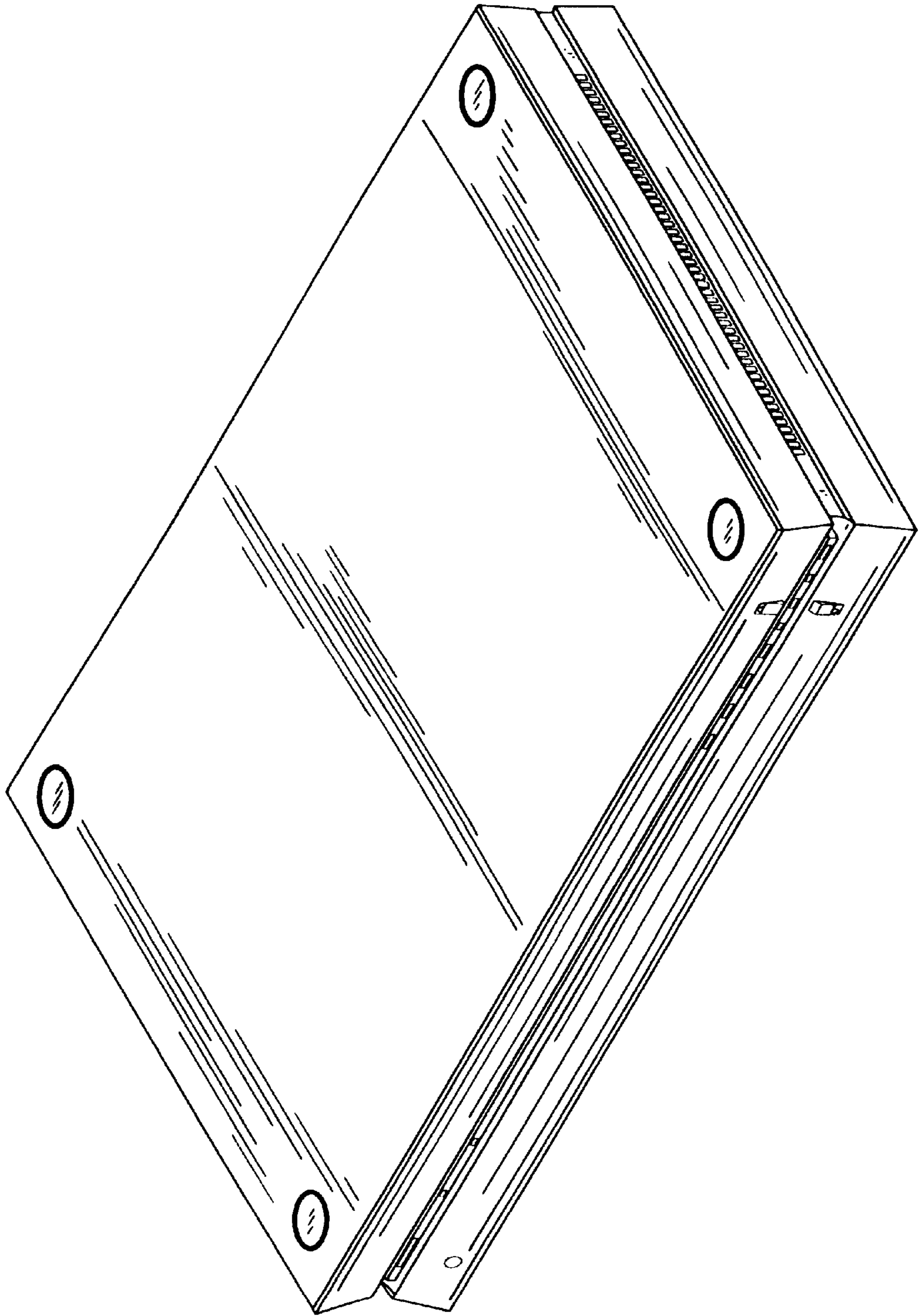


FIG. 3

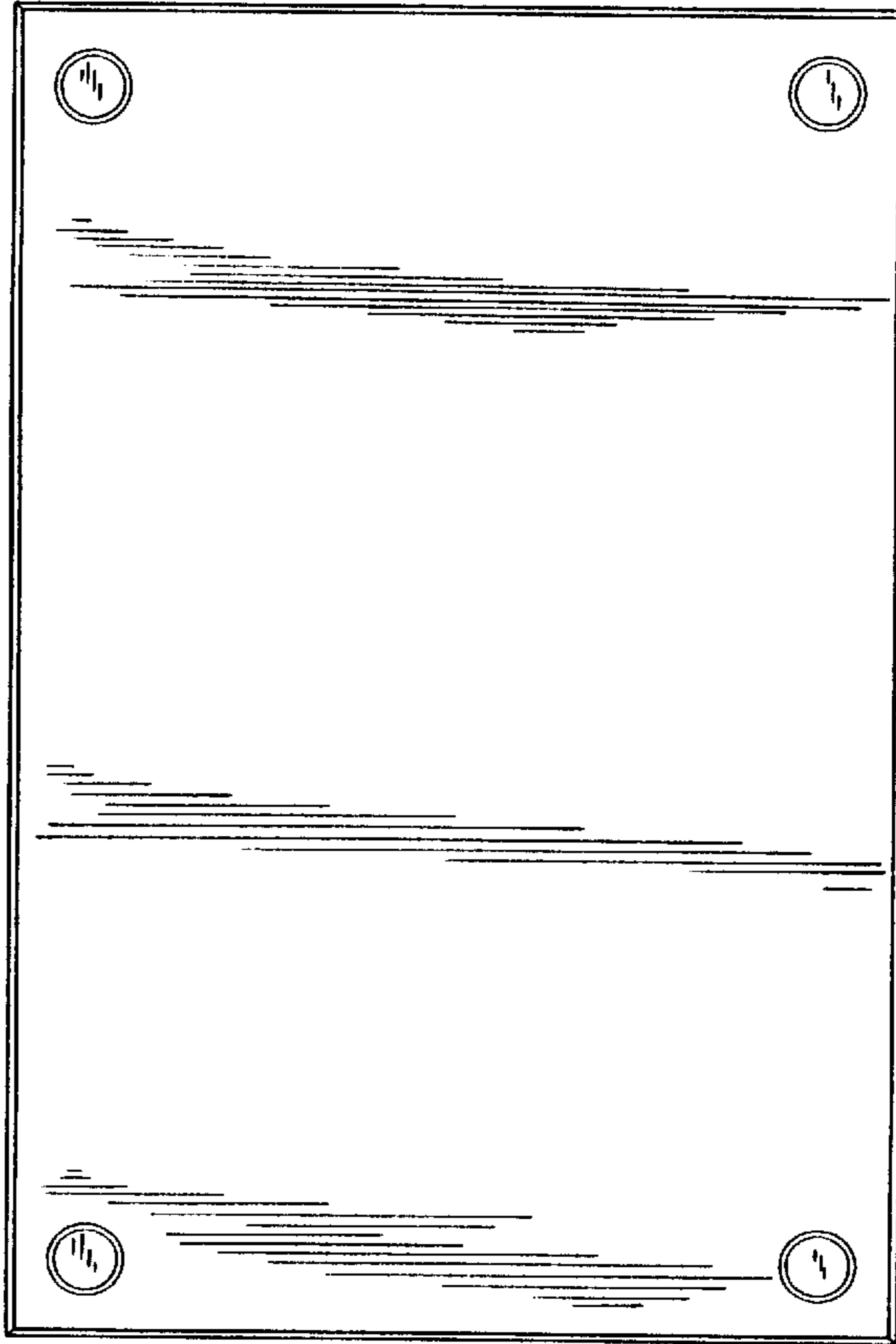


FIG. 2

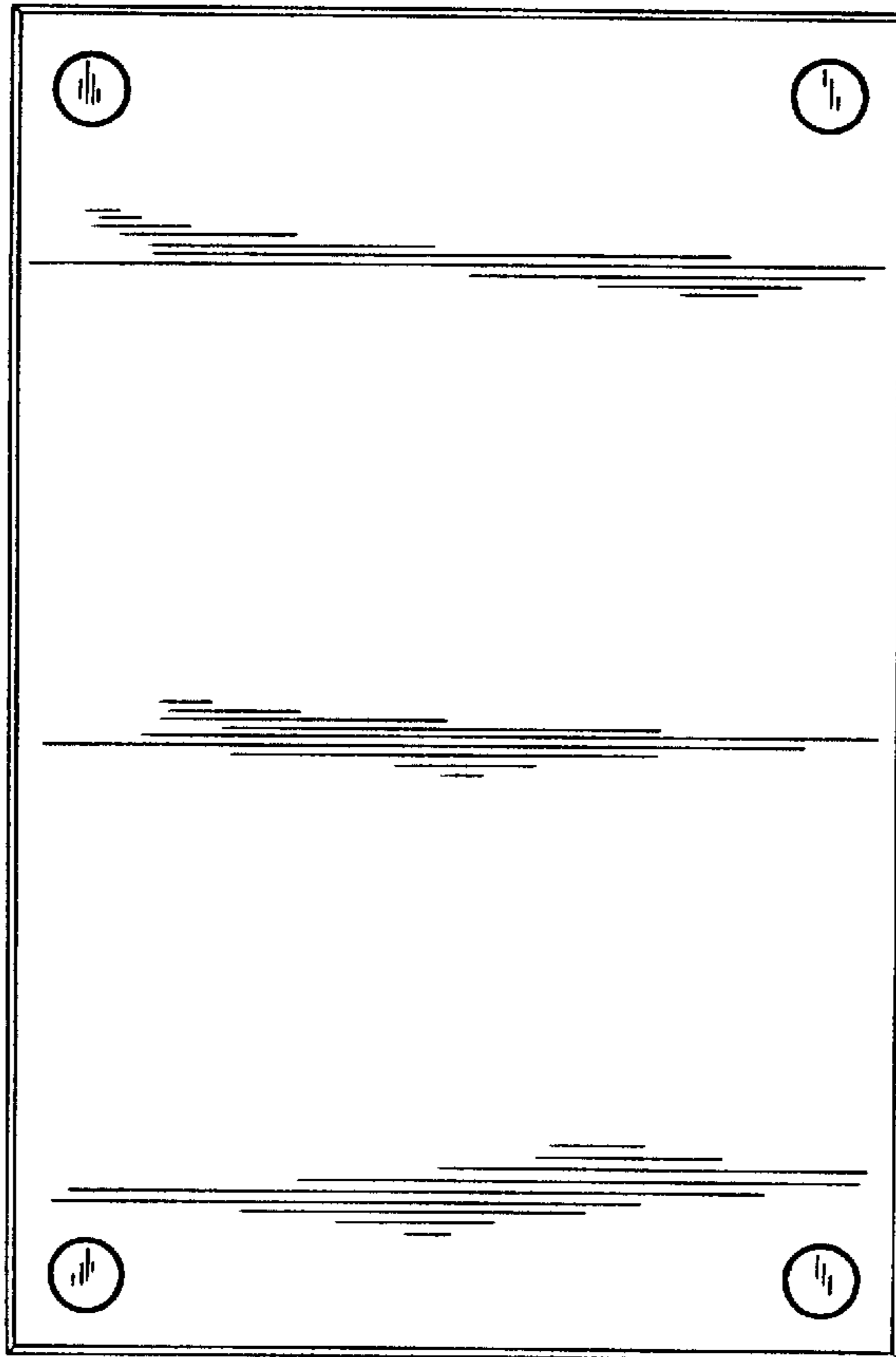


FIG. 5

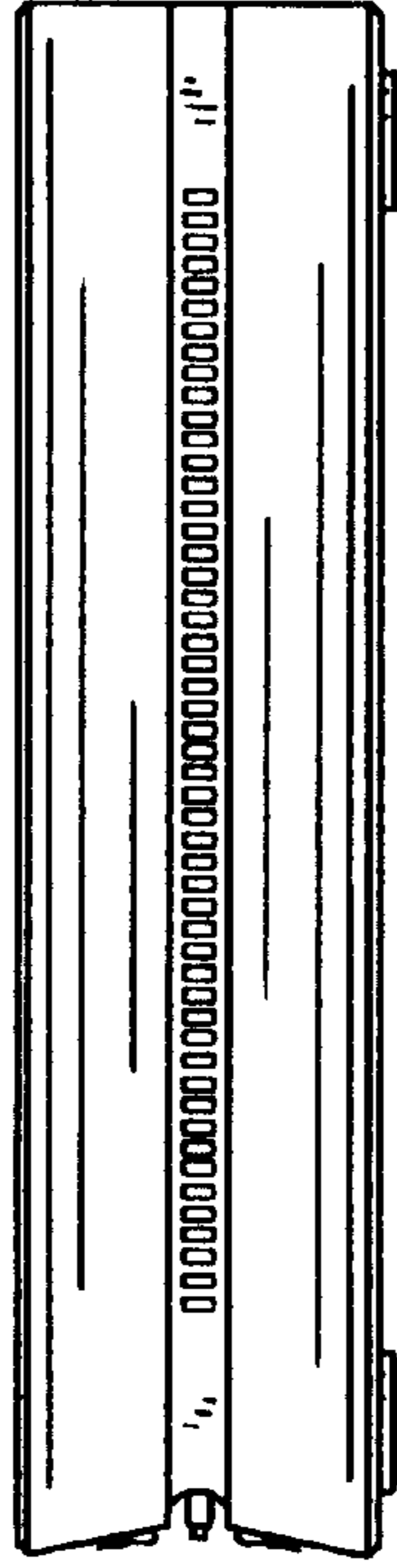


FIG. 4

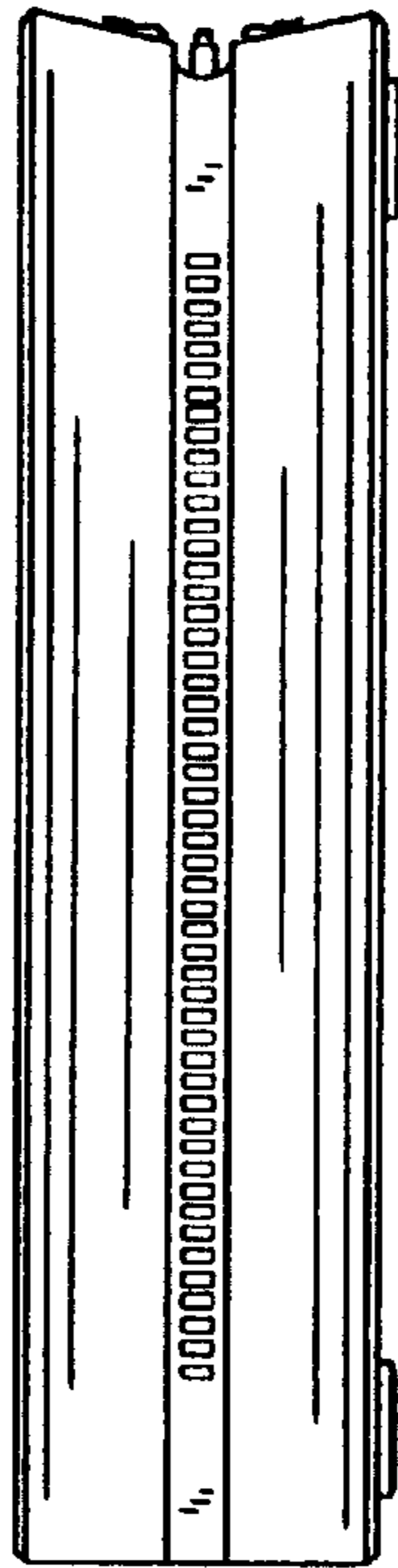


FIG. 7

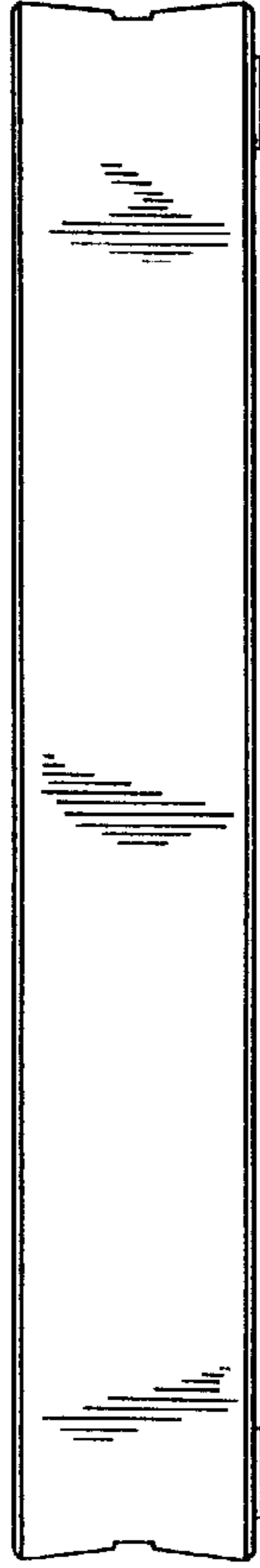


FIG. 6

