



US00D433407S

**United States Patent** [19]  
**Kobayashi et al.**

[11] **Patent Number: Des. 433,407**  
[45] **Date of Patent: \*\* Nov. 7, 2000**

[54] **DRUM FOR VIDEO TAPE RECORDER**

[75] Inventors: **Kenji Kobayashi; Mitsutoshi Kanetsuka; Hiroshi Orikiawa; Yoshiaki Haba; Yoshiteru Kawakami,** all of Tokyo, Japan

[73] Assignee: **Sony Corporation,** Japan

[\*\*] Term: **14 Years**

[21] Appl. No.: **29/073,620**

[22] Filed: **Jul. 11, 1997**

[51] **LOC (7) Cl. .... 14-03**

[52] **U.S. Cl. .... D14/239**

[58] **Field of Search ..... D14/217, 239, D14/260; 360/107, 130.24**

[56] **References Cited**

**U.S. PATENT DOCUMENTS**

5,047,882	9/1991	Kawai et al. ....	360/107
5,113,298	5/1992	Fukushima et al. ....	360/130.24 X
5,189,577	2/1993	Nishima et al. ....	360/107 X
5,343,348	8/1994	Nishima et al. ....	360/107 X
5,438,468	8/1995	Hasegawa et al. ....	360/107

**FOREIGN PATENT DOCUMENTS**

DM/040 814 7/1997 Hague Agreement .

**OTHER PUBLICATIONS**

5 Sheets of photographs showing drums for a video tape recorder, (Publicly disclosed, Jun. 1997).  
Catalog "GY-2120/D-MX-B9", pp. 4, 5, Sony (Apr. 1997).

*Primary Examiner*—Richelle Shelton  
*Attorney, Agent, or Firm*—Rader, Fishman&Grauer

[57] **CLAIM**

The ornamental design for a drum for a video tape recorder, as shown and described.

**DESCRIPTION**

FIG. 1 is a perspective view of a first embodiment of a drum for a video tape recorder showing our new design;  
FIG. 2 is a top plan view thereof;  
FIG. 3 is a left side elevational view thereof;  
FIG. 4 is a front elevational view thereof;  
FIG. 5 is a bottom plan view thereof;  
FIG. 6 is a right side elevational view thereof;  
FIG. 7 is a rear elevational view thereof;  
FIG. 8 is a perspective view of a second embodiment of a drum for a video tape recorder showing our new design;  
FIG. 9 is a front elevational view of the embodiment of FIG. 8; and,  
FIG. 10 is a rear elevational view of the embodiment of FIG. 8. The rest of views of the embodiment of FIG. 8 are the same as those of the embodiment of FIG. 1.

**1 Claim, 5 Drawing Sheets**

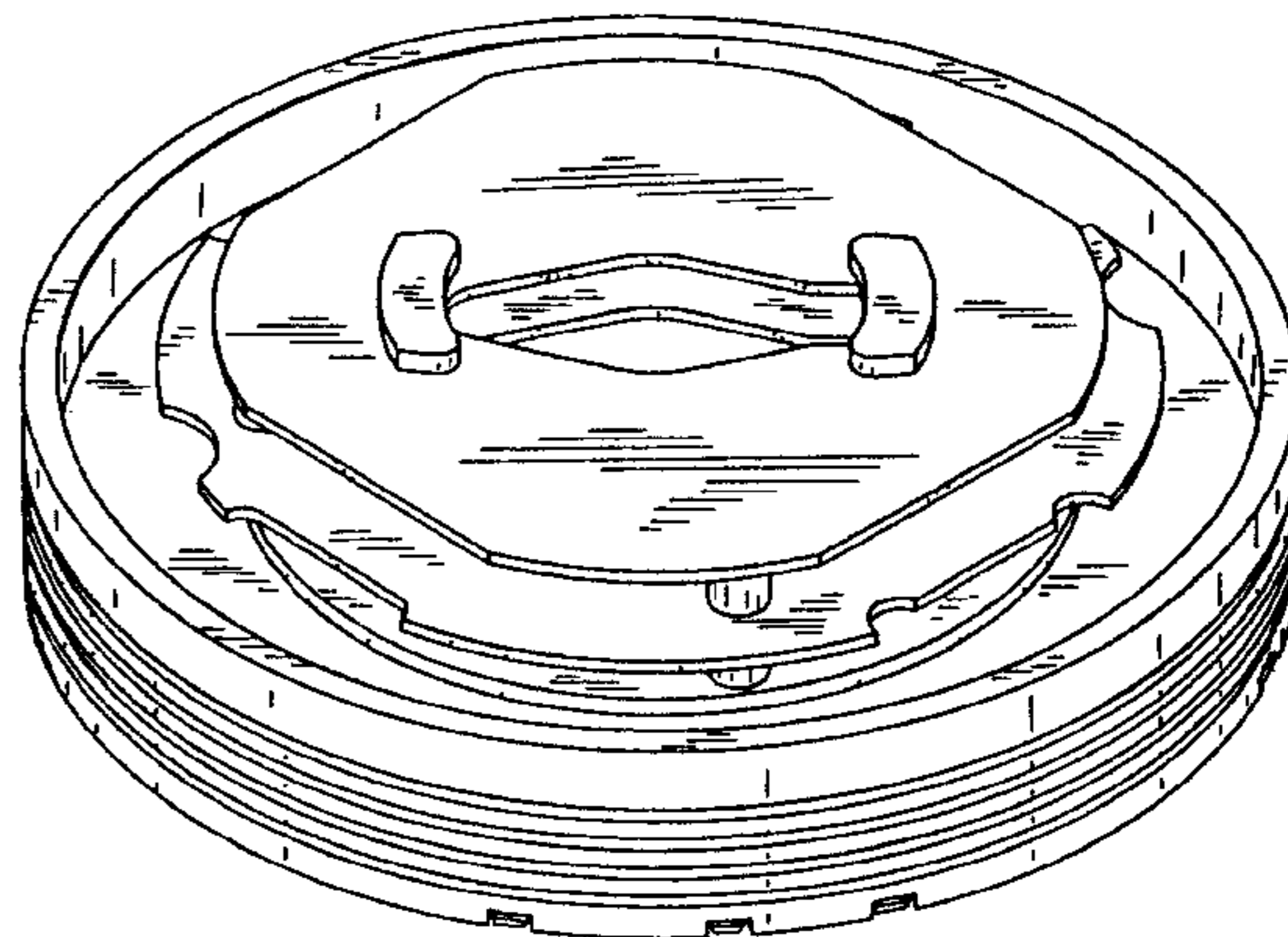
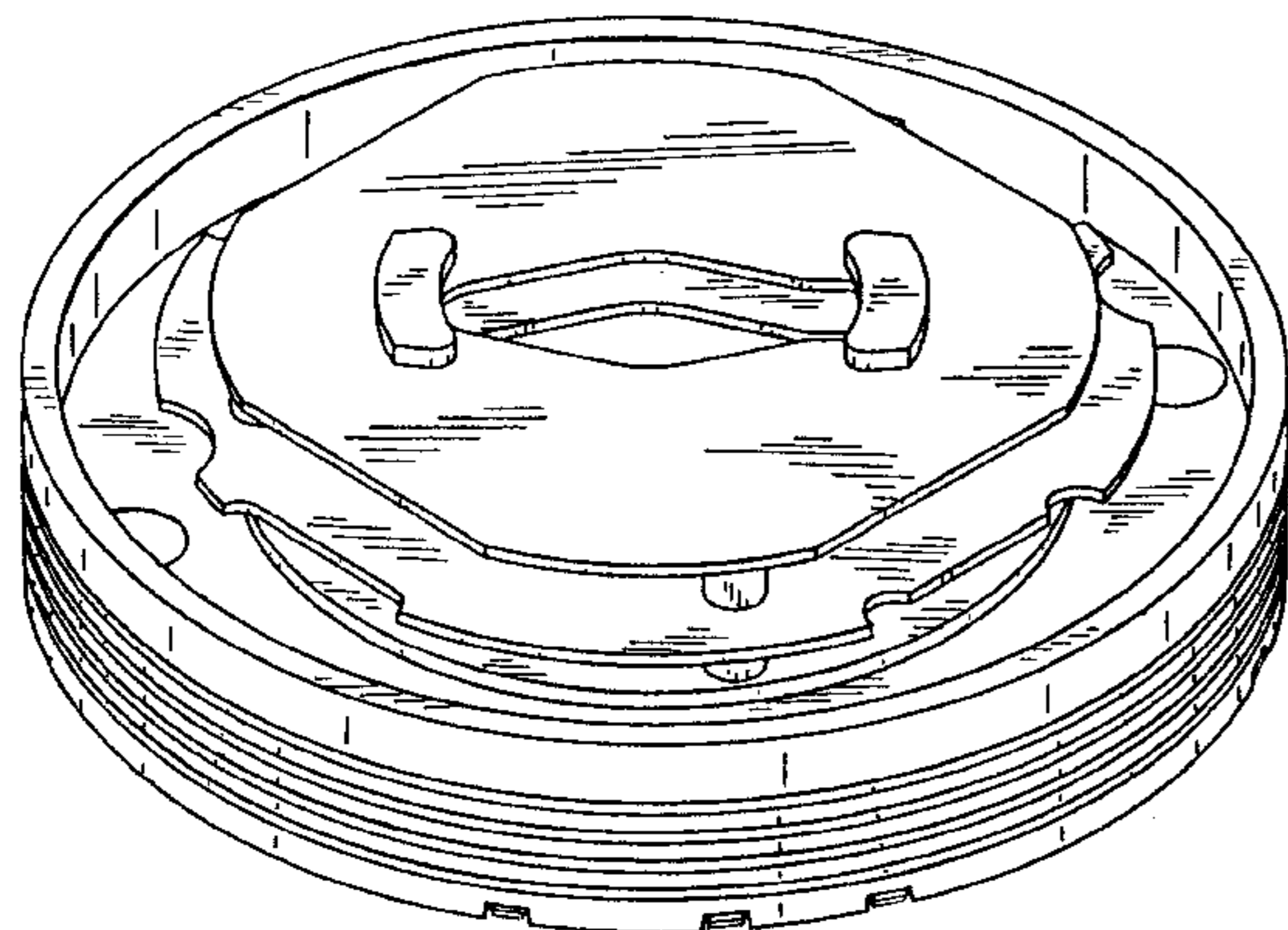


FIG. 1

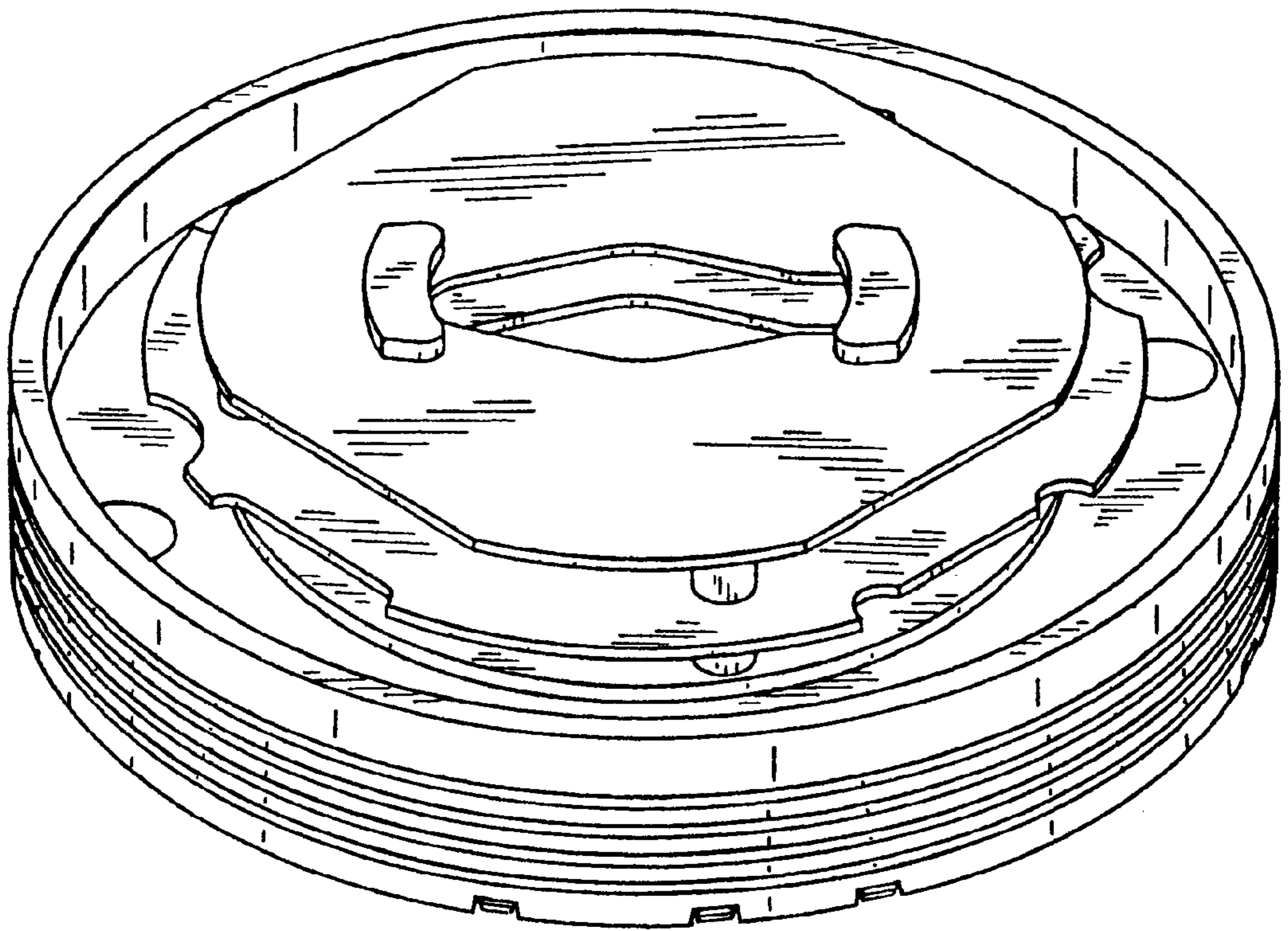


FIG. 2

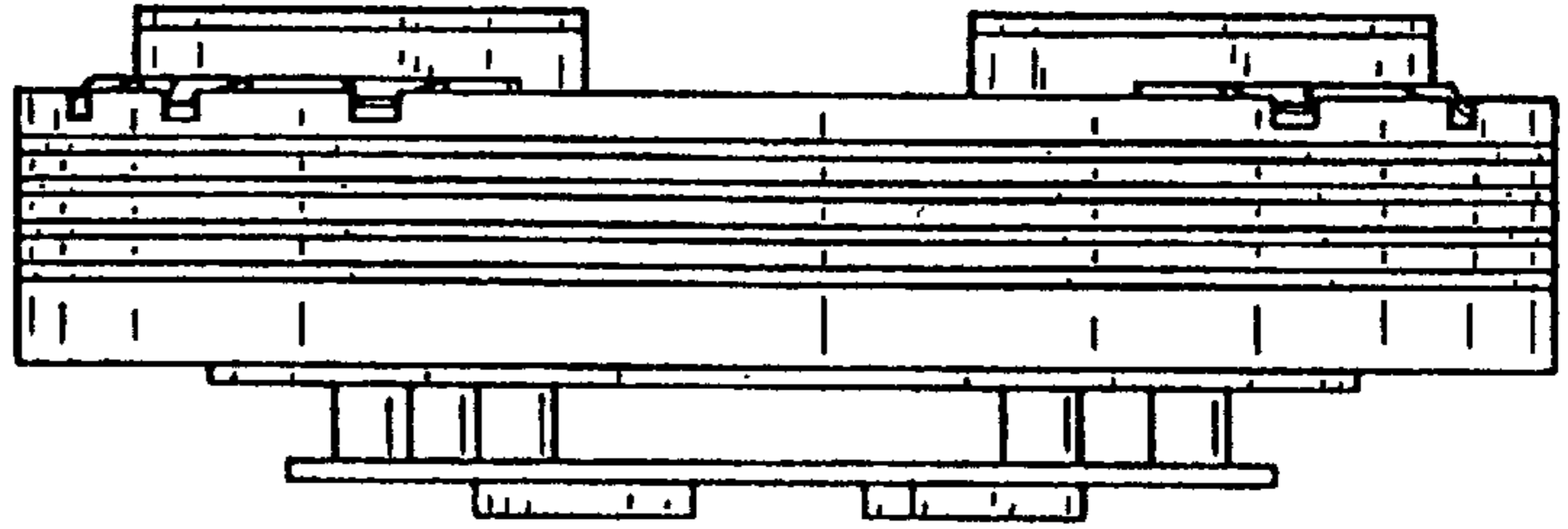


FIG. 3

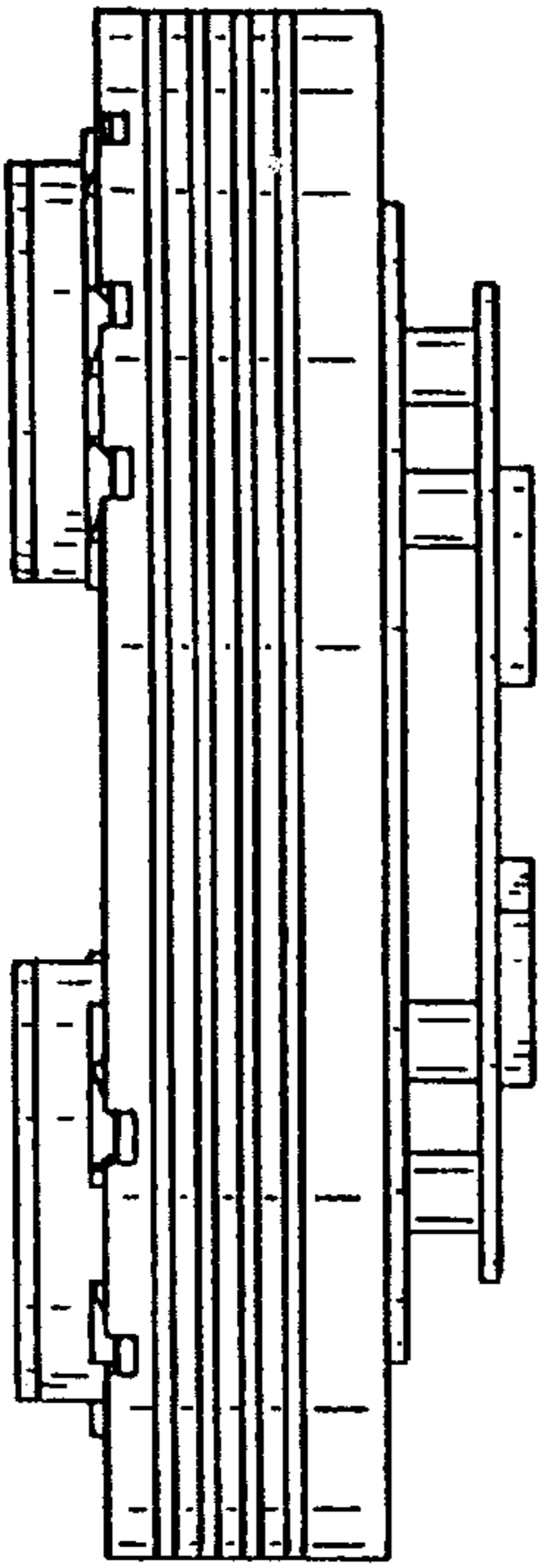


FIG. 4

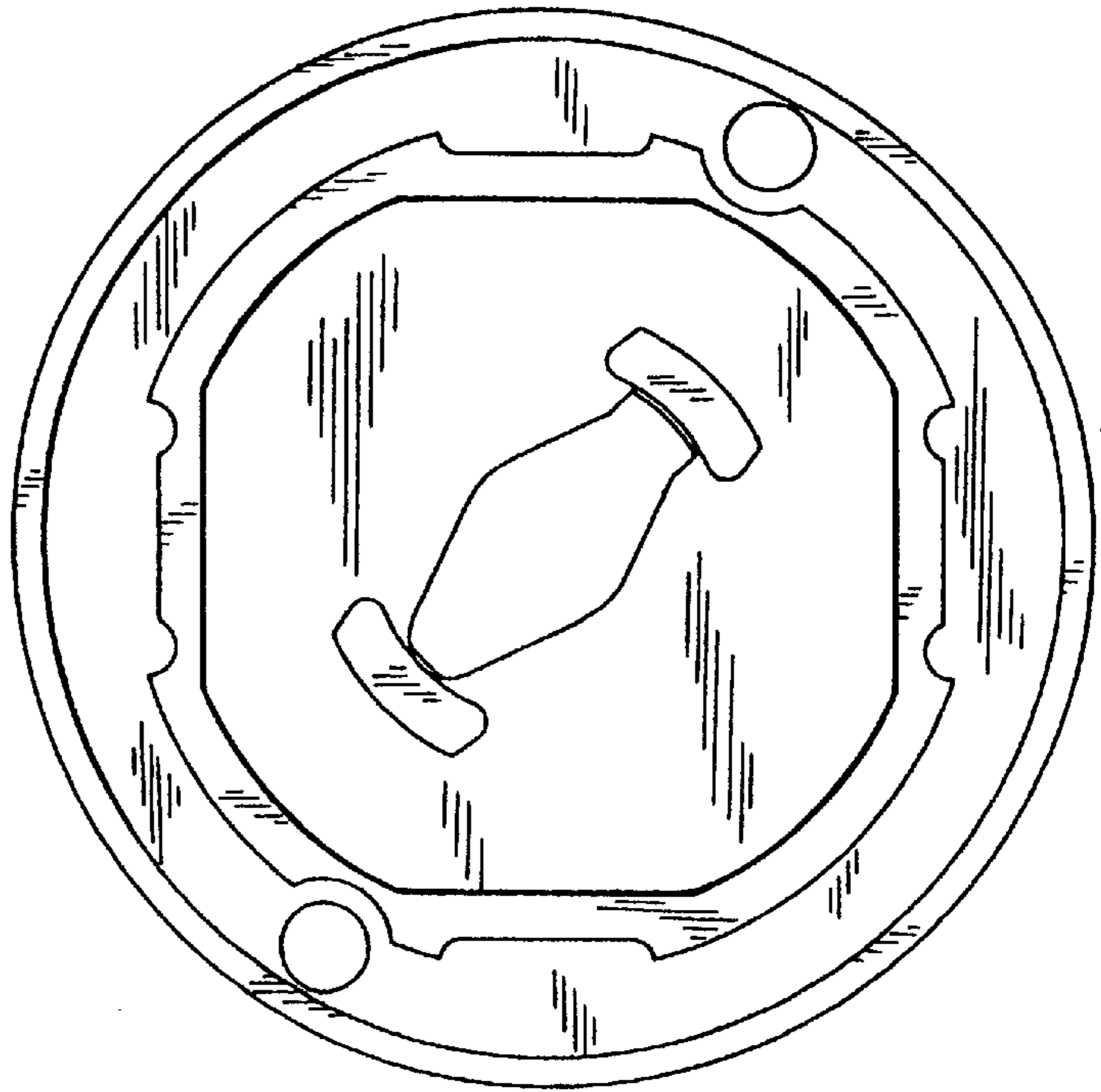


FIG. 5

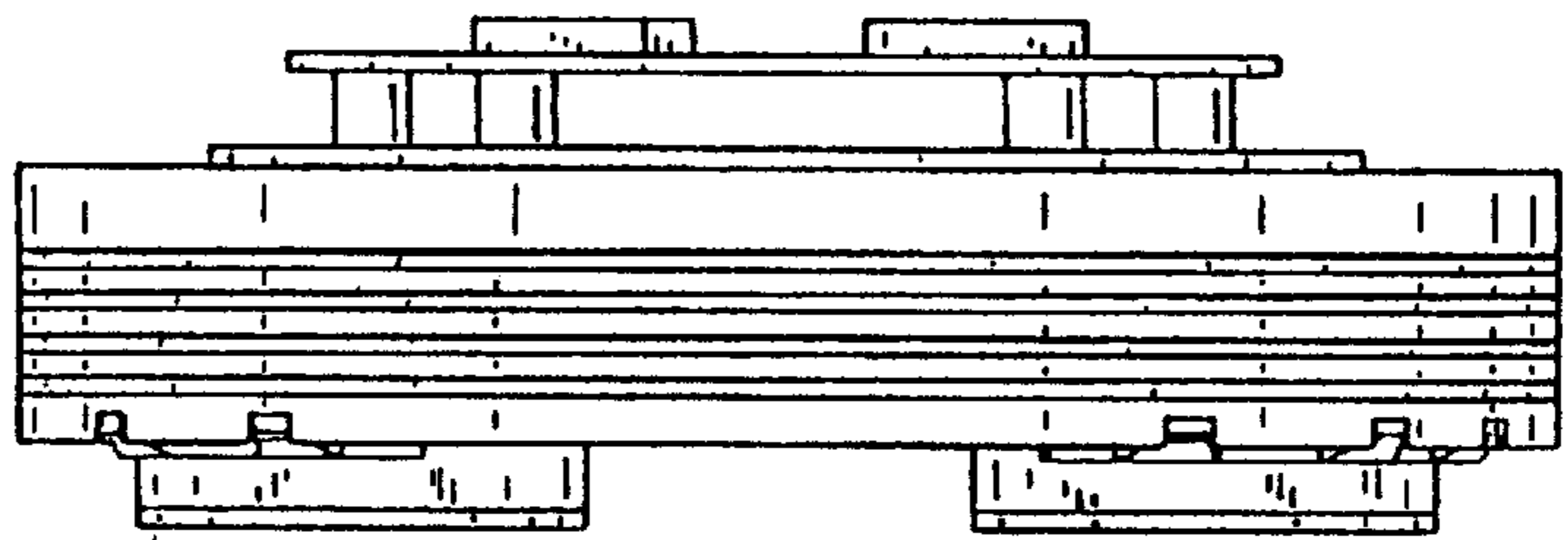


FIG. 7

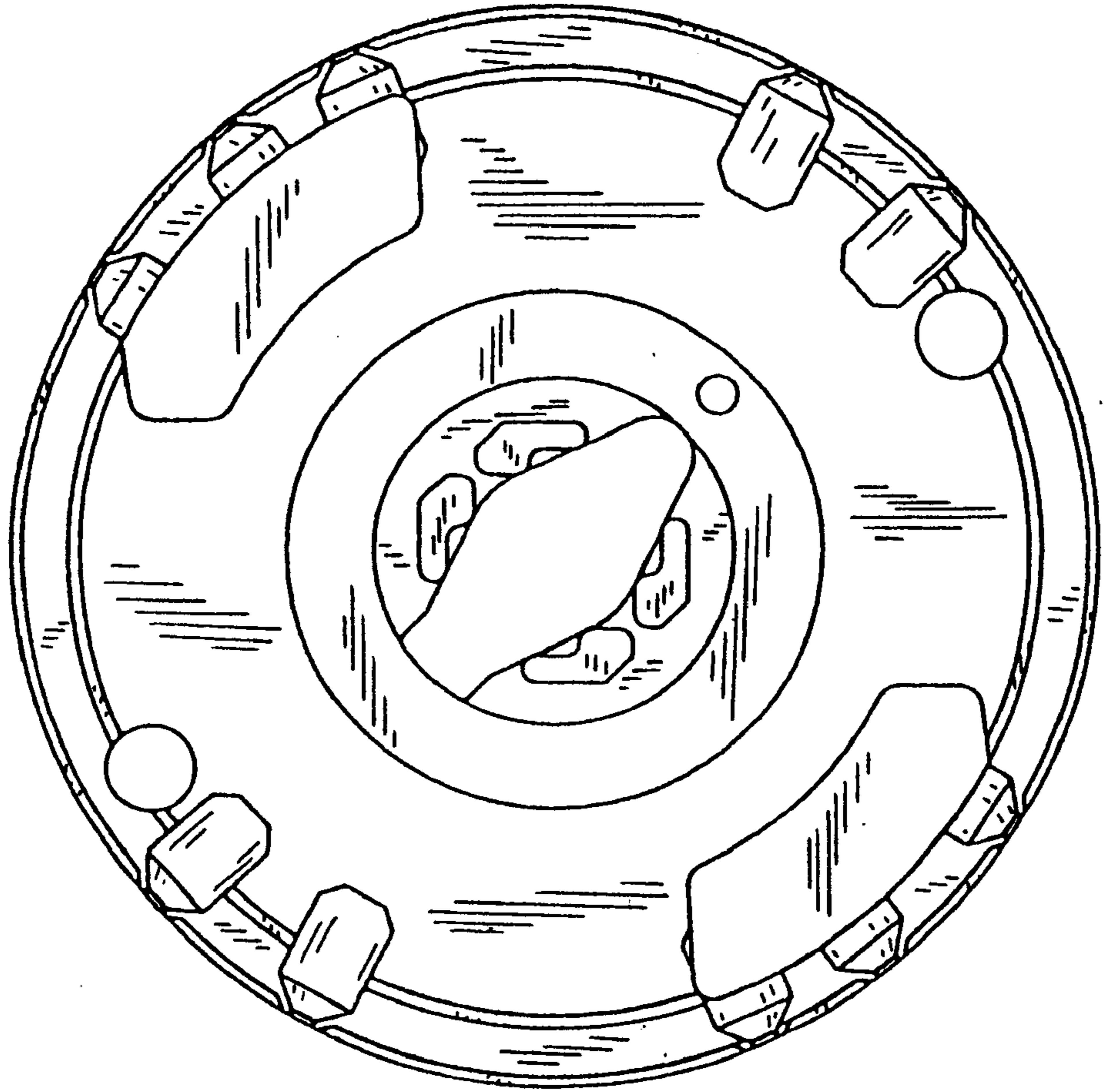


FIG. 6

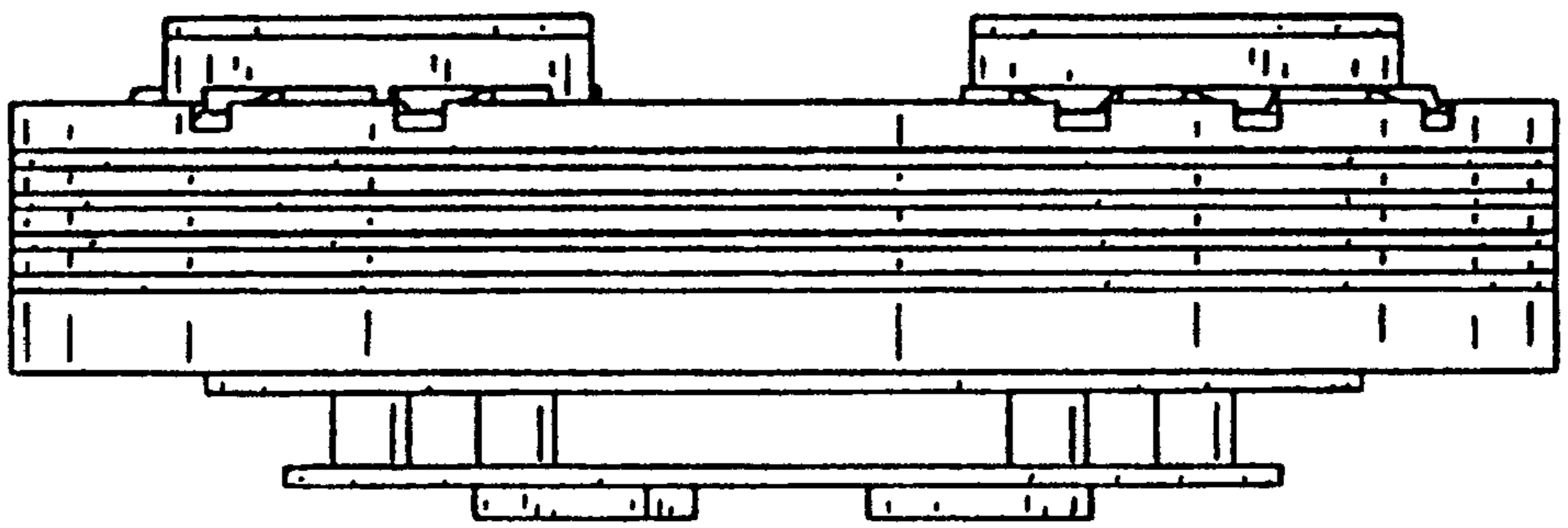


FIG. 8

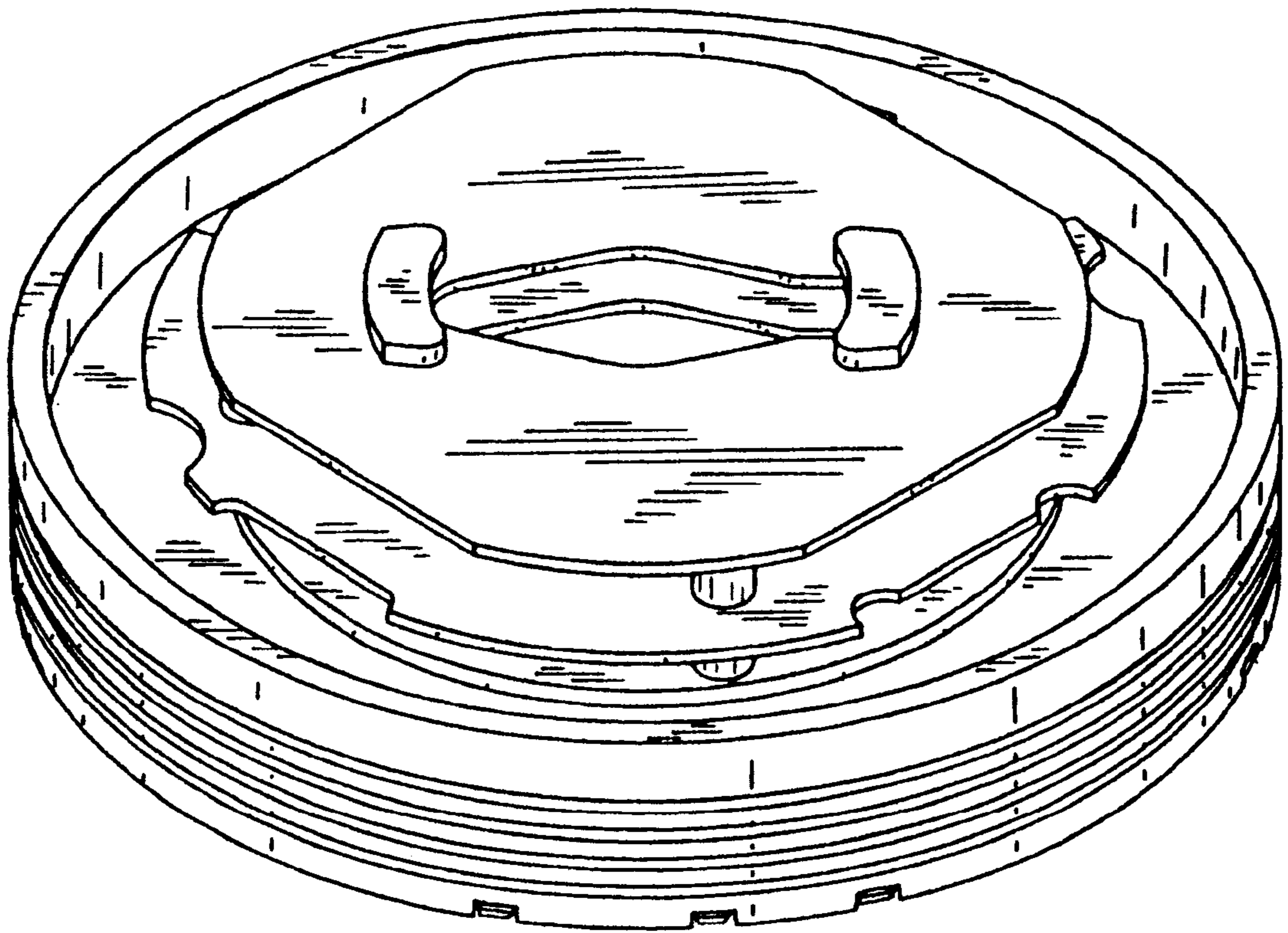


FIG. 9

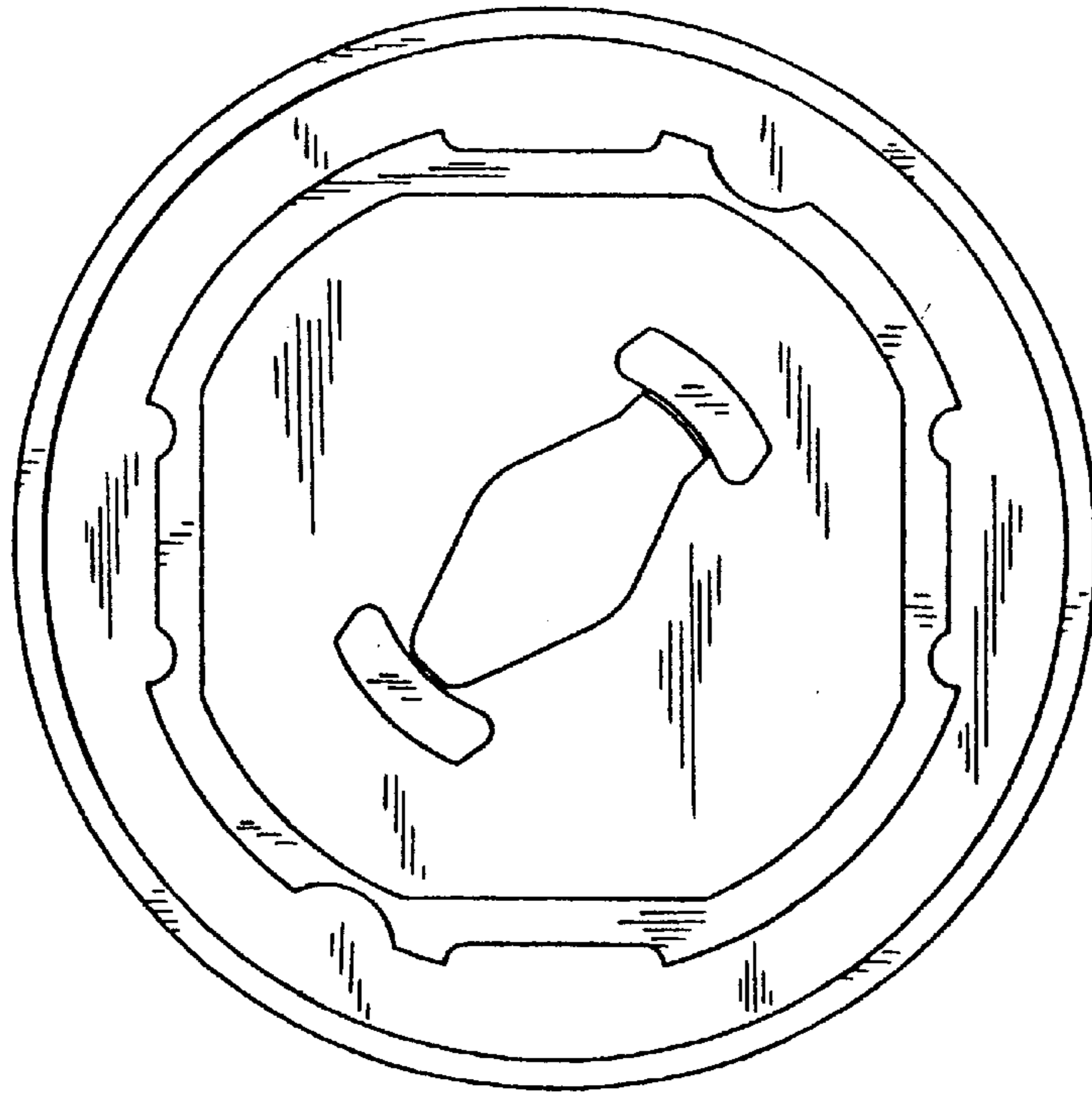


FIG. 10

