



US00D433406S

United States Patent [19]

Suzuki et al.

[11] Patent Number: Des. 433,406

[45] Date of Patent: ** Nov. 7, 2000

[54] DRUM FOR A VIDEO TAPE RECORDER

5,189,577 2/1993 Nishima et al. 360/107 X
5,343,348 8/1994 Nishima et al. 360/107 X
5,438,468 8/1995 Hasegawa et al. 360/107

[75] Inventors: Akira Suzuki; Syusuke Ozawa; Mikio Kita; Kenji Ohtsuka, all of Tokyo, Japan

Primary Examiner—Richelle Shelton
Attorney, Agent, or Firm—Rader, Fishman&Grauer

[73] Assignee: Sony Corporation, Japan

[57] CLAIM

[**] Term: 14 Years

The ornamental design for a drum for a video tape recorder, as shown and described.

[21] Appl. No.: 29/073,571

DESCRIPTION

[22] Filed: Jul. 11, 1997

[51] LOC (7) Cl. 14-03

[52] U.S. Cl. D14/239

[58] Field of Search D14/217, 239,
D14/260; 360/107, 130.24

FIG. 1 is a perspective view of a drum for a video tape recorder showing our new design;
FIG. 2 is a top plan view thereof;
FIG. 3 is a left side elevational view thereof;
FIG. 4 is a front elevational view thereof;
FIG. 5 is a bottom plan view thereof;
FIG. 6 is a right side elevational view thereof; and,
FIG. 7 is a rear elevational view thereof.

[56] References Cited

U.S. PATENT DOCUMENTS

5,047,882 9/1991 Kawai et al. 360/107
5,113,298 5/1992 Fukushima et al. 360/130.24 X

1 Claim, 5 Drawing Sheets

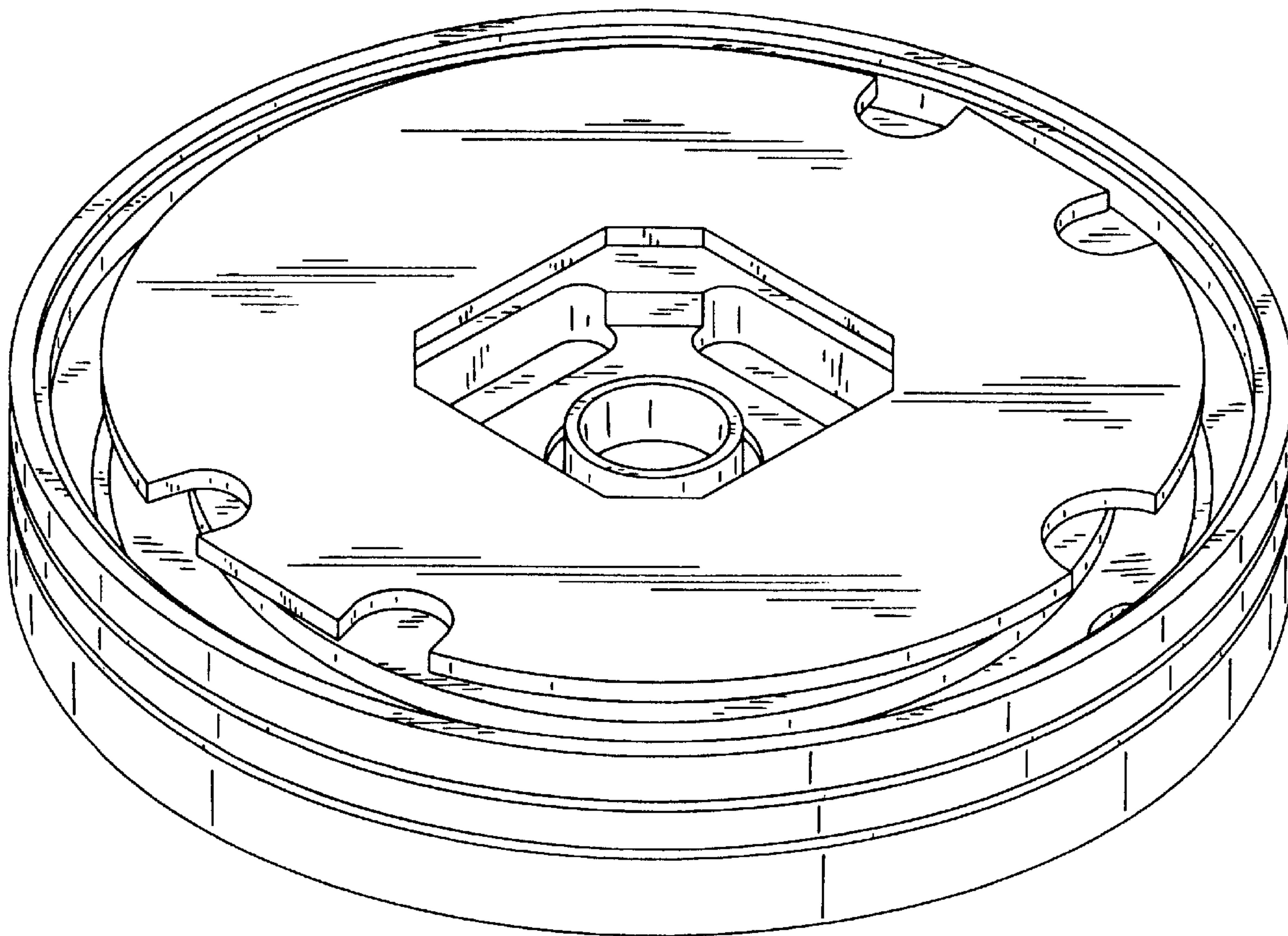


FIG. 1

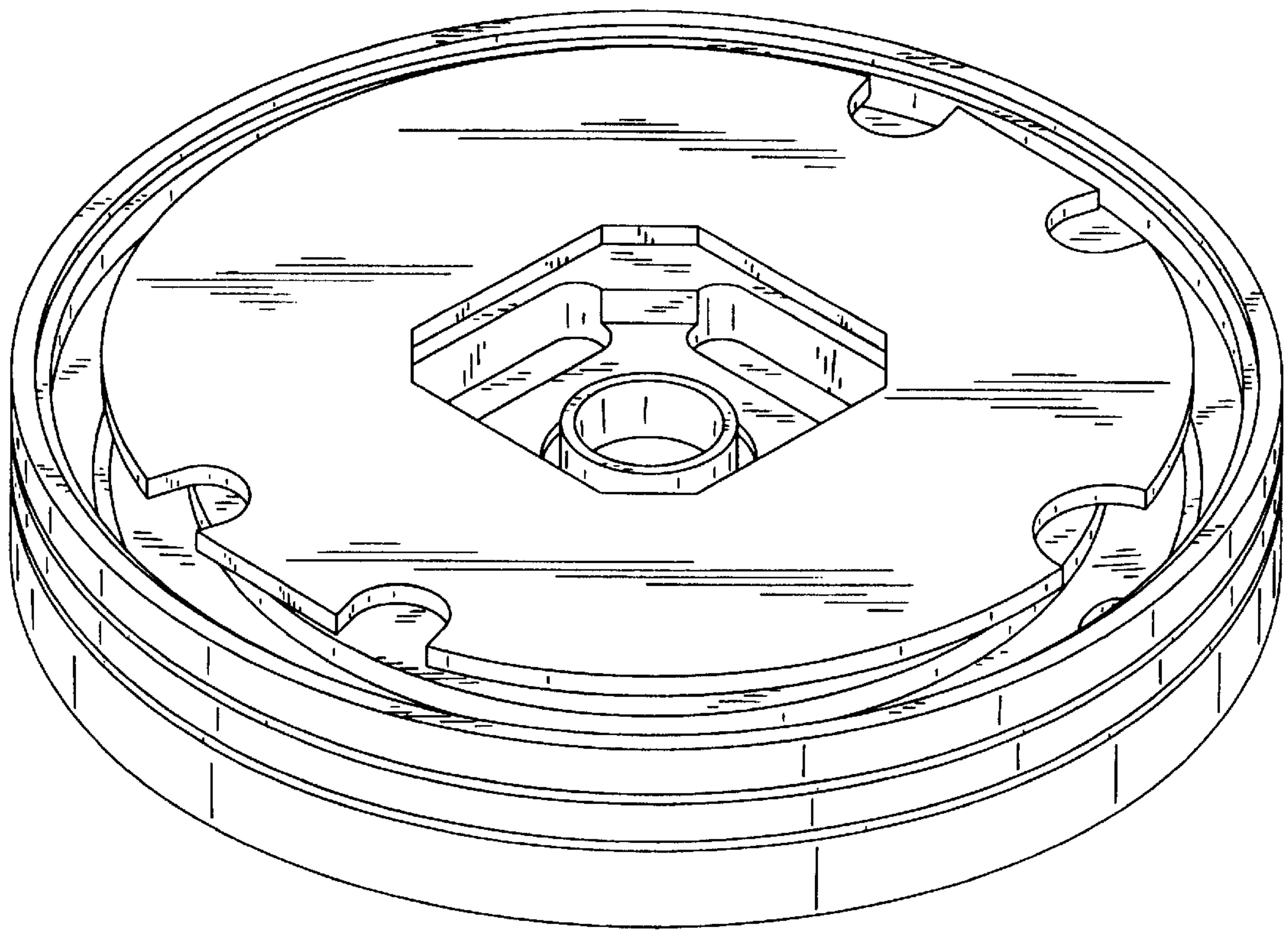


FIG. 2

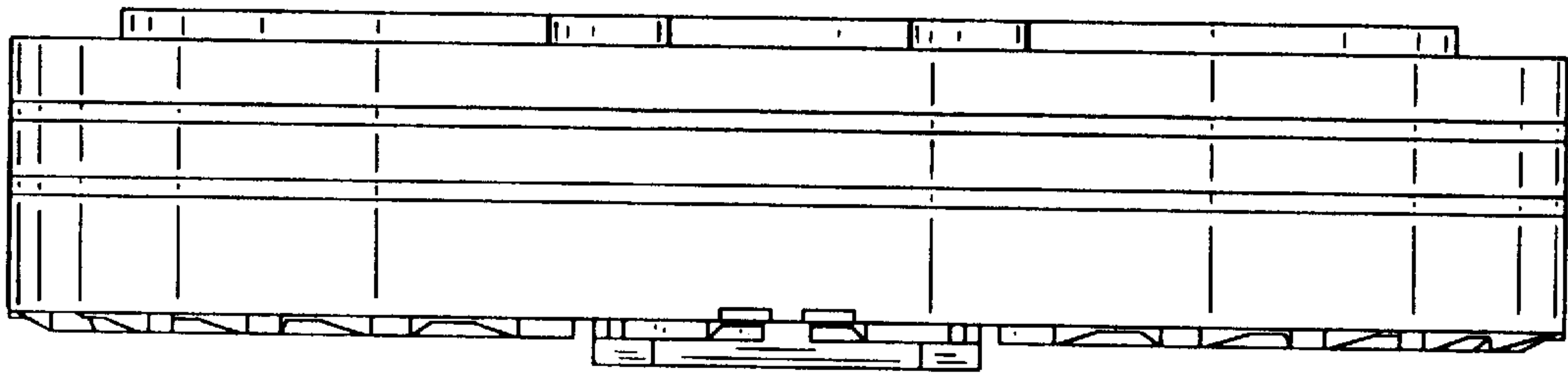


FIG. 3

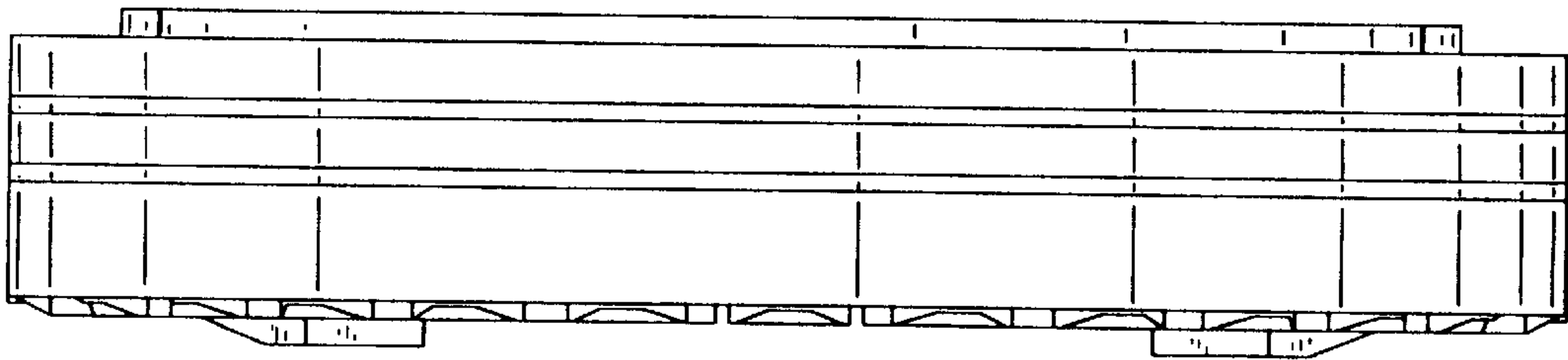


FIG. 4

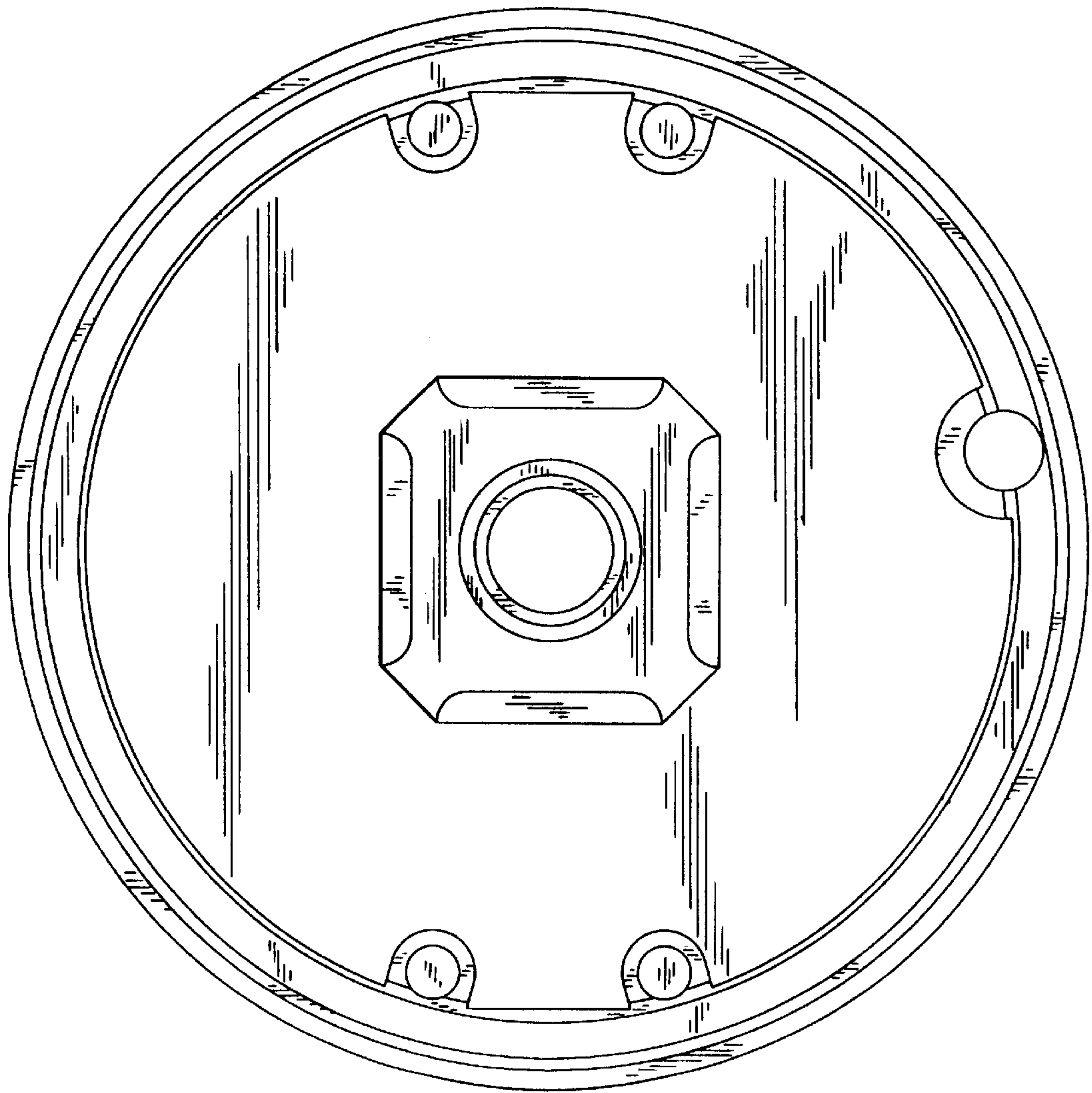


FIG. 5

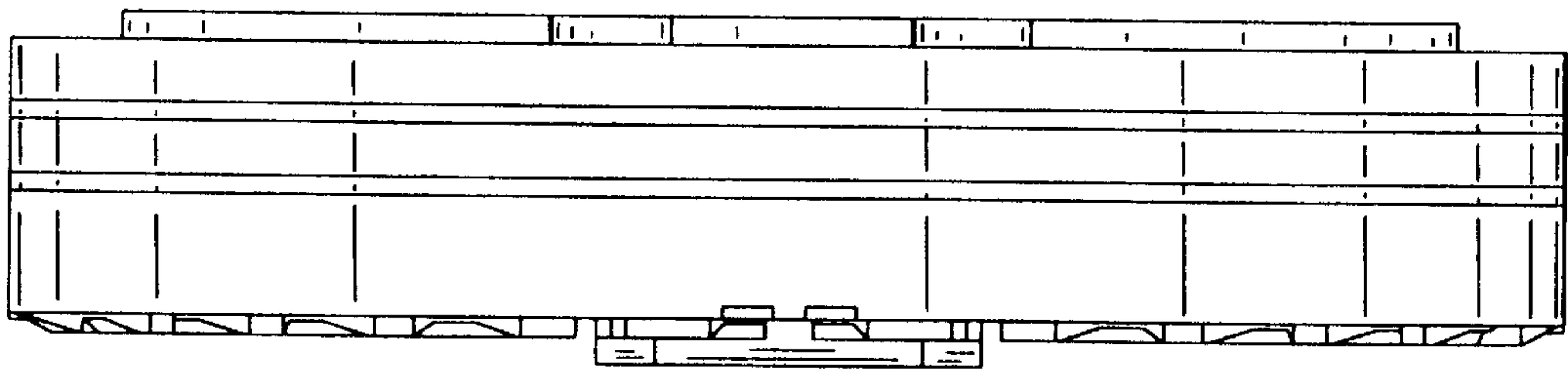


FIG. 6

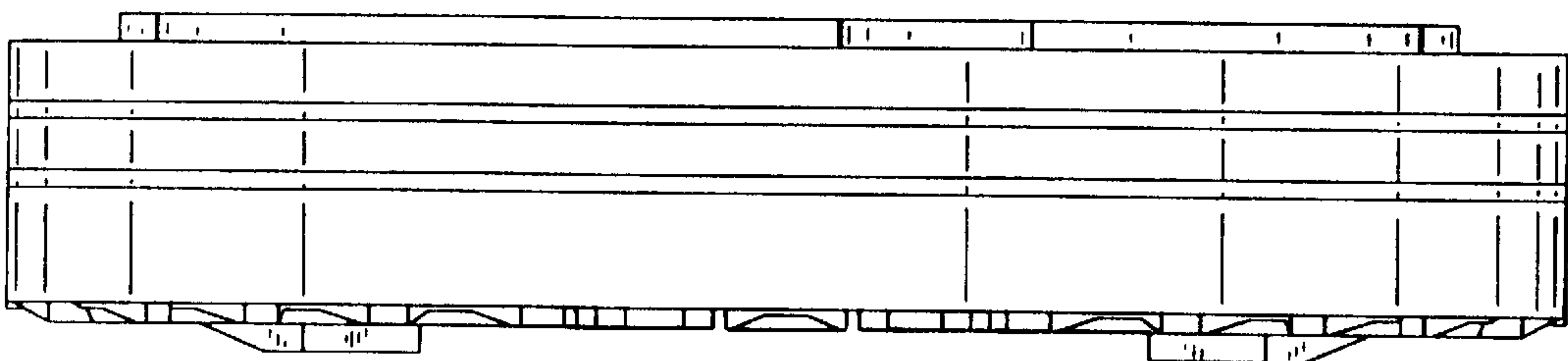


FIG. 7

