



US00D433405S

United States Patent [19] Vieira

[11] Patent Number: Des. 433,405

[45] Date of Patent: ** Nov. 7, 2000

[54] SPEAKER MOUNTING APPARATUS

DESCRIPTION

[76] Inventor: **Richard S. Vieira**, 15179 SW. Walker Rd., #D, Beaverton, Oreg. 97006

[**] Term: **14 Years**

[21] Appl. No.: **29/115,464**

[22] Filed: **Dec. 14, 1999**

[51] LOC (7) Cl. **14-01**

[52] U.S. Cl. **D14/224; D8/363**

[58] Field of Search D8/354, 363; D14/224, D14/229; 248/214, 215, 217.1, 220.21, 220.31, 220.41, 222.51, 222.52, 354.4, 922, 923

[56] References Cited

U.S. PATENT DOCUMENTS

D. 259,114	5/1981	Cyrell	D8/363 X
D. 267,526	1/1983	Figuered	D8/363 X
D. 268,494	4/1983	Cyrell	D14/224
4,382,416	5/1983	Kellogg-Smith	248/222.52
4,889,304	12/1989	Glickman et al.	D6/363 X
5,277,392	1/1994	Rossmann et al.	D8/363 X
5,372,346	12/1994	Upchurch et al.	248/222.52 X

Primary Examiner—Nanda Bondade
Attorney, Agent, or Firm—Olson and Olson

[57] CLAIM

The ornamental design for a speaker mounting apparatus, as shown and described.

FIG. 1 is a perspective view of a first embodiment of a speaker mounting apparatus showing my new design; the broken line showing of the speaker is for illustrative purposes only and forms no part of the claimed design.

FIG. 2 is a side elevation of the mounting apparatus of FIG. 1, the opposite side being a mirror image thereof.

FIG. 3 is a plan view of the mounting apparatus as viewed from the top in FIG. 2.

FIG. 4 is a bottom plan view of the mounting apparatus as viewed from the bottom in FIG. 2.

FIG. 5 is a vertical elevation of the mounting apparatus as viewed from the right in FIG. 2.

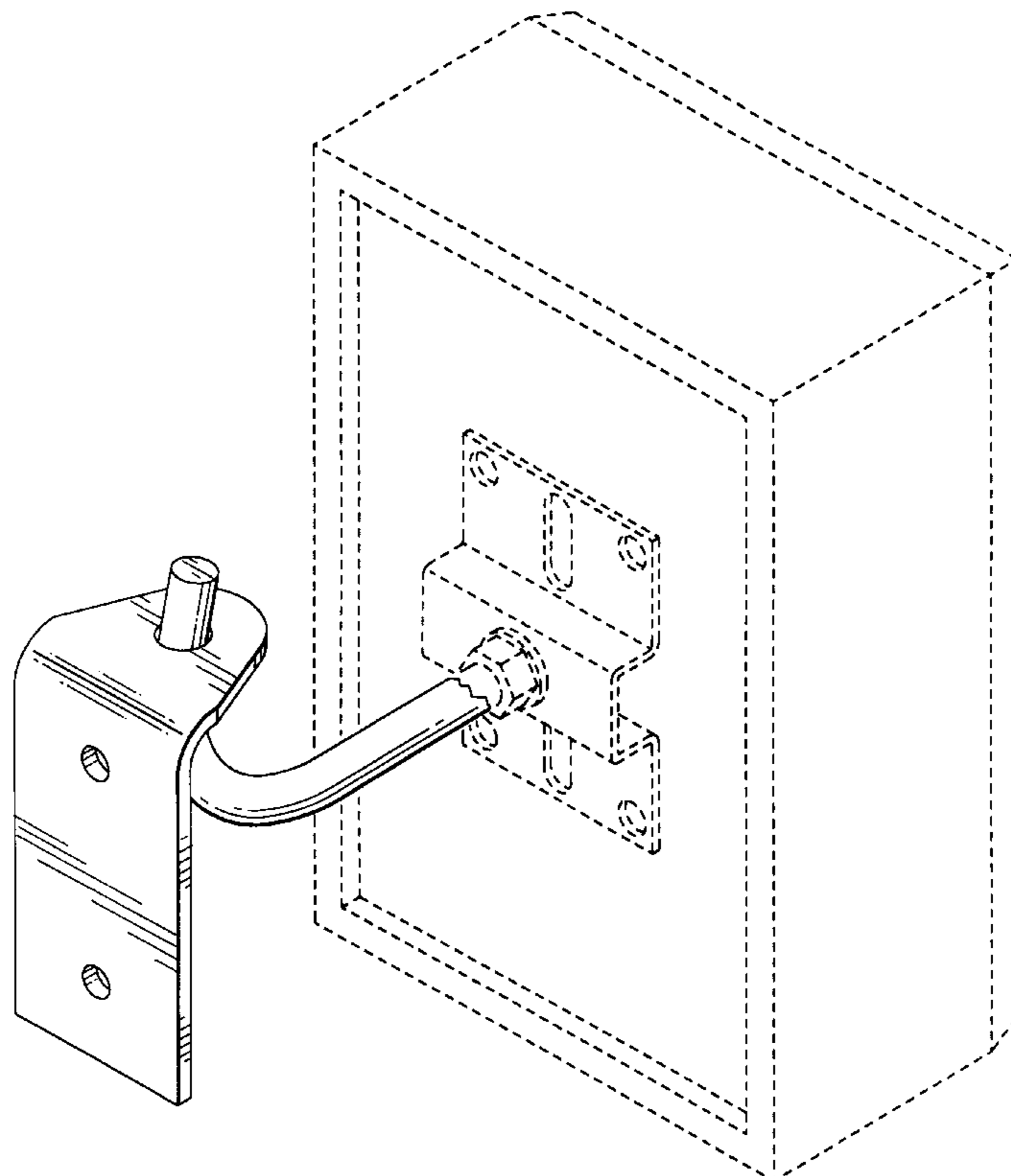
FIG. 6 is a vertical elevation of the mounting apparatus as viewed from the left in FIG. 2.

FIG. 7 is a vertical elevation of a second embodiment of the speaker mounting apparatus, the mounting apparatus utilizing the same, identical parts shown in FIGS. 1–6 but with the rod member in inverted condition on the mount member.

FIG. 8 is a vertical elevation of a third embodiment of the speaker mounting apparatus, the mounting apparatus having the same, identical parts as in FIGS. 1–7 but the members shown in yet another interengaging orientation relative to each other; and,

FIG. 9 is a vertical elevation of a fourth embodiment of the speaker mounting apparatus, the mounting apparatus having the same, identical parts as FIGS. 1–8 but showing the members in yet another interengaging relation relative to each other.

1 Claim, 3 Drawing Sheets



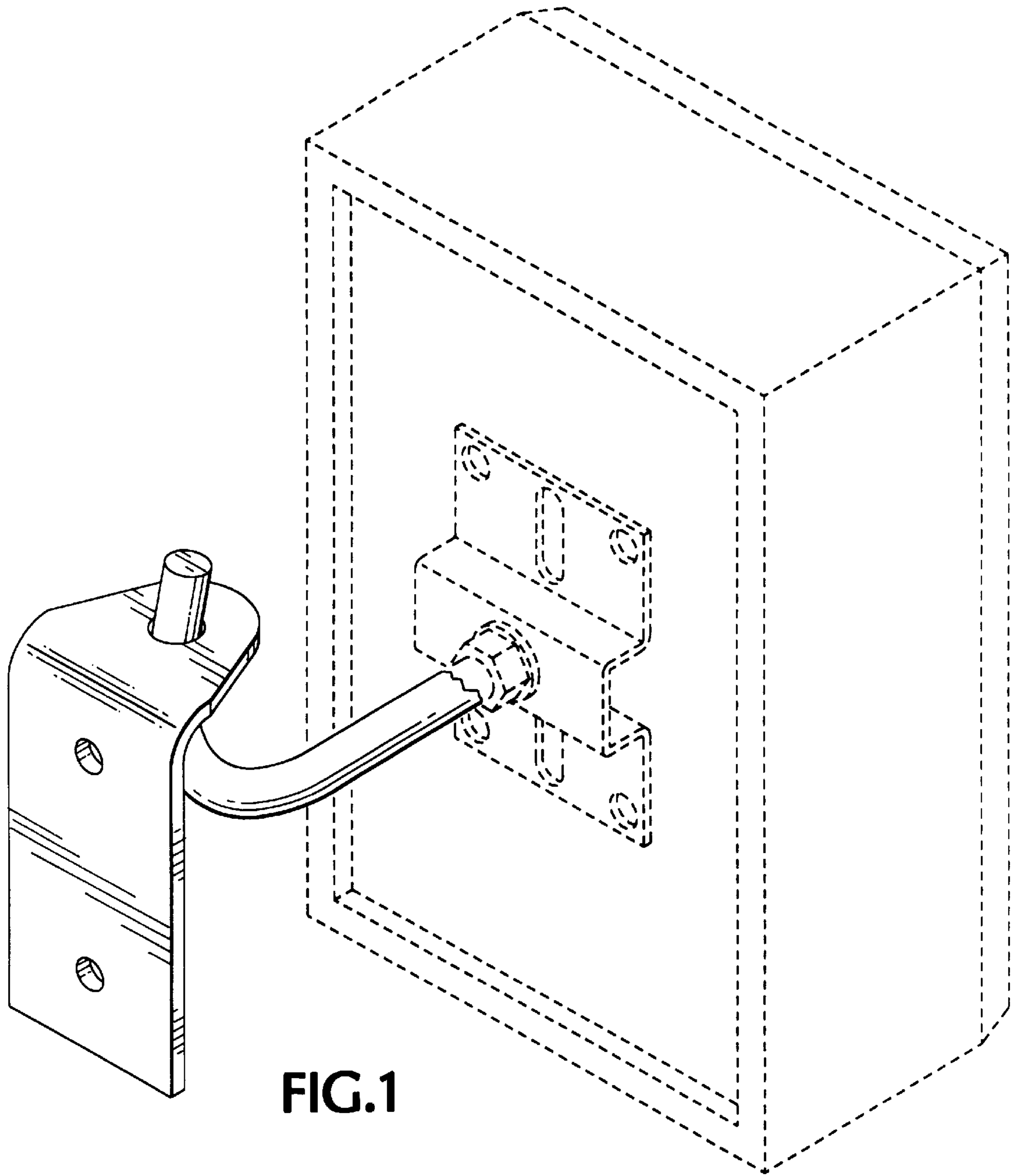


FIG. 1

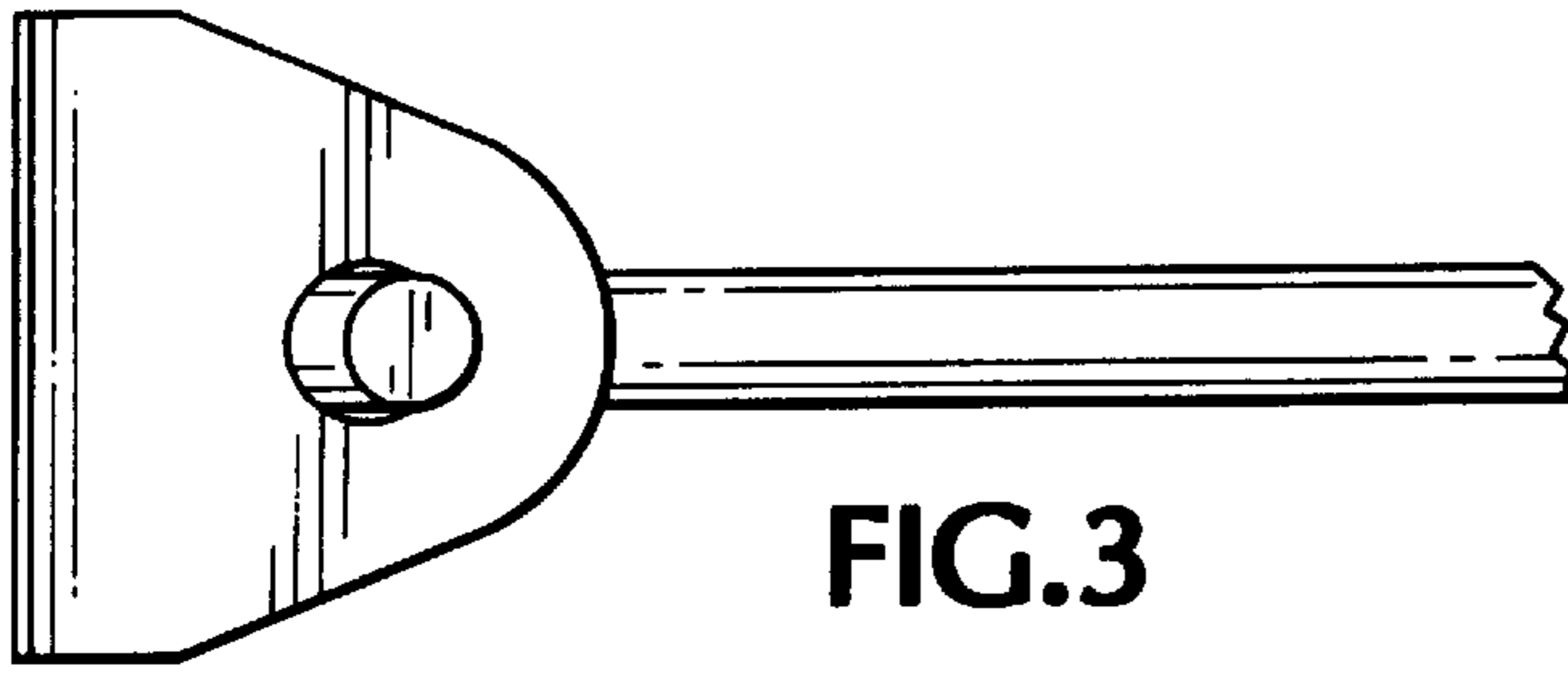


FIG. 3

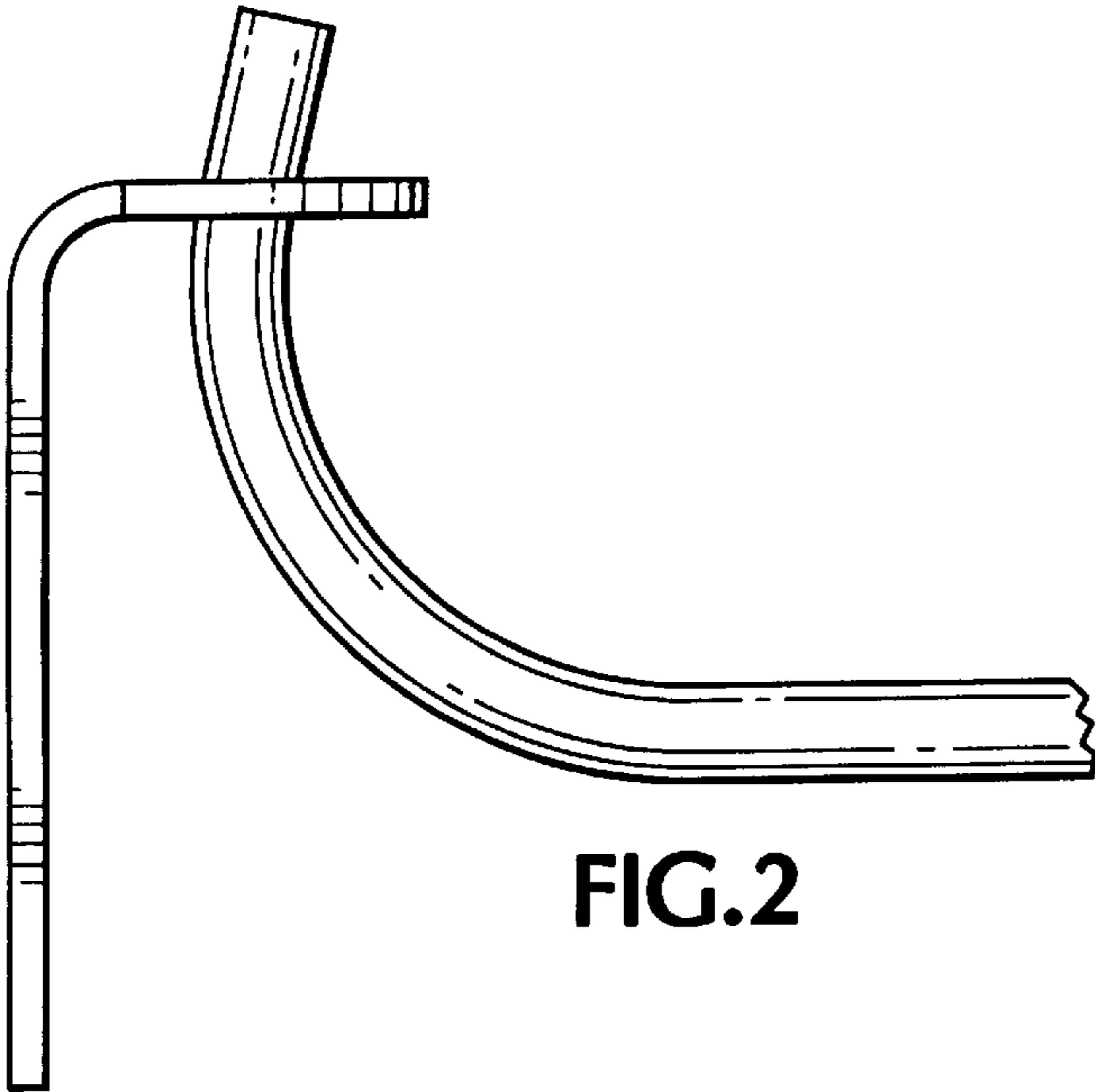


FIG. 2

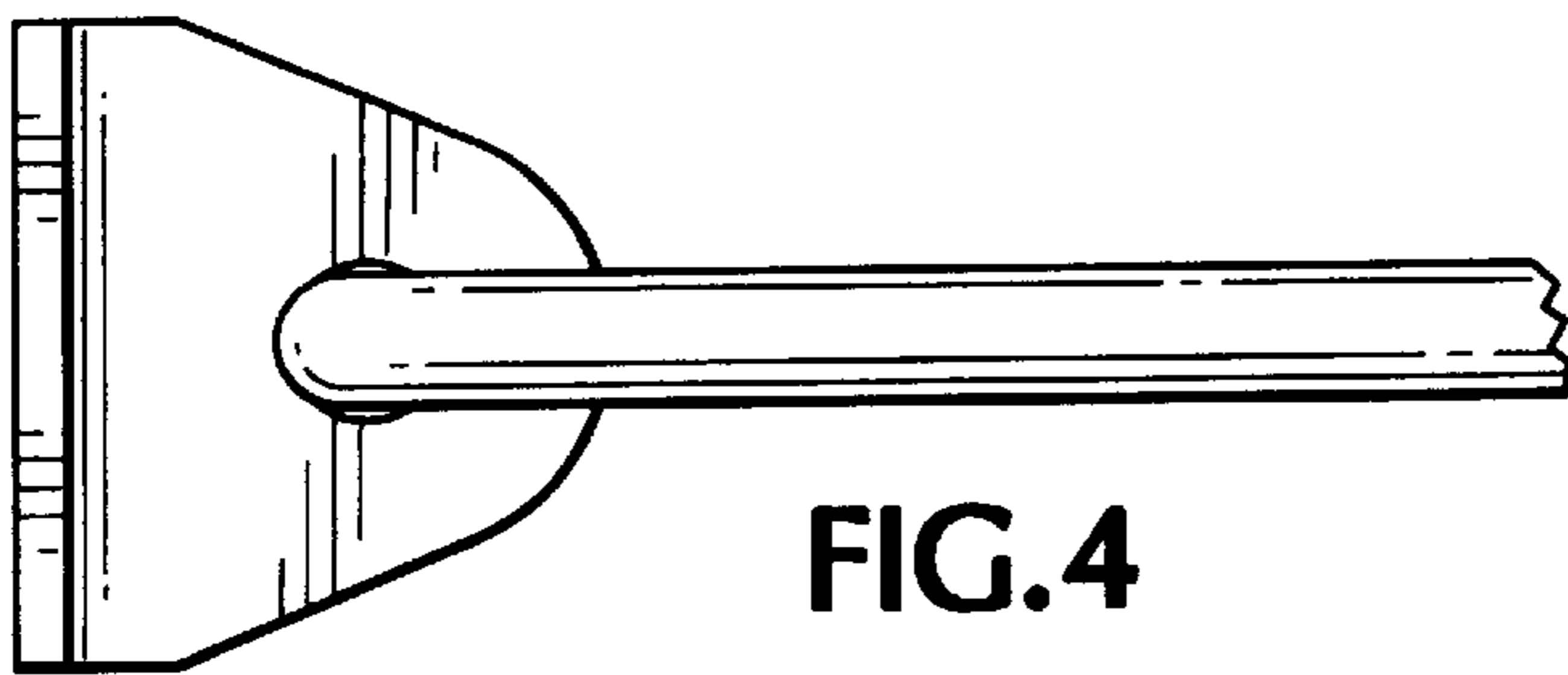


FIG. 4

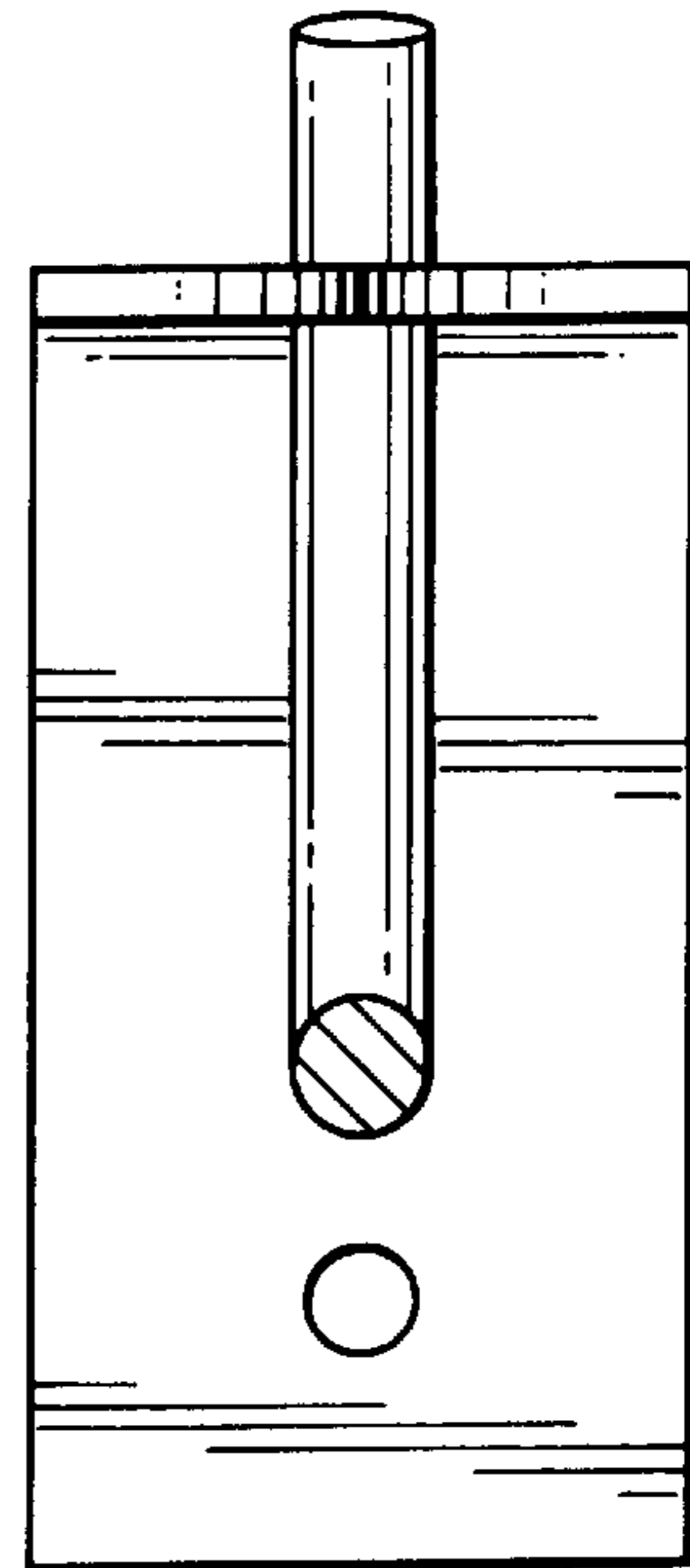


FIG. 5

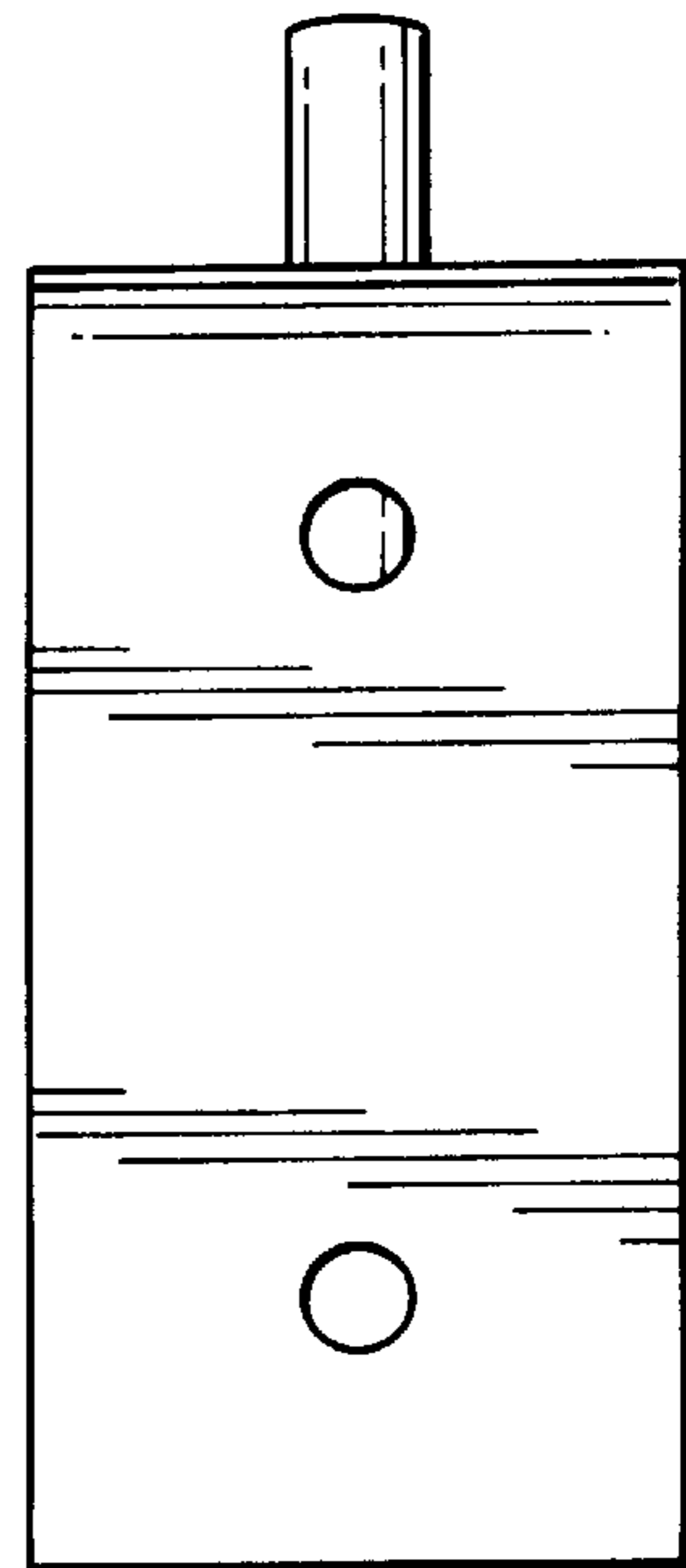


FIG. 6

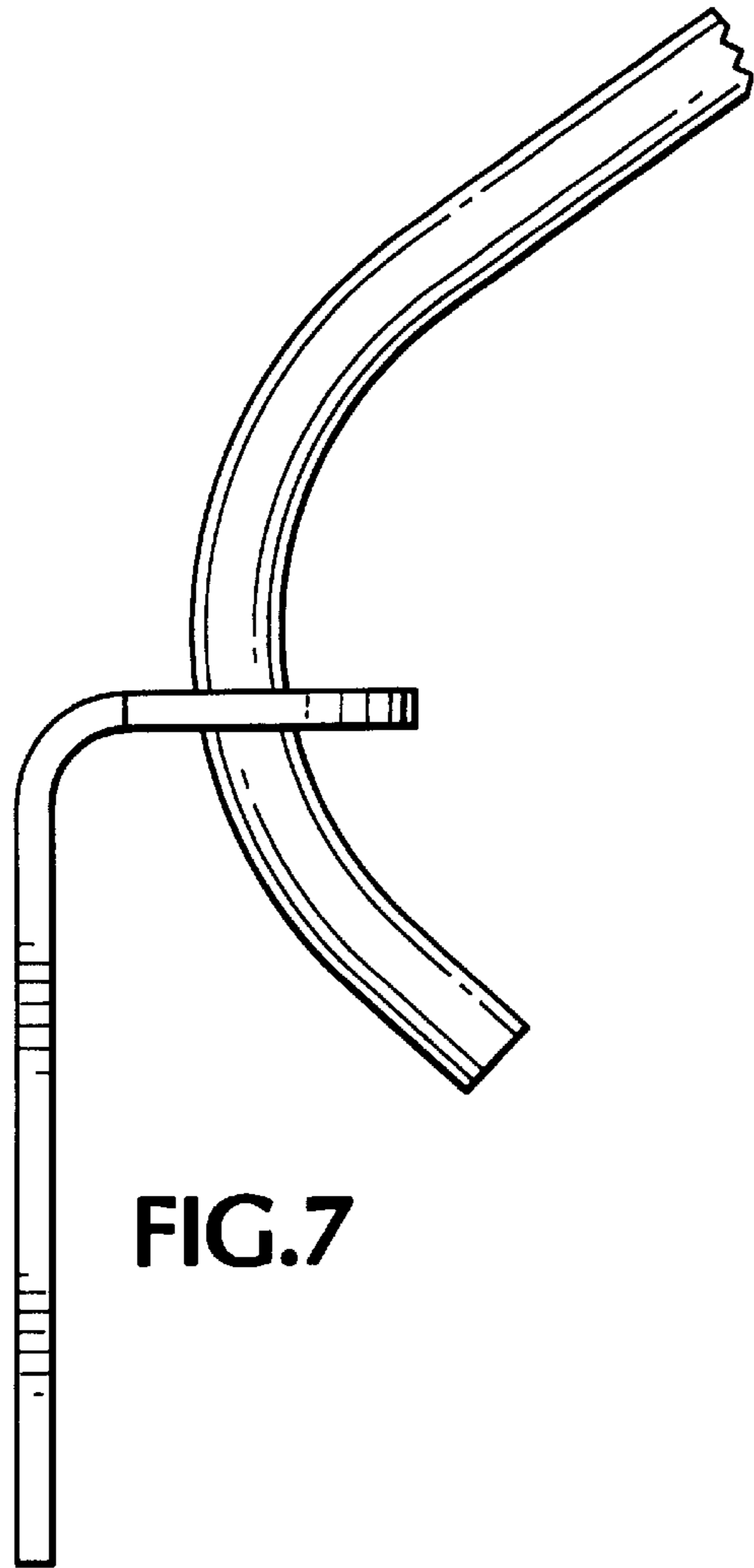


FIG. 7

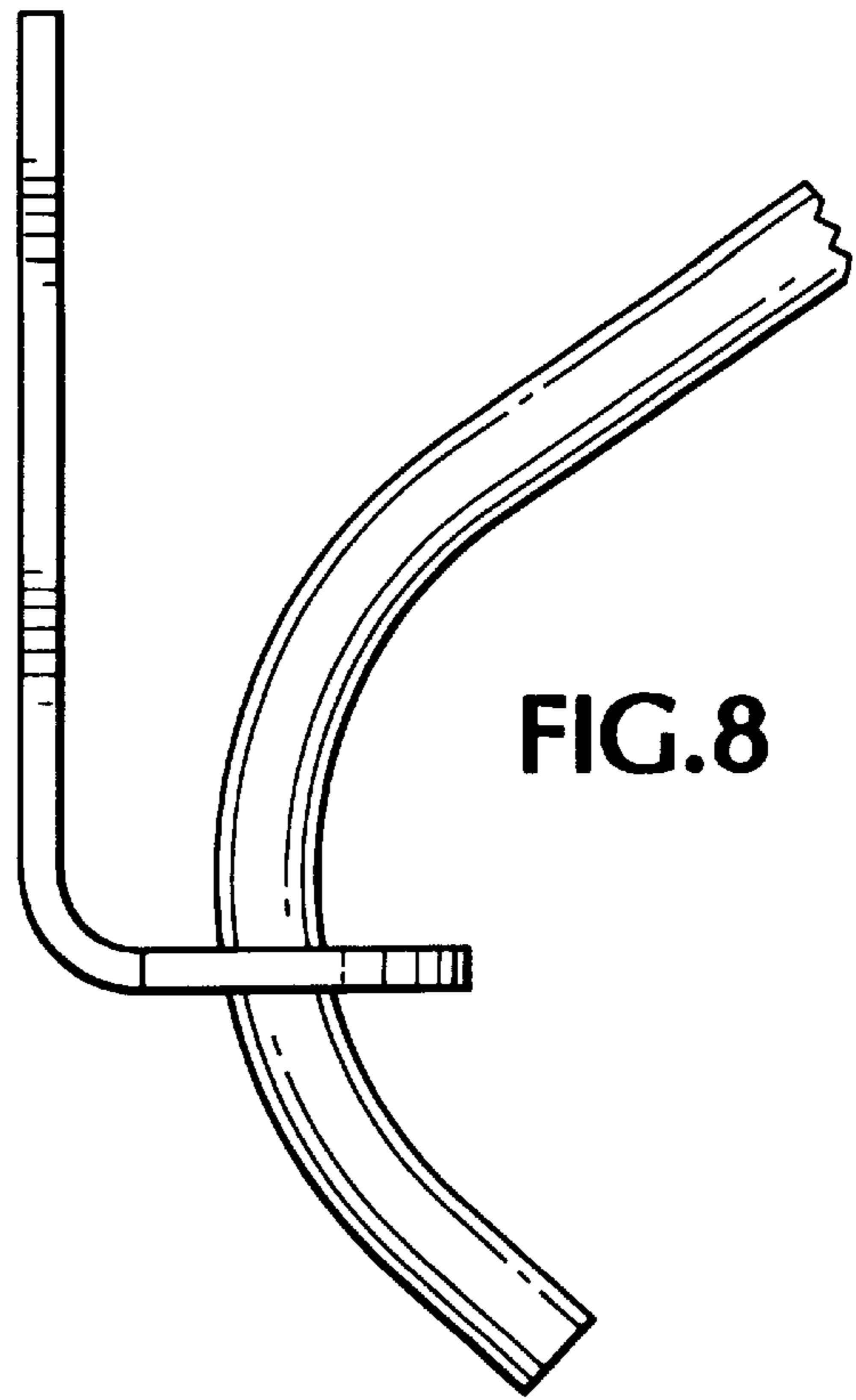


FIG. 8

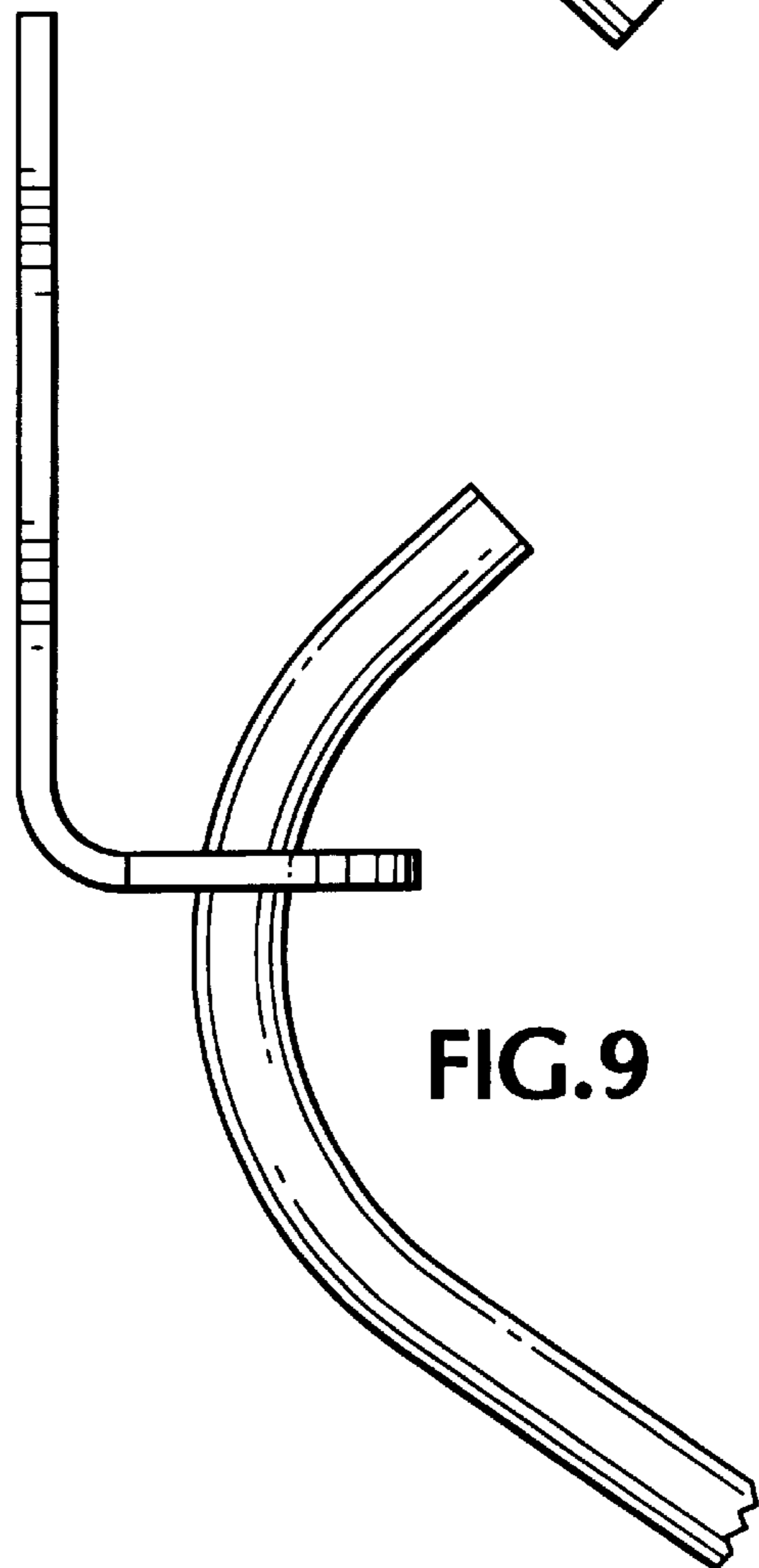


FIG. 9