



US00D433401S

United States Patent [19] Chan

[11] Patent Number: **Des. 433,401**

[45] Date of Patent: **** Nov. 7, 2000**

[54] **TORCH RADIO**

[75] Inventor: **Yin Chau Chan**, N.T., The Hong Kong Special Administrative Region of the People's Republic of China

[73] Assignee: **Gonica Electronic Co., Ltd.**, Fotan, The Hong Kong Special Administrative Region of the People's Republic of China

[**] Term: **14 Years**

[21] Appl. No.: **29/115,143**

[22] Filed: **Dec. 9, 1999**

[51] **LOC (7) Cl.** **14-01**

[52] **U.S. Cl.** **D14/168; D26/38**

[58] **Field of Search** D14/168, 188, D14/193-198; D26/38, 48-50; 362/157, 158, 183-208; 455/344, 347, 350, 351

[56] **References Cited**

U.S. PATENT DOCUMENTS

D. 137,394 2/1944 Nicoud D26/45

- D. 323,403 1/1992 Sinrod D26/38
- D. 332,319 1/1993 Yuen D26/38
- D. 381,100 7/1997 Fink D26/38
- D. 385,277 10/1997 Li D14/168

Primary Examiner—Nanda Bondade
Attorney, Agent, or Firm—Rabin & Champagne, P.C.

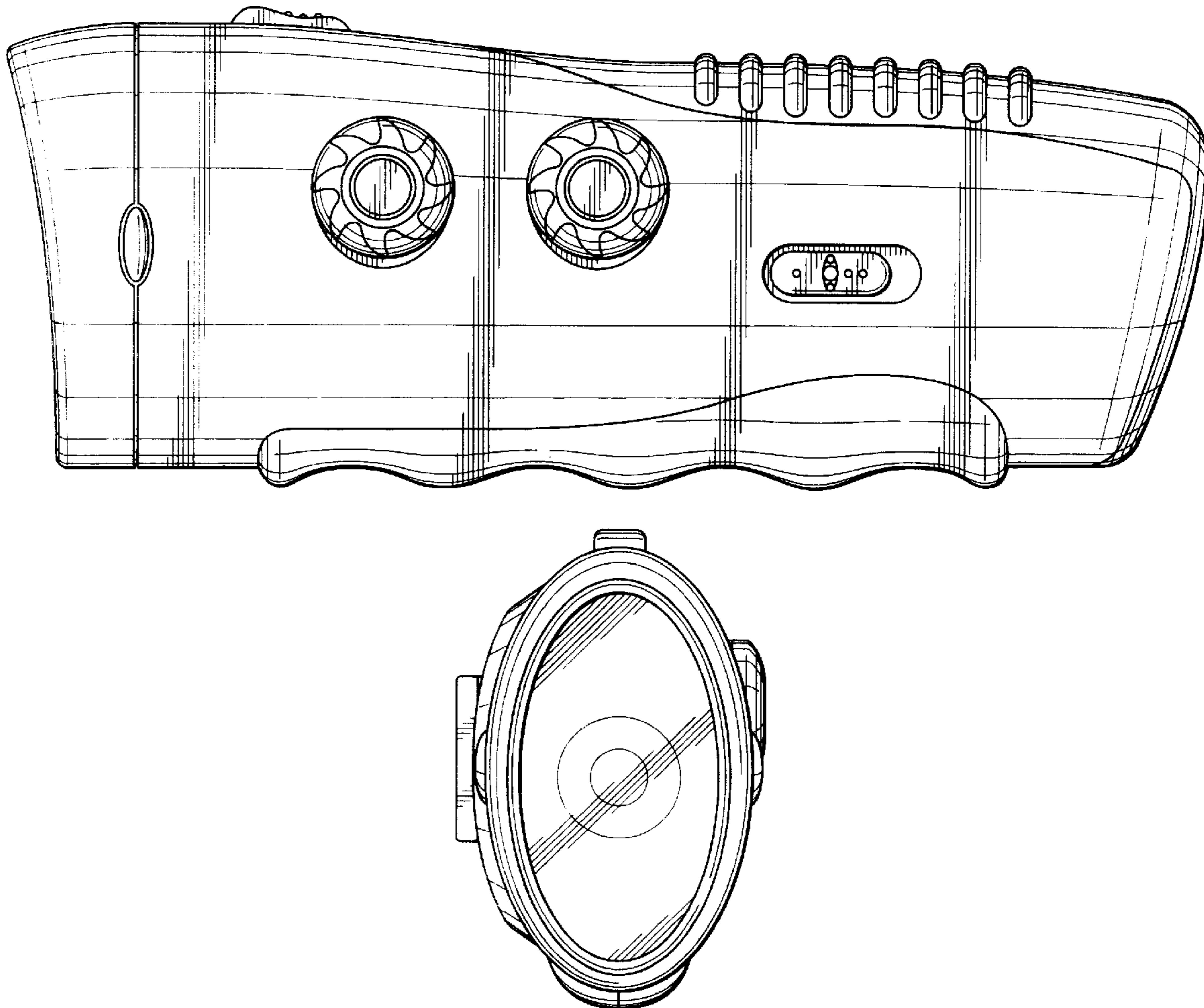
[57] **CLAIM**

The ornamental design for a torch radio, as shown and described.

DESCRIPTION

- FIG. 1 is a front view of a torch radio showing my new design;
- FIG. 2 is a rear view thereof;
- FIG. 3 is a top view thereof;
- FIG. 4 is a bottom view thereof;
- FIG. 5 is a left side view thereof; and,
- FIG. 6 is a right side view thereof.

1 Claim, 3 Drawing Sheets



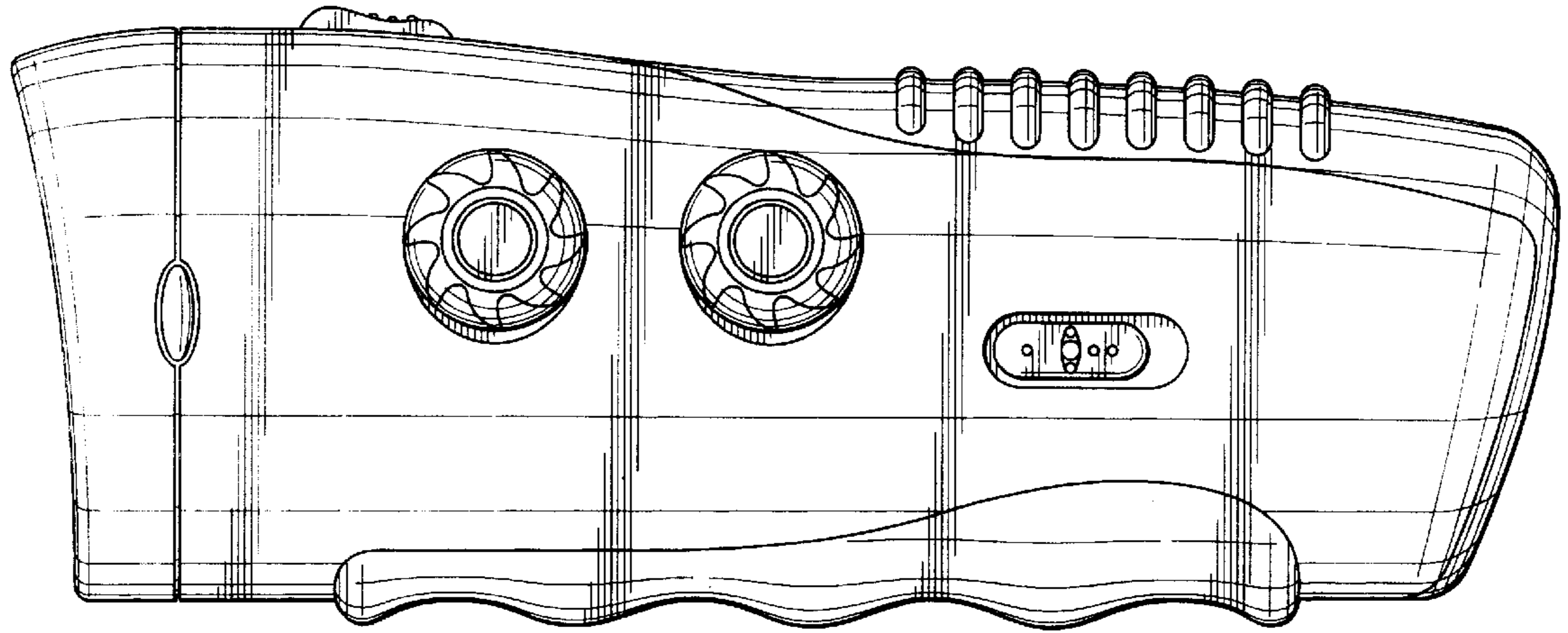


FIG. 1

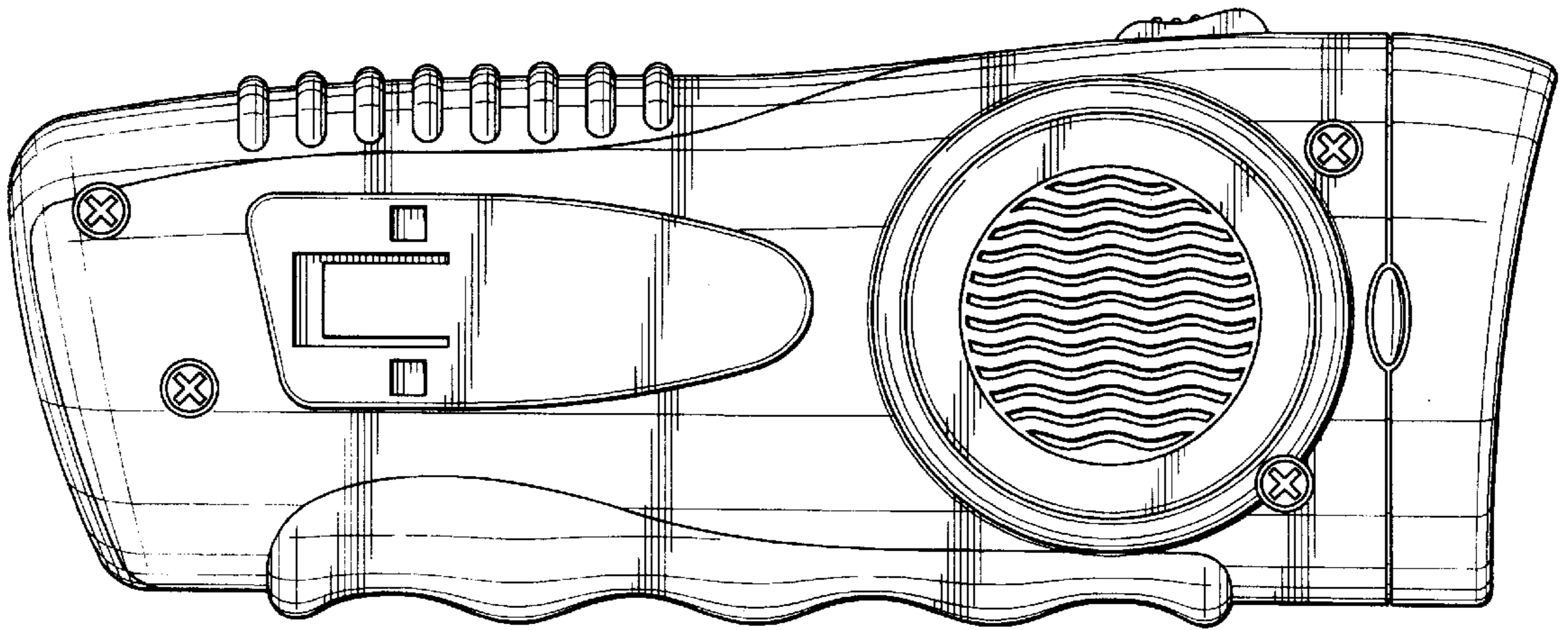


FIG. 2

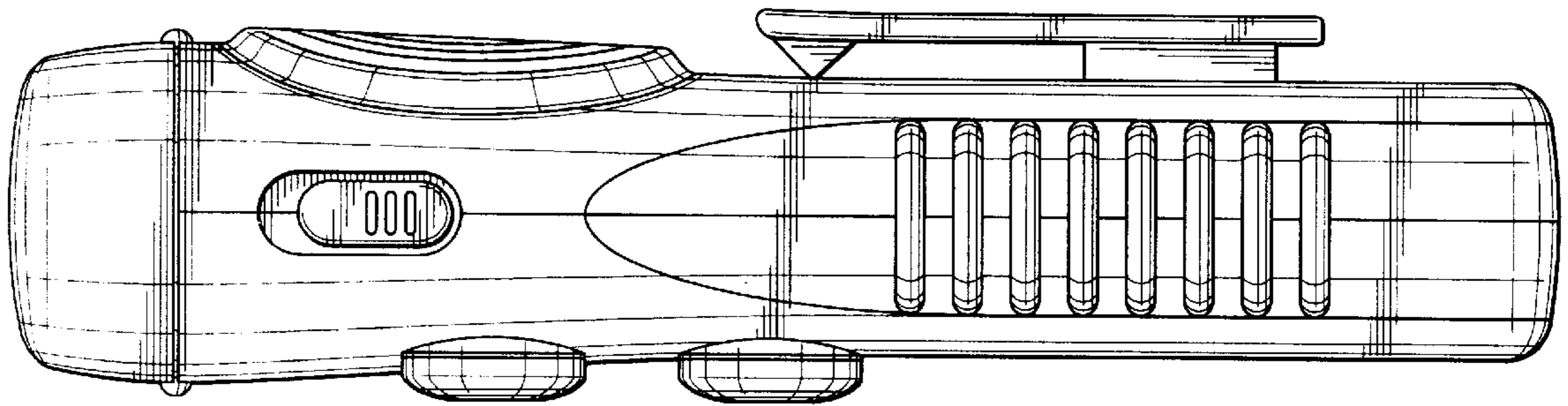


FIG. 3

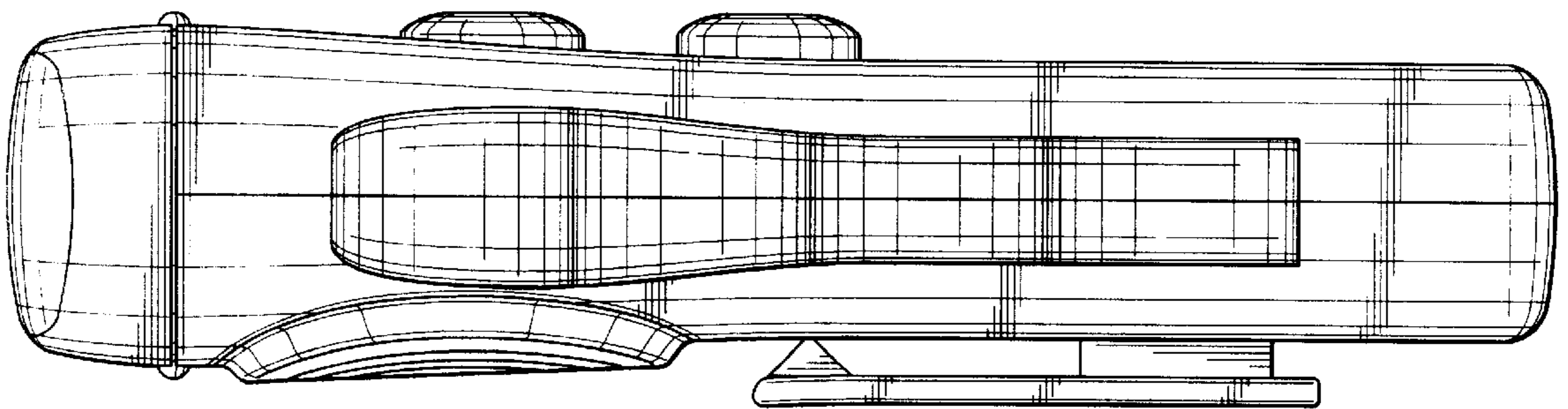


FIG. 4

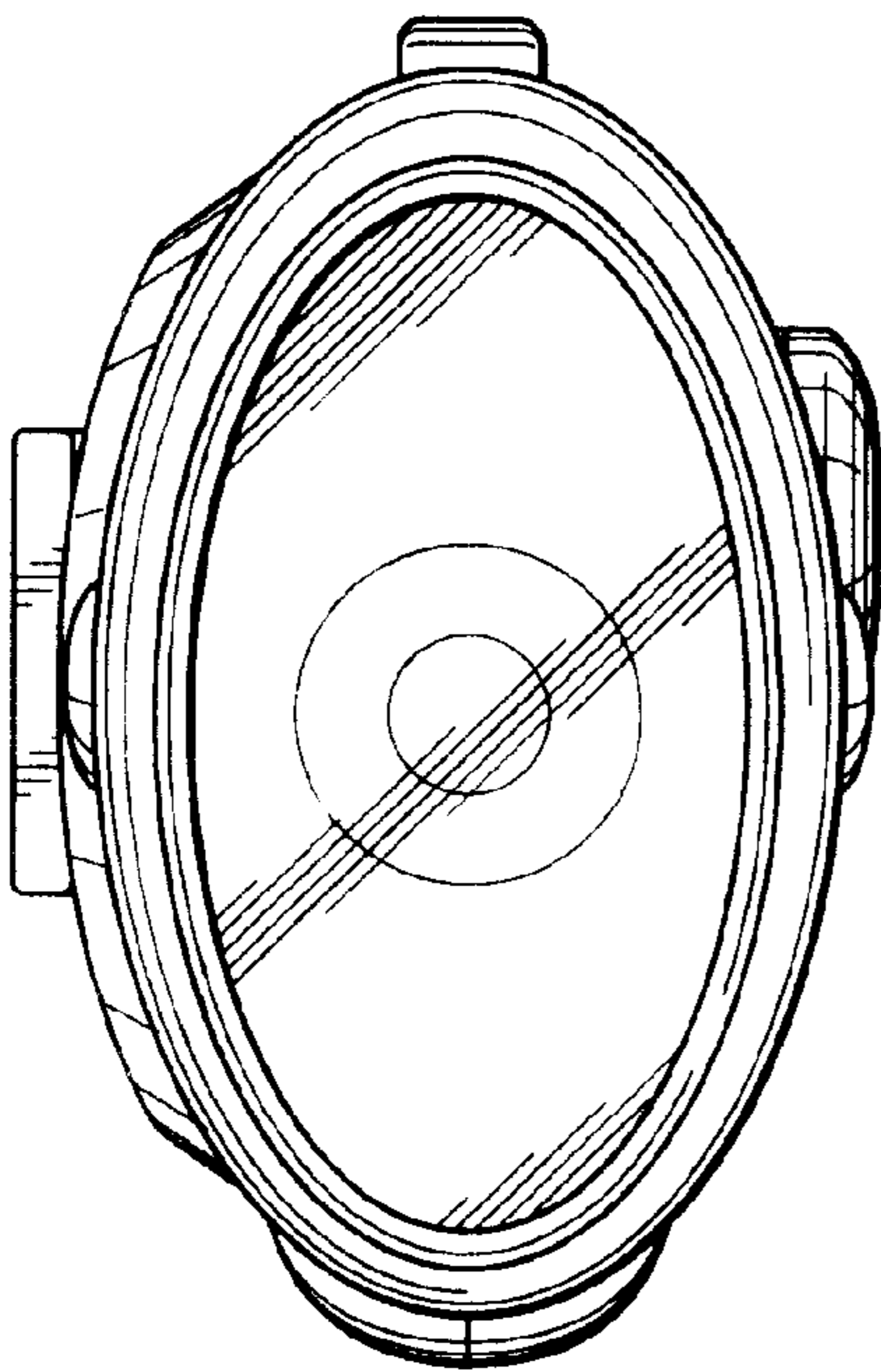


FIG. 5

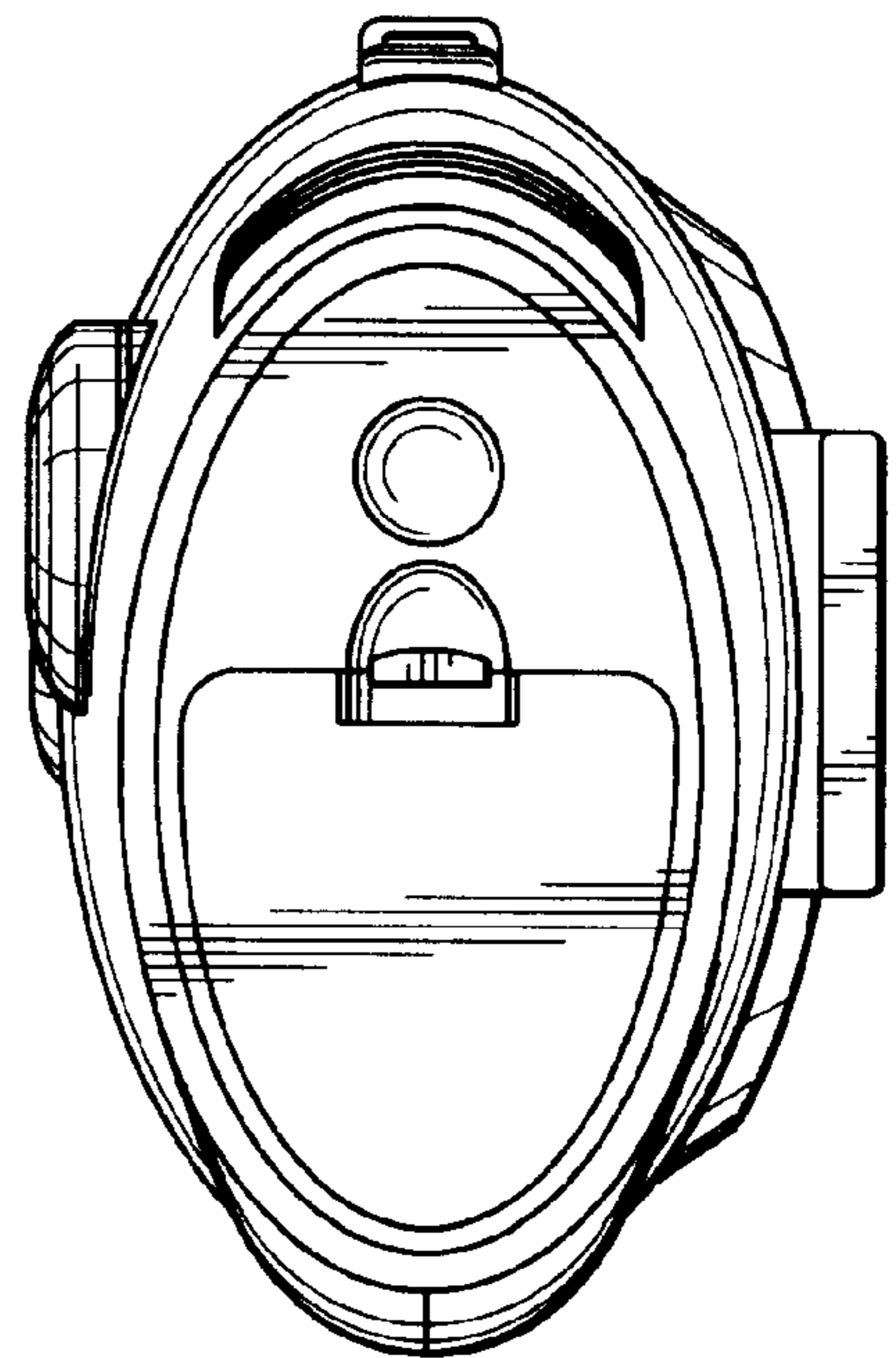


FIG. 6