



US00D433396S

United States Patent [19] Wong

[11] **Patent Number: Des. 433,396**

[45] **Date of Patent: ** Nov. 7, 2000**

[54] **WALKIE TALKIE**

[75] Inventor: **Joel Chok Wai Wong**, North Point,
The Hong Kong Special Administrative
Region of the People's Republic of
China

[73] Assignee: **Victory Concept Industries Ltd.**,
Kowloon, The Hong Kong Special
Administrative Region of the People's
Republic of China

[**] Term: **14 Years**

[21] Appl. No.: **29/119,727**

[22] Filed: **Mar. 7, 2000**

[51] **LOC (7) Cl. 14-03**

[52] **U.S. Cl. D14/137**

[58] **Field of Search** D14/137, 138,
D14/147-148, 247-248, 250, 240, 140-142;
379/433.434, 419, 420, 428, 440; 455/550-575,
90, 347-349

[56] **References Cited**

U.S. PATENT DOCUMENTS

D. 340,927	11/1993	Goatman	D14/137
D. 370,011	5/1996	Lindeman	D14/137
D. 377,458	1/1997	Tsui	D10/104
D. 377,792	2/1997	Lindeman	D14/148
D. 379,009	4/1997	Osiecki	D14/167
D. 387,758	12/1997	Oross et al.	D14/137
D. 389,827	1/1998	Oross et al.	D14/137
D. 393,832	4/1998	Chen	D13/168
D. 393,857	4/1998	Park	D14/138
D. 395,433	6/1998	Kee	D14/192
D. 395,882	7/1998	Oross et al.	D14/137
D. 408,396	4/1999	Tyneski et al.	D14/137

D. 409,188	5/1999	Fukunaga	D14/147
D. 409,997	5/1999	Heuel	D14/137
D. 412,501	8/1999	Tyneski et al.	D14/137
D. 416,252	11/1999	Haase et al.	D14/137
D. 416,893	11/1999	Tyneski et al.	D14/137
D. 419,154	1/2000	Page et al.	D14/137
D. 421,003	2/2000	Bynum et al.	D14/138
D. 424,060	5/2000	Baker et al.	D14/218

Primary Examiner—Jeffrey Asch
Attorney, Agent, or Firm—Rabin & Champagne, P.C.

[57] **CLAIM**

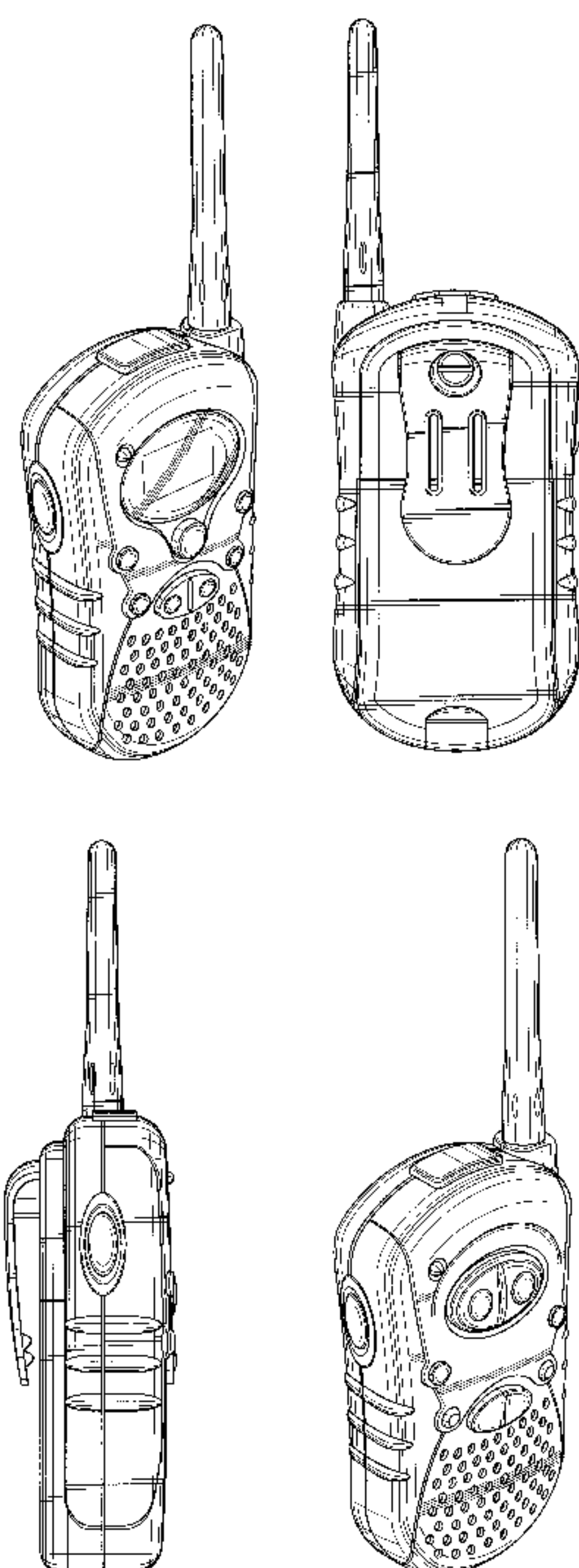
The ornamental design for a walkie talkie, as shown and described.

DESCRIPTION

FIG. 1 is a perspective view of a walkie talkie showing my new design;
 FIG. 2 is a front view thereof;
 FIG. 3 is a left side view thereof;
 FIG. 4 is a right side view thereof;
 FIG. 5 is a rear view thereof;
 FIG. 6 is a top view thereof;
 FIG. 7 is a bottom view thereof;
 FIG. 8 is a perspective view of a second embodiment of my new design;
 FIG. 9 is a front view thereof;
 FIG. 10 is a left side view thereof;
 FIG. 11 is a right side view thereof;
 FIG. 12 is a rear view thereof;
 FIG. 13 is a top view thereof; and,
 FIG. 14 is a bottom view thereof.

This application includes two embodiments. FIGS. 1-7 show all views of the first embodiment of the design, and FIGS. 9-14 show all views of the second embodiment of the design.

1 Claim, 8 Drawing Sheets



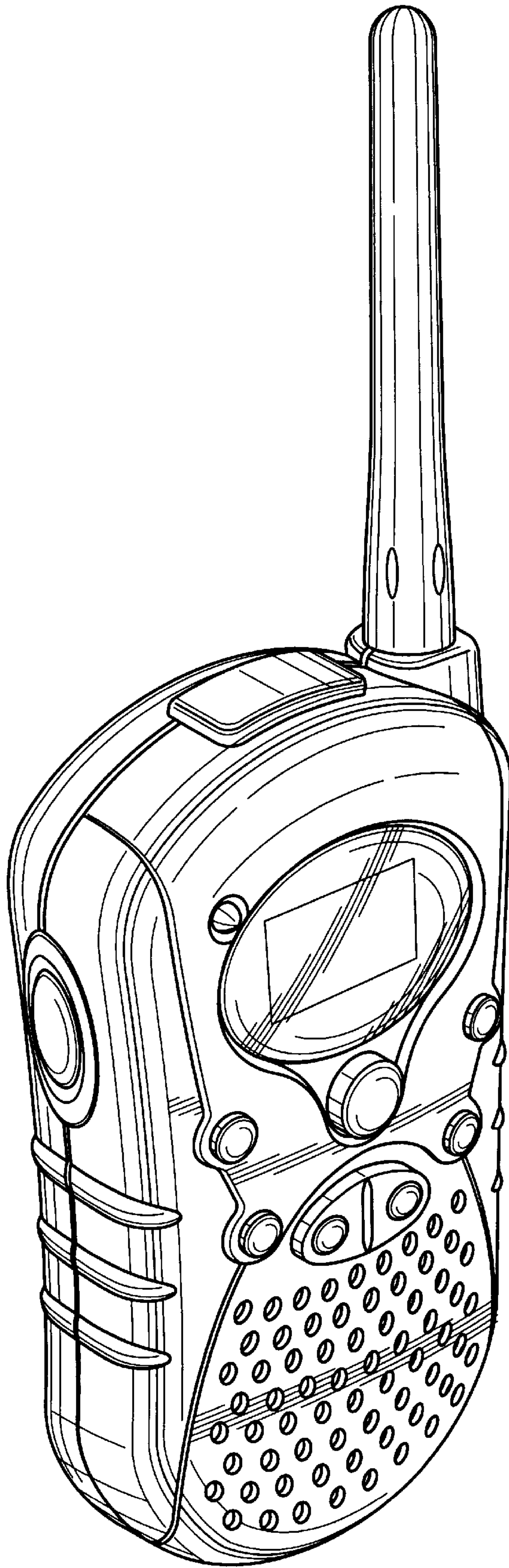


FIG. 1

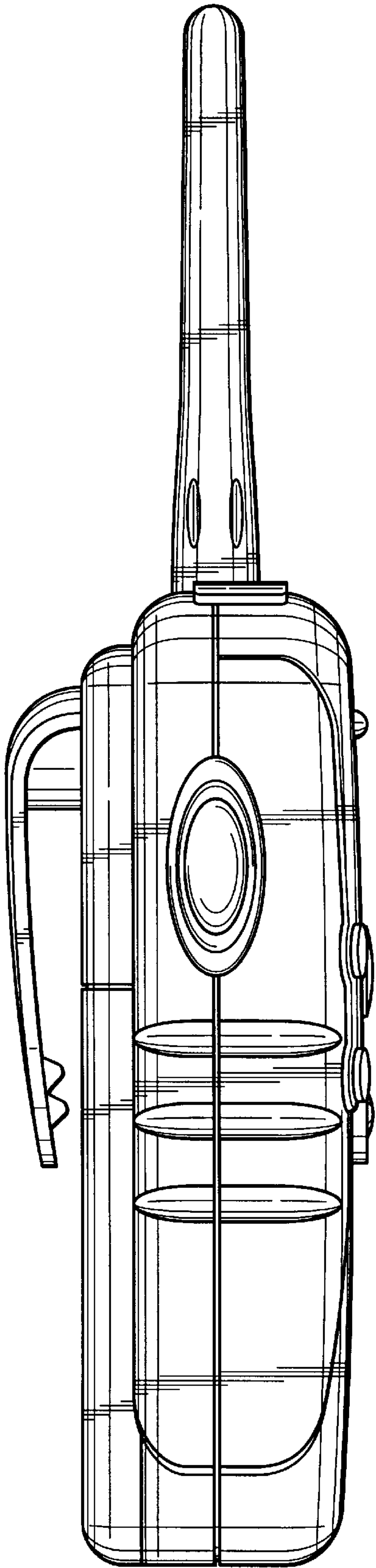


FIG. 3

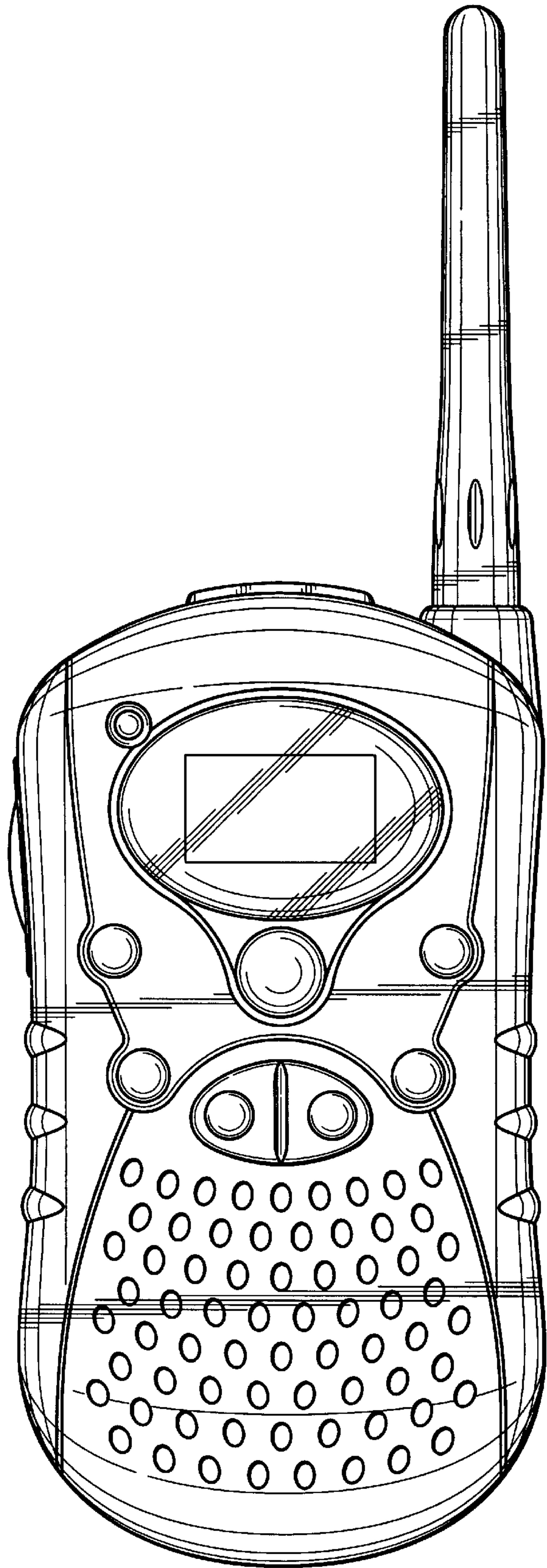


FIG. 2

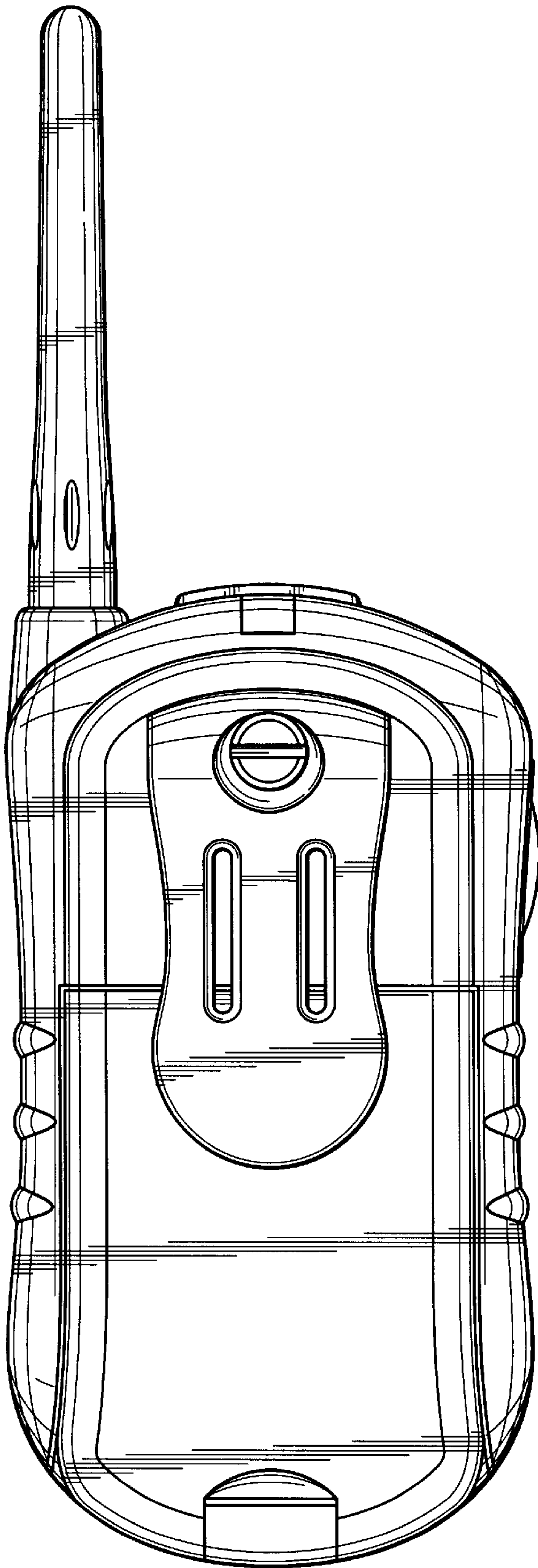


FIG. 5

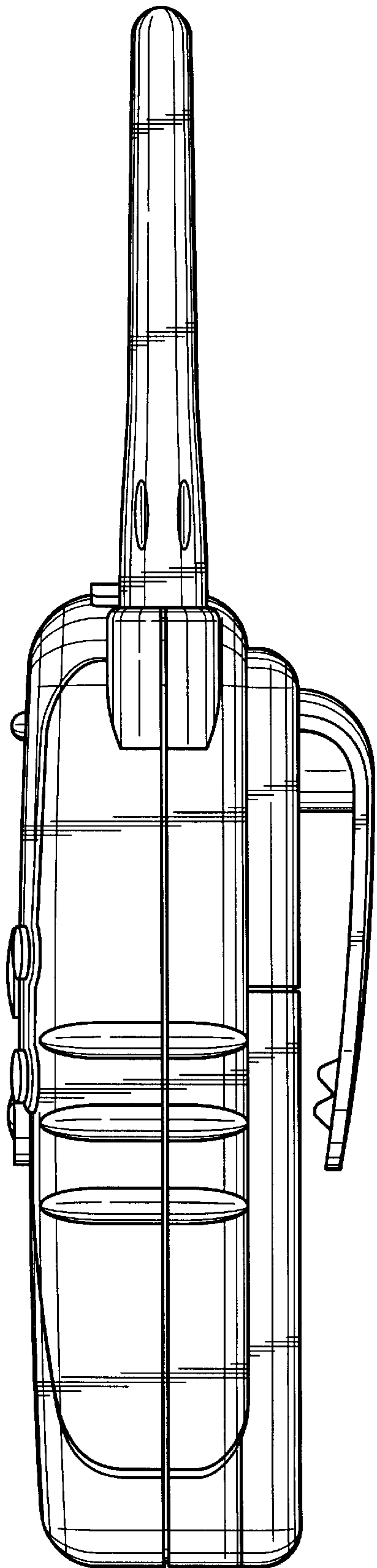


FIG. 4

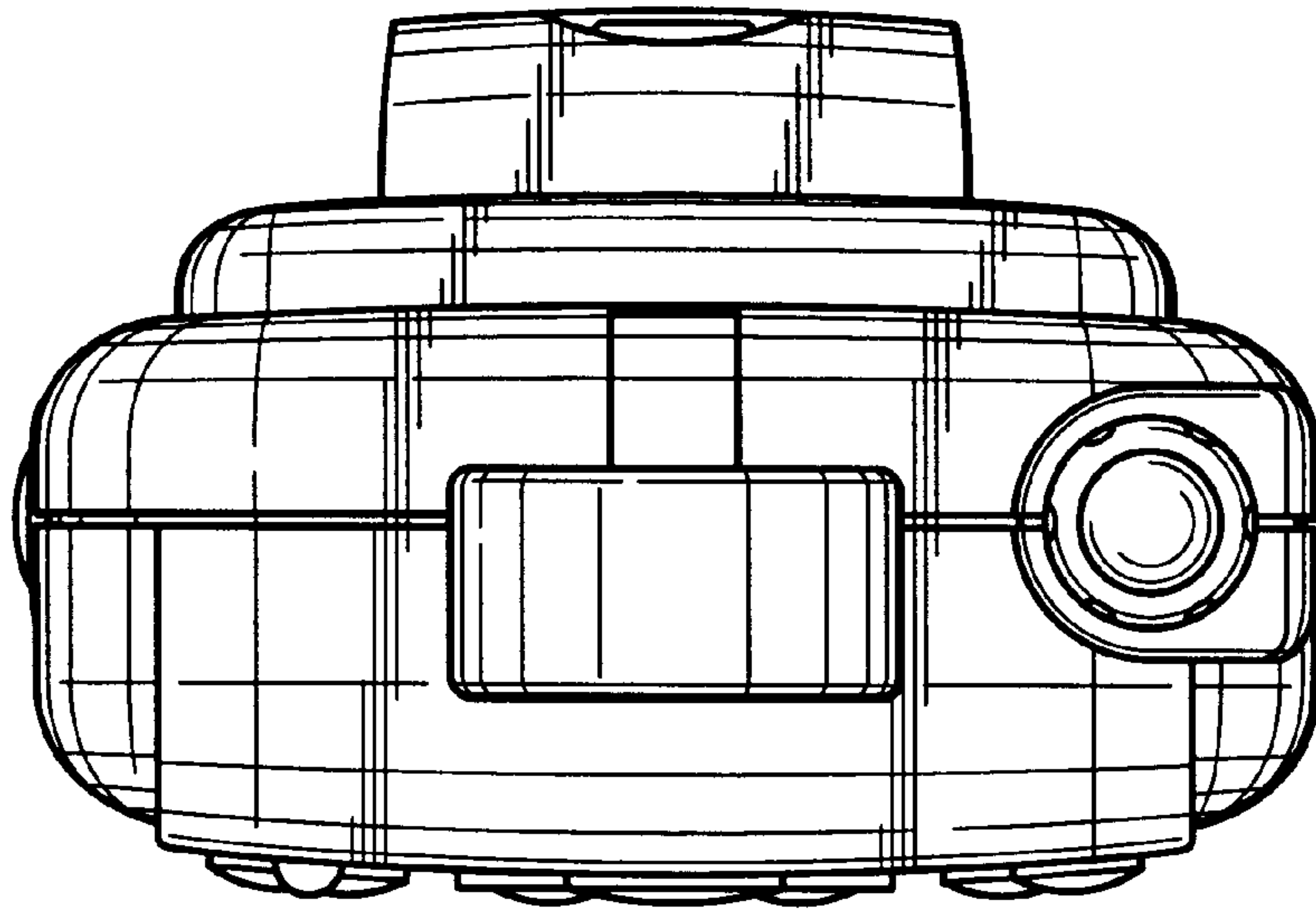


FIG. 6

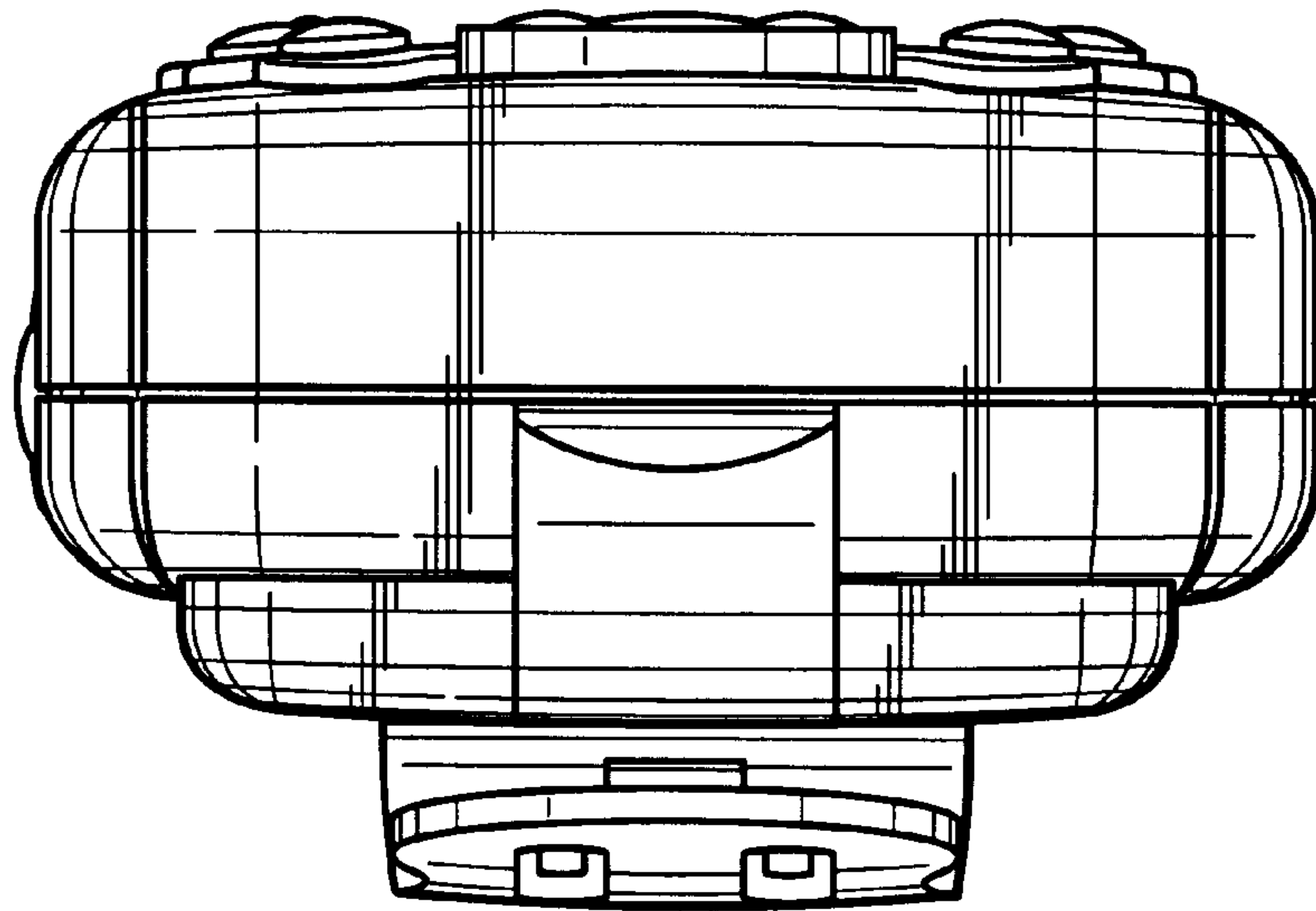


FIG. 7

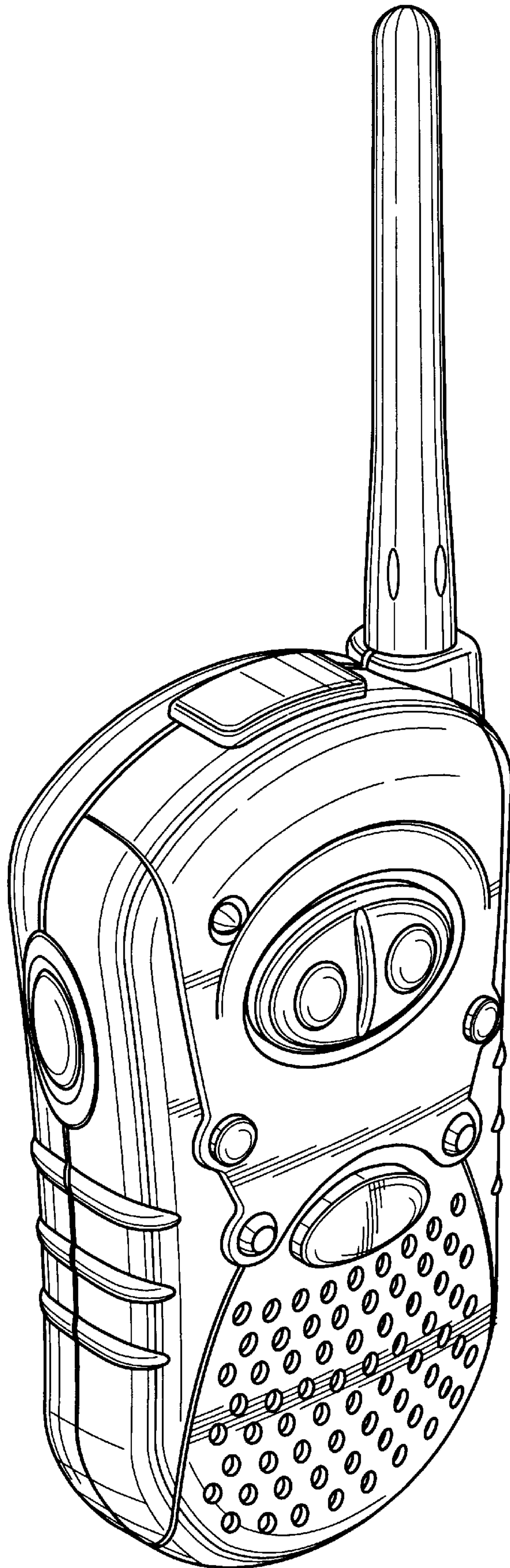


FIG. 8

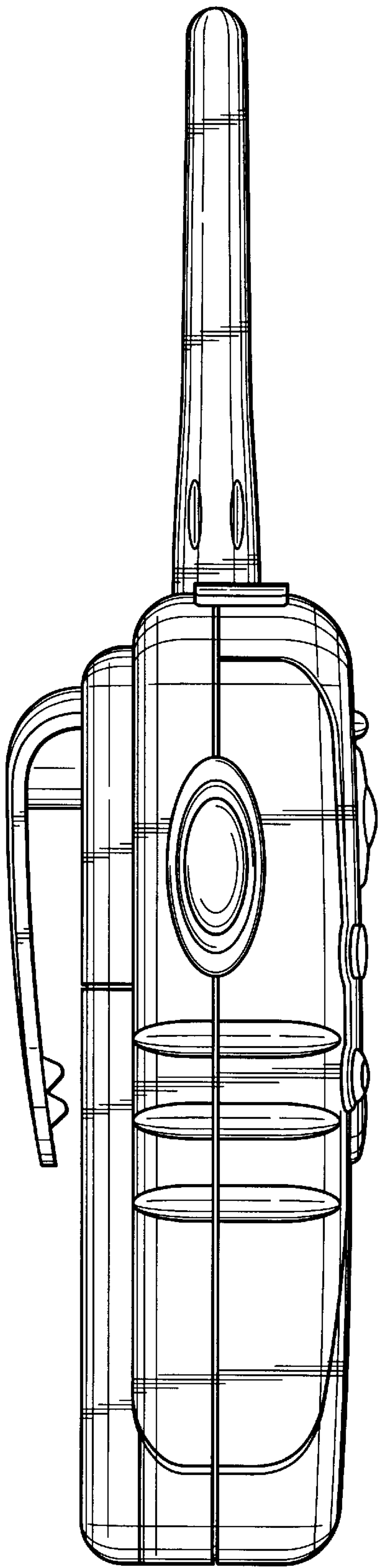


FIG. 10

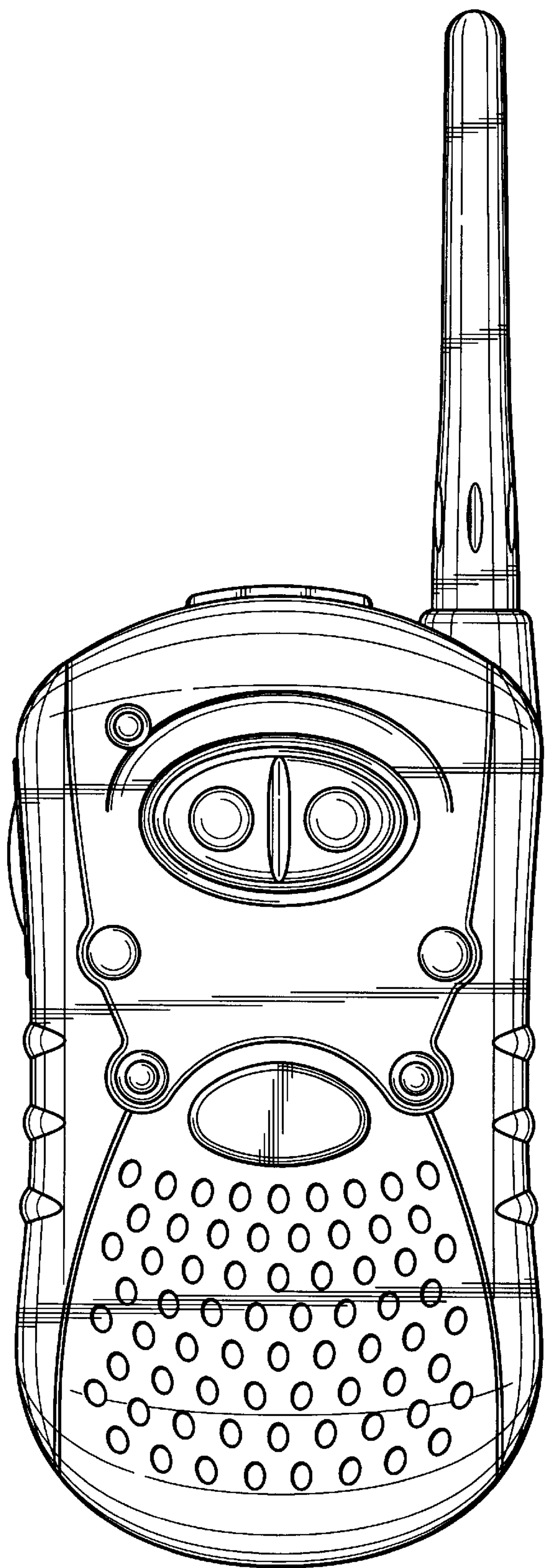


FIG. 9

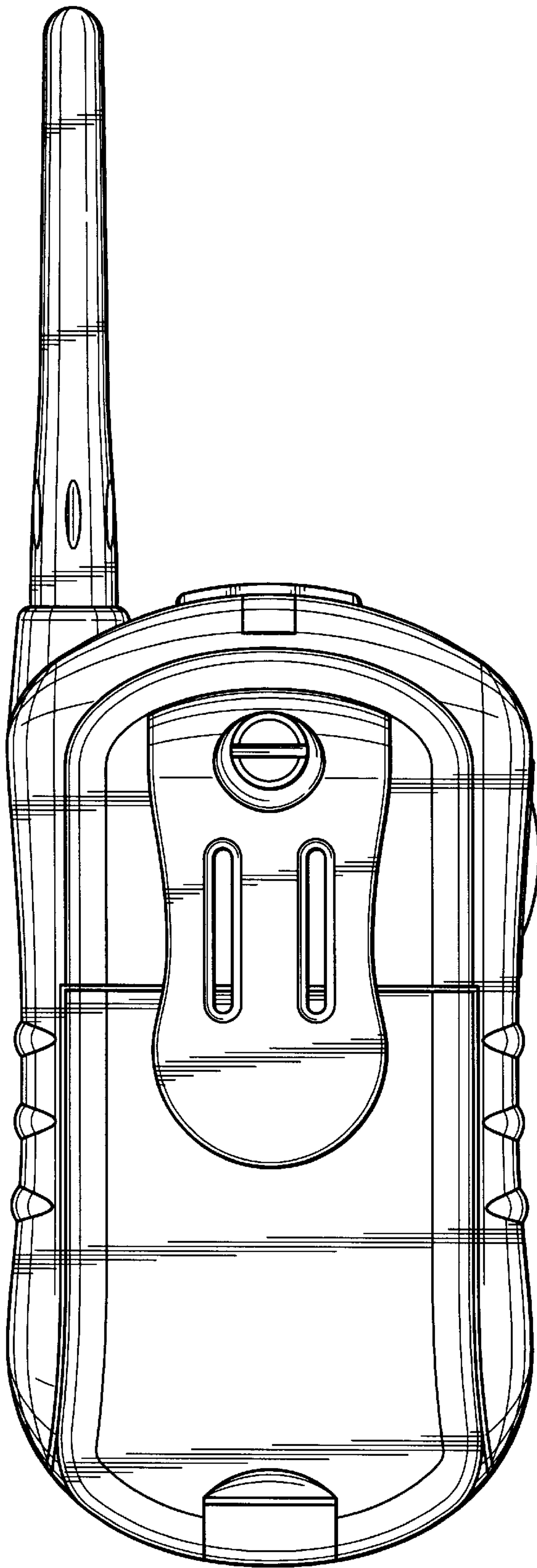


FIG. 12

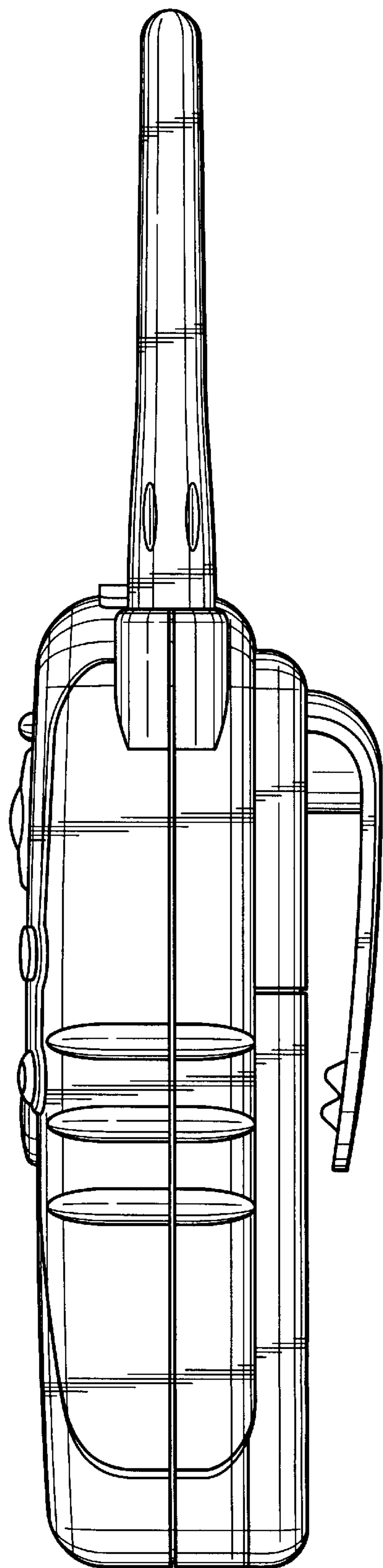


FIG. 11

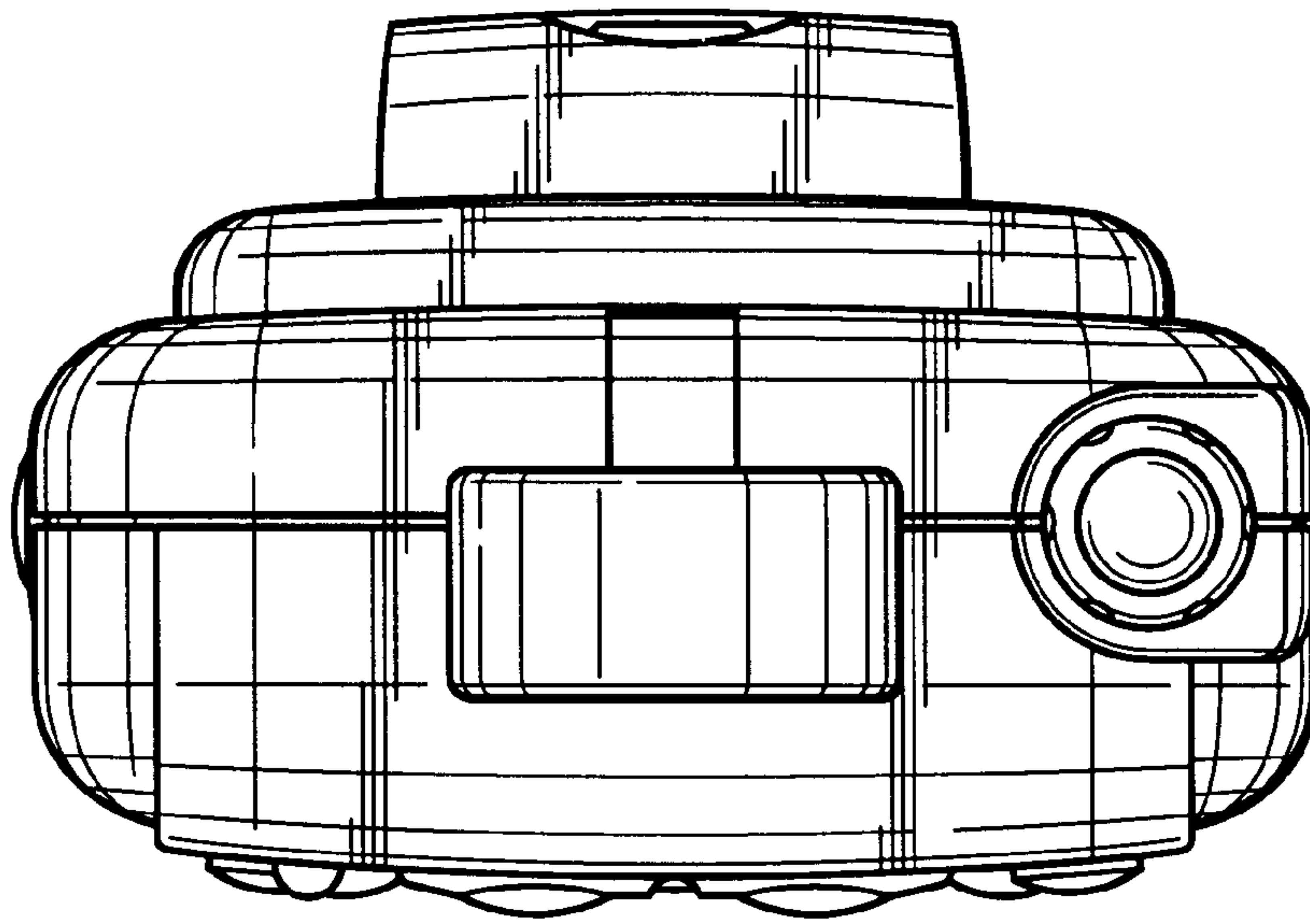


FIG. 13

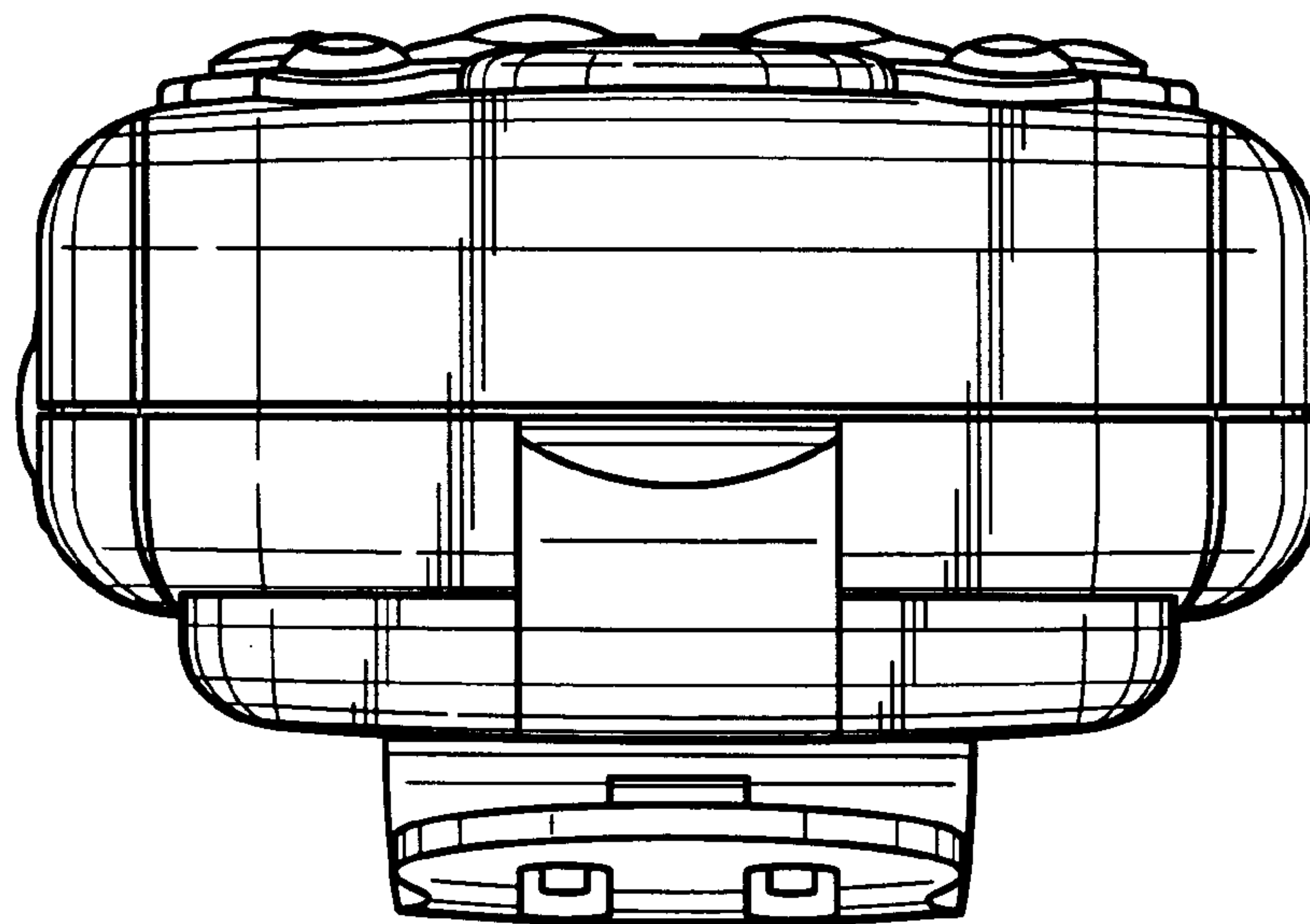


FIG. 14