



US00D433395S

# United States Patent [19]

Wong

[11] Patent Number: Des. 433,395

[45] Date of Patent: \*\* Nov. 7, 2000

[54] WALKIE TALKIE

[75] Inventor: **Joel Chok Wai Wong**, North Point, The Hong Kong Special Administrative Region of the People's Republic of China

[73] Assignee: **Victory Concept Industries Ltd.**, Kowloon, The Hong Kong Special Administrative Region of the People's Republic of China

[\*\*] Term: **14 Years**

[21] Appl. No.: **29/119,726**

[22] Filed: **Mar. 7, 2000**

[51] LOC (7) Cl. .... **14-03**

[52] U.S. Cl. .... **D14/137**

[58] Field of Search ..... D14/137, 138, D14/147-148, 247-248, 250, 240, 140-142; 379/433, 434, 419, 420, 428, 440; 455/550-575, 90, 347-349

### [56] References Cited

#### U.S. PATENT DOCUMENTS

D. 340,927	11/1993	Goatman	.....	D14/137
D. 370,011	5/1996	Lindeman	.....	D14/137
D. 387,758	12/1997	Oross et al.	.....	D14/137
D. 389,827	1/1998	Oross et al.	.....	D14/137
D. 393,832	4/1998	Chen	.....	D13/168
D. 395,433	6/1998	Kee	.....	D14/192
D. 395,882	7/1998	Oross et al.	.....	D14/137
D. 398,588	9/1998	Pinardi et al.	.....	D13/168
D. 403,317	12/1998	Waldner	.....	D14/138
D. 406,834	3/1999	Metzcus et al.	.....	D14/138
D. 408,396	4/1999	Tyneski et al.	.....	D14/137
D. 409,997	5/1999	Heuel	.....	D14/137
D. 412,501	8/1999	Tyneski et al.	.....	D14/137
D. 416,252	11/1999	Haase et al.	.....	D14/137

D. 416,893	11/1999	Tyneski et al.	.....	D14/137
D. 417,219	11/1999	Barrette et al.	.....	D14/218
D. 419,154	1/2000	Page et al.	.....	D14/137
D. 421,013	2/2000	Isonaga	.....	D14/191

#### OTHER PUBLICATIONS

Spring 2000 Hello Direct, p. 57 showing Motorola Spirit GT.

*Primary Examiner*—Jeffrey Asch  
*Attorney, Agent, or Firm*—Rabin & Champagne, P.C.

#### [57] CLAIM

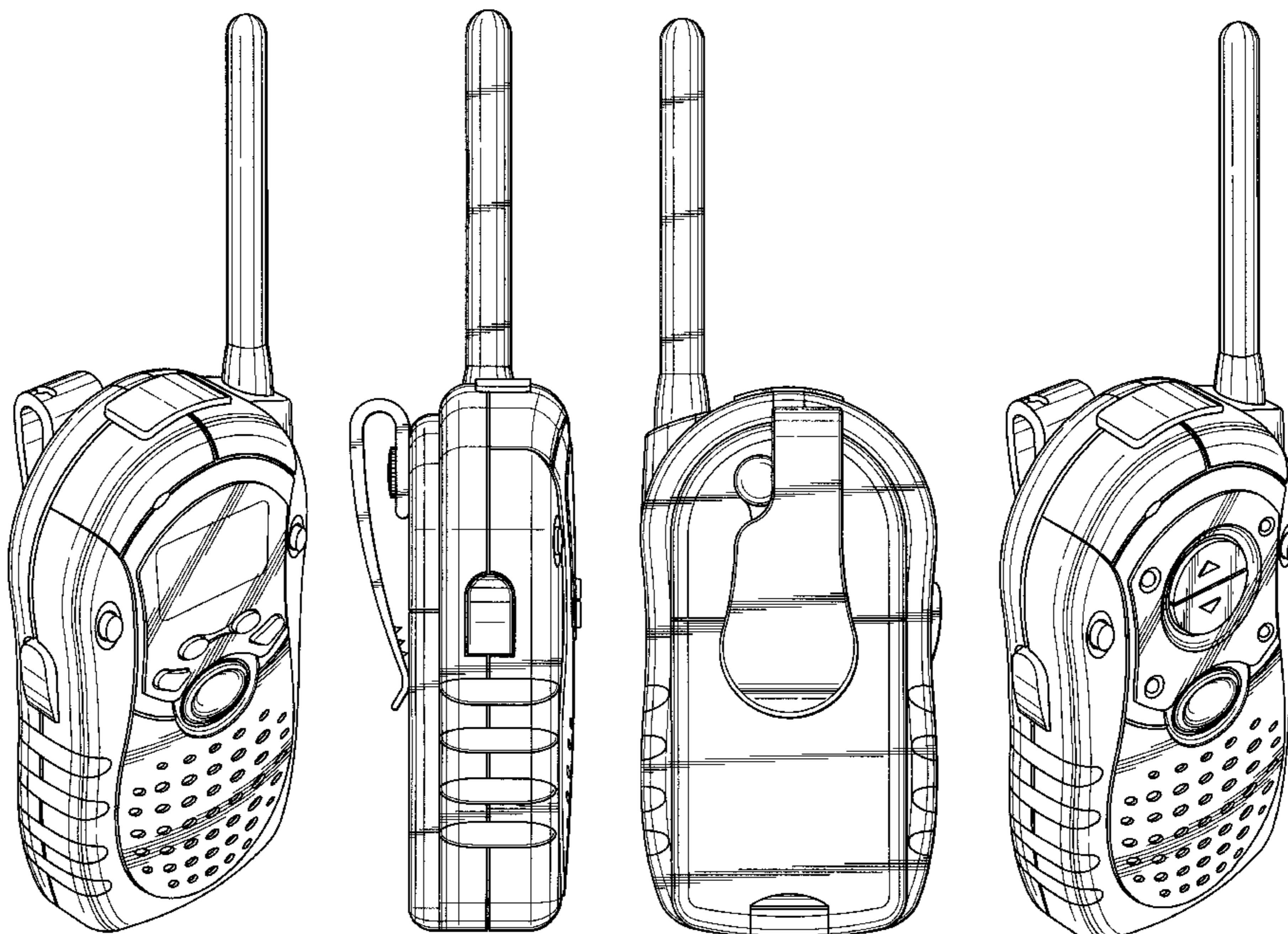
The ornamental design for a walkie talkie, as shown and described.

#### DESCRIPTION

FIG. 1 is a perspective view of a walkie talkie showing my new design;  
 FIG. 2 is a front view thereof;  
 FIG. 3 is a left side view thereof;  
 FIG. 4 is a right side view thereof;  
 FIG. 5 is a rear view thereof;  
 FIG. 6 is a top view thereof;  
 FIG. 7 is a bottom view thereof;  
 FIG. 8 is a perspective view of a second embodiment of my new design;  
 FIG. 9 is a front view thereof;  
 FIG. 10 is a left side view thereof;  
 FIG. 11 is a right side view thereof;  
 FIG. 12 is a rear view thereof;  
 FIG. 13 is a top view thereof; and,  
 FIG. 14 is a bottom view thereof.

This application includes two embodiments. FIGS. 1-7 show all views of the first embodiment of the design, and FIGS. 9-14 show all views of the second embodiment of the design.

**1 Claim, 8 Drawing Sheets**



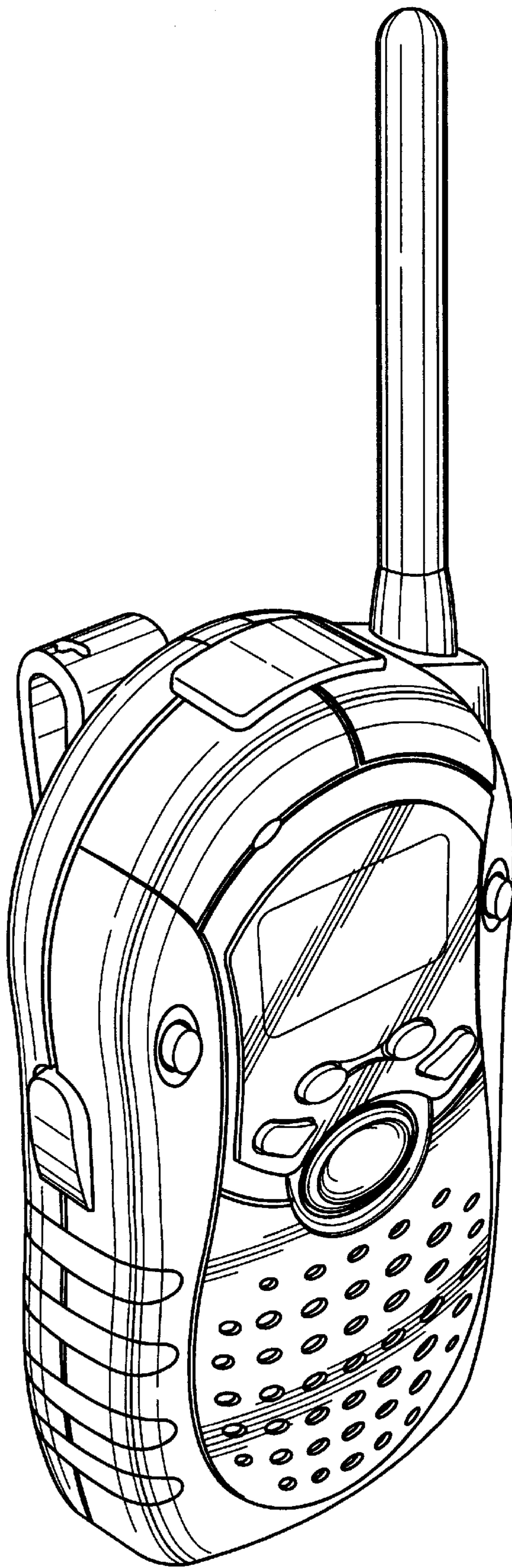


FIG. 1

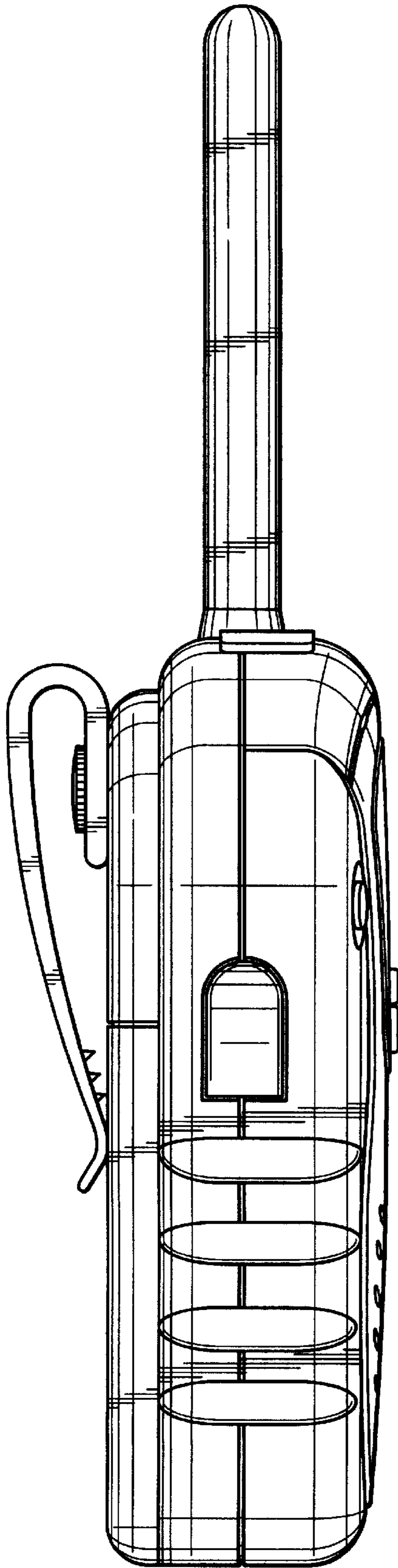


FIG. 3

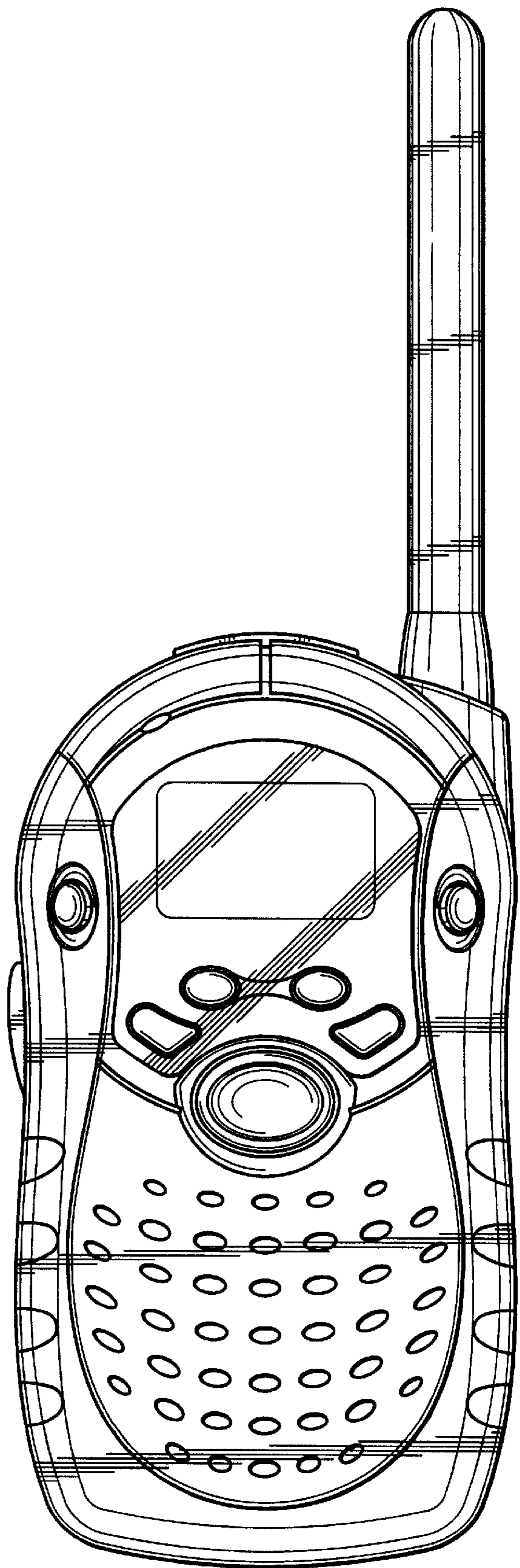


FIG. 2

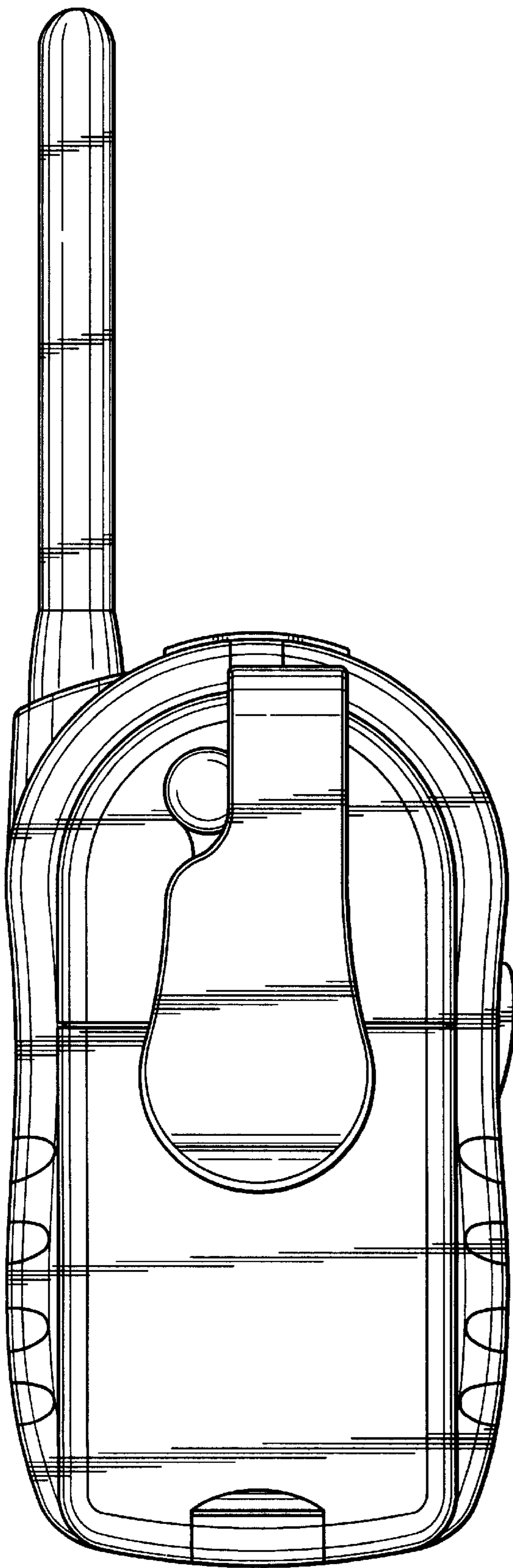


FIG. 5

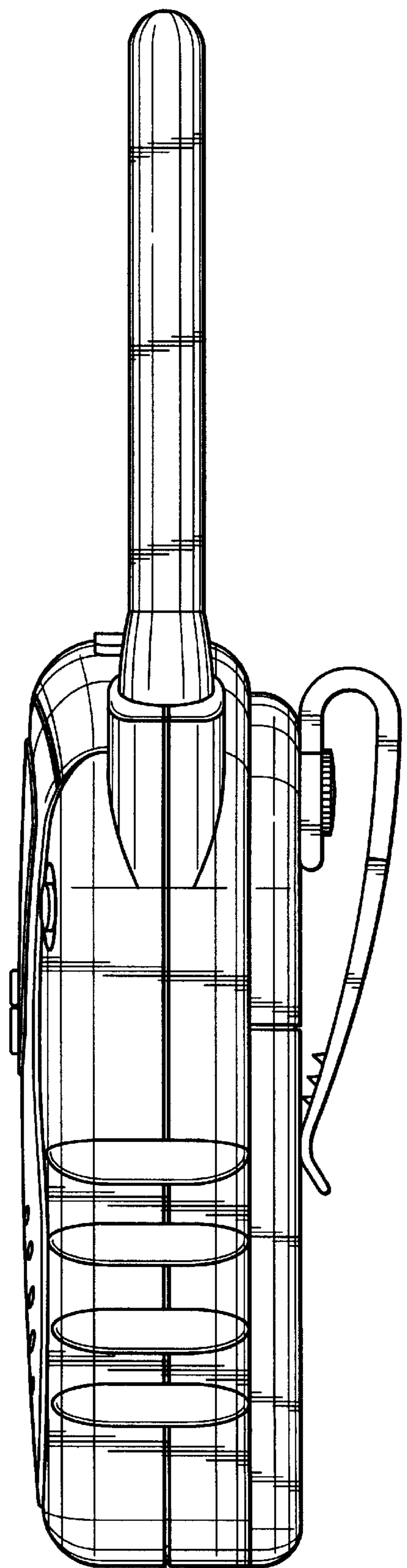


FIG. 4

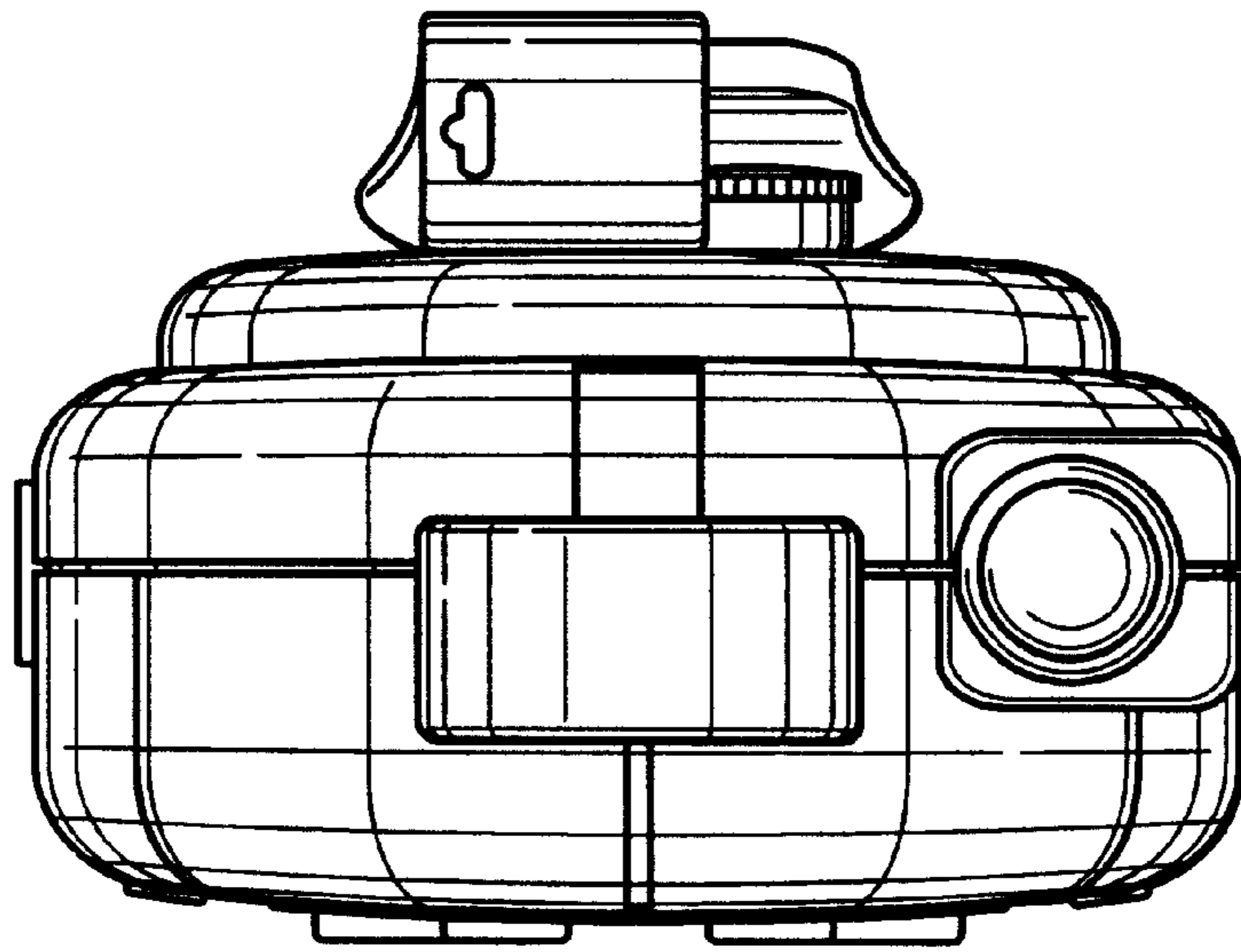


FIG. 6

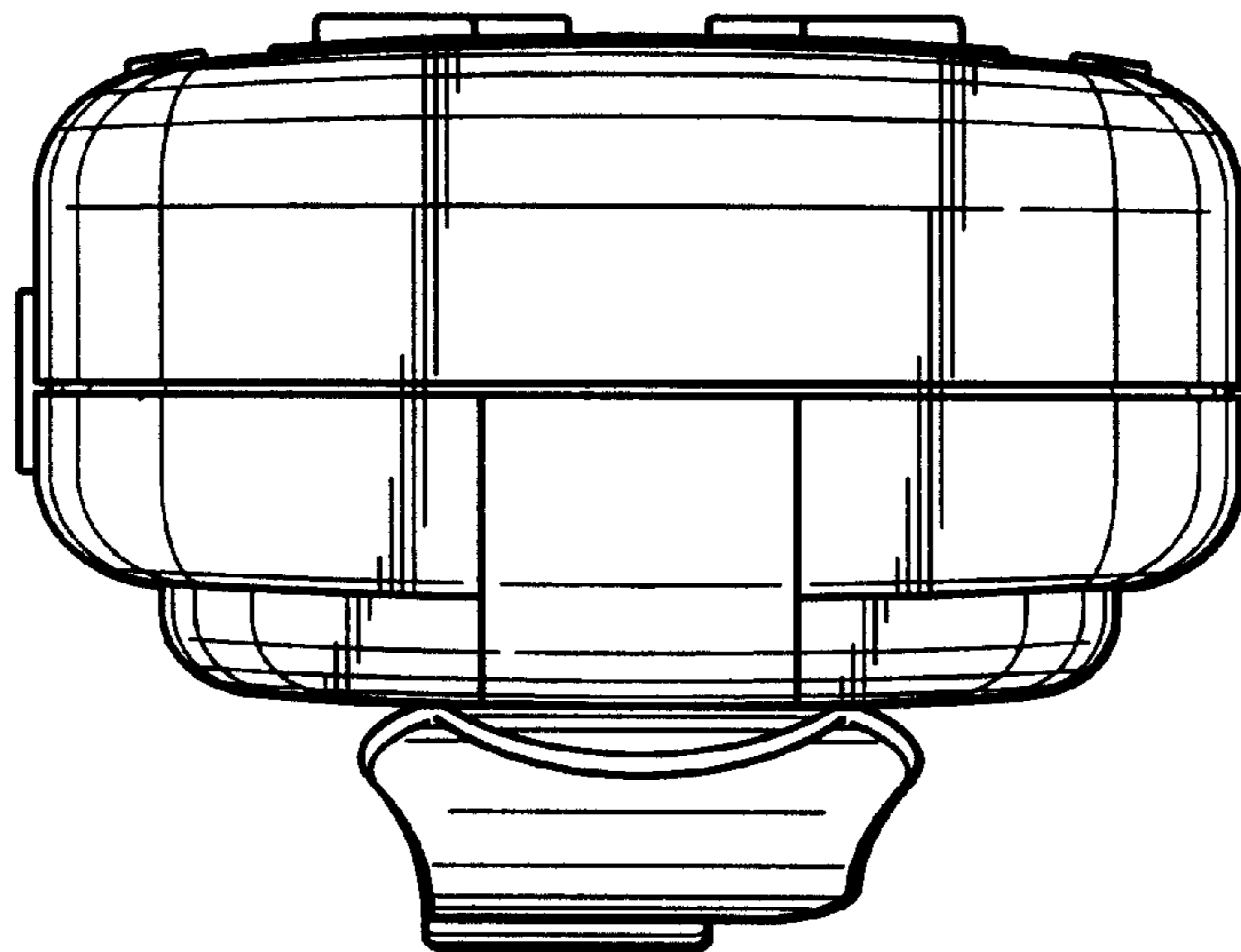


FIG. 7

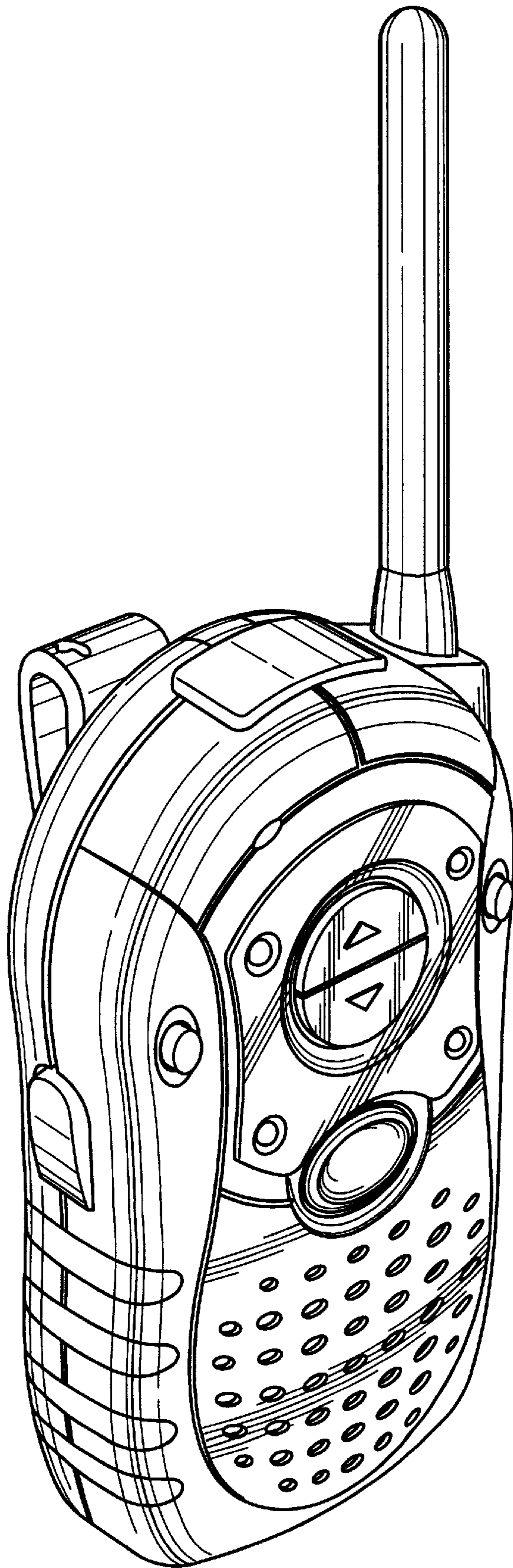


FIG. 8

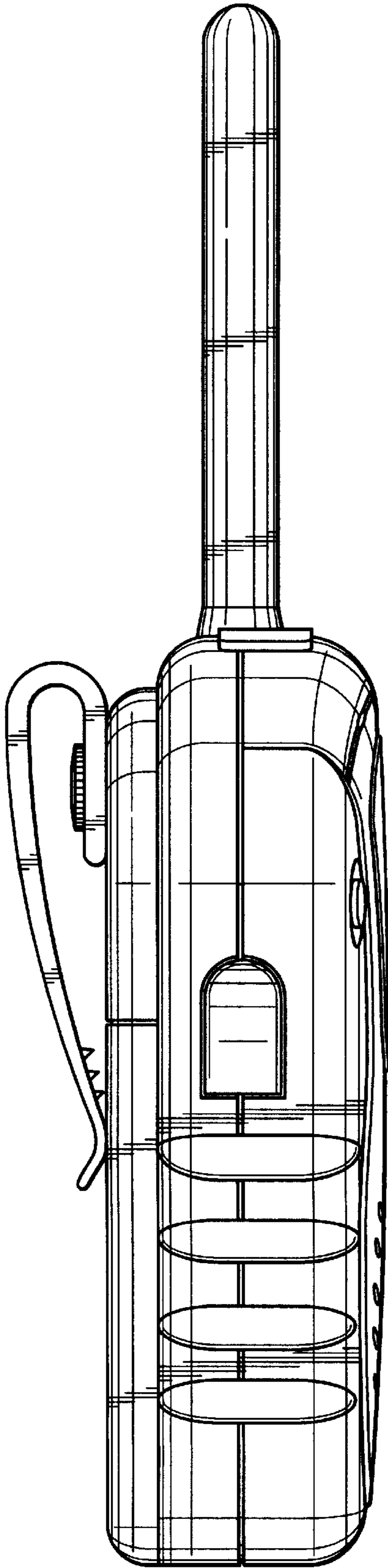


FIG. 10

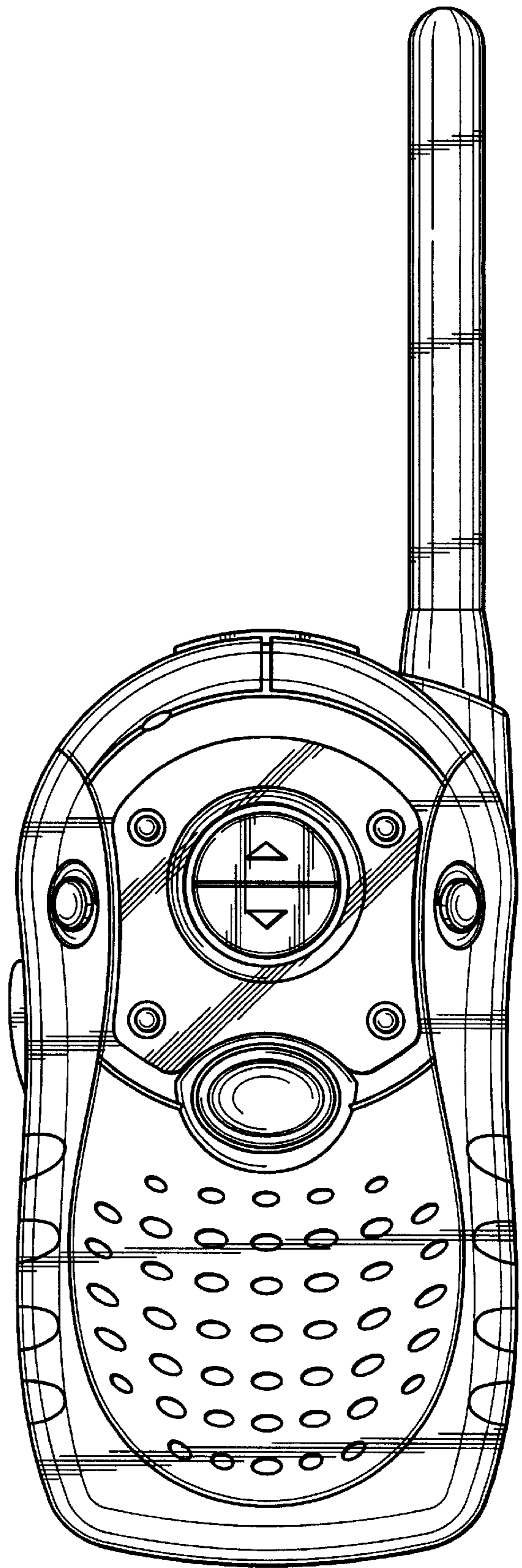


FIG. 9

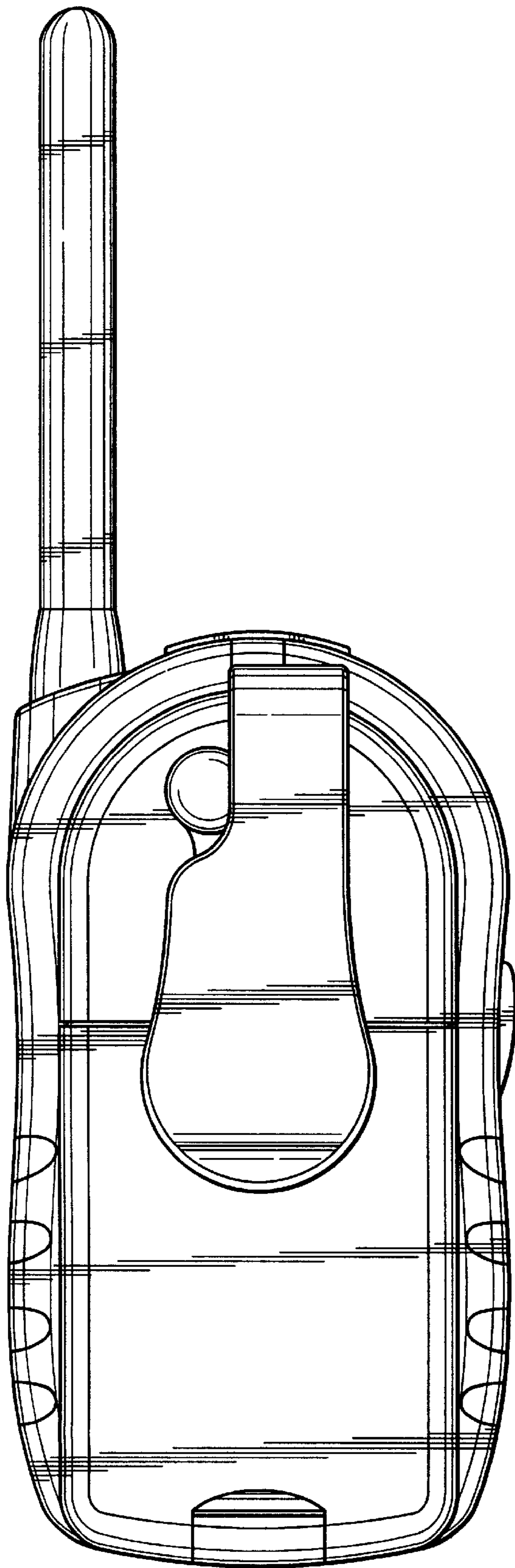


FIG. 12

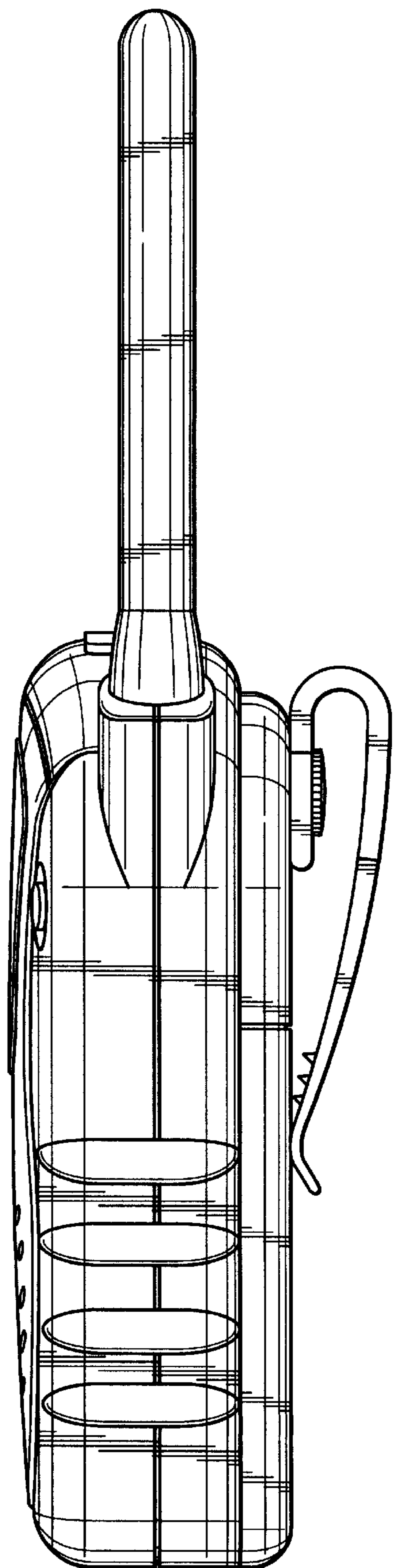


FIG. 11



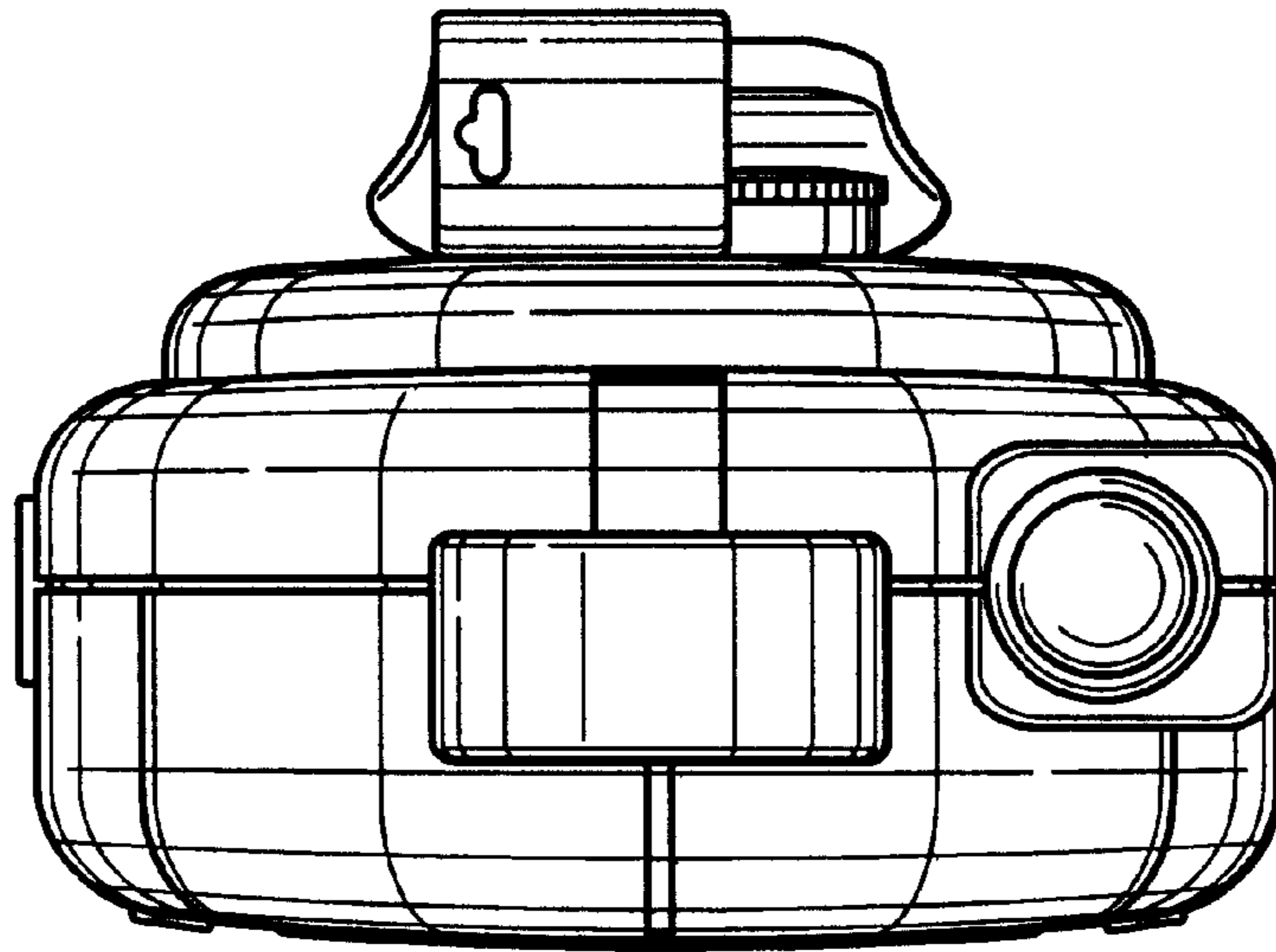


FIG. 13

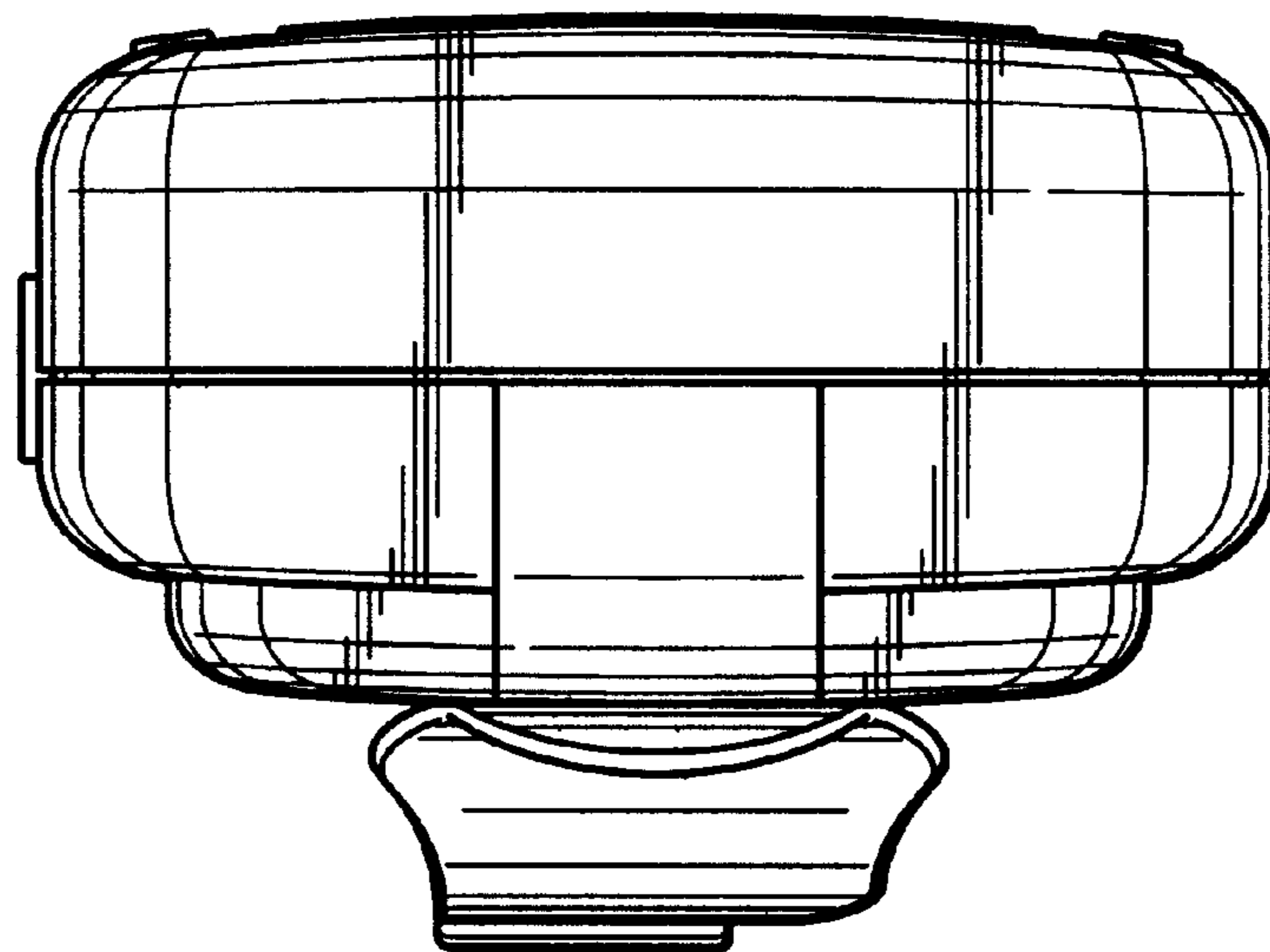


FIG. 14