



US00D433392S

United States Patent [19] Hodgson

[11] Patent Number: Des. 433,392

[45] Date of Patent: ** Nov. 7, 2000

[54] WINDOW FOR A COMPUTER DISPLAY SCREEN

[75] Inventor: Peter J. Hodgson, London, United Kingdom

[73] Assignee: Apple Computer, Inc., Cupertino, Calif.

[**] Term: 14 Years

[21] Appl. No.: 29/101,651

[22] Filed: Mar. 4, 1999

Related U.S. Application Data

[62] Division of application No. 29/072,485, Jun. 18, 1997, Pat. No. Des. 414,758.

[51] LOC (7) Cl. 14-02

[52] U.S. Cl. D14/114.1

[58] Field of Search D14/114, 114.1-114.9; D18/24-33; D19/6; D20/11; D21/324-33; 345/326, 339-58

[56] References Cited

U.S. PATENT DOCUMENTS

D. 296,114	6/1988	Wells-Papanek et al.	D18/27
D. 297,243	8/1988	Wells-Papanek et al.	D18/27
D. 384,051	9/1997	Kodosky	D14/114.3
D. 387,750	12/1997	Kodosky	D14/114.3
D. 388,776	1/1998	Zhang et al.	D14/114.1
D. 391,559	3/1998	Faris et al.	D14/114.1
D. 391,947	3/1998	Faris et al.	D14/114.2
D. 392,963	3/1998	Coleman	D14/114.2
D. 393,635	4/1998	Coleman	D14/114.2
D. 402,284	12/1998	Coleman	D14/114.2
D. 404,385	1/1999	Hodgson	D14/114.2
D. 406,122	2/1999	Hodgson	D14/114.2
D. 406,123	2/1999	Hodgson	D14/114.2
5,140,677	8/1992	Fleming et al.	395/159
5,202,828	4/1993	Vertelney et al.	364/419
5,299,307	3/1994	Young	395/161
5,388,202	2/1995	Squires et al.	395/157

5,450,539	9/1995	Ruben	395/155
5,544,305	8/1996	Ohmaye et al.	395/161
5,596,691	1/1997	Good et al.	395/140
5,600,778	2/1997	Swanson et al.	395/333
5,627,954	5/1997	McFarland	395/139
5,634,100	5/1997	Capps	395/209
5,634,102	5/1997	Capps	395/334
5,652,876	7/1997	Ashe et al.	395/500
5,664,128	9/1997	Bauer	345/334
5,669,005	9/1997	Curbow et al.	395/777
5,710,894	1/1998	Maulsby et al.	395/326

OTHER PUBLICATIONS

Claris MacDraw II, Claris Corporation, 1988, p. 32. Macintosh Graphics, 1985, pp. 49-50 and 107-108. Inside Macintosh, vol. 1, 1985, pp. 272-274 and 297-300.

Primary Examiner—M. H. Tung
Attorney, Agent, or Firm—Nancy R. Simon

[57] CLAIM

The ornamental design for a window for a computer display, screen as shown and described.

DESCRIPTION

The file of this patent contains at least one drawing executed in color. Copies of this patent with color drawing(s) will be provided by the Patent and Trademark Office upon request and payment of the necessary fee.

FIG. 1 is a front view of a window for a computer display screen;

FIG. 2 is a front view of a second embodiment thereof;

FIG. 3 is a front view of a third embodiment thereof;

FIG. 4 is a front view of a fourth embodiment thereof;

FIG. 5 is a front view of a fifth embodiment thereof;

FIG. 6 is a front view of a sixth embodiment thereof;

FIG. 7 is a front view of a seventh embodiment thereof;

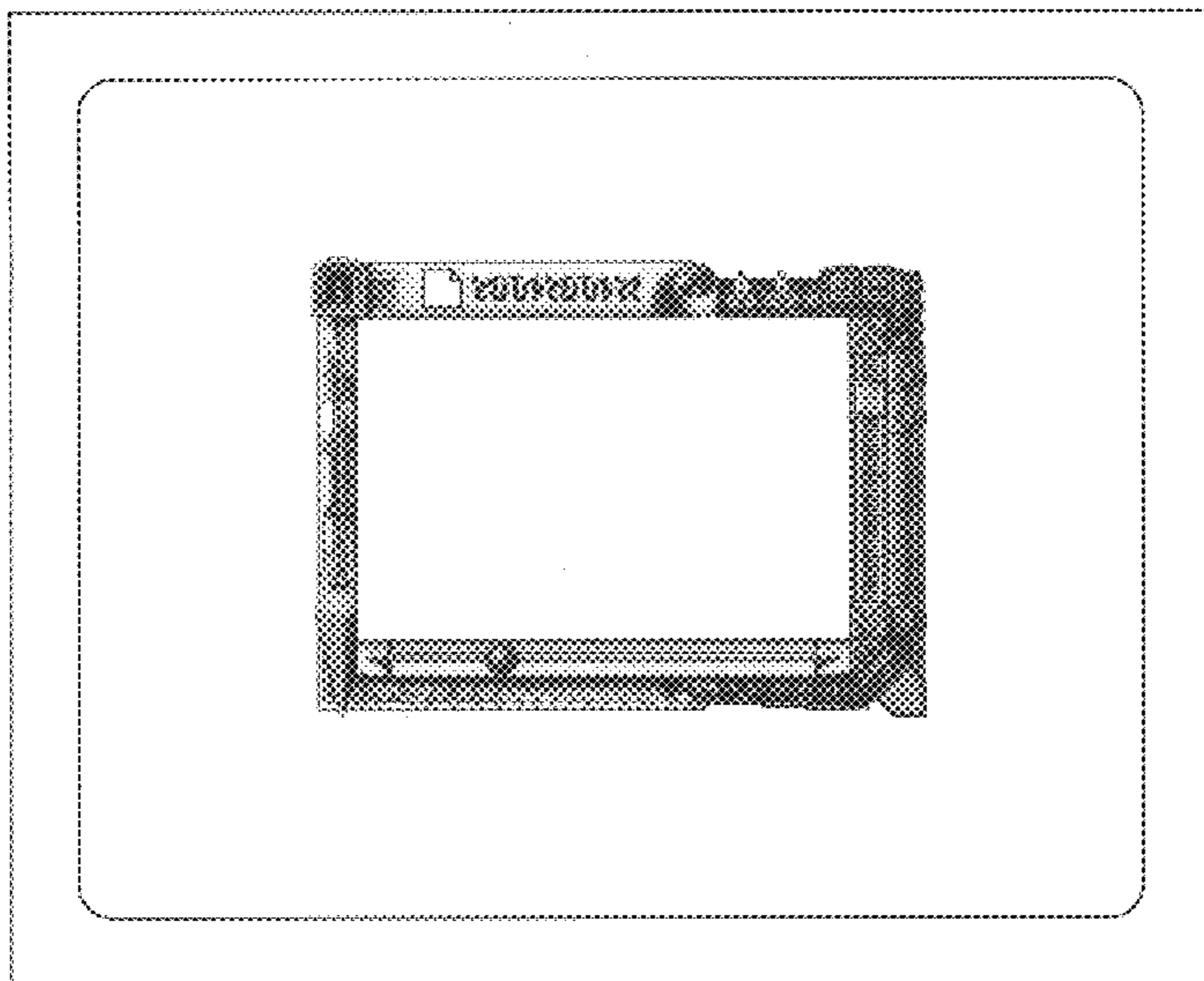
FIG. 8 is a front view of an eighth embodiment thereof;

FIG. 9 is a front view of a ninth embodiment thereof; and,

FIG. 10 is a front view of a tenth embodiment thereof.

1 Claim, 10 Drawing Sheets

(5 of 10 Drawing Sheet(s) Filed in Color)



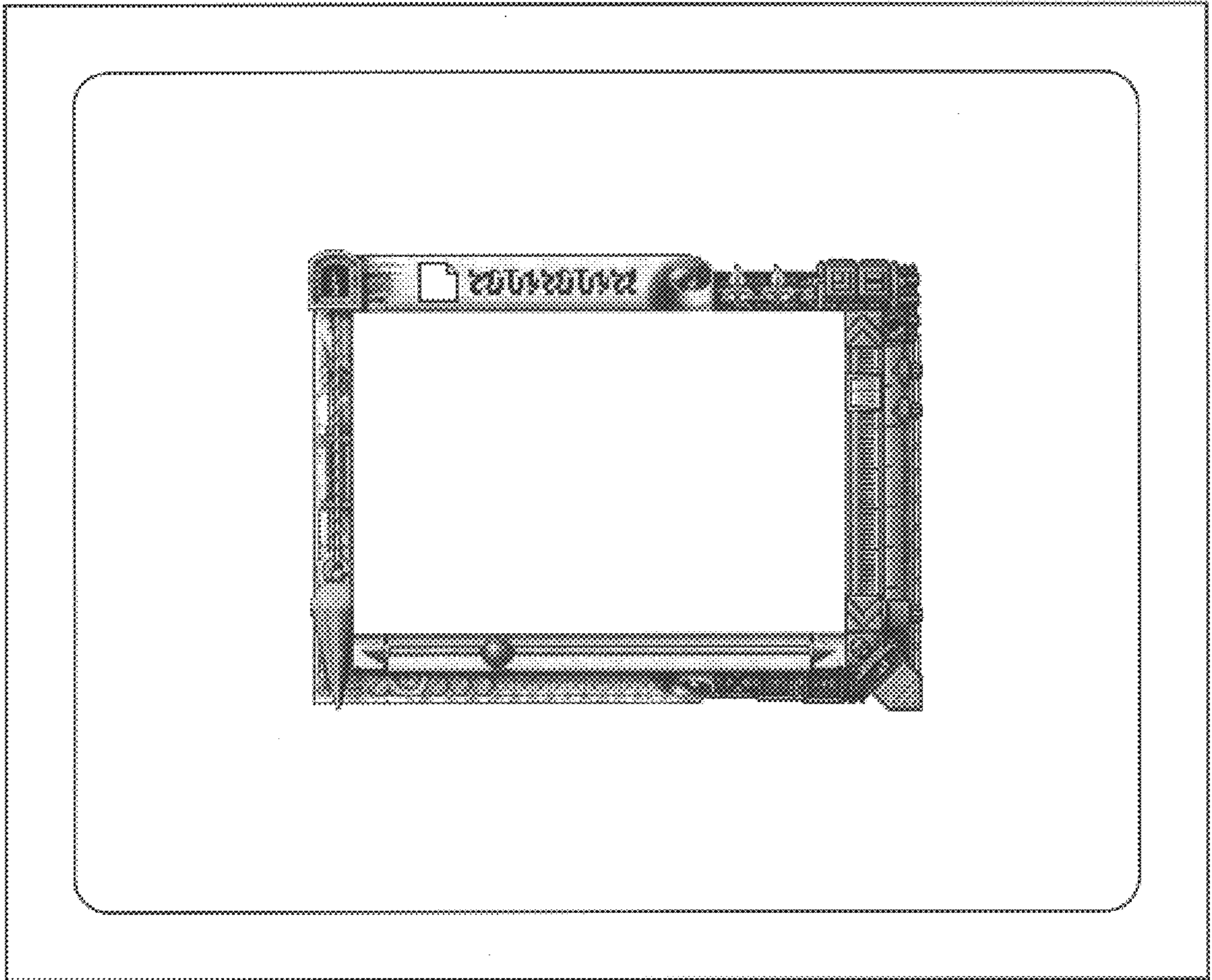


FIG. 1

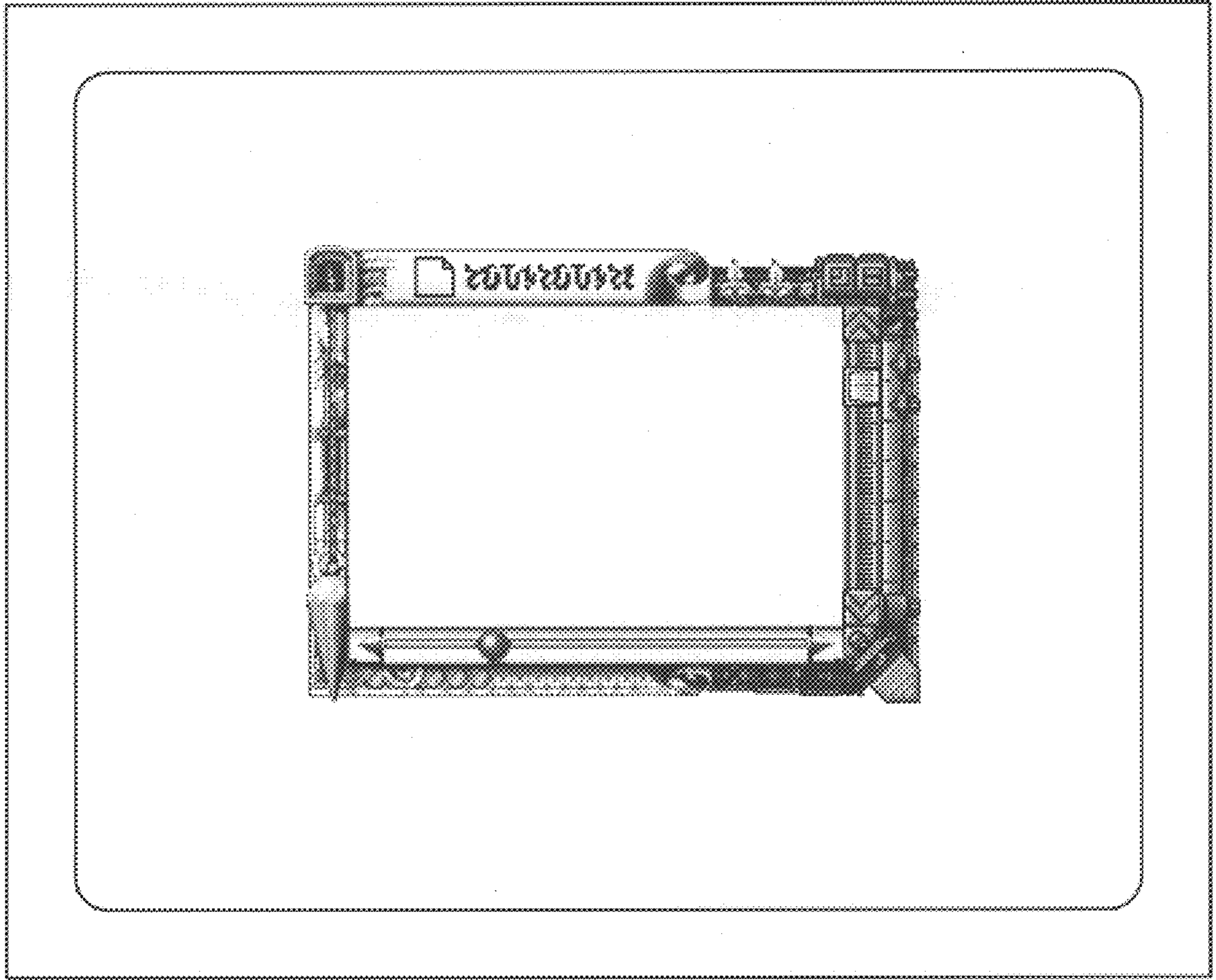


FIG. 2

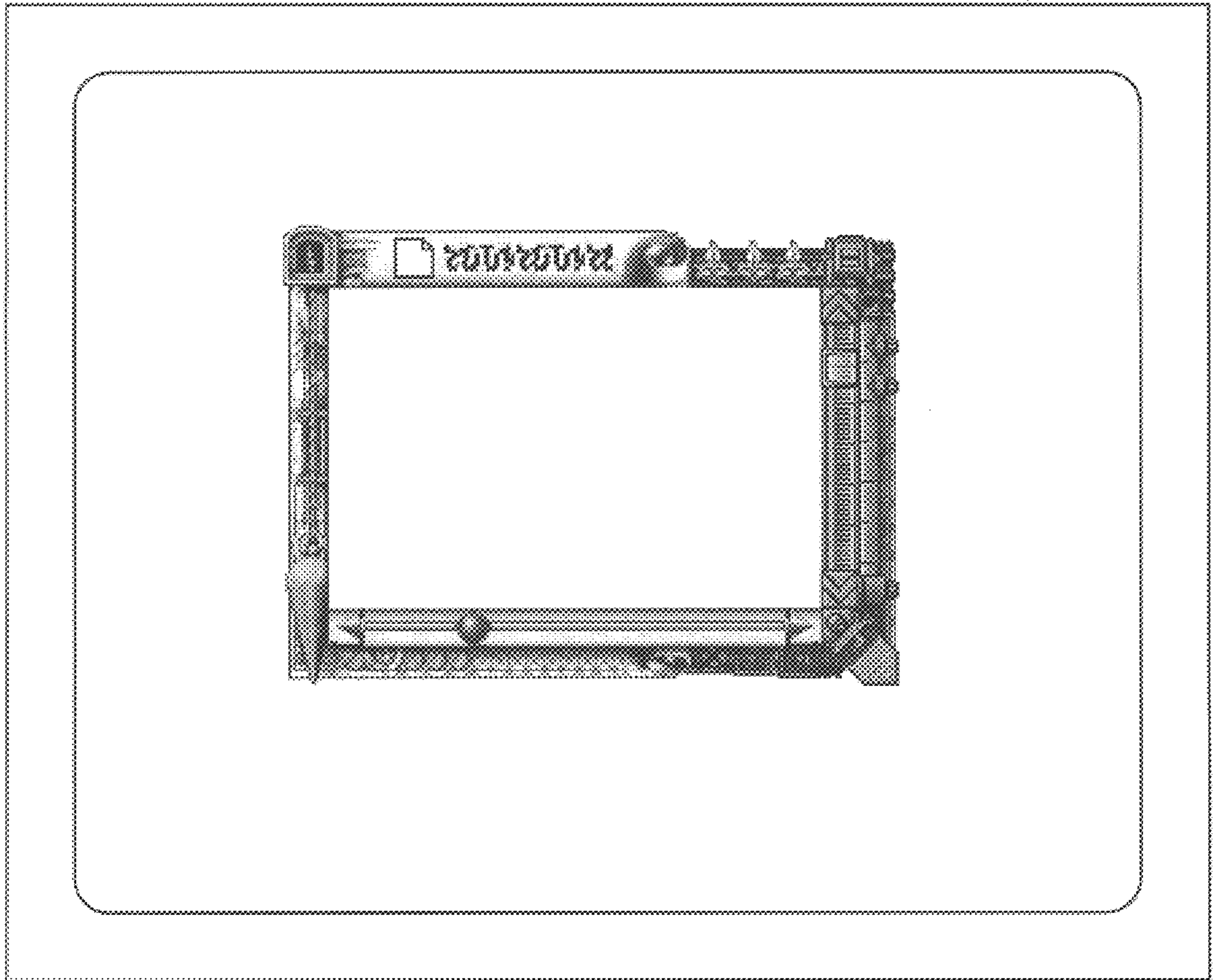


FIG. 3

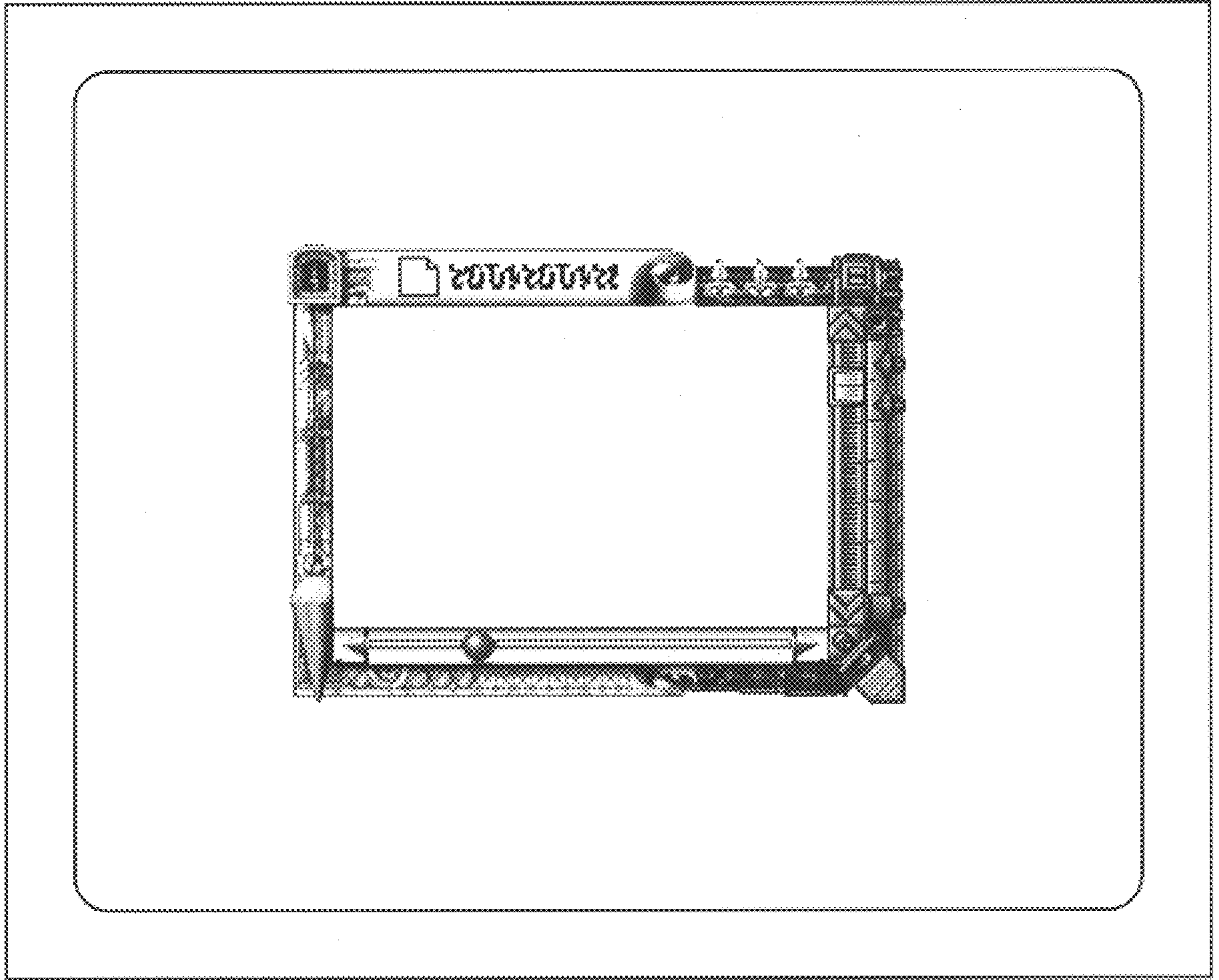


FIG. 4

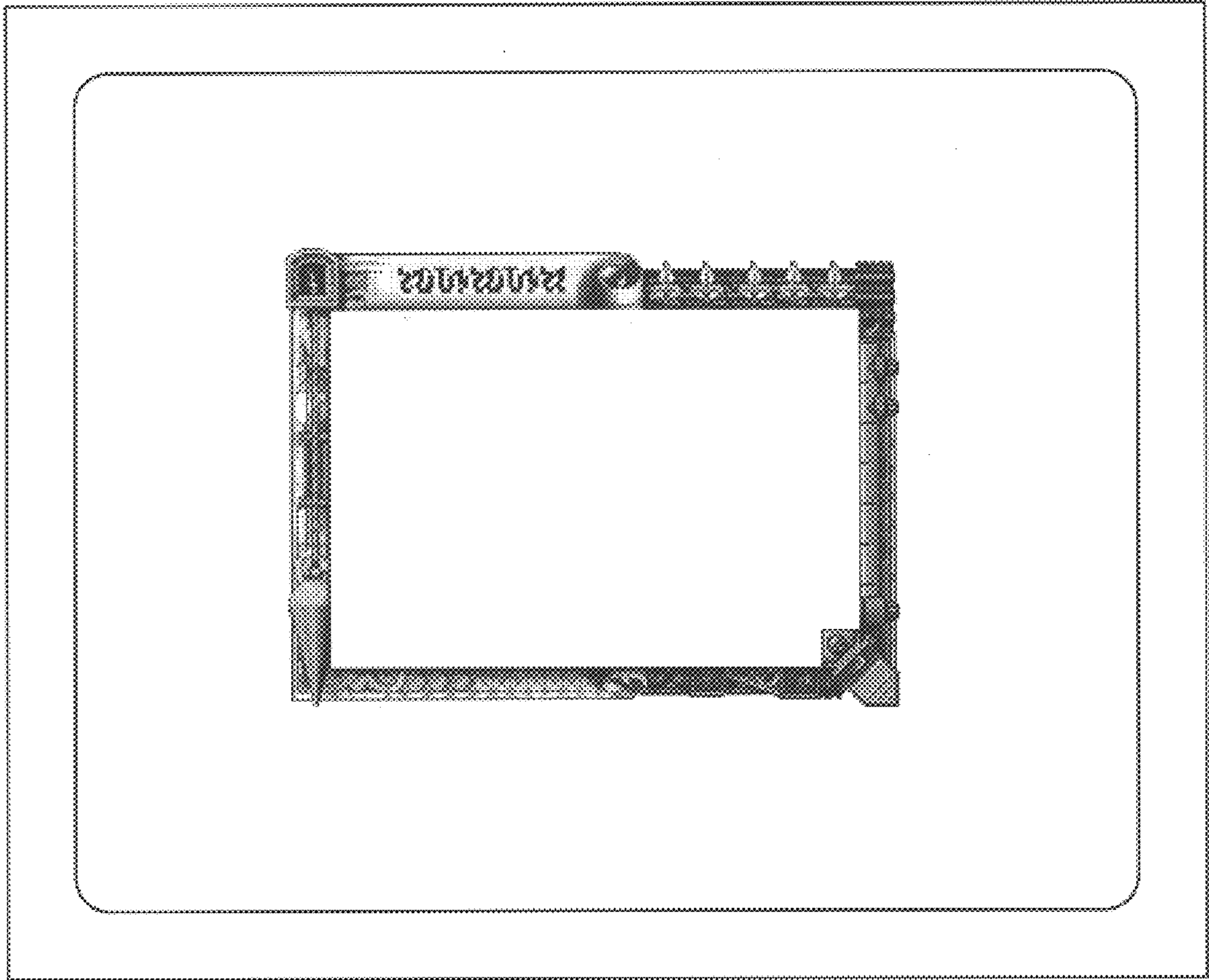


FIG. 5

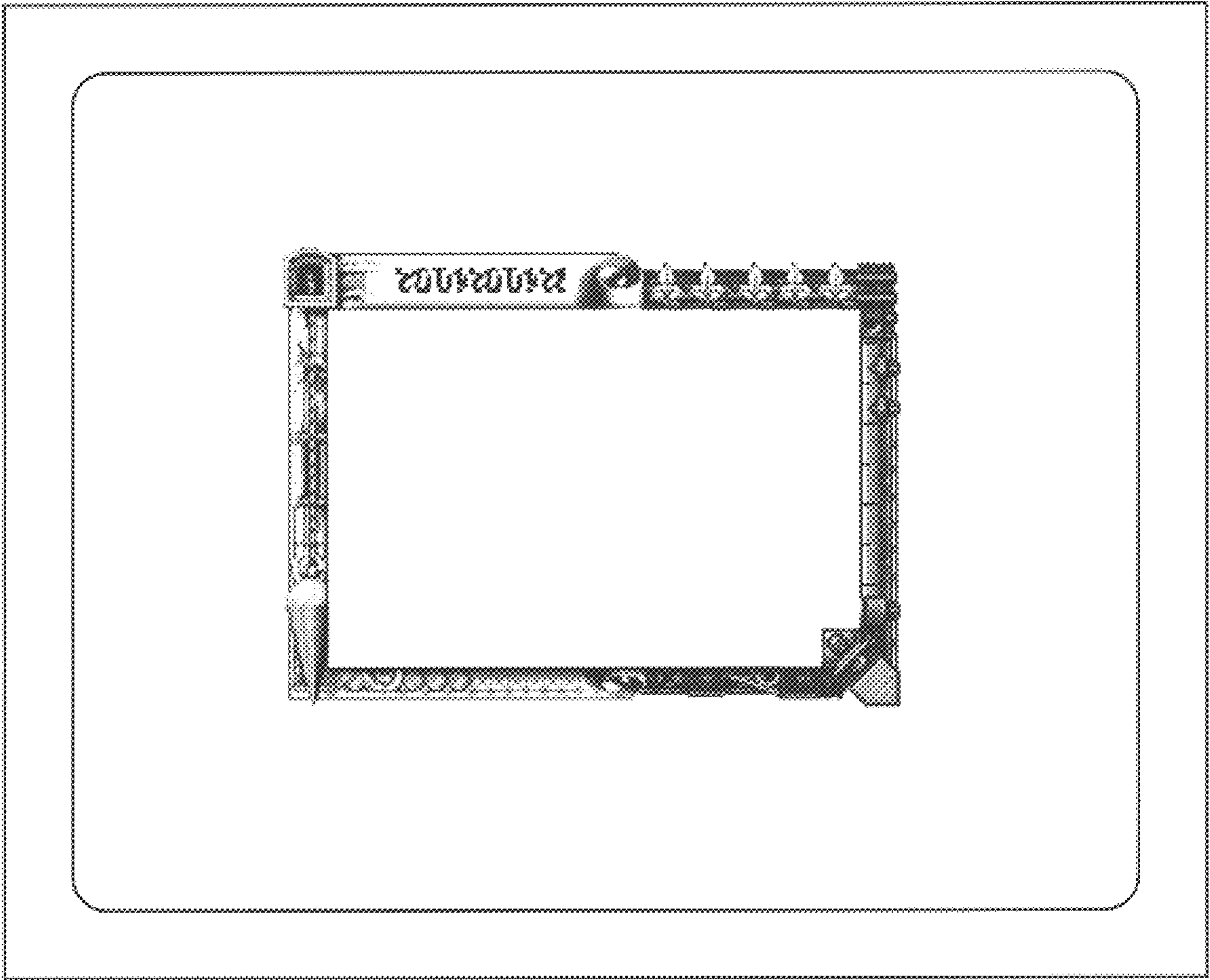


FIG. 6

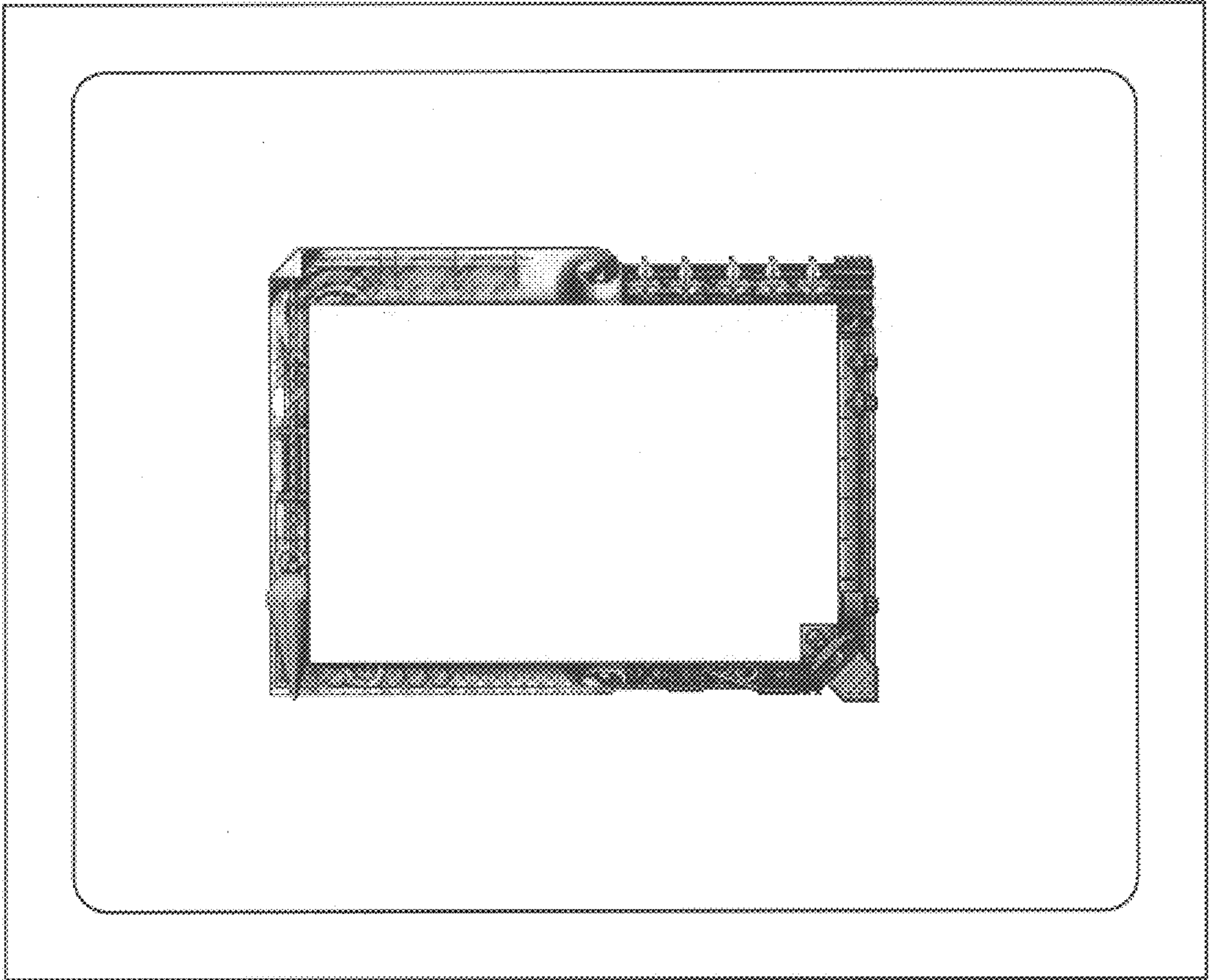


FIG. 7

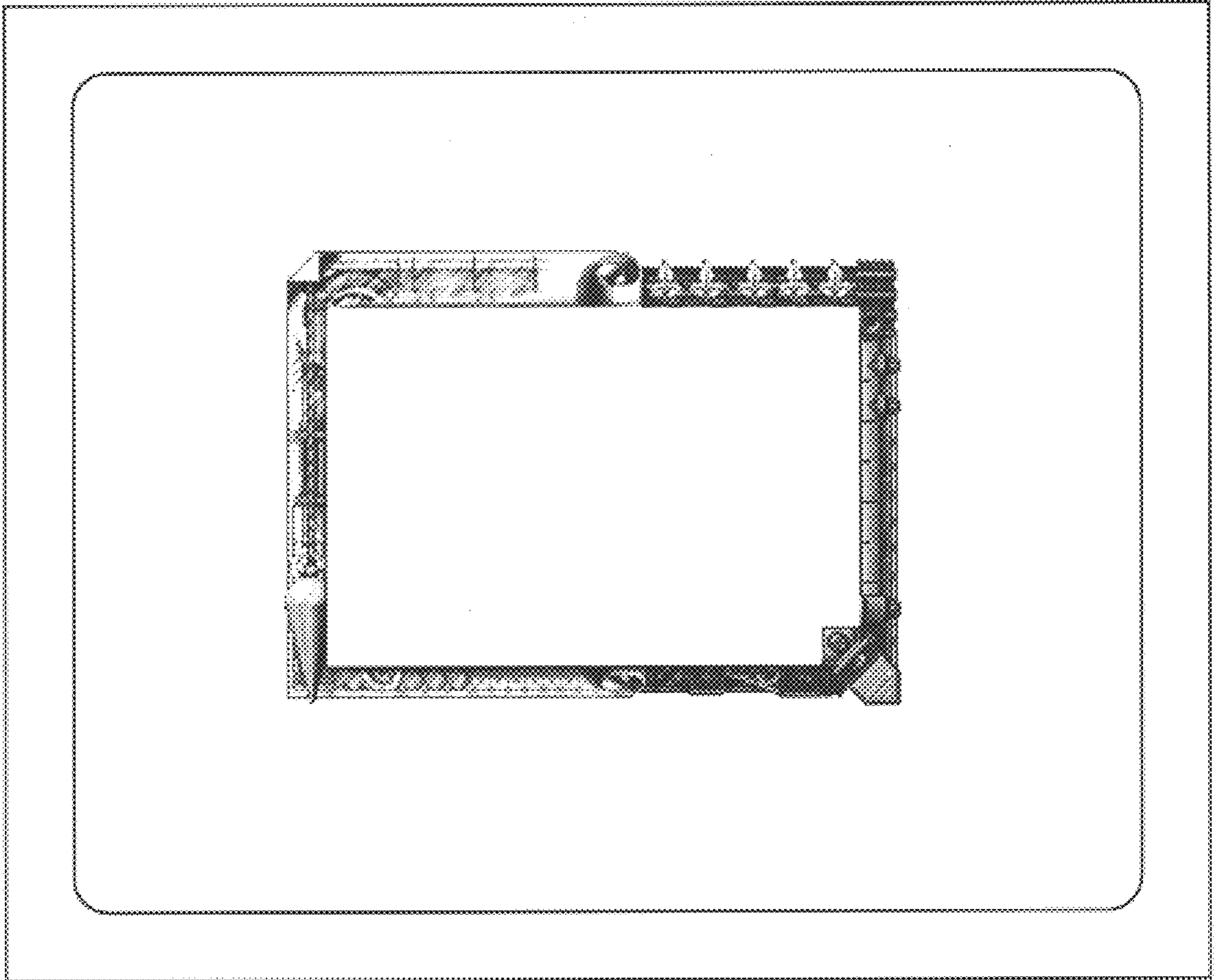


FIG. 8

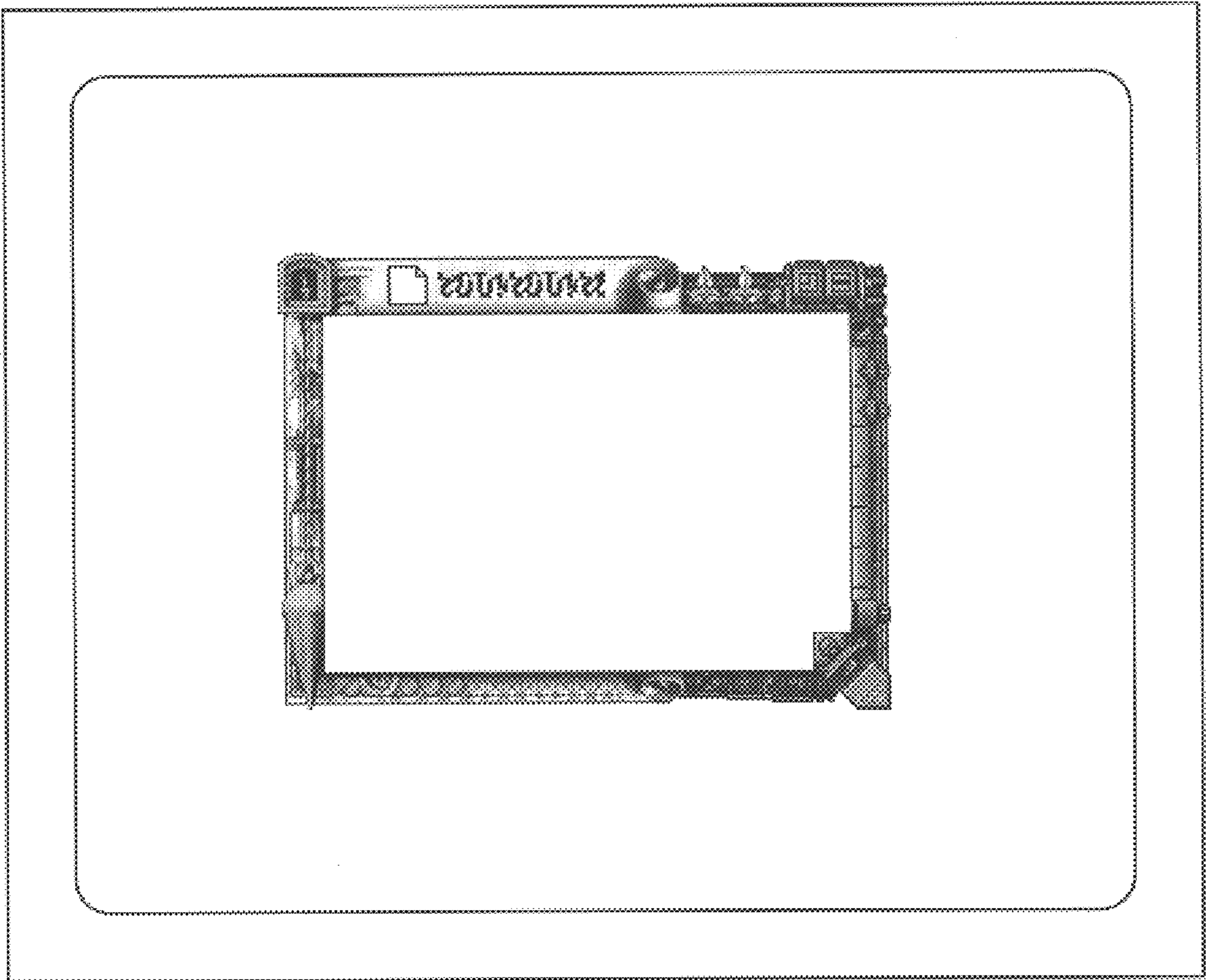


FIG. 9

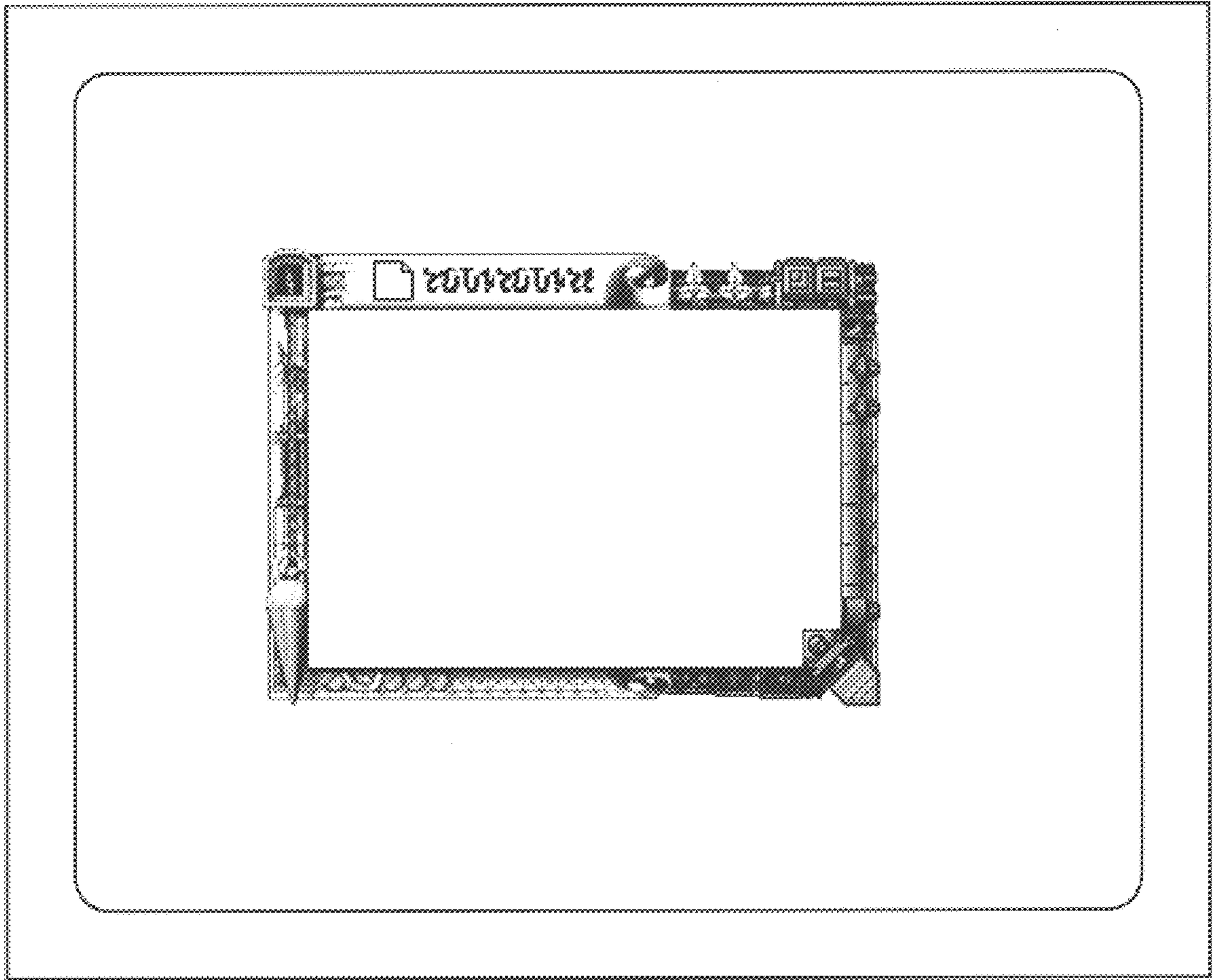


FIG. 10