



US00D433388S

# United States Patent [19]

Picozza et al.

[11] Patent Number: **Des. 433,388**

[45] Date of Patent: **\*\* Nov. 7, 2000**

[54] **SOLID STATE ELECTRIC BLANKET CONTROLLER**

D. 368,074 3/1996 Lee et al. .... D13/168  
D. 373,319 9/1996 Dziersek .... D13/168

[75] Inventors: **Augusto A. Picozza**, Boca Raton, Fla.;  
**Charles F. T. Merritt**, Southport, Conn.

*Primary Examiner*—Brian N. Vinson  
*Attorney, Agent, or Firm*—Kramer Levin Naftalis & Frankel LLP

[73] Assignee: **Sunbeam Products, Inc.**, Boca Raton, Fla.

[57] **CLAIM**

[\*\*] Term: **14 Years**

The ornamental design for a solid state electric blanket controller, as shown and described.

[21] Appl. No.: **29/105,182**

**DESCRIPTION**

[22] Filed: **May 19, 1999**

FIG. 1 is a top, right side, and front perspective view of a solid state electric blanket controller showing our new design;

[51] **LOC (7) Cl.** ..... **14-02**

[52] **U.S. Cl.** ..... **D13/168**

FIG. 2 is a top plan view thereof;

[58] **Field of Search** ..... D13/168; 340/825.31,  
340/825.57, 825.65, 825.72; 341/176; 362/109;  
348/724

FIG. 3 is a bottom plan view thereof;

FIG. 4 is a right side elevational view thereof;

FIG. 5 is a left side elevational view thereof;

FIG. 6 is front elevational view thereof; and,

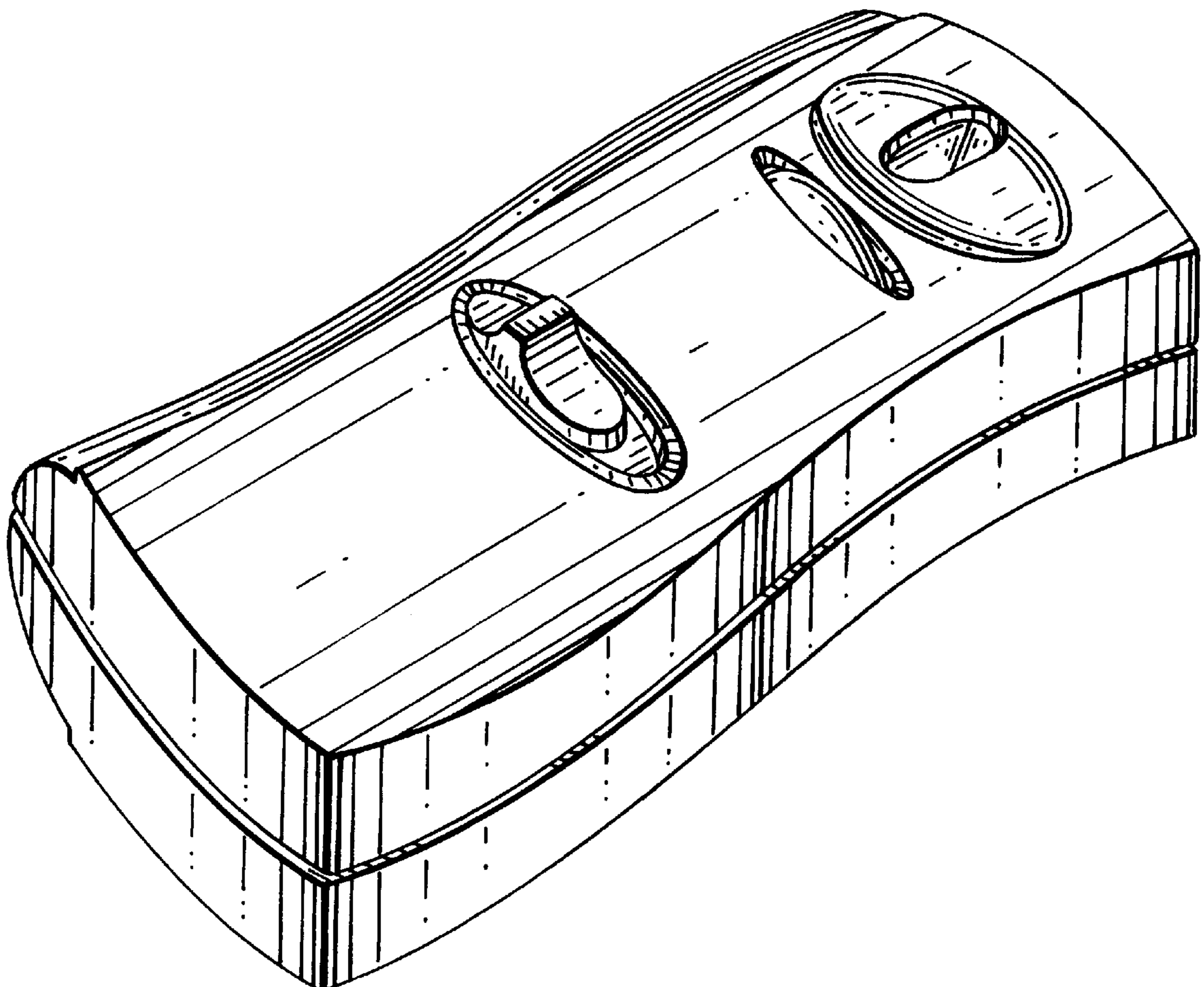
FIG. 7 is a rear elevational view thereof.

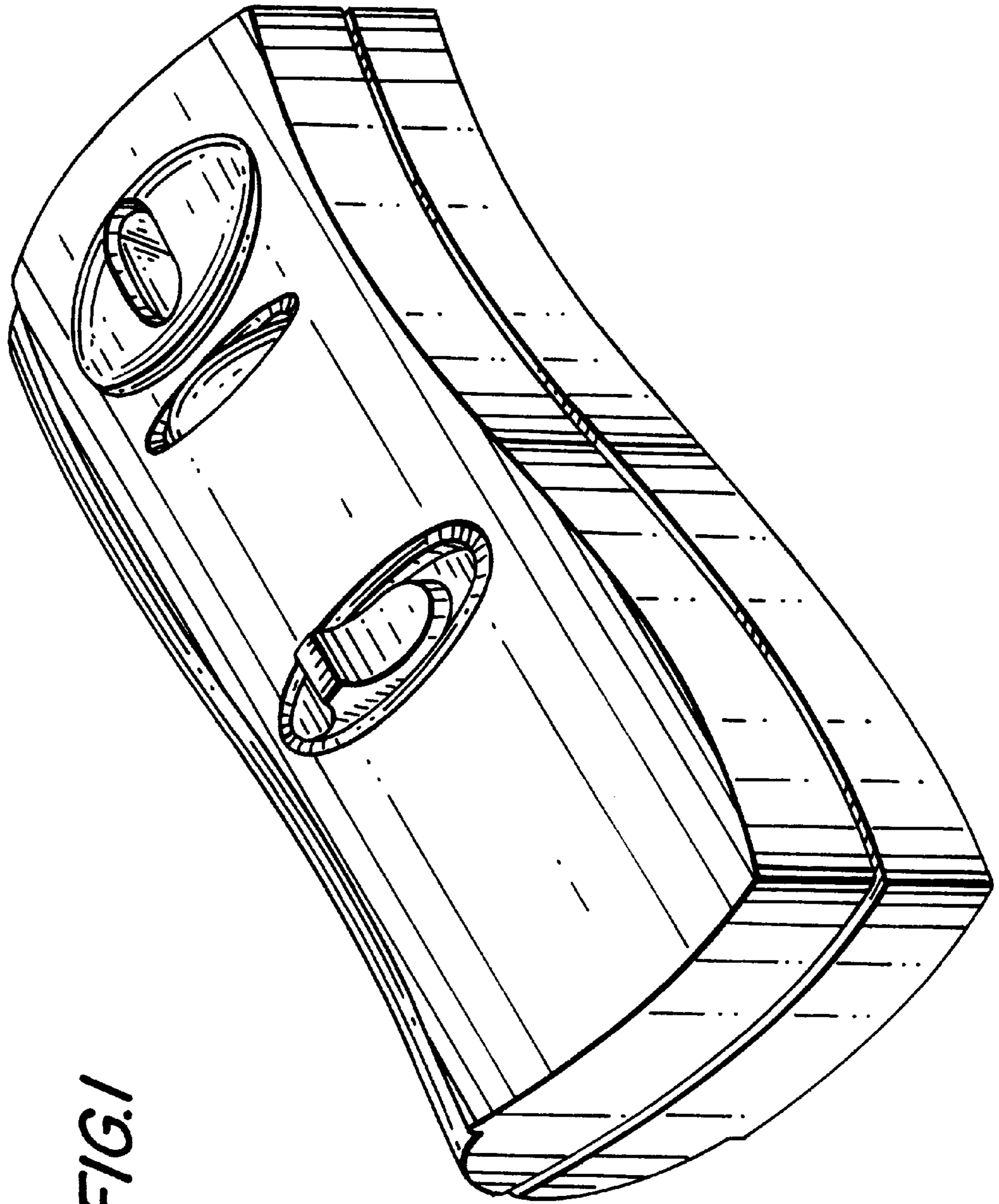
[56] **References Cited**

**U.S. PATENT DOCUMENTS**

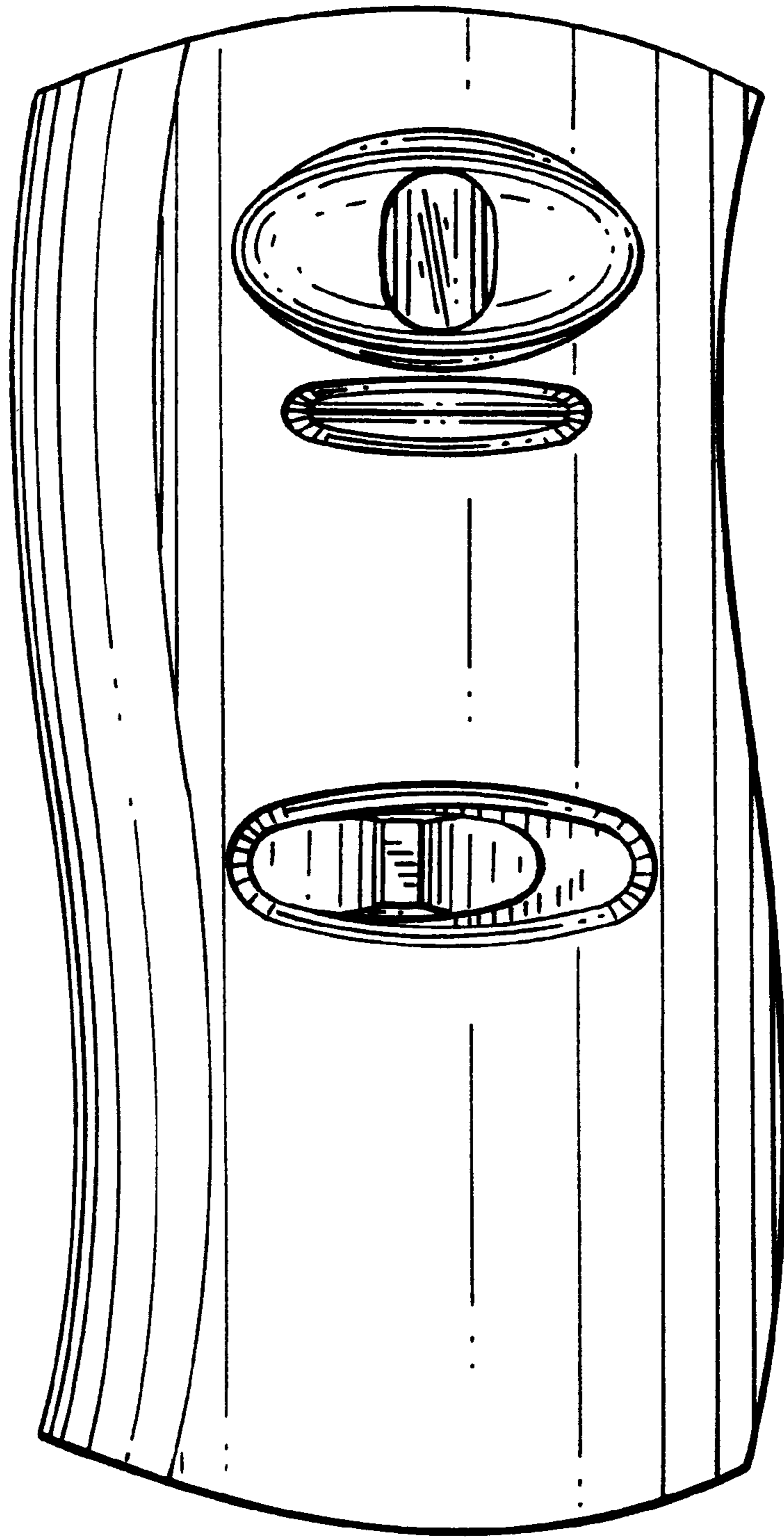
D. 341,569 11/1993 Prins et al. .... D13/168

**1 Claim, 5 Drawing Sheets**

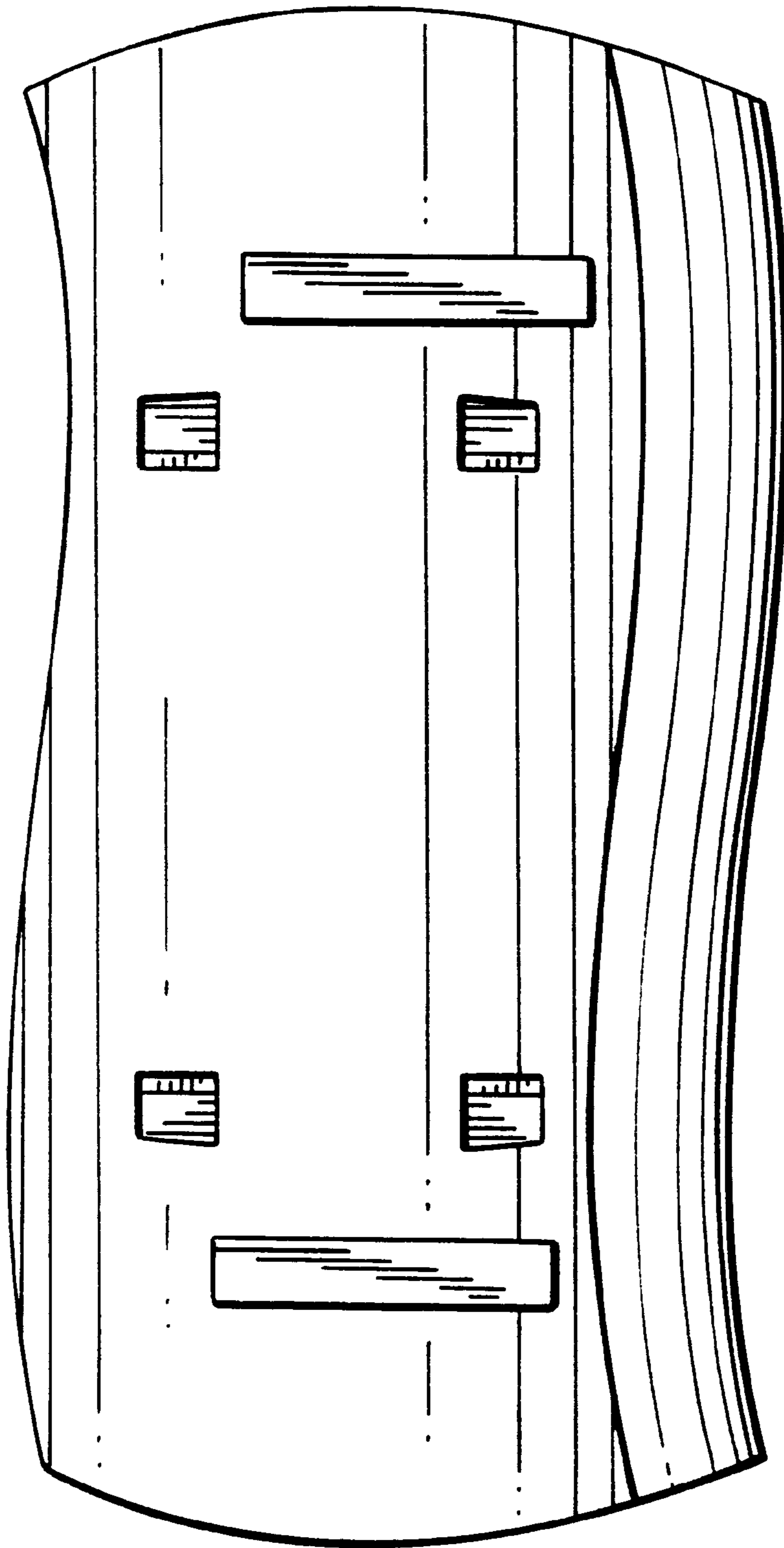




*FIG. 1*



*FIG. 2*



*FIG. 3*

FIG. 4

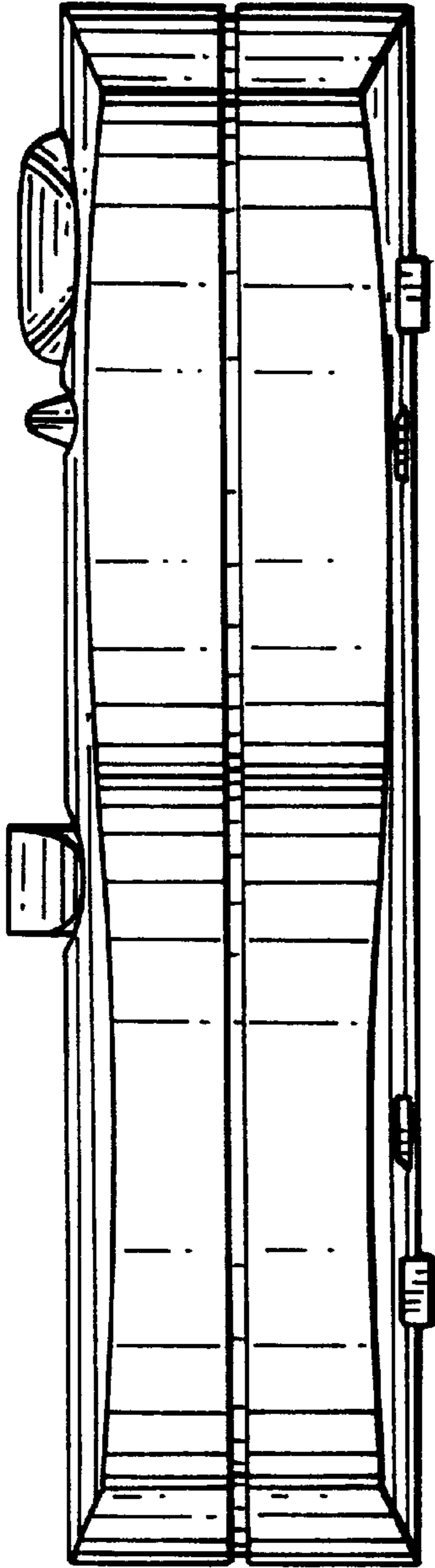
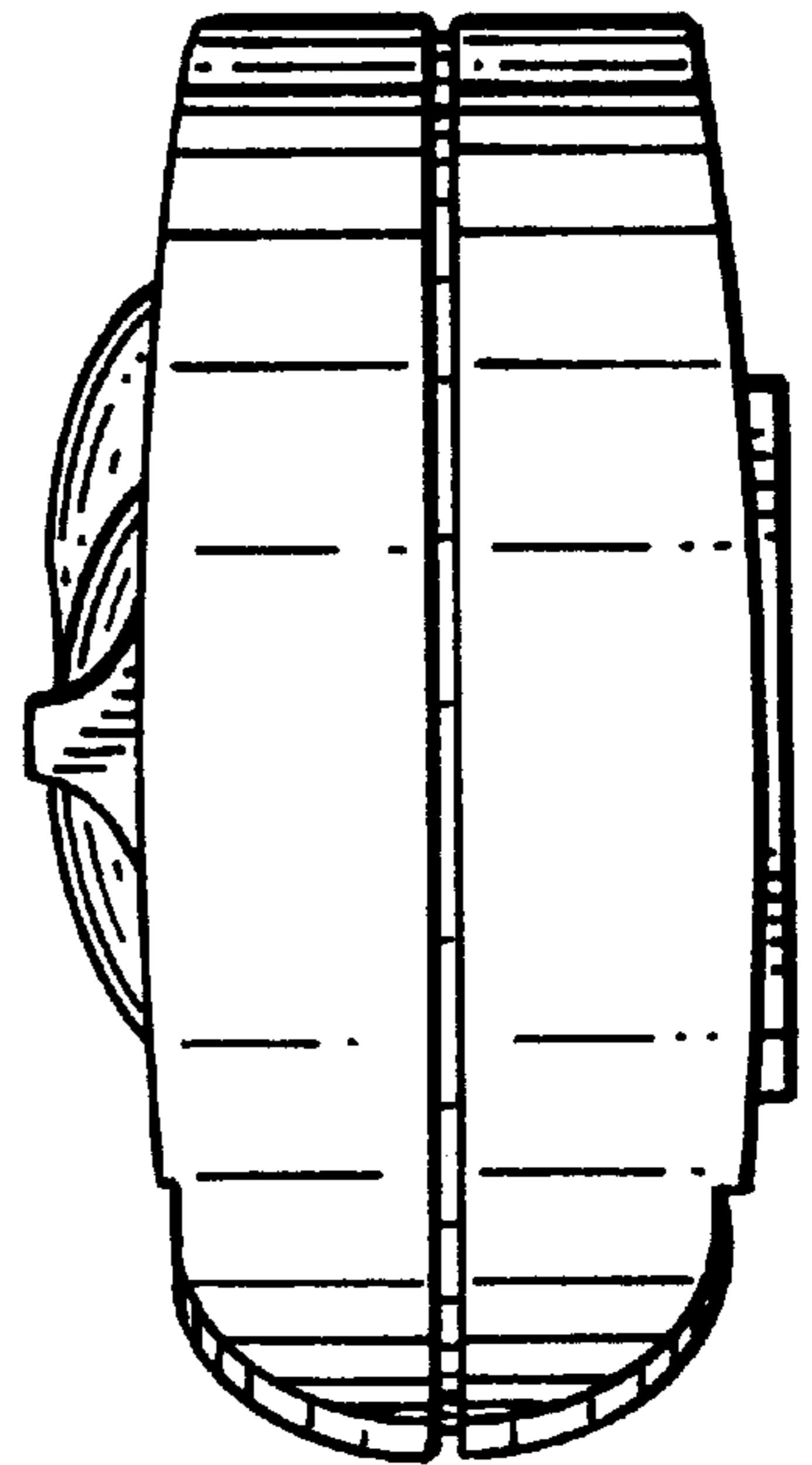


FIG. 6



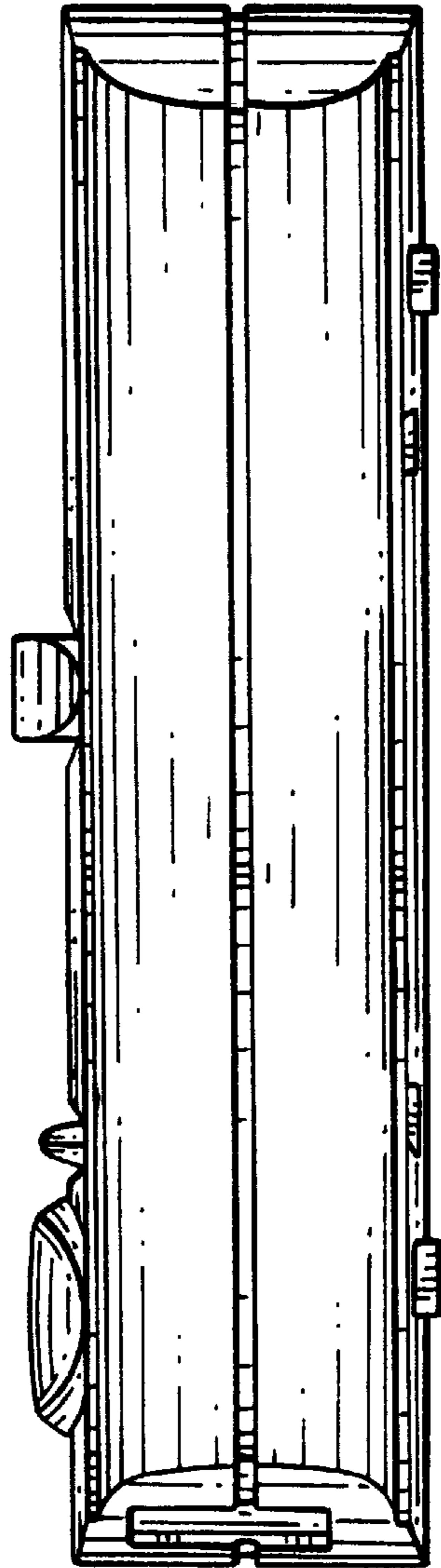


FIG. 5

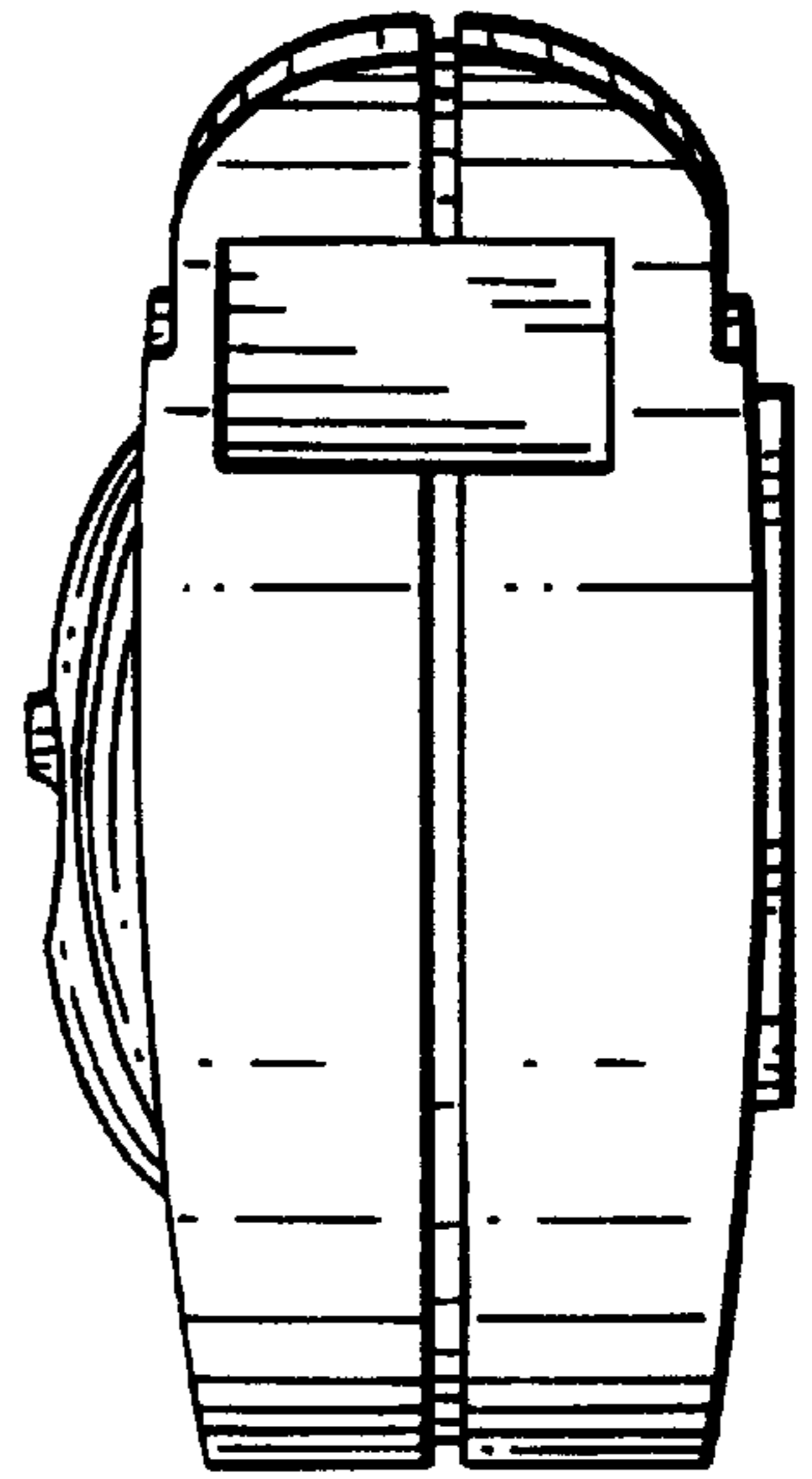


FIG. 7