



US00D433387S

# United States Patent [19]

Roth et al.

[11] Patent Number: Des. 433,387

[45] Date of Patent: \*\* Nov. 7, 2000

[54] VEHICLE BRAKE CONTROLLER WITH INTEGRAL MOUNT

[75] Inventors: Mark R. Roth, Holland; Jason A. Reichard, Scotts, both of Mich.

[73] Assignee: Tekonsha Engineering Company, Tekonsha, Mich.

[\*\*] Term: 14 Years

[21] Appl. No.: 29/114,109

[22] Filed: Nov. 18, 1999

### Related U.S. Application Data

[63] Continuation-in-part of application No. 29/097,102, Nov. 30, 1998, abandoned.

[51] LOC (7) Cl. .... 13-03

[52] U.S. Cl. .... D13/162

[58] Field of Search ..... D13/162, 164; D12/179, 192, 174; 188/3 R, 181 R; 200/61.45 R; 303/20, 24.1; 280/750, 752, 770

### [56] References Cited

#### U.S. PATENT DOCUMENTS

- D. 199,904 12/1964 Nunn .
- D. 215,158 9/1969 Ozaki .
- D. 257,973 1/1981 Reid .
- D. 322,426 12/1991 Austin .
- D. 331,226 11/1992 Austin .
- D. 356,298 3/1995 Austin .
- D. 362,659 9/1995 Hedding et al. .

- D. 378,511 3/1997 Austin .
- D. 404,365 1/1999 Robertson et al. .
- D. 407,694 4/1999 Hill et al. .... D13/162
- D. 418,822 1/2000 Worley ..... D13/162 X
- 3,780,832 12/1973 Marshall .
- 3,909,075 9/1975 Pittet, Jr. et al. .
- 3,953,084 4/1976 Pittet, Jr. et al. .
- 5,322,255 6/1994 Garrett .
- 5,333,948 8/1994 Austin et al. .
- 5,398,901 3/1995 Brodmann et al. .
- 5,615,930 4/1997 McGrath et al. .
- 5,832,840 11/1998 Woolf .

Primary Examiner—Melody N. Brown  
Attorney, Agent, or Firm—Price, Heneveld, Cooper, DeWitt & Litton

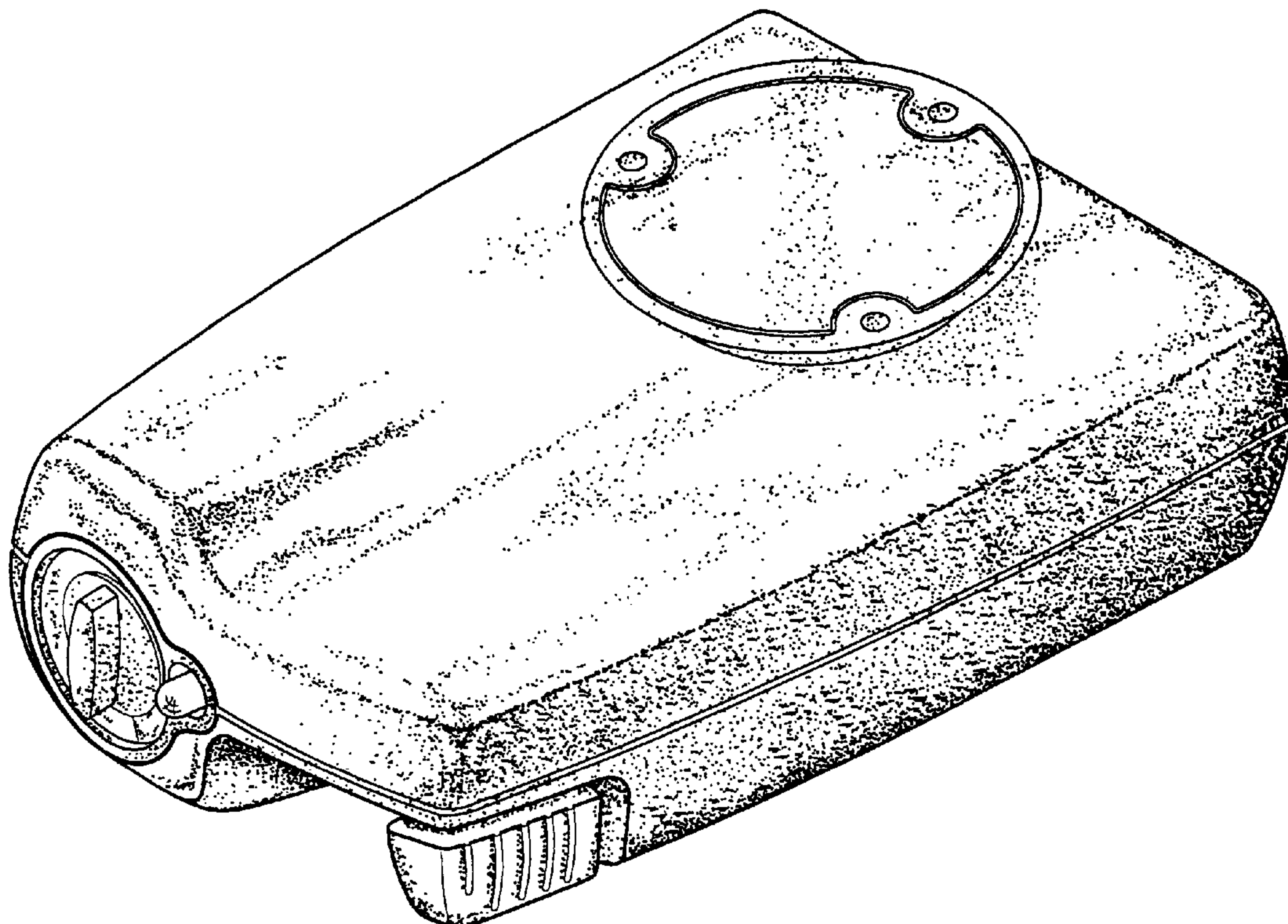
### [57] CLAIM

The ornamental design for a vehicle brake controller with integral mount, as shown and described.

### DESCRIPTION

FIG. 1 is a top, front side perspective view of a vehicle brake controller with integral mount showing our new design; FIG. 2 is a front view thereof; FIG. 3 is a rear view thereof; FIG. 4 is a side view showing the first side thereof; FIG. 5 is a another side view showing the second side, which is opposite that shown in FIG. 4; FIG. 6 is a top view thereof; FIG. 7 is a bottom view thereof; and, FIG. 8 is perspective view showing the bottom, rear, and first side thereof.

1 Claim, 4 Drawing Sheets



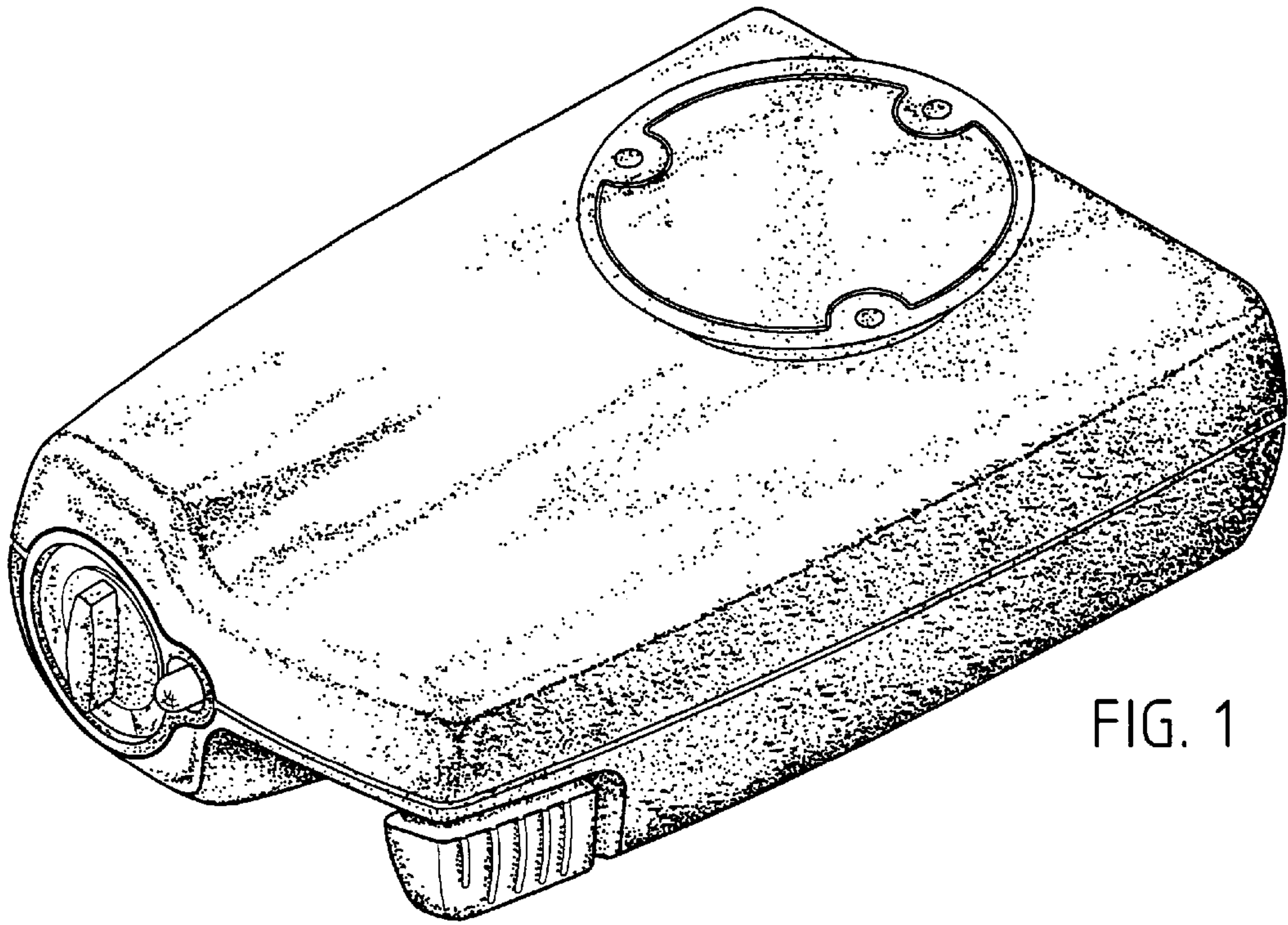


FIG. 1

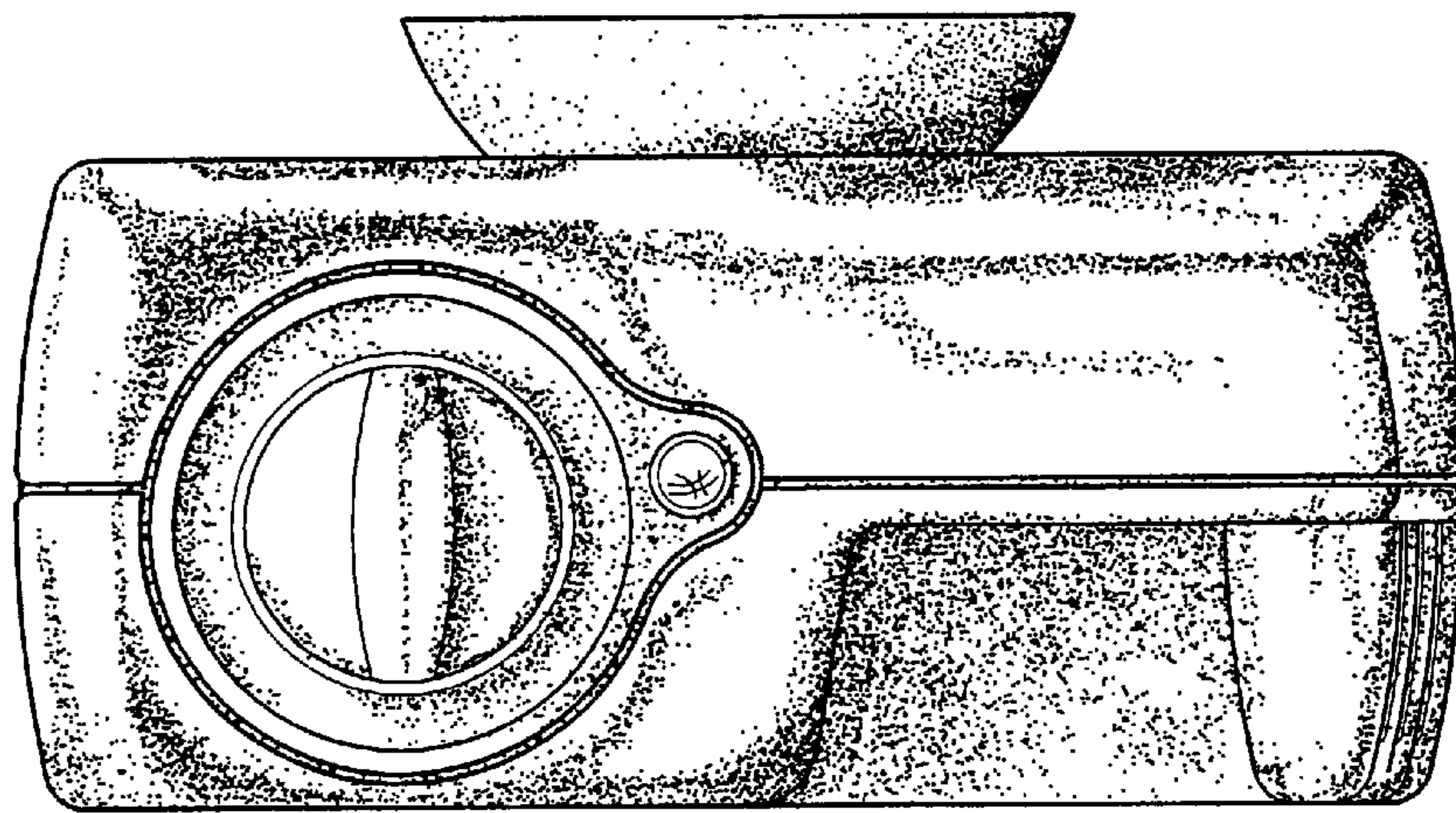


FIG. 2



FIG. 3

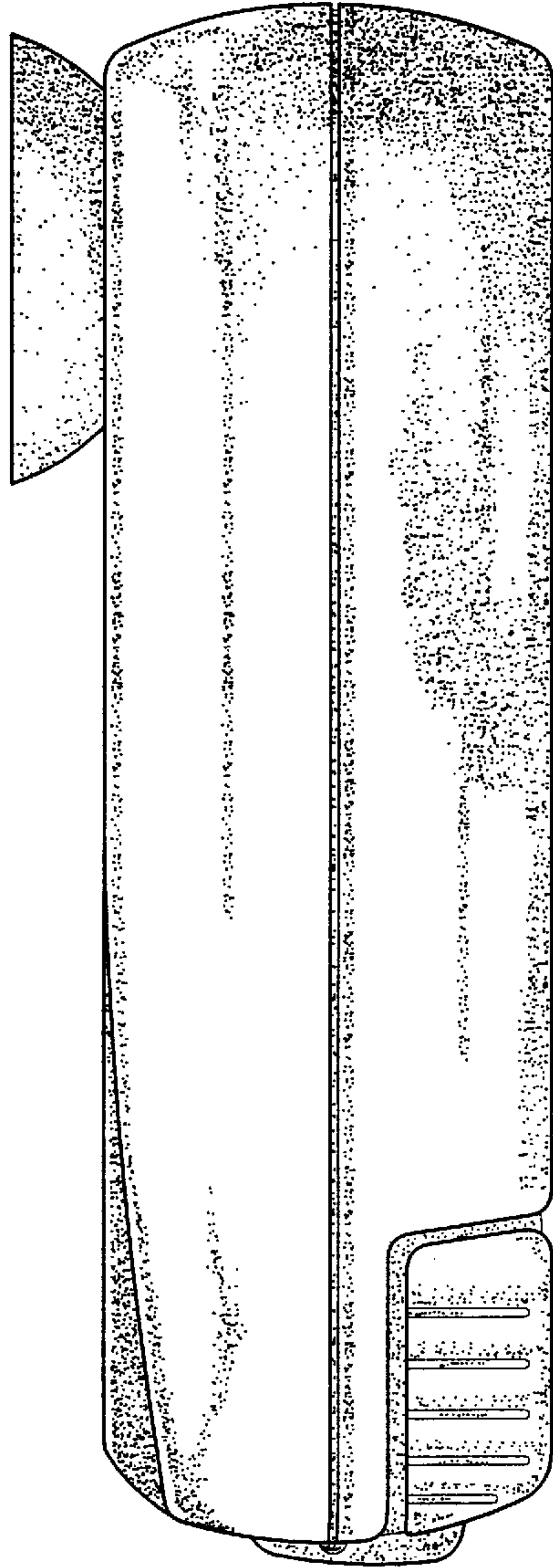
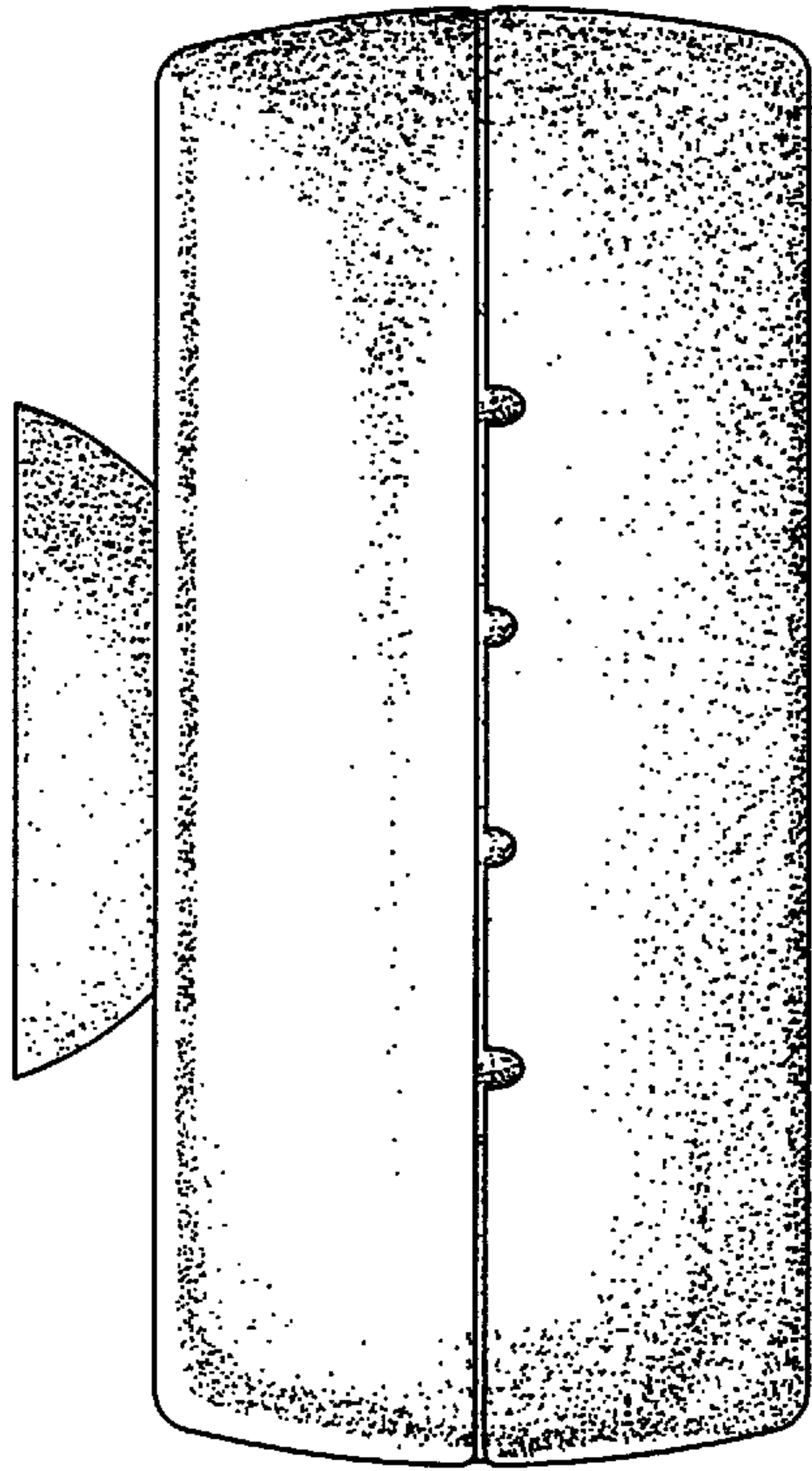


FIG. 4

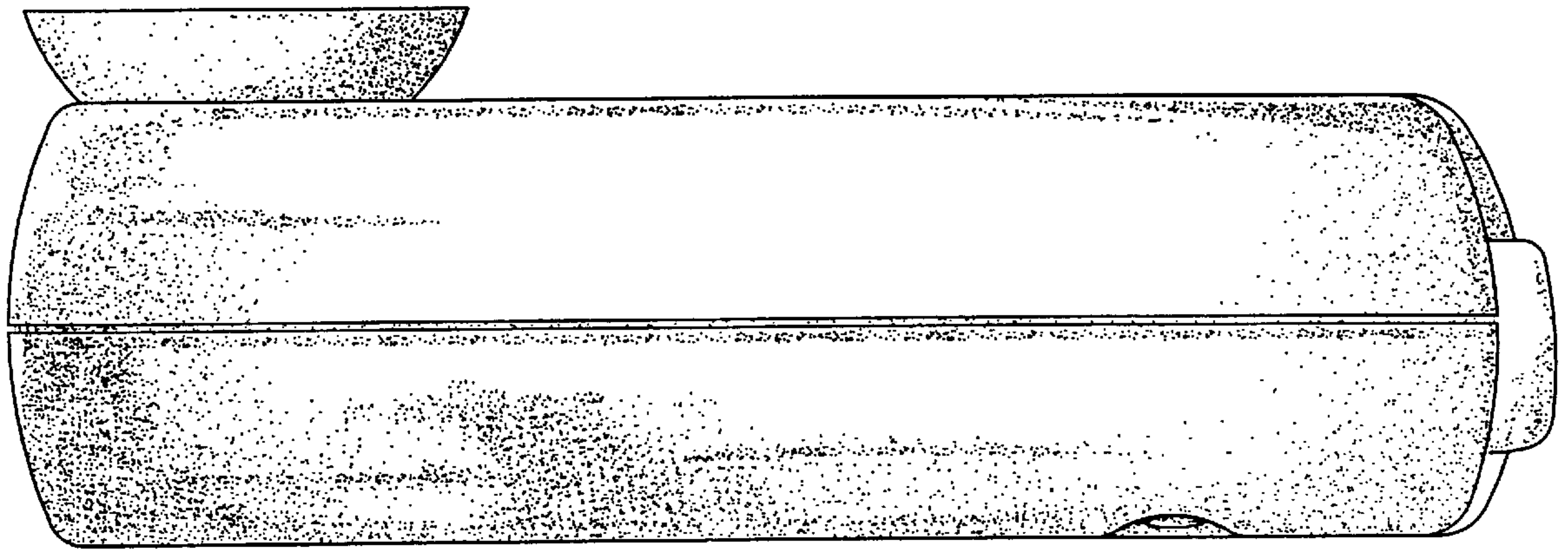


FIG. 5

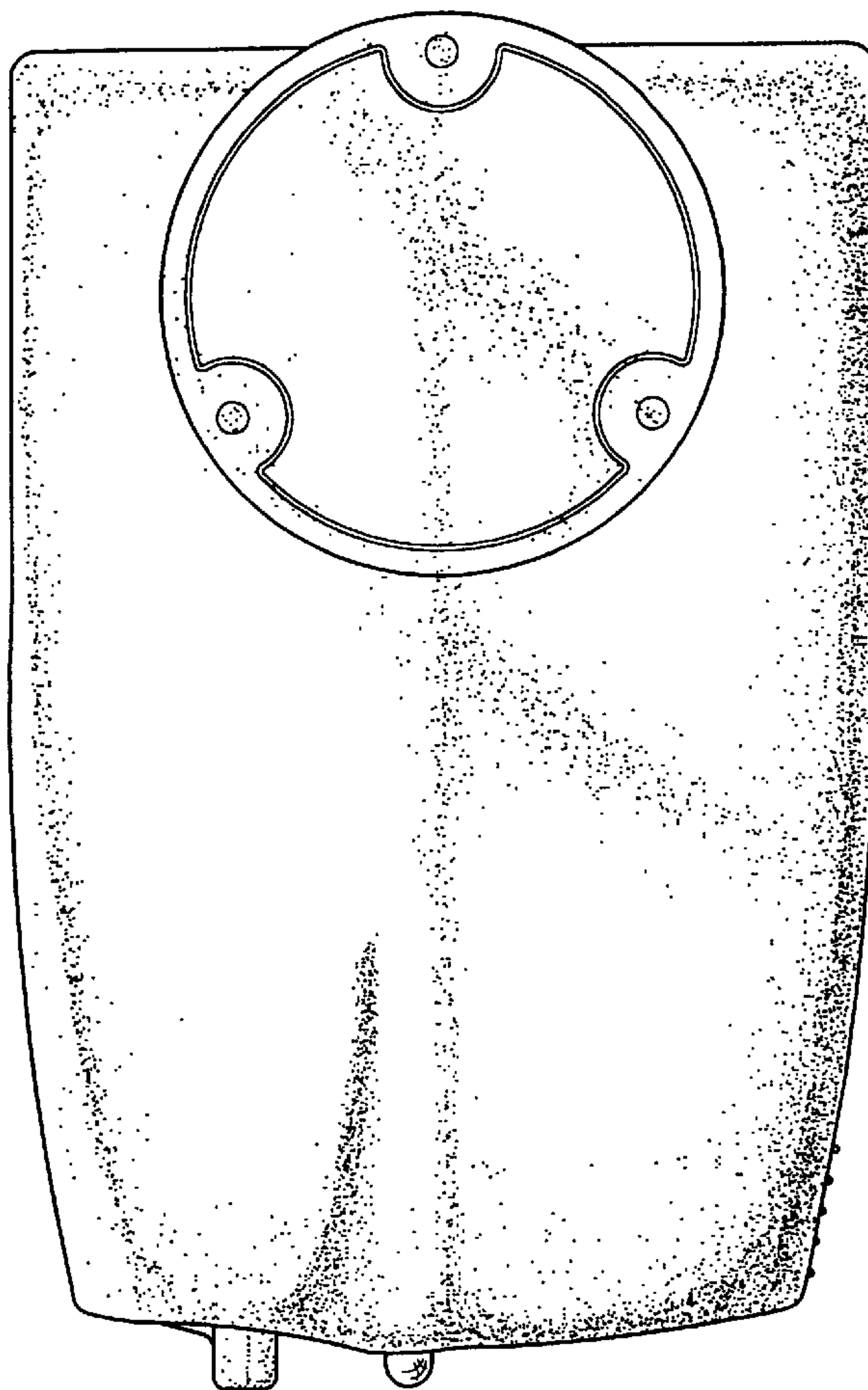


FIG. 6



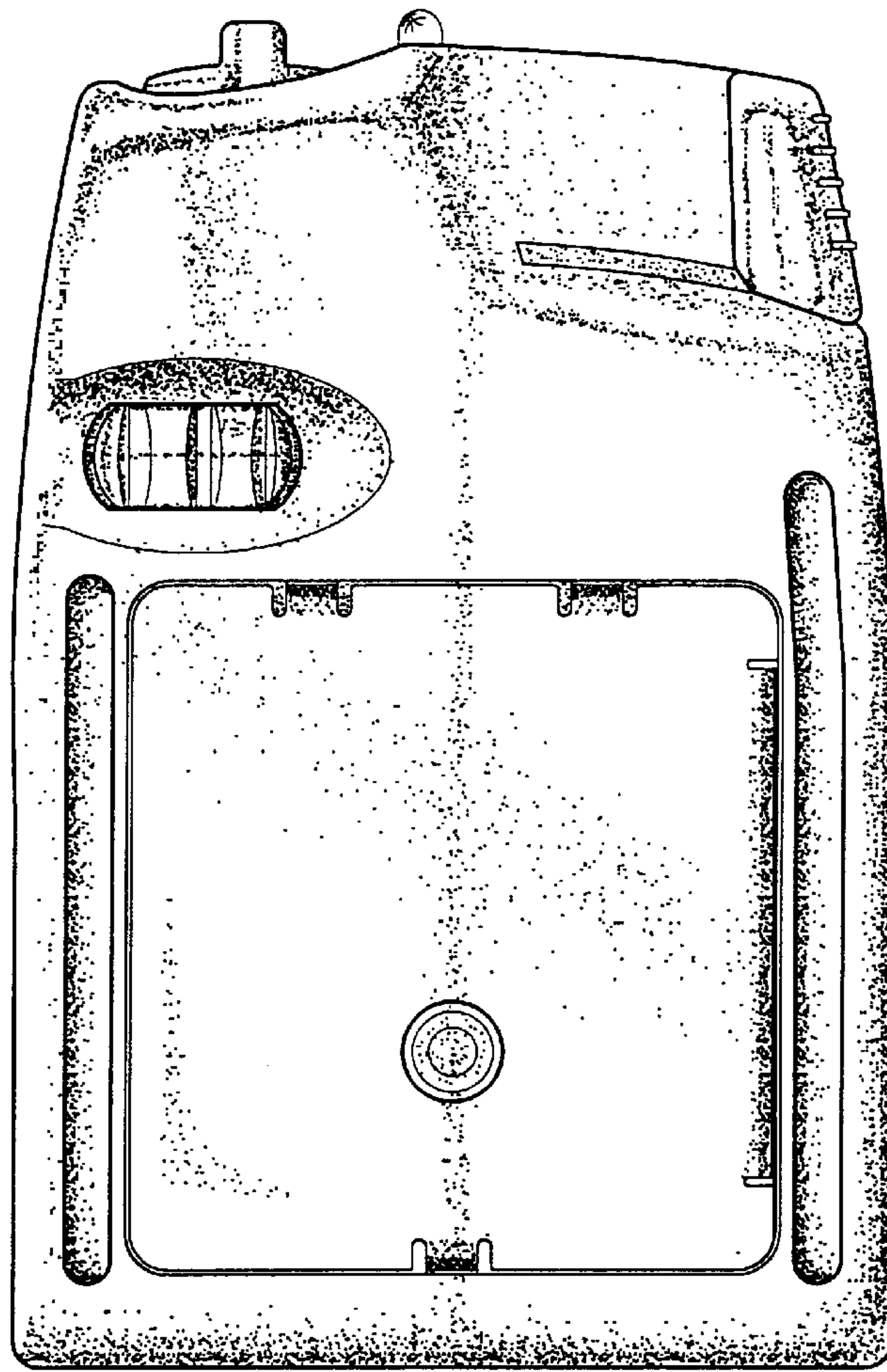


FIG. 7

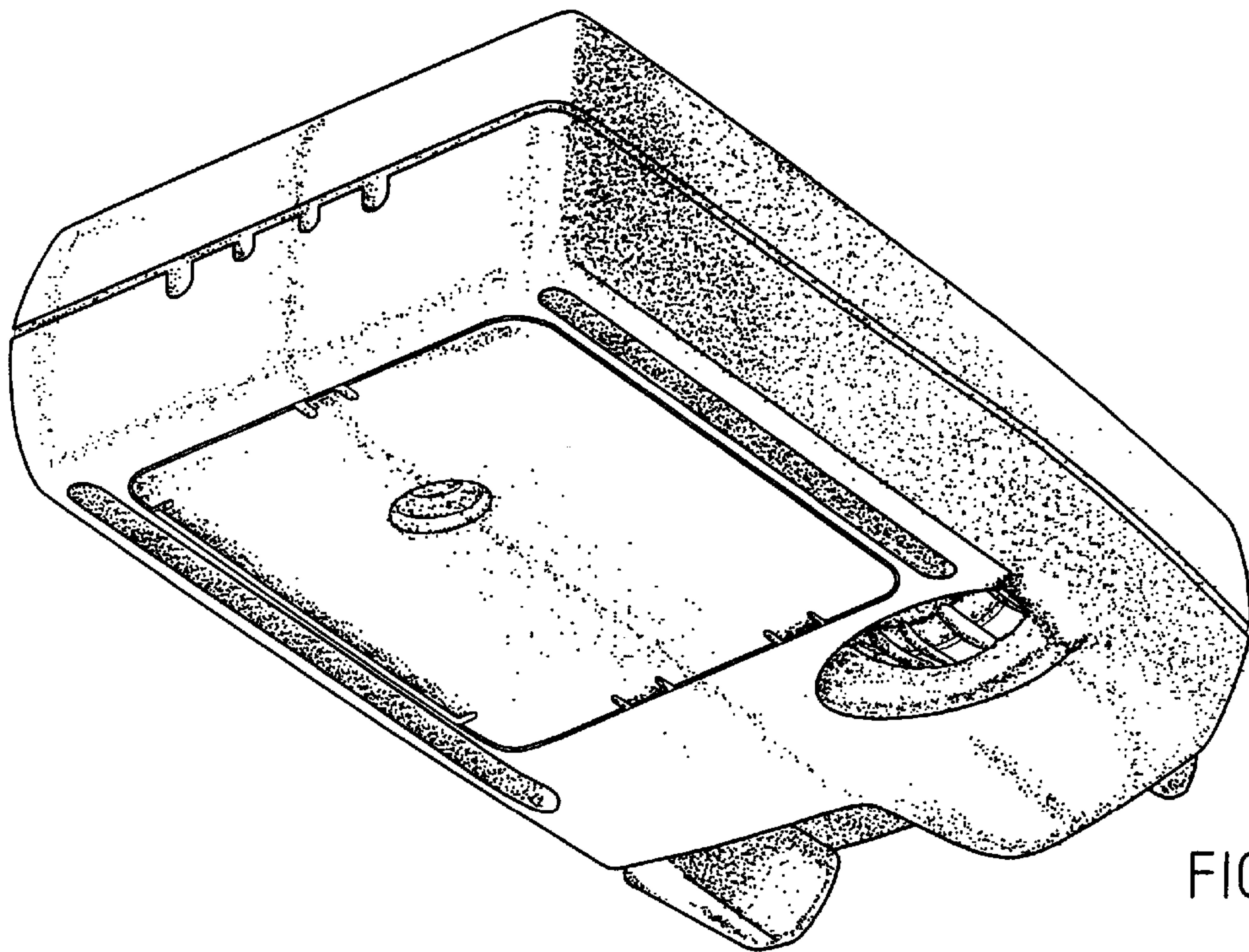


FIG. 8