



US00D433384S

United States Patent [19] Wu

[11] **Patent Number: Des. 433,384**

[45] **Date of Patent: ** Nov. 7, 2000**

[54] **STACKED CONNECTOR**

[75] Inventor: **Jerry Wu, Tu-Chen, Taiwan**

[73] Assignee: **Hon Hai Precision Ind. Co., Ltd.,
Taipei Hsien, Taiwan**

[**] Term: **14 Years**

[21] Appl. No.: **29/123,094**

[22] Filed: **May 9, 2000**

[51] **LOC (7) Cl. 13-03**

[52] **U.S. Cl. D13/147**

[58] **Field of Search D13/146, 147;
439/638, 639, 540.1, 541.5**

[56] **References Cited**

U.S. PATENT DOCUMENTS

| | | | | |
|------------|---------|---------------|-------|-------------|
| D. 305,224 | 12/1989 | Iwashita | | D13/147 |
| D. 411,174 | 6/1999 | Huang | | D13/147 |
| D. 414,162 | 9/1999 | Huang | | D13/147 |
| 5,080,609 | 1/1992 | Fabian et al. | | 439/451.5 |
| 5,085,590 | 2/1992 | Galloway | | 439/541.5 X |

| | | | | |
|-----------|---------|-----------------|-------|-----------|
| 5,213,515 | 5/1993 | Ishikawa et al. | | 439/79 |
| 5,336,109 | 8/1994 | Hillbish et al. | | 439/541.5 |
| 5,733,143 | 3/1998 | Ward et al. | | 439/541.5 |
| 5,823,822 | 10/1998 | Tan et al. | | 439/541.5 |
| 6,074,248 | 6/2000 | Huang | | 439/541.5 |

Primary Examiner—Joel Sincavage
Attorney, Agent, or Firm—Wei Te Chung

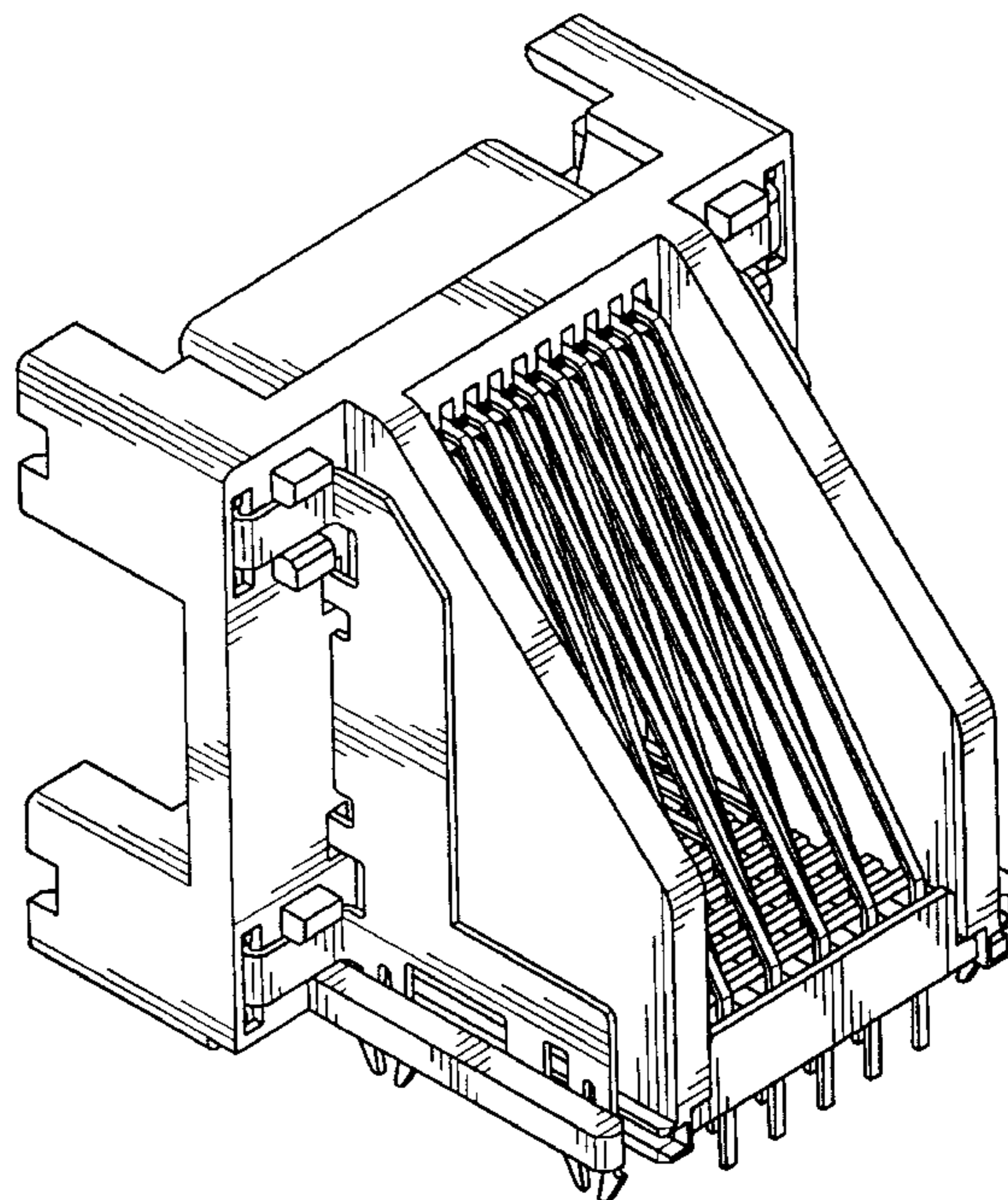
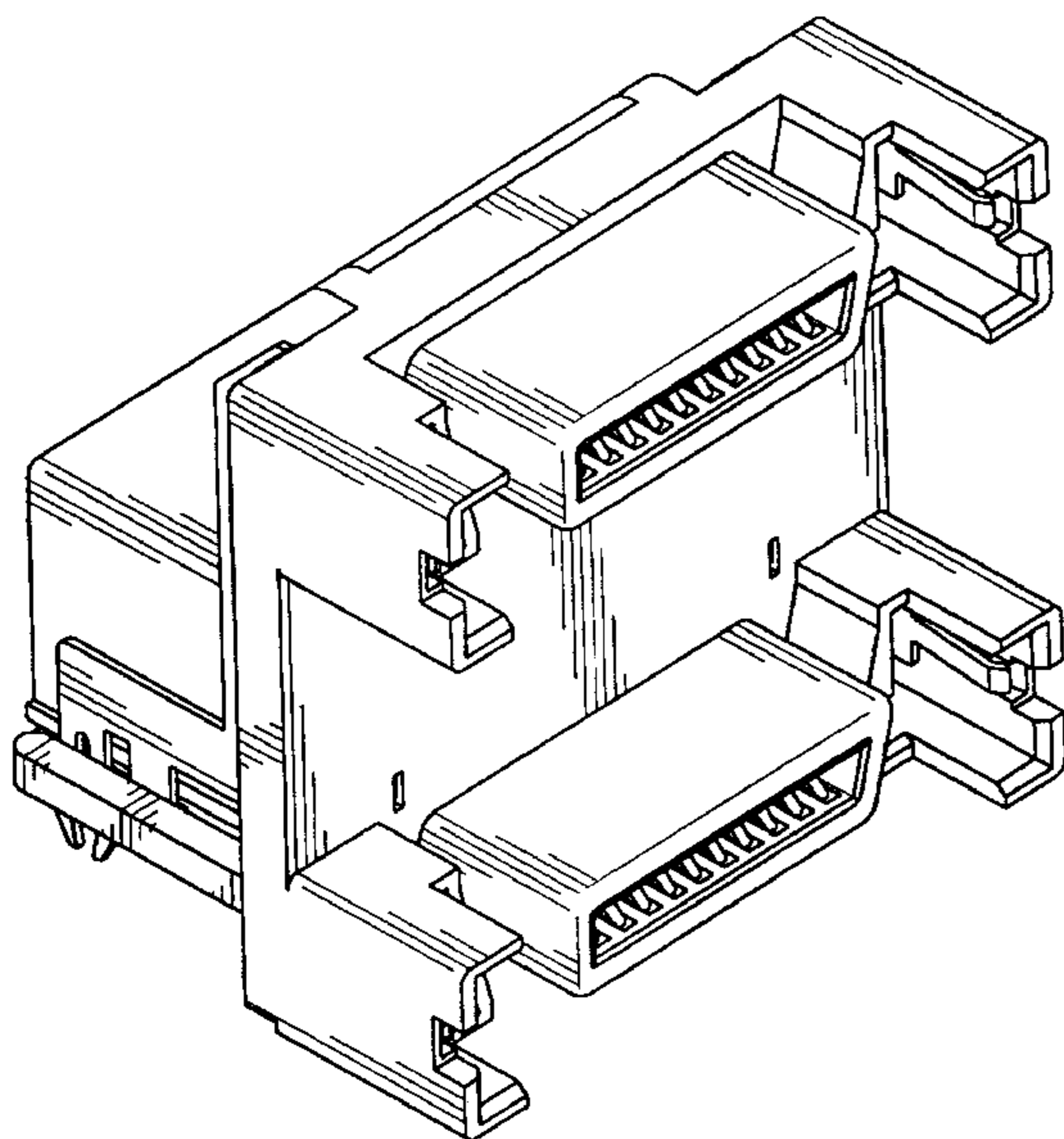
[57] **CLAIM**

The ornamental design for a stacked connector, as shown.

DESCRIPTION

FIG. 1 is a front, top and left side perspective view of a stacked connector showing my new design; FIG. 2 is a front elevational view thereof; FIG. 3 is a rear elevational view thereof; FIG. 4 is a left side elevational view thereof; FIG. 5 is a right side elevational view thereof; FIG. 6 is a top plan view thereof; FIG. 7 is a bottom plan view thereof; and, FIG. 8 is a rear, top and right side perspective view thereof.

1 Claim, 8 Drawing Sheets



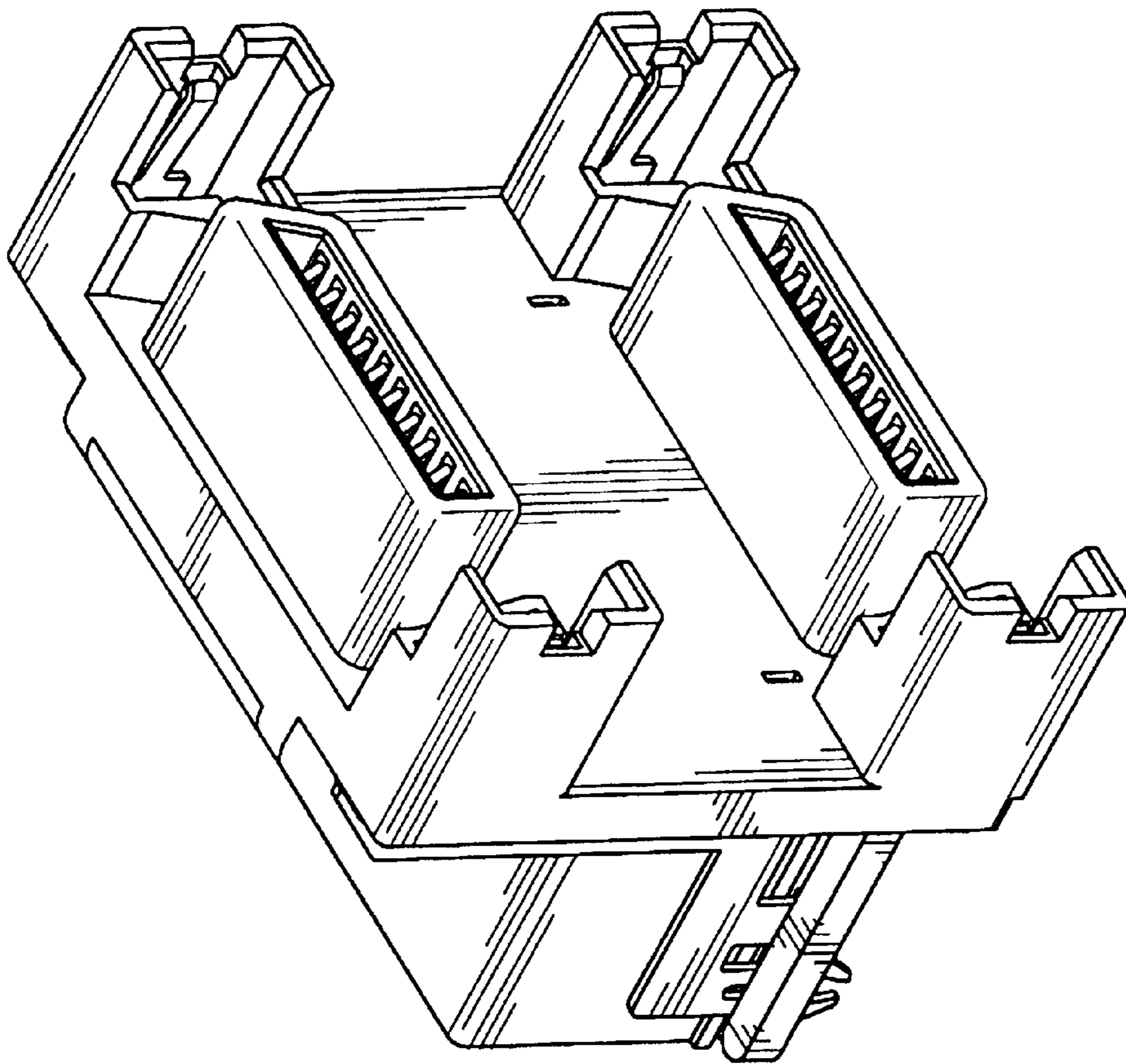


FIG. 1

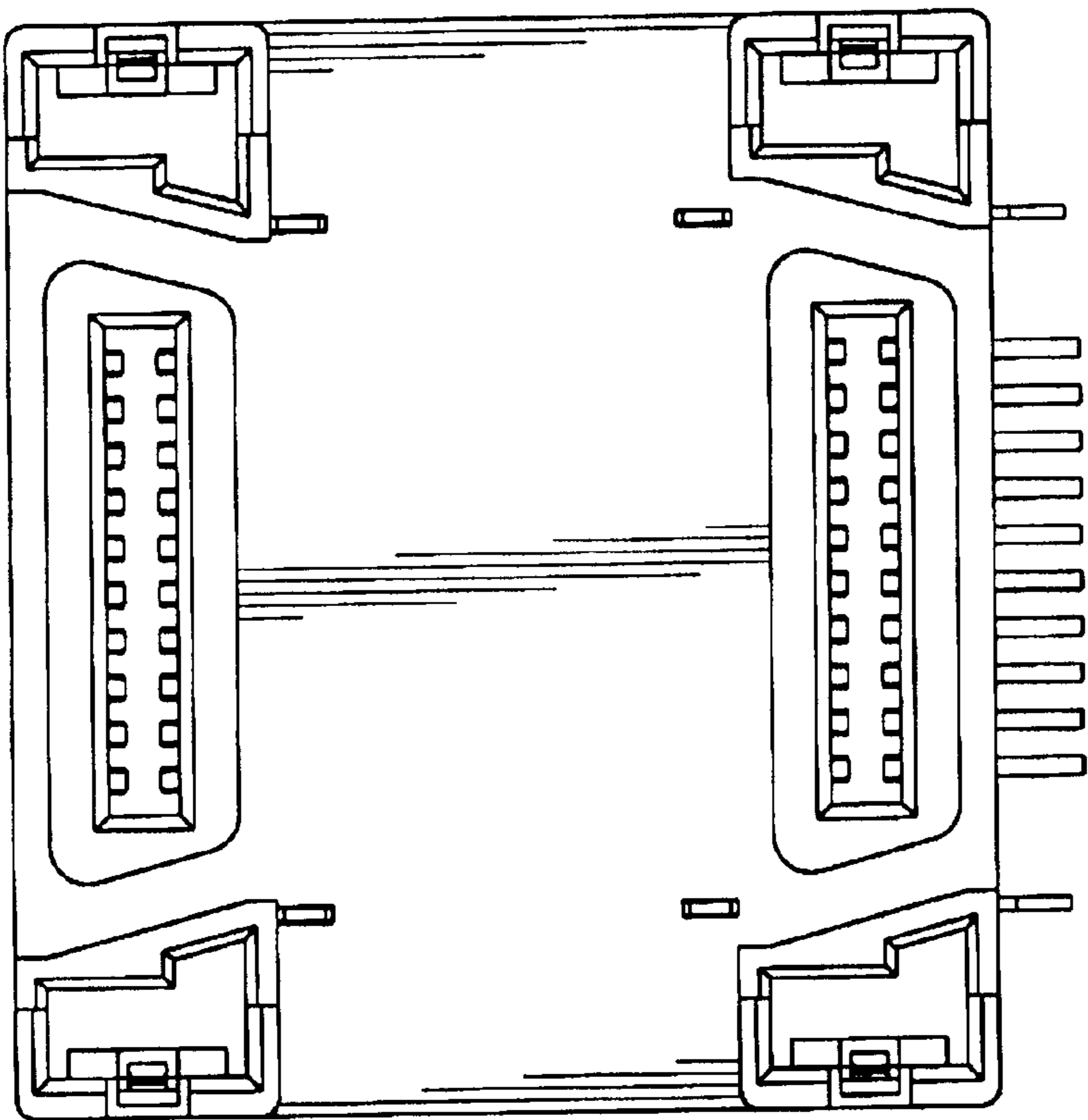


FIG. 2

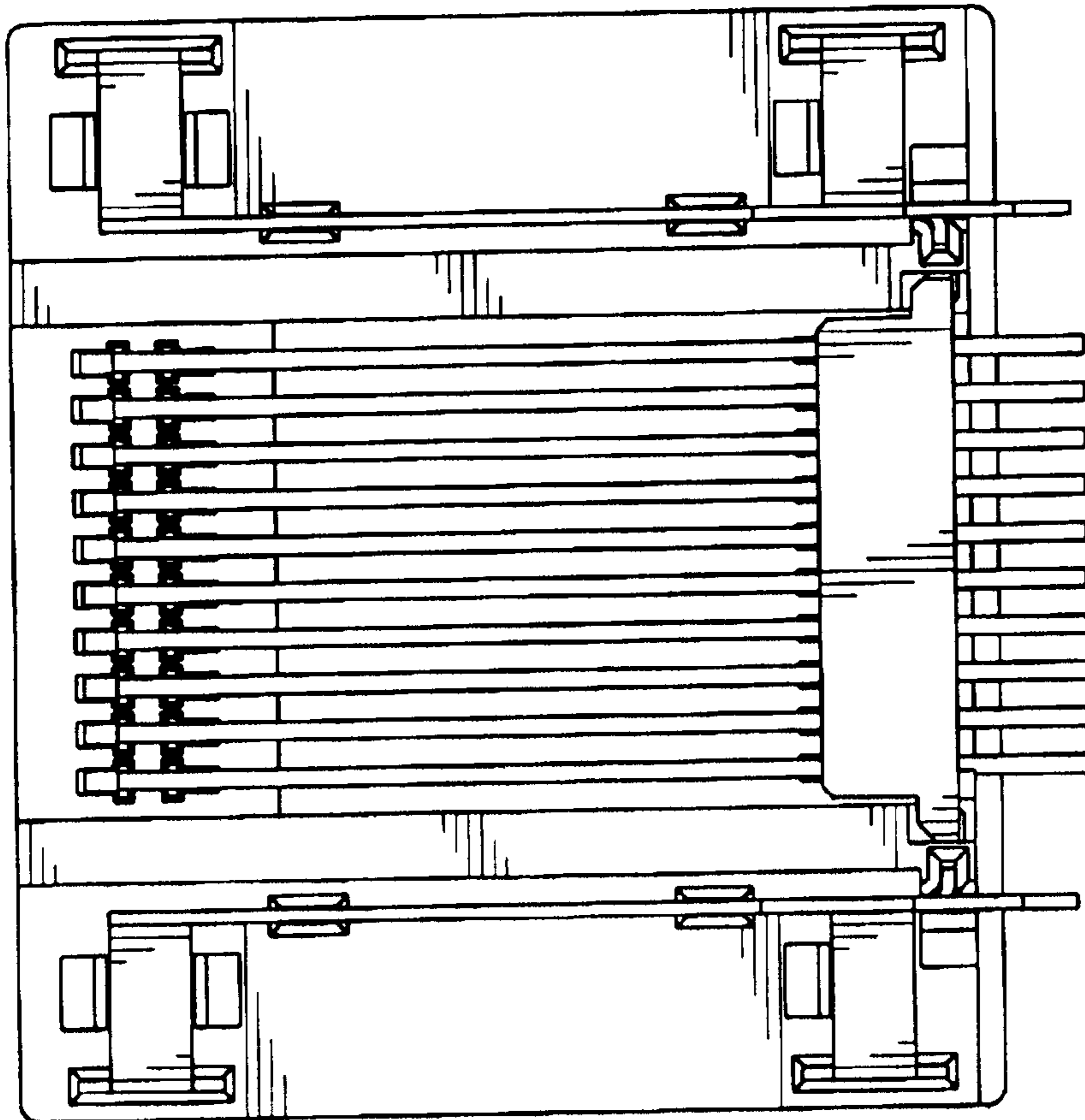


FIG. 3

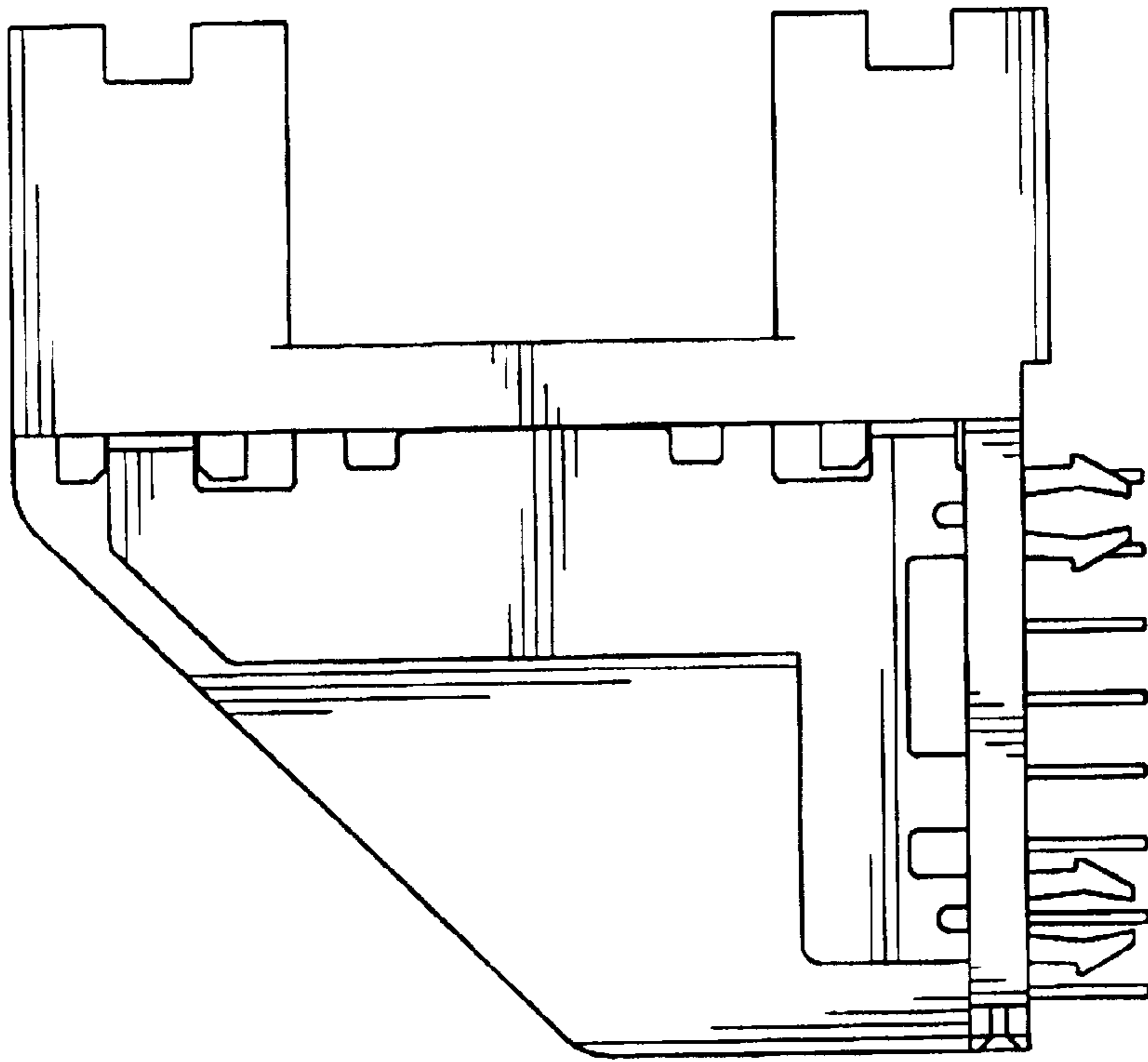


FIG. 4

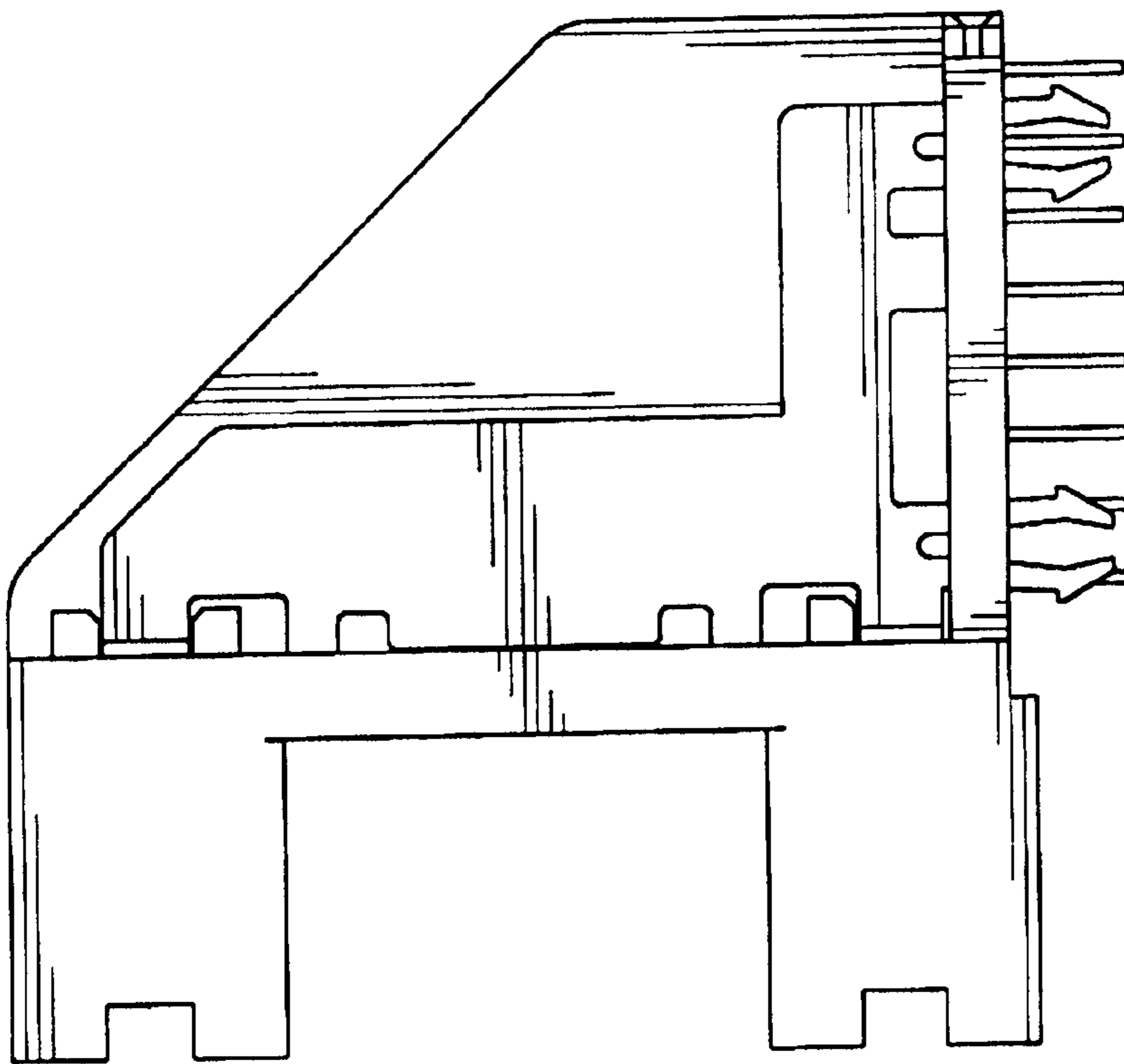


FIG. 5

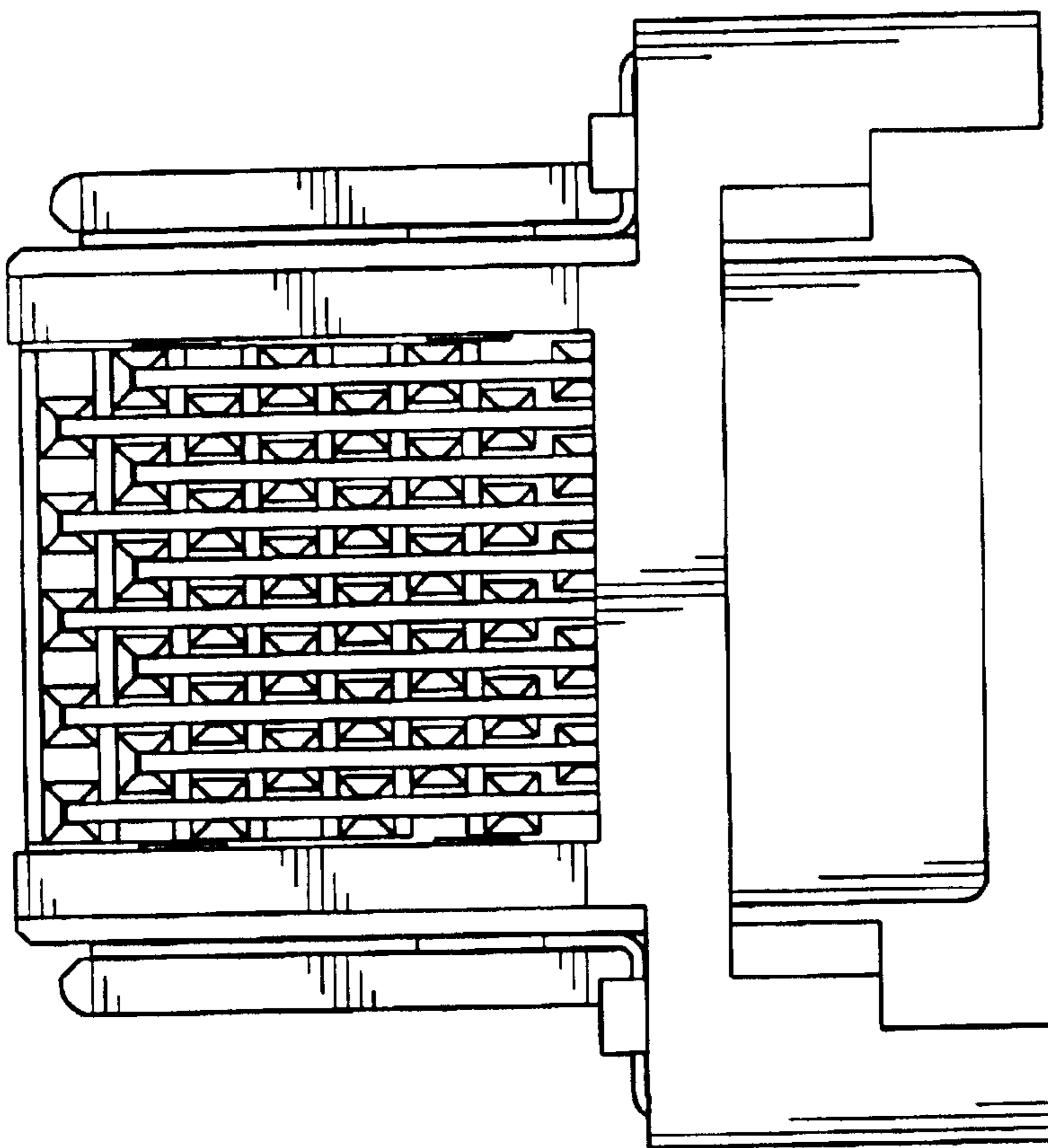


FIG. 6

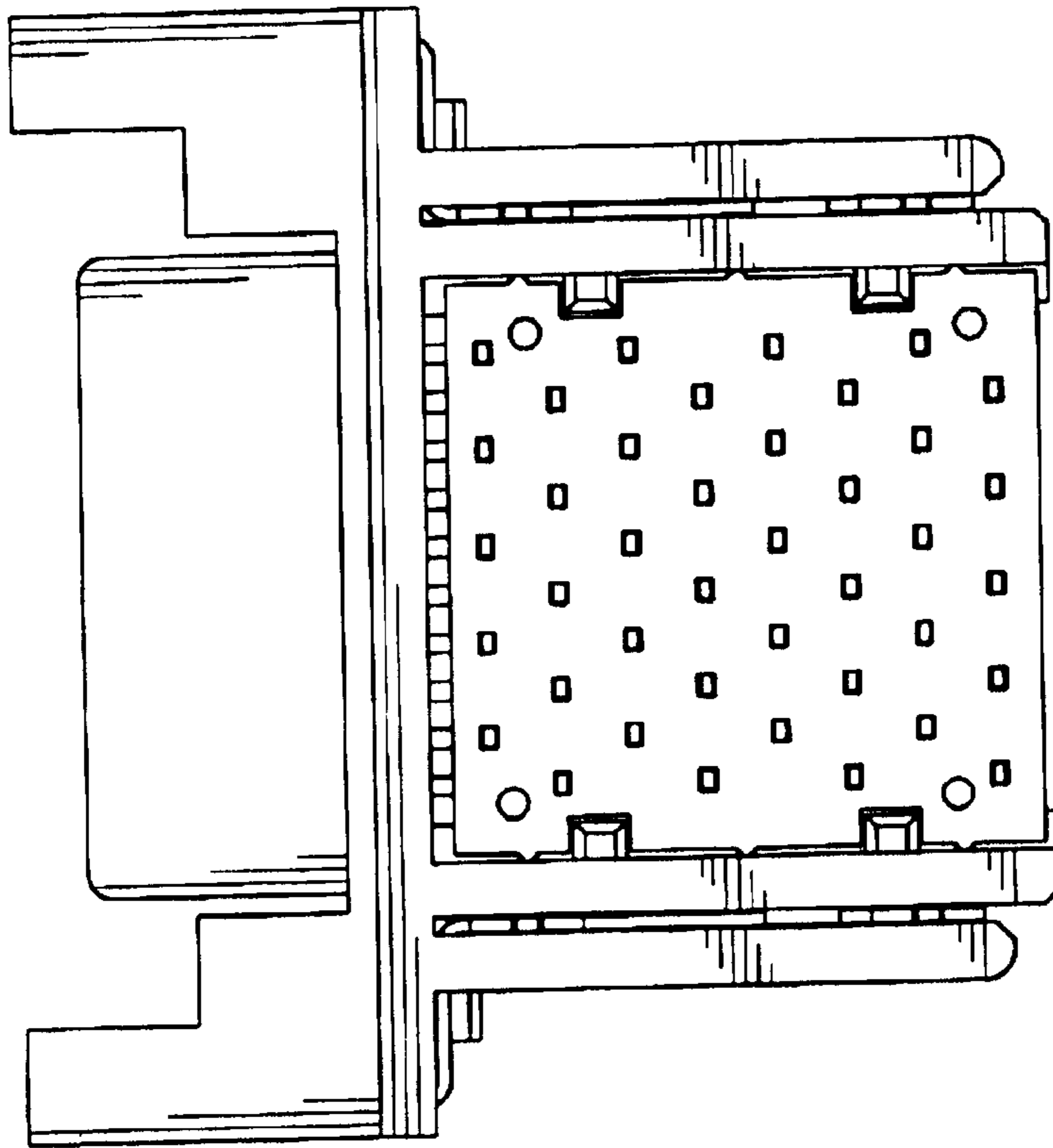


FIG. 7

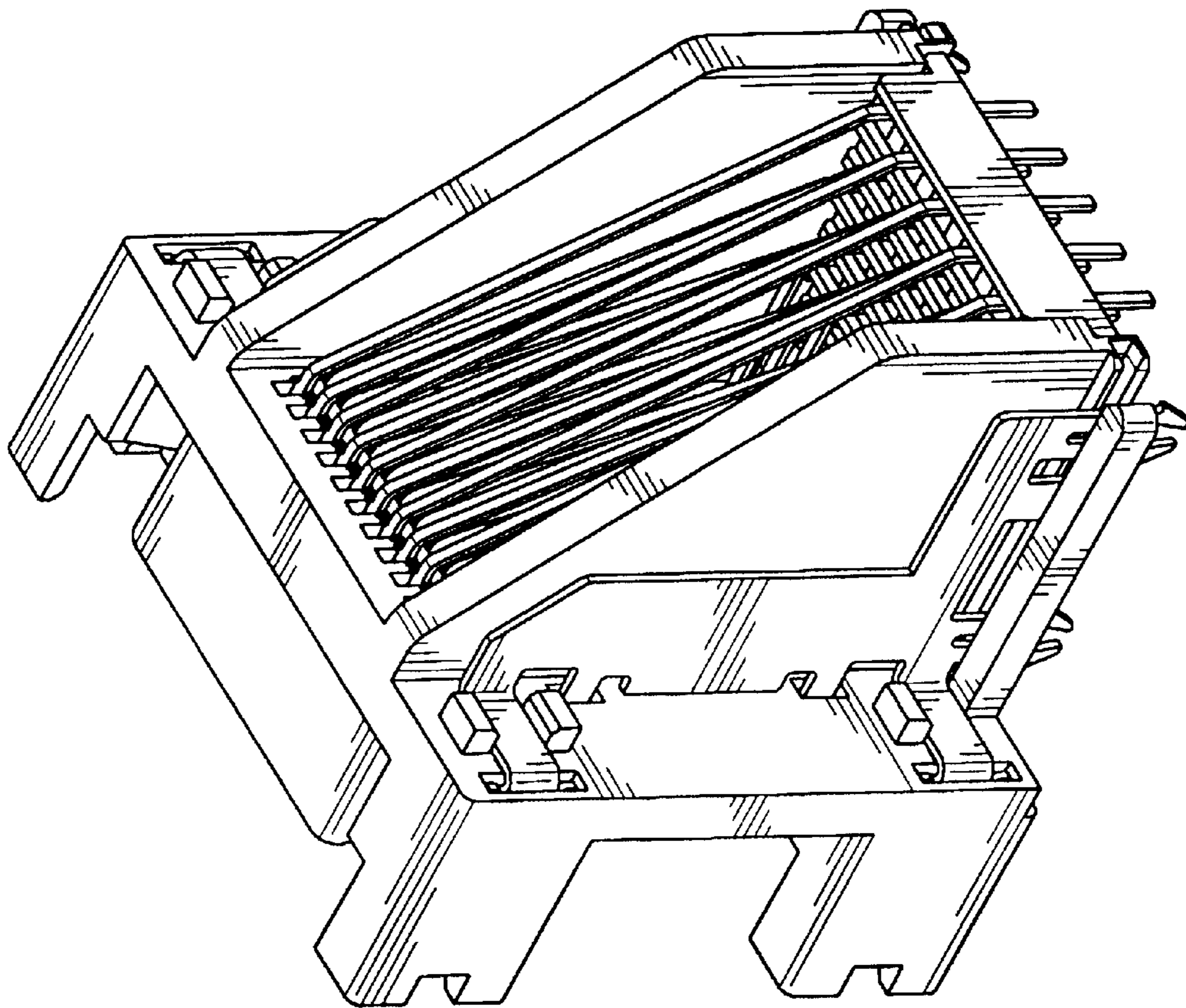


FIG. 8