



US00D433383S

United States Patent [19]

Lee

[11] **Patent Number: Des. 433,383**

[45] **Date of Patent: ** Nov. 7, 2000**

[54] **ELECTRICAL CONNECTOR**

[75] Inventor: **George Lee**, Taipei, Taiwan

[73] Assignee: **Hon Hai Precision Ind. Co., Ltd.**,
Taipei Hsien, Taiwan

[**] Term: **14 Years**

[21] Appl. No.: **29/122,554**

[22] Filed: **Apr. 27, 2000**

[51] **LOC (7) Cl.** **13-03**

[52] **U.S. Cl.** **D13/147**

[58] **Field of Search** D13/133, 146,
D13/147; 439/79, 573, 682, 701, 567

[56] **References Cited**

U.S. PATENT DOCUMENTS

4,915,641 4/1990 Miskin et al. 439/701 X
5,083,942 1/1992 Hahn 439/567

5,674,094 10/1997 Hutchinson, Jr. et al. 439/680
5,759,066 6/1998 Okabe 439/682 X
5,961,339 10/1999 Koopman et al. 439/571 X
6,004,163 12/1999 Behling et al. 439/701

Primary Examiner—Joel Sincavage
Attorney, Agent, or Firm—Wei Te Chung

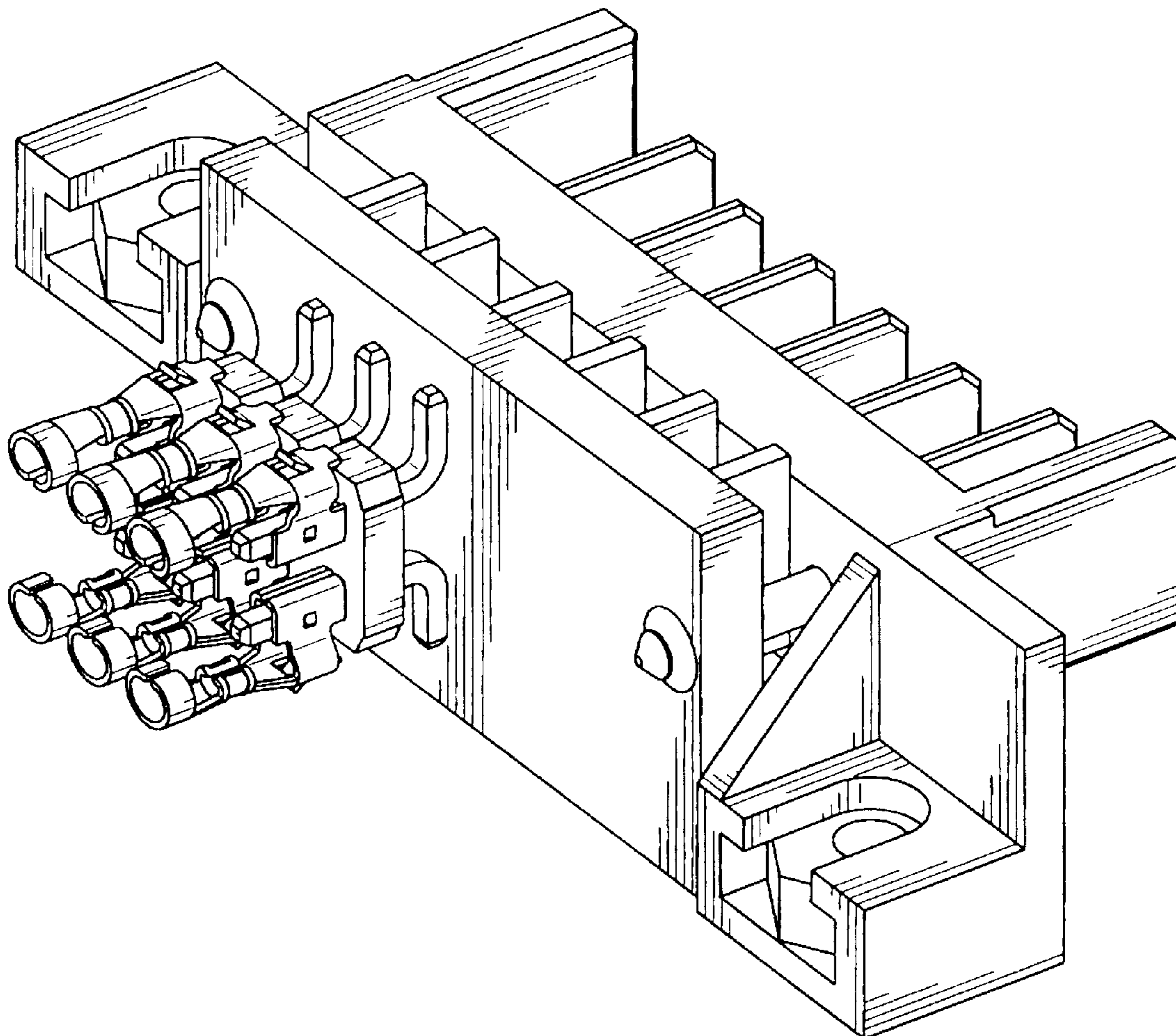
[57] **CLAIM**

The ornamental design for an electrical connector, as shown.

DESCRIPTION

FIG. 1 is a front, top and right side perspective view of an adaptor showing our new design;
FIG. 2 is a front elevational view thereof;
FIG. 3 is a rear elevational view thereof;
FIG. 4 is a left side elevational view thereof;
FIG. 5 is a right side elevational view thereof;
FIG. 6 is a top plan view thereof; and,
FIG. 7 is a bottom plan view thereof.

1 Claim, 7 Drawing Sheets



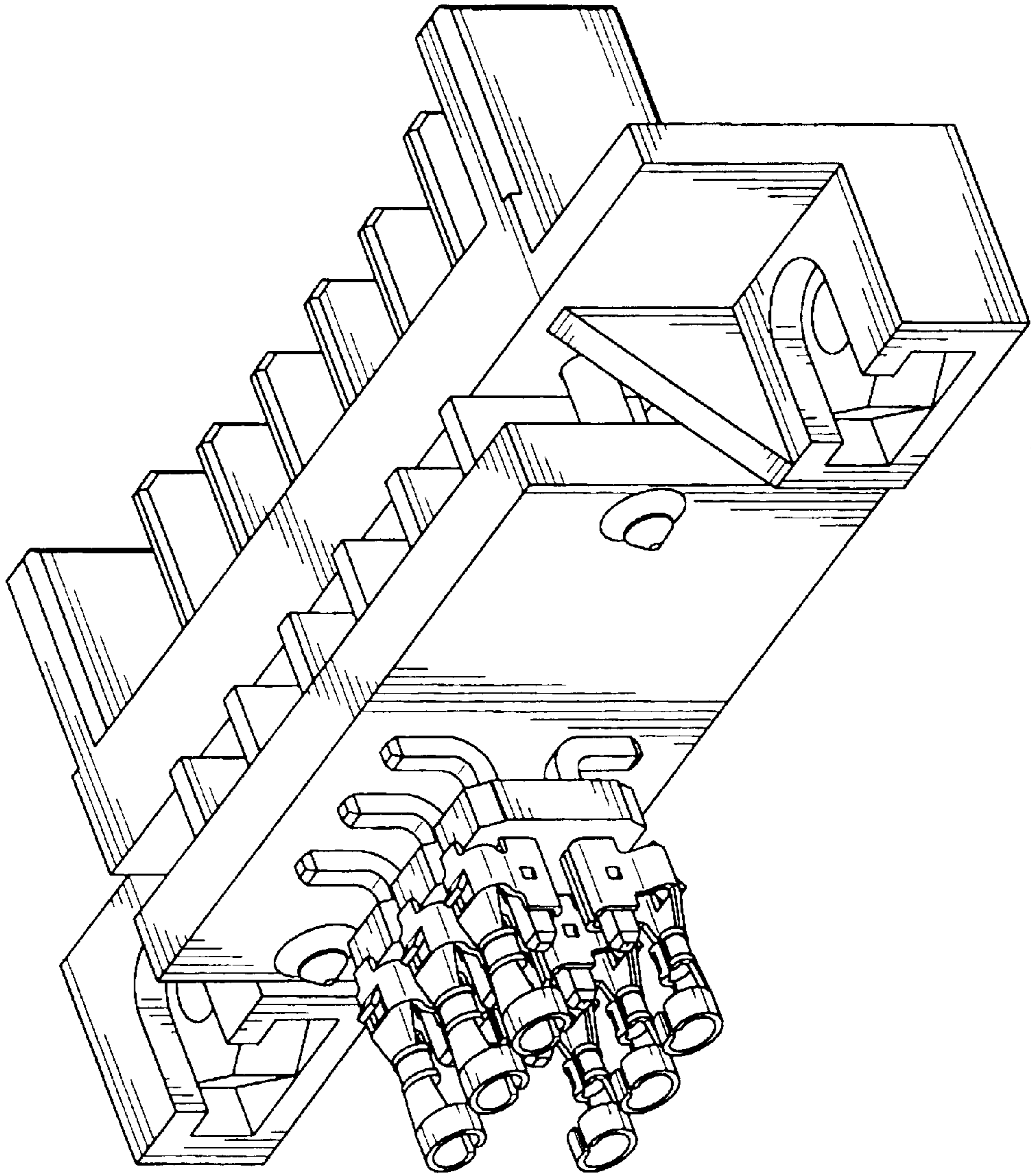


FIG. 1

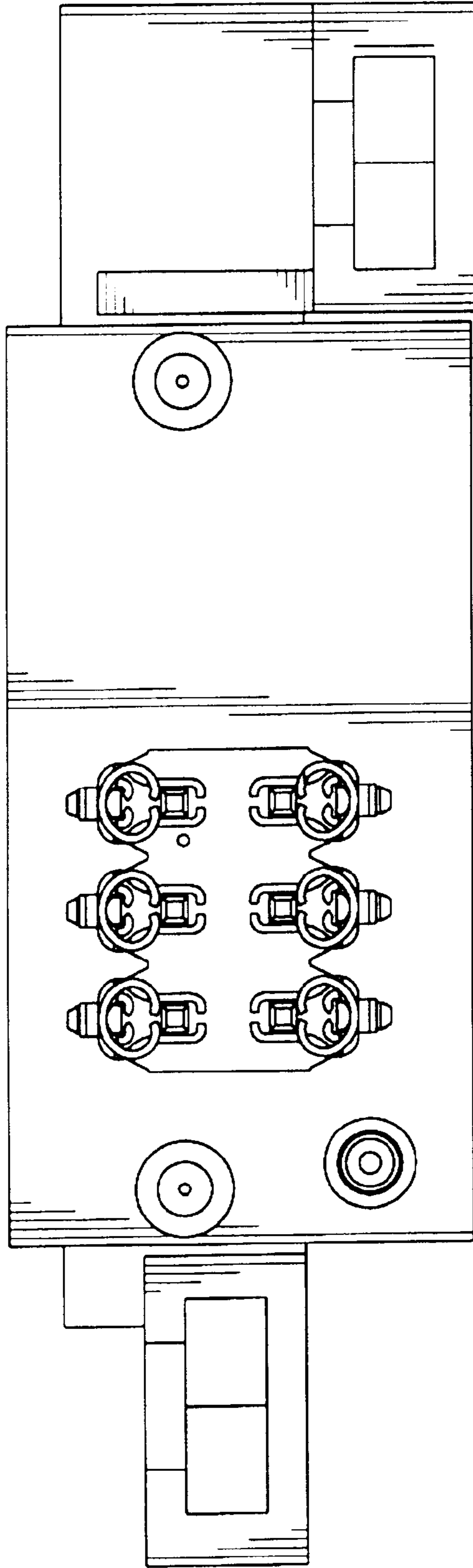


FIG. 2

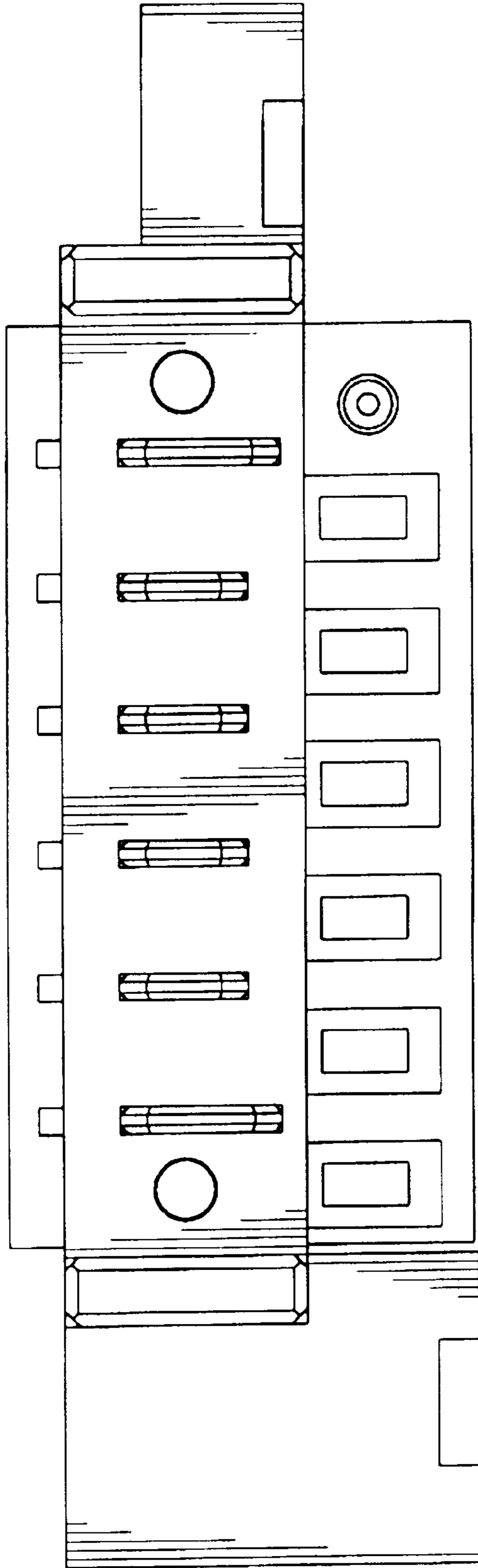


FIG. 3

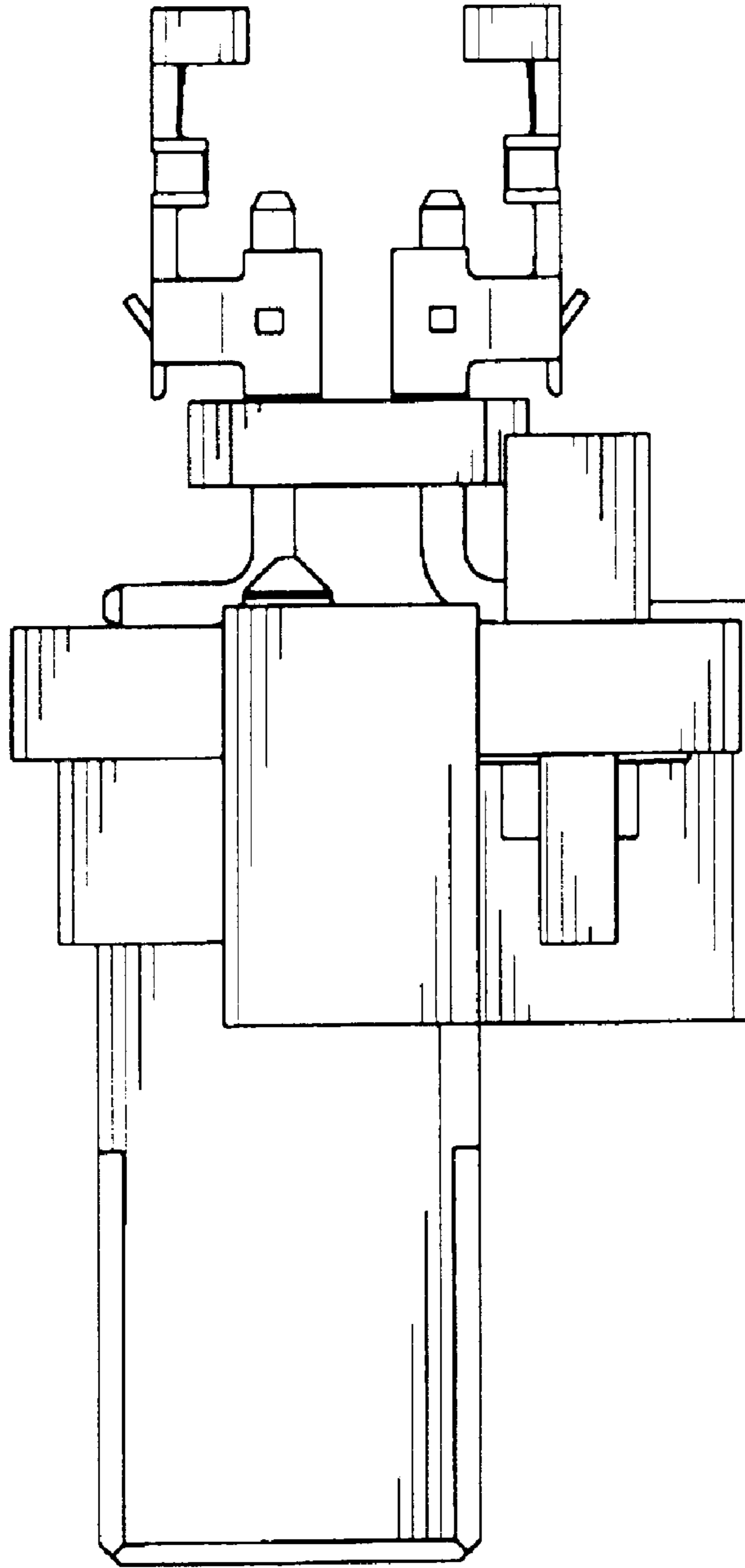


FIG. 4

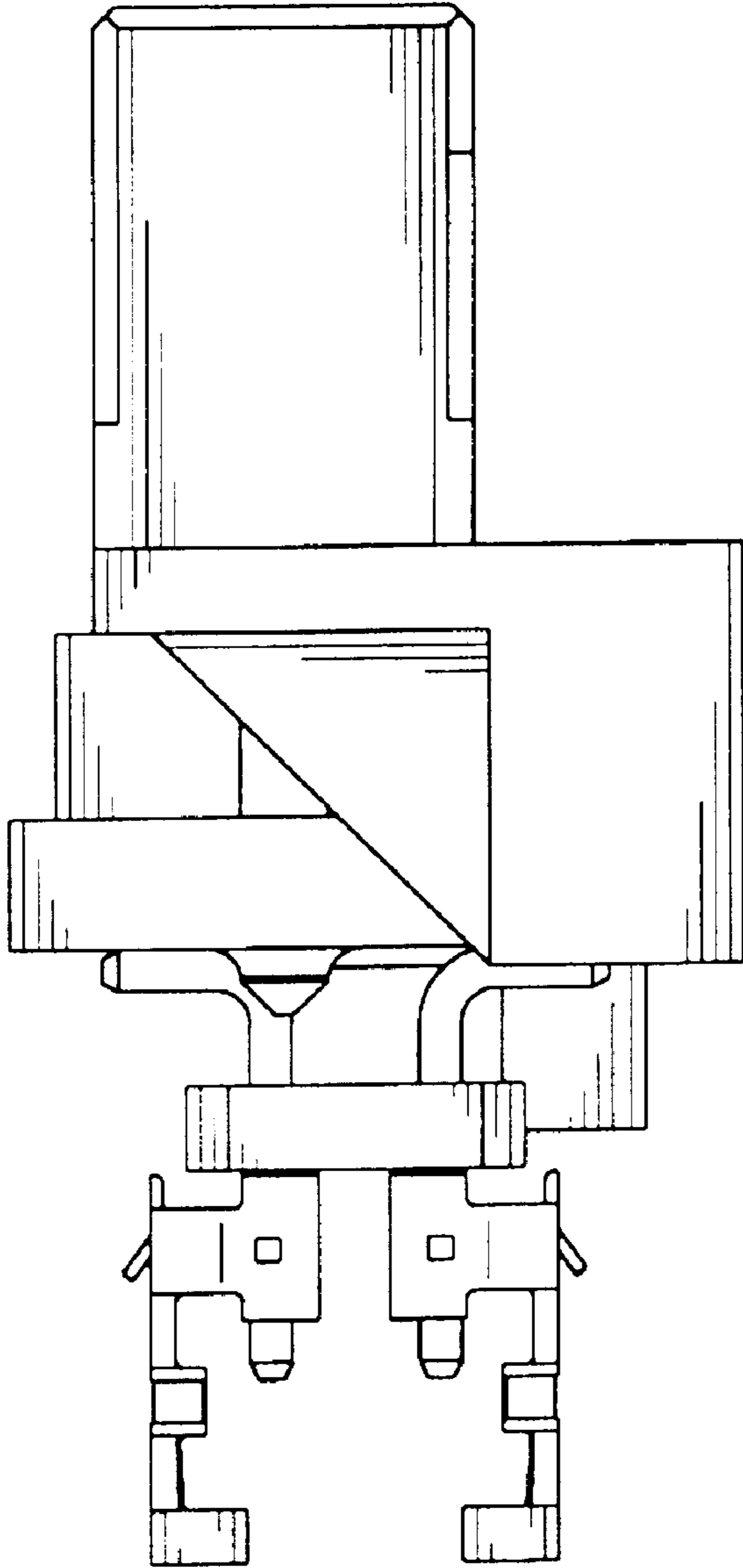


FIG. 5

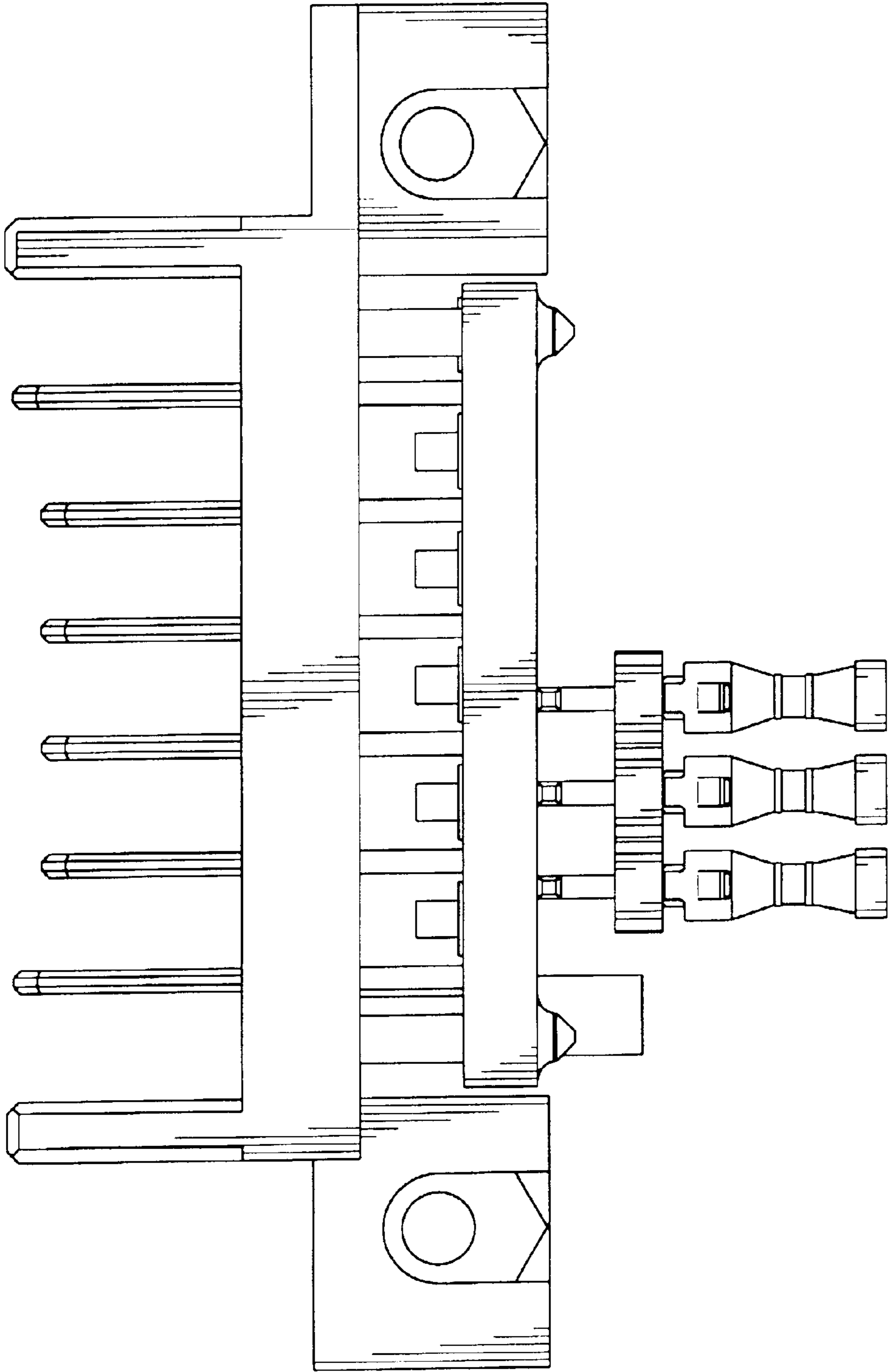


FIG. 6

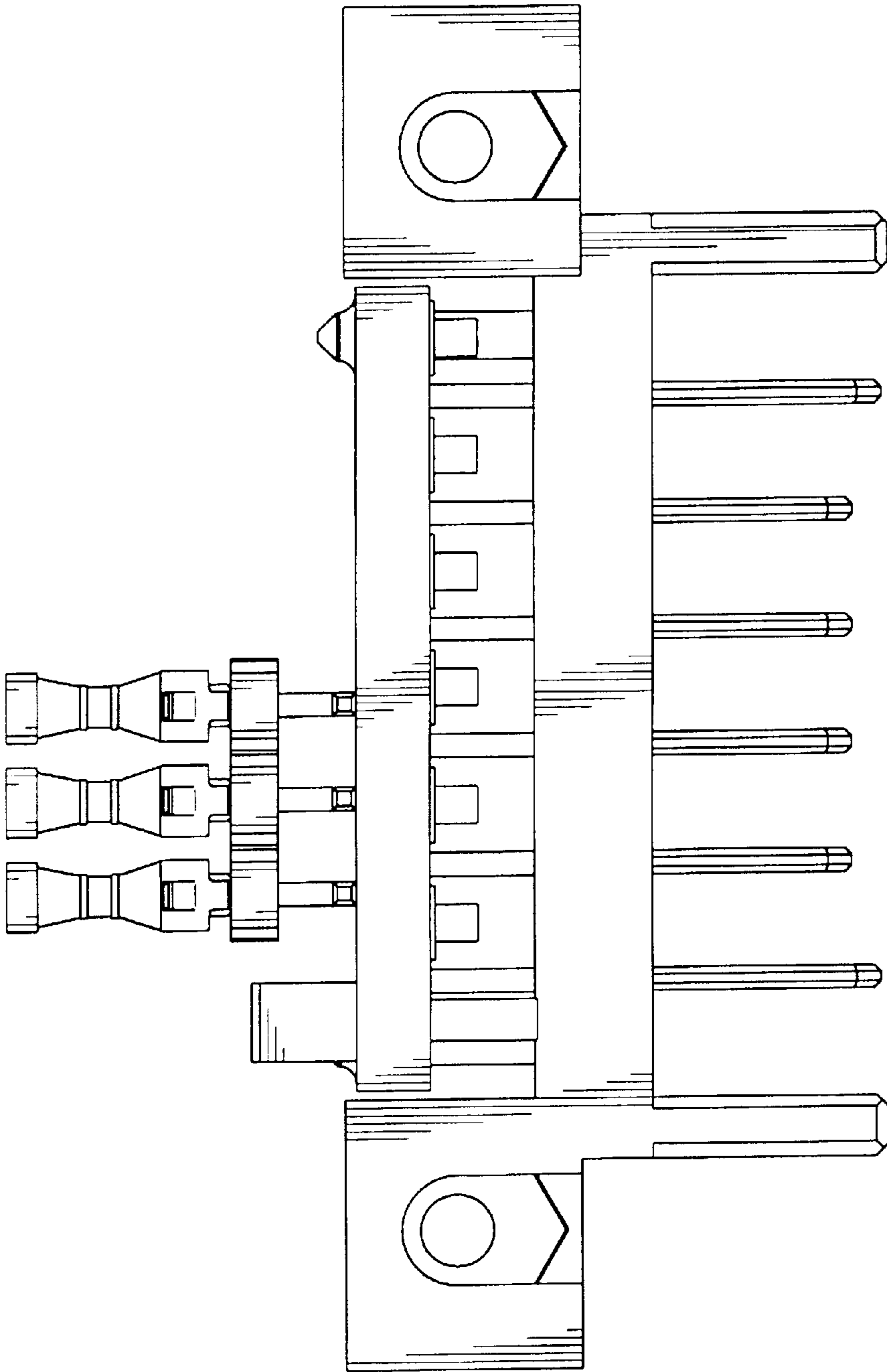


FIG. 7