



US00D433379S

# United States Patent [19] Jokinen

[11] **Patent Number: Des. 433,379**

[45] **Date of Patent: \*\* Nov. 7, 2000**

[54] **CIGARETTE LIGHTER CHARGER WITH HANDS-FREE FACILITY**

[75] Inventor: **Tapani Jokinen**, Turku, Finland

[73] Assignee: **Nokia Mobile Phones Limited**, Espoo, Finland

[\*\*] Term: **14 Years**

[21] Appl. No.: **29/108,976**

[22] Filed: **Aug. 6, 1999**

[30] **Foreign Application Priority Data**

Feb. 8, 1999 [FI] Finland ..... M19990107

[51] **LOC (7) Cl.** ..... **13-02**

[52] **U.S. Cl.** ..... **D13/107; D13/144**

[58] **Field of Search** ..... **D13/107, 108, D13/118, 144; 320/110-115**

[56] **References Cited**

**U.S. PATENT DOCUMENTS**

- D. 362,657 9/1995 Tomikawa et al. .... D13/144
- D. 367,846 3/1996 Moshe ..... D13/144

- D. 369,811 5/1996 Chen ..... D13/144 X
- D. 373,756 9/1996 Chen ..... D13/108
- D. 384,036 9/1997 Janci ..... D13/144
- D. 420,977 2/2000 Lohrding ..... D13/144
- 5,736,830 4/1998 Weng ..... 320/108

*Primary Examiner*—Joel Sincavage  
*Attorney, Agent, or Firm*—Allen Scott Lineberry

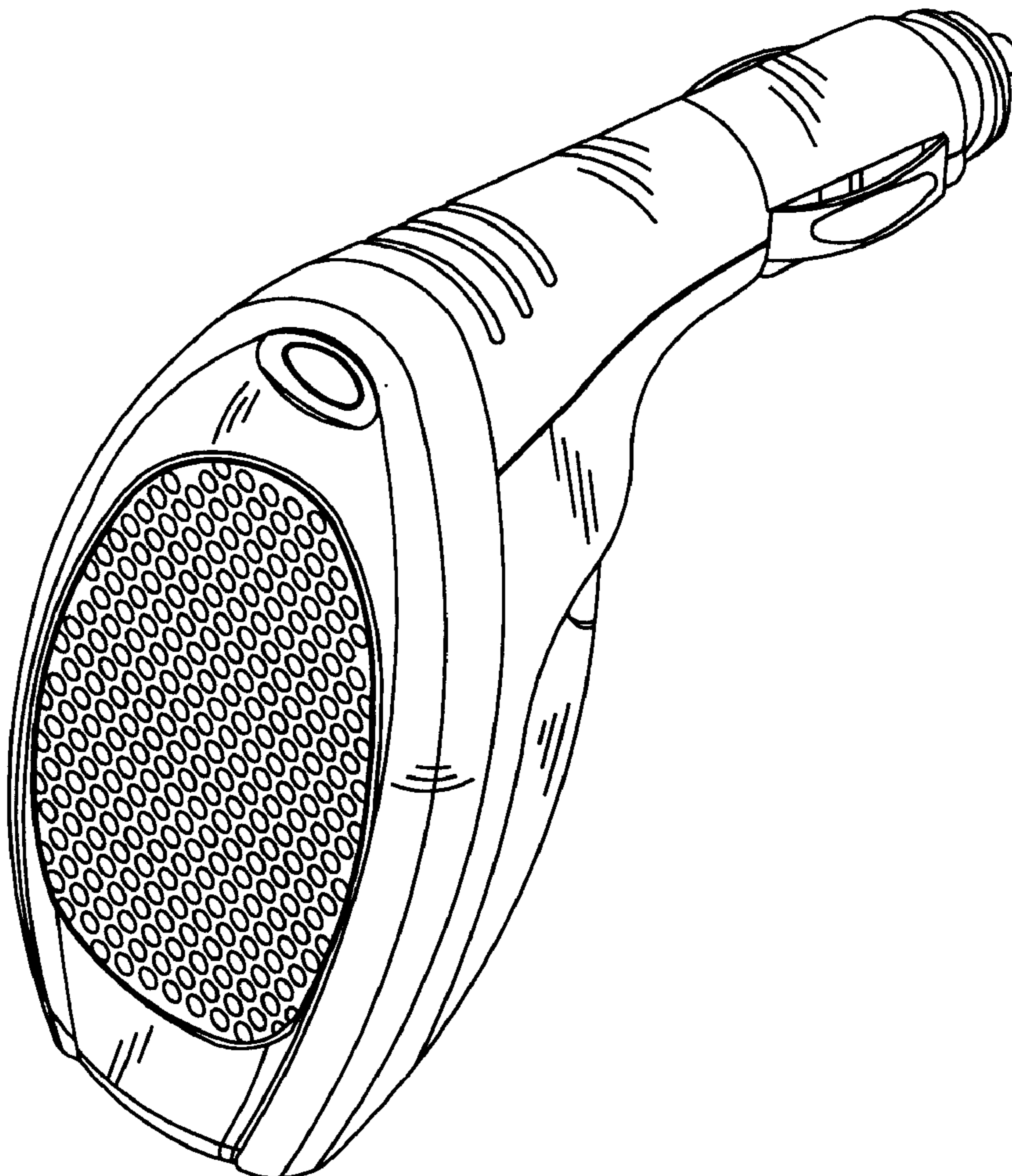
[57] **CLAIM**

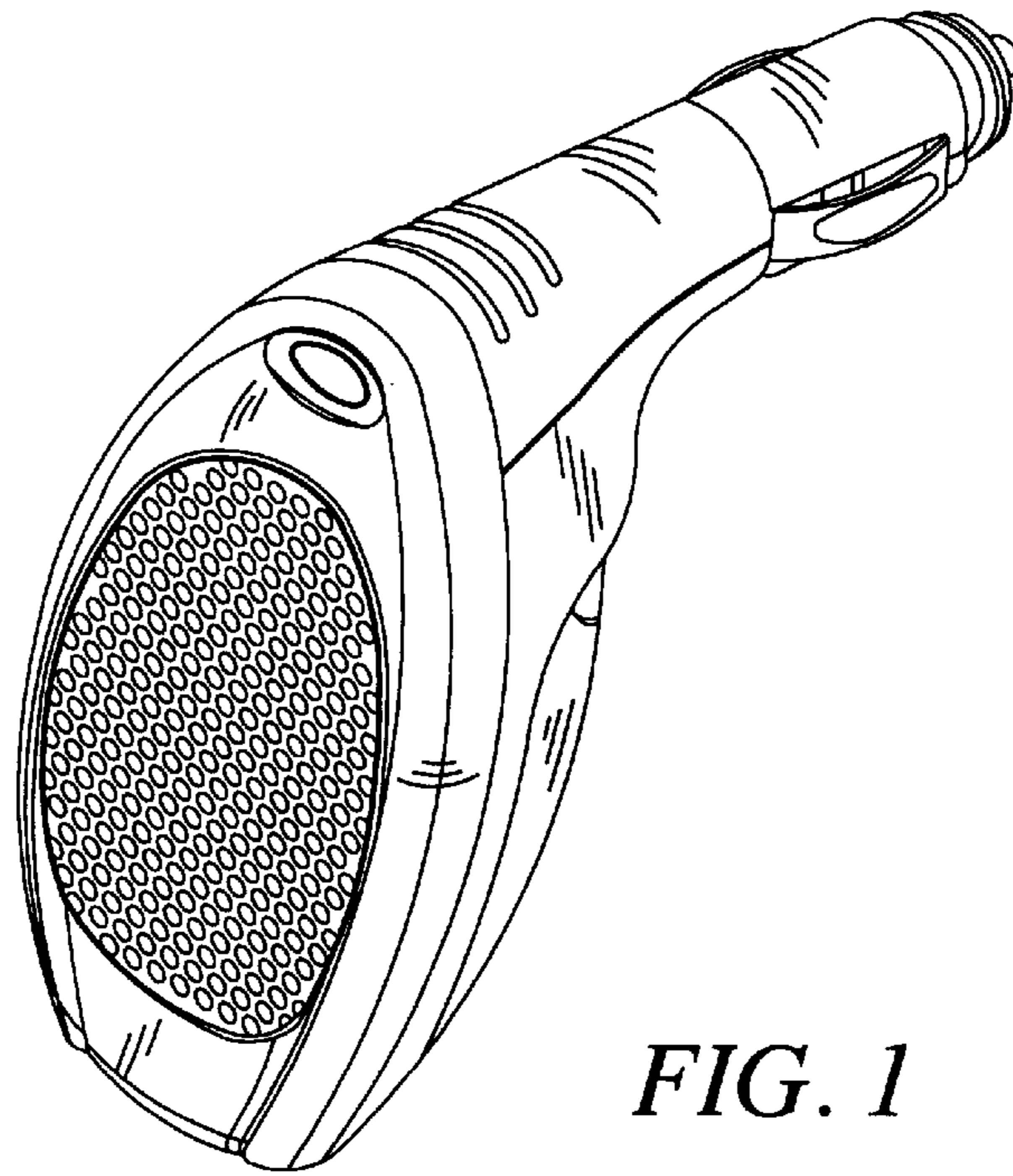
I claim the ornamental design of a cigarette lighter charger with hands-free facility, as shown and described.

**DESCRIPTION**

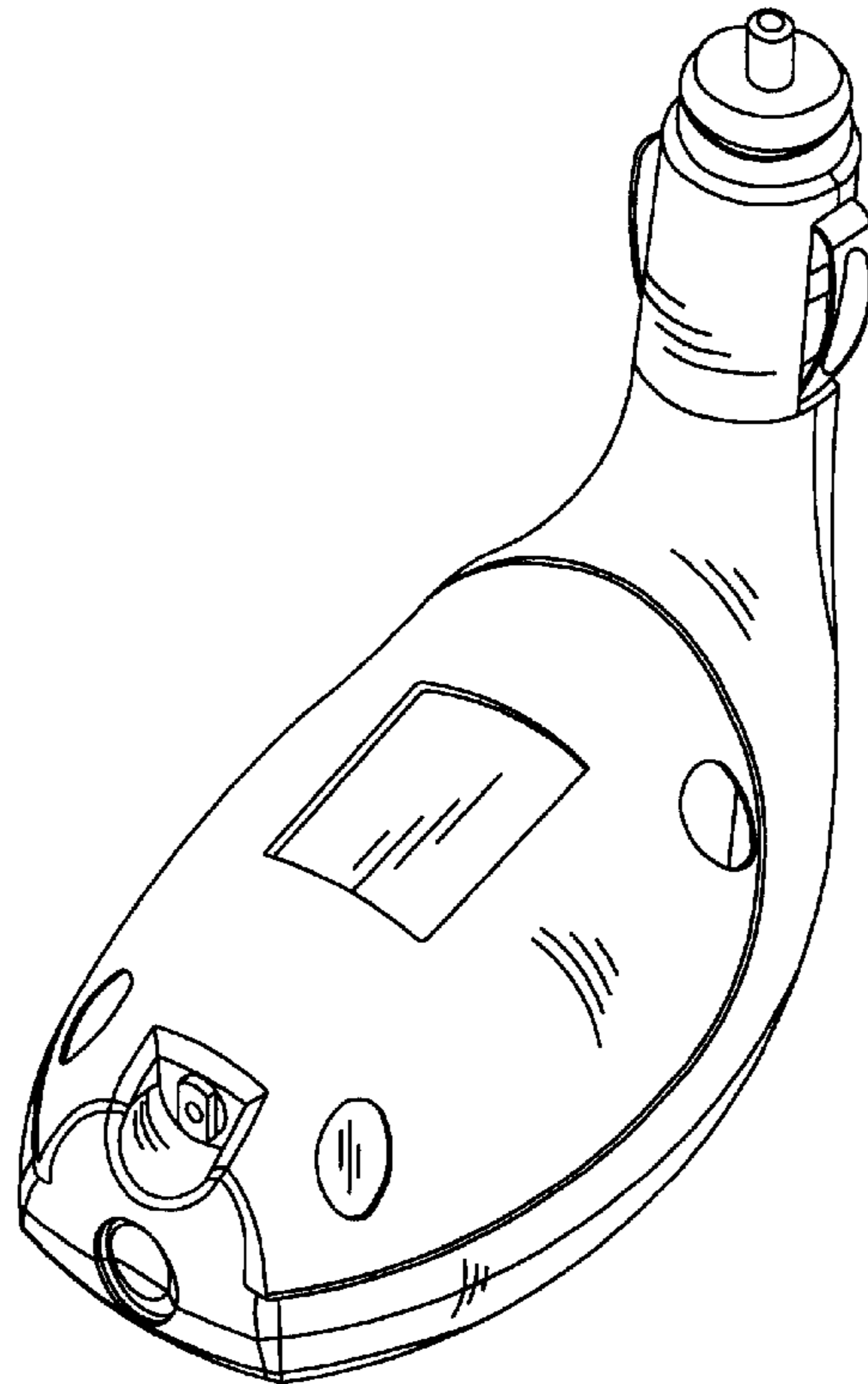
FIG. 1 is a top, left side and front perspective view of the cigarette lighter charger with hands-free facility; FIG. 2 is a bottom, right side and rear perspective view thereof; FIG. 3 is a rear elevational view thereof; FIG. 4 is a bottom elevational view thereof; FIG. 5 is a left side elevational view thereof; FIG. 6 is a top elevational view thereof; FIG. 7 is a front elevational view thereof; and, FIG. 8 is a right side elevational view thereof.

**1 Claim, 3 Drawing Sheets**

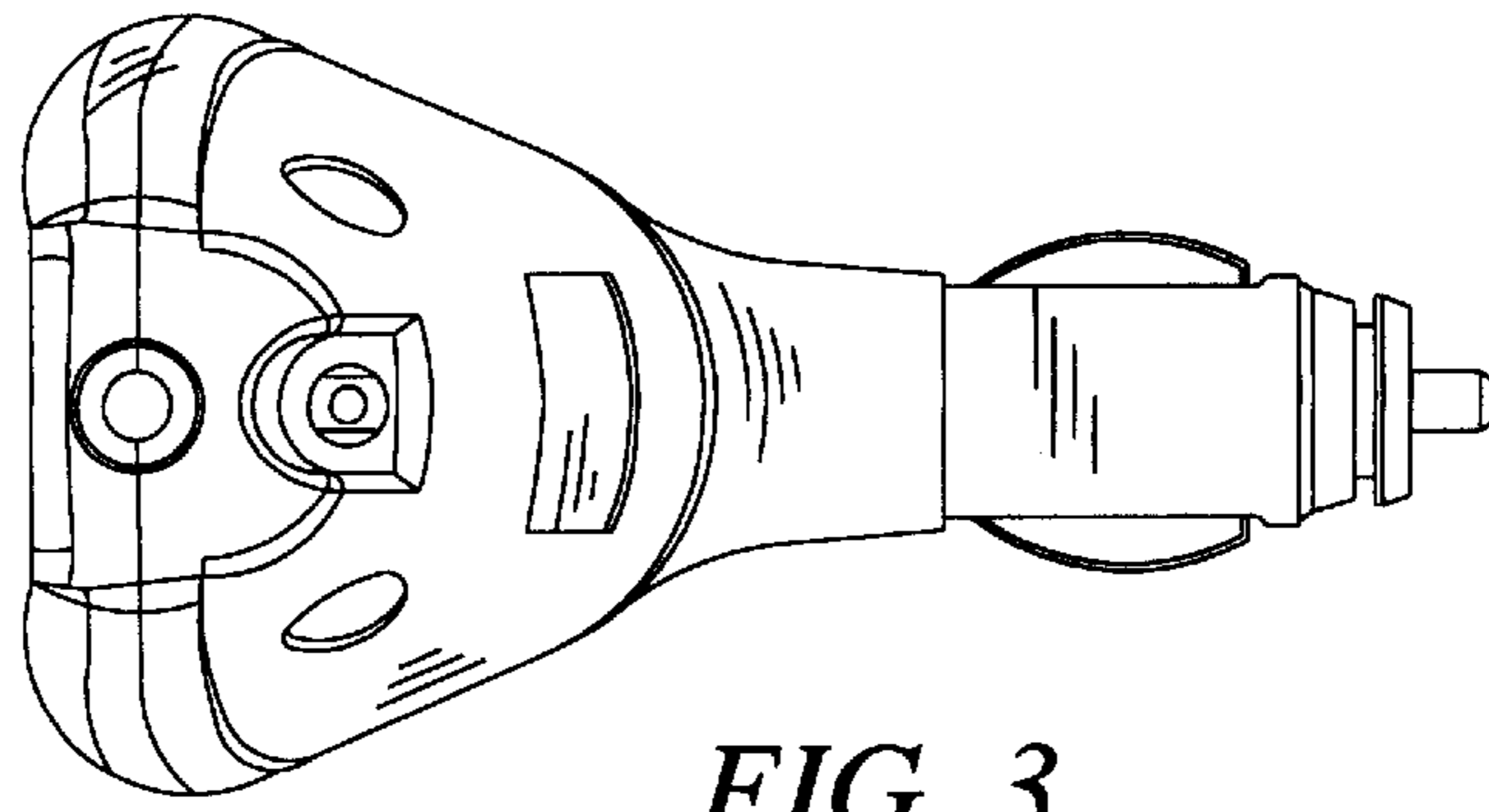




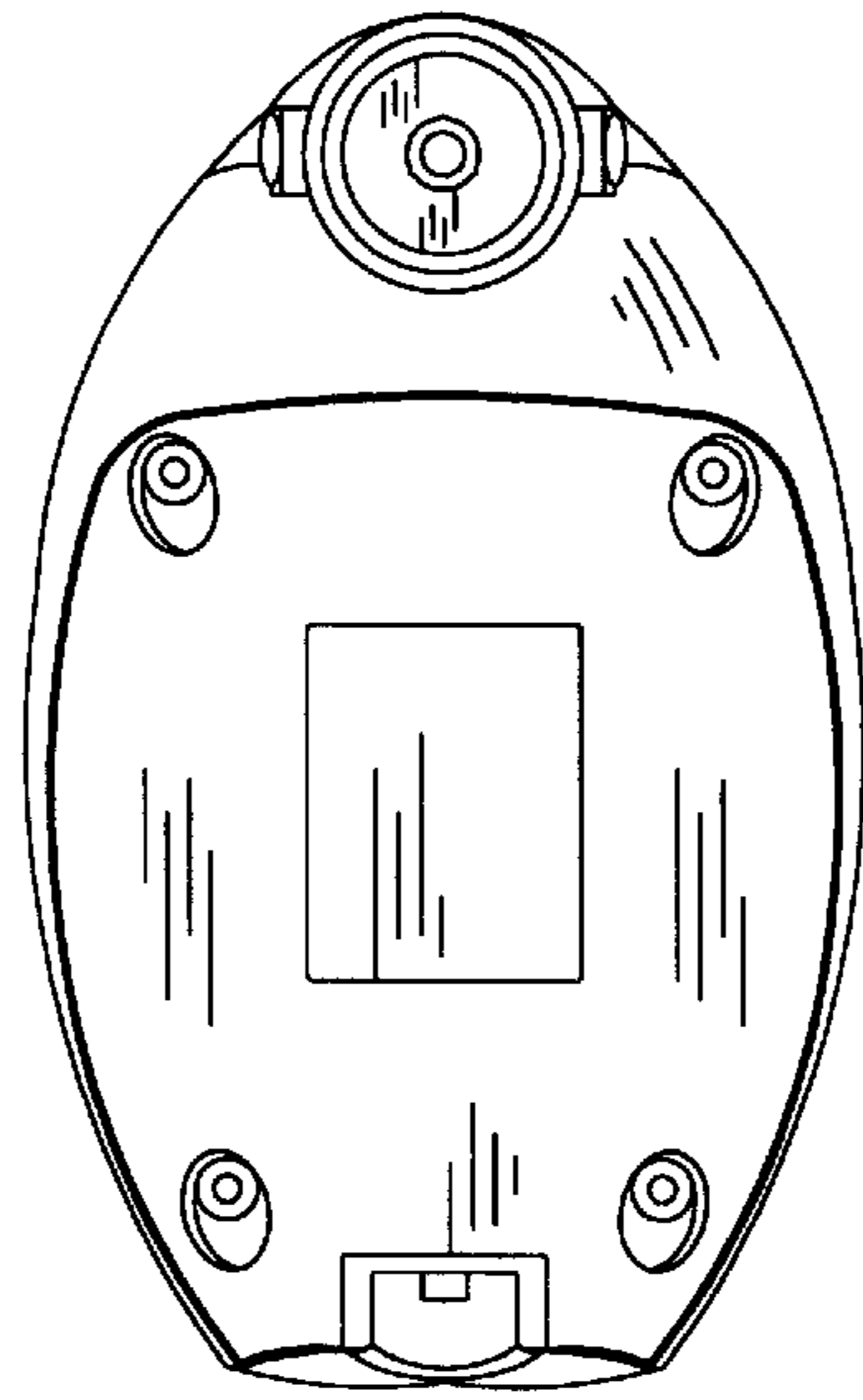
*FIG. 1*



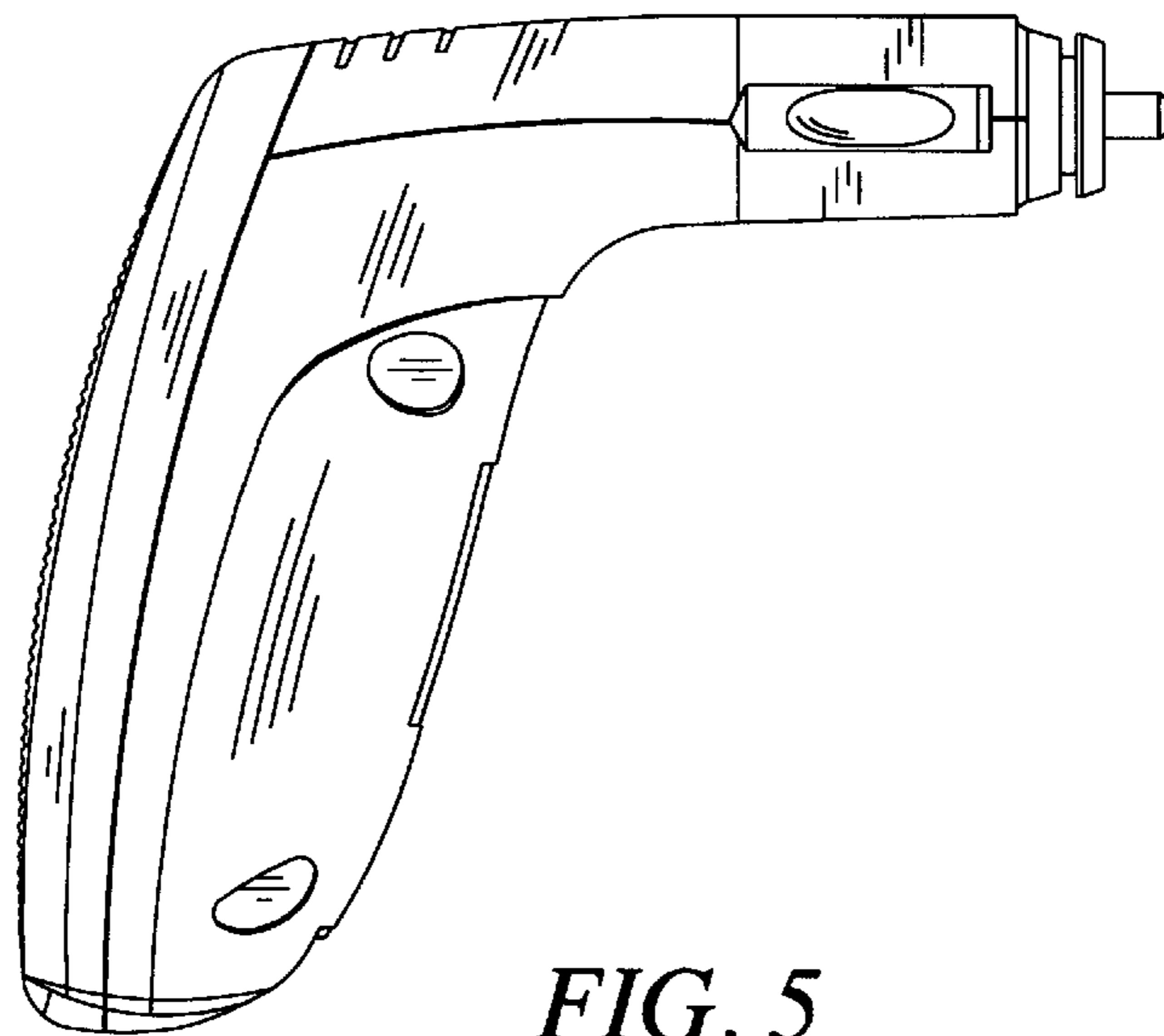
*FIG. 2*



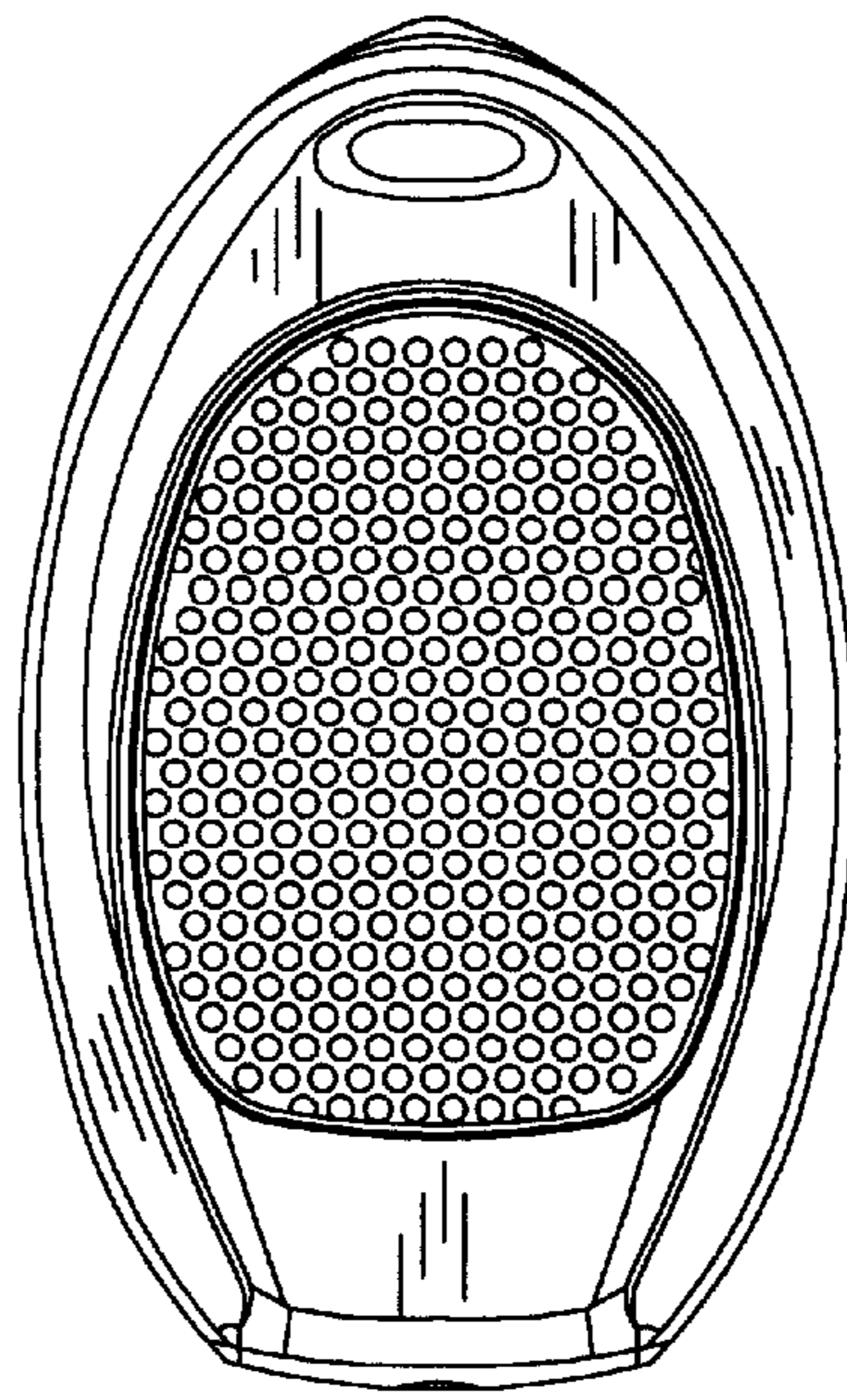
*FIG. 3*



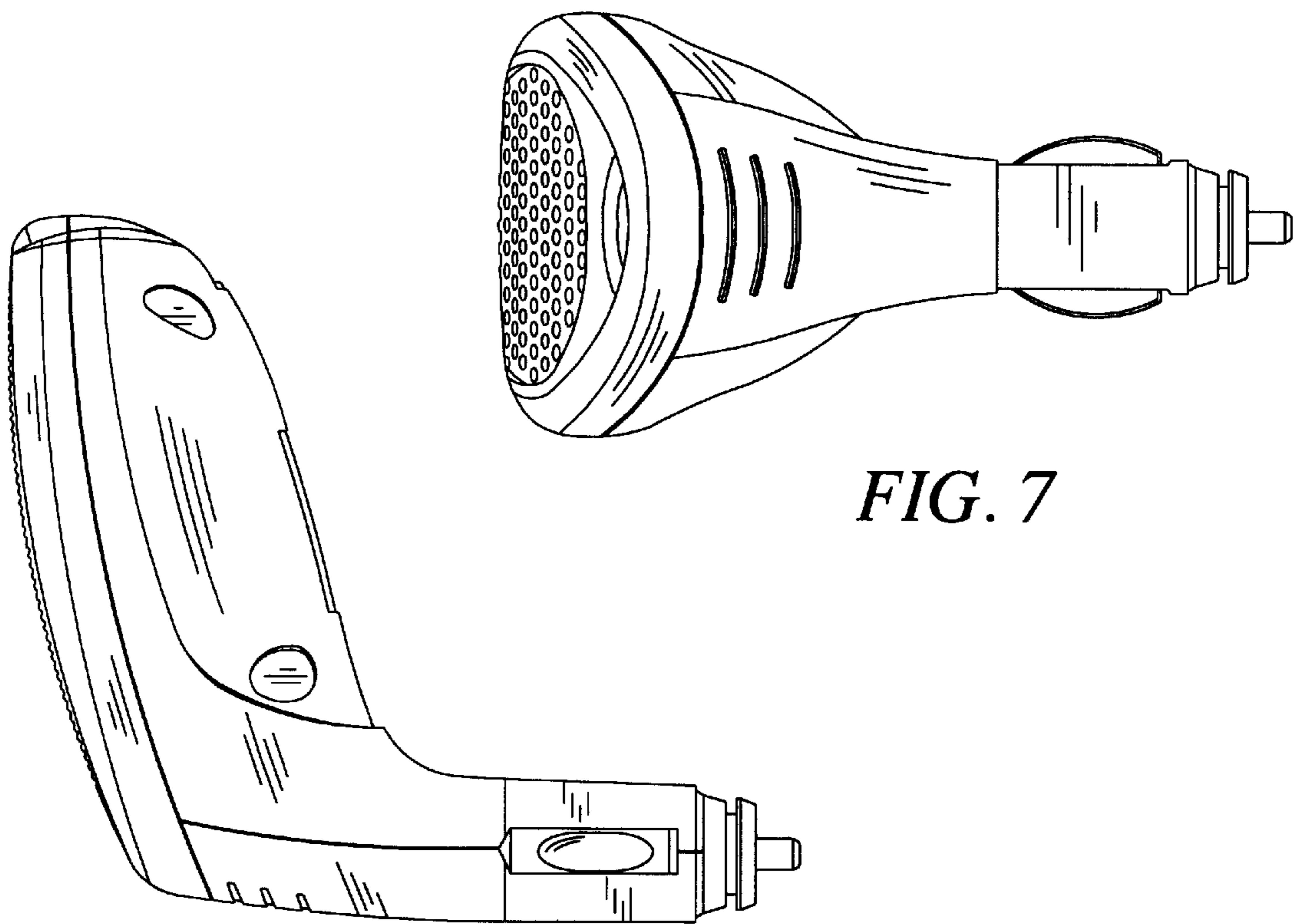
*FIG. 4*



*FIG. 5*



*FIG. 6*



*FIG. 7*

*FIG. 8*