



US00D433378S

# United States Patent [19] Waskow

[11] **Patent Number: Des. 433,378**

[45] **Date of Patent: \*\* Nov. 7, 2000**

[54] **BATTERY BOX FOR A TRUCK**

[75] Inventor: **John H. Waskow**, Keller, Tex.

[73] Assignee: **Paccar Inc**, Bellevue, Wash.

[\*\*] Term: **14 Years**

[21] Appl. No.: **29/111,776**

[22] Filed: **Oct. 4, 1999**

[51] **LOC (7) Cl.** ..... **12-16**

[52] **U.S. Cl.** ..... **D12/423; D12/424**

[58] **Field of Search** ..... **D12/423, 424, D12/203, 406, 409; D9/424, 430; 296/37.1, 37.6; 224/403, 404; 206/518, 563**

[56] **References Cited**

**U.S. PATENT DOCUMENTS**

D. 315,540	3/1991	Carmody	.....	D12/424
D. 373,991	9/1996	Fimms	.....	D12/424
D. 376,784	12/1996	Milles	.....	D12/203
D. 378,671	4/1997	Herrs	.....	D12/423
D. 381,948	8/1997	Schult	.....	D12/203
D. 384,934	10/1997	Grisel	.....	D12/424
D. 394,628	5/1998	Wentzel	.....	D12/203
D. 400,159	10/1998	Niemi et al.	.....	D12/423

*Primary Examiner*—Melody N. Brown  
*Attorney, Agent, or Firm*—Sidley & Austin

[57] **CLAIM**

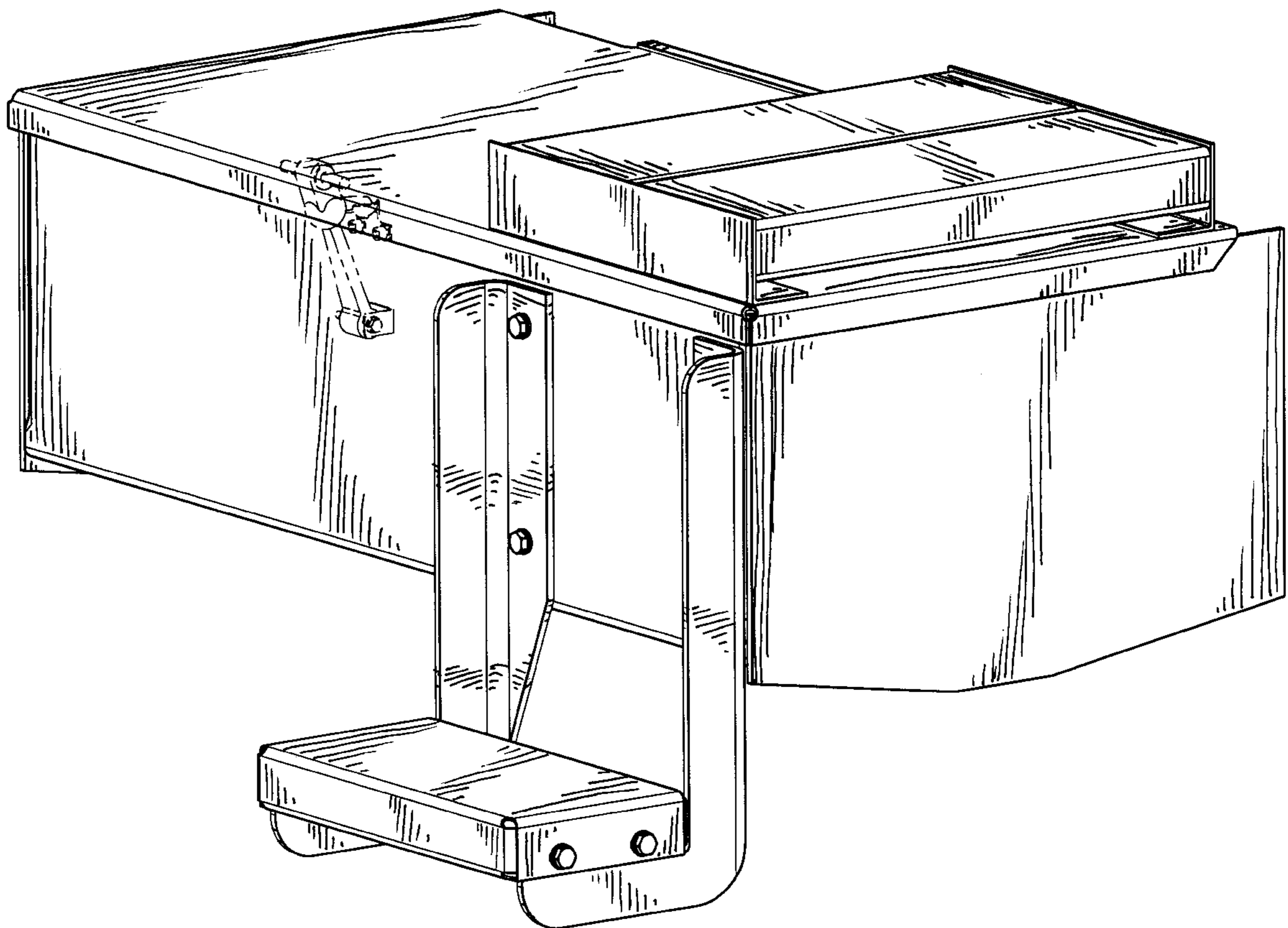
The ornamental design for a battery box for a truck, as shown and described.

**DESCRIPTION**

FIG. 1 is a perspective view of a battery box for a truck showing a first embodiment of my new design;  
 FIG. 2 is a front view thereof;  
 FIG. 3 is a right side view thereof;  
 FIG. 4 is a back view thereof;  
 FIG. 5 is a left side view thereof;  
 FIG. 6 is a top view thereof;  
 FIG. 7 is a bottom view thereof;  
 FIG. 8 is a perspective view of a battery box for a truck showing a second embodiment of my new design;  
 FIG. 9 is a front view thereof;  
 FIG. 10 is a right side view thereof;  
 FIG. 11 is a back view thereof;  
 FIG. 12 is a left side view thereof;  
 FIG. 13 is a top view thereof; and,  
 FIG. 14 is a bottom view thereof.

The latching hardware shown in broken lines is for illustrative purposes only and forms no part of the claimed design.

**1 Claim, 8 Drawing Sheets**



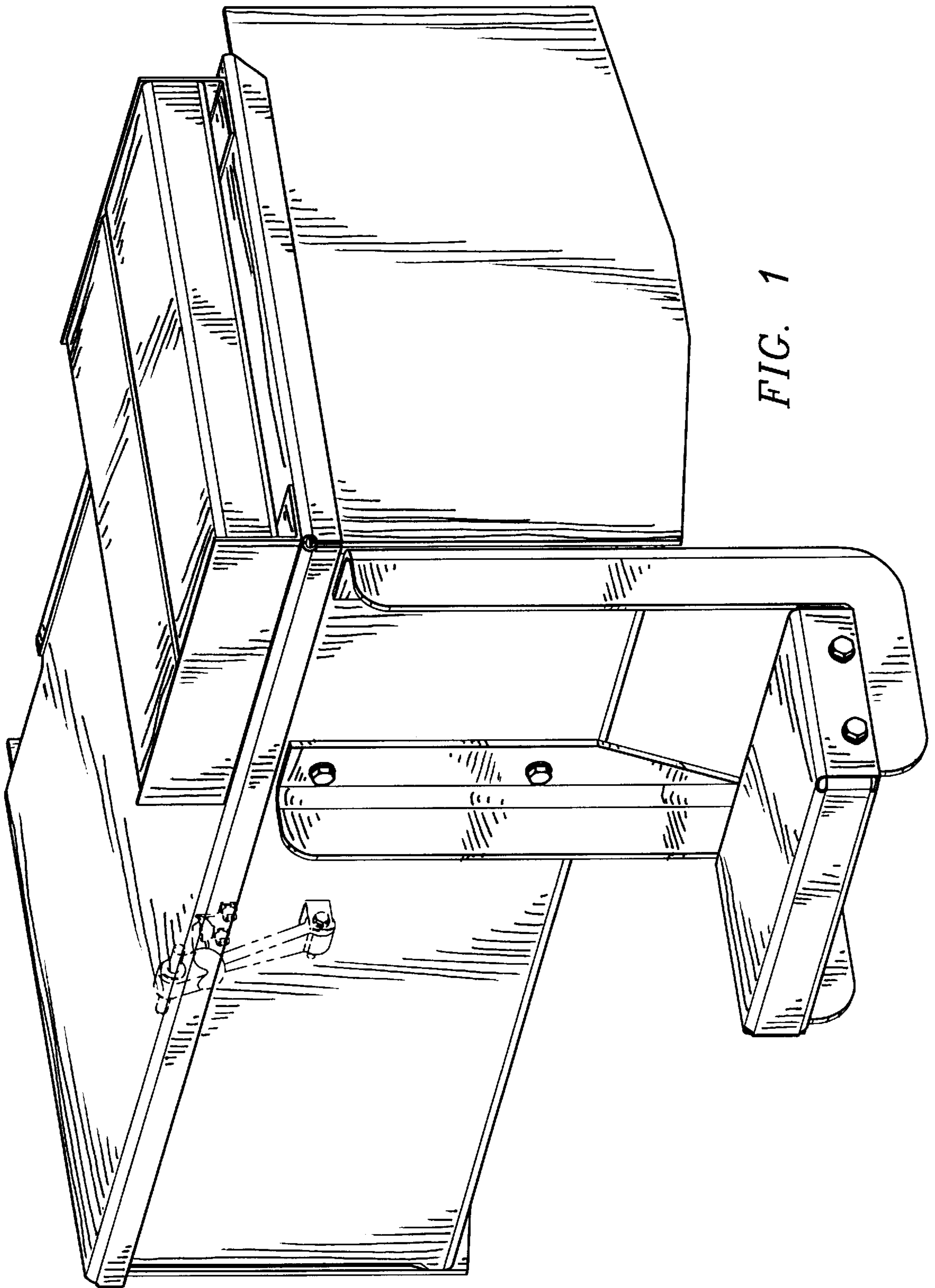


FIG. 1

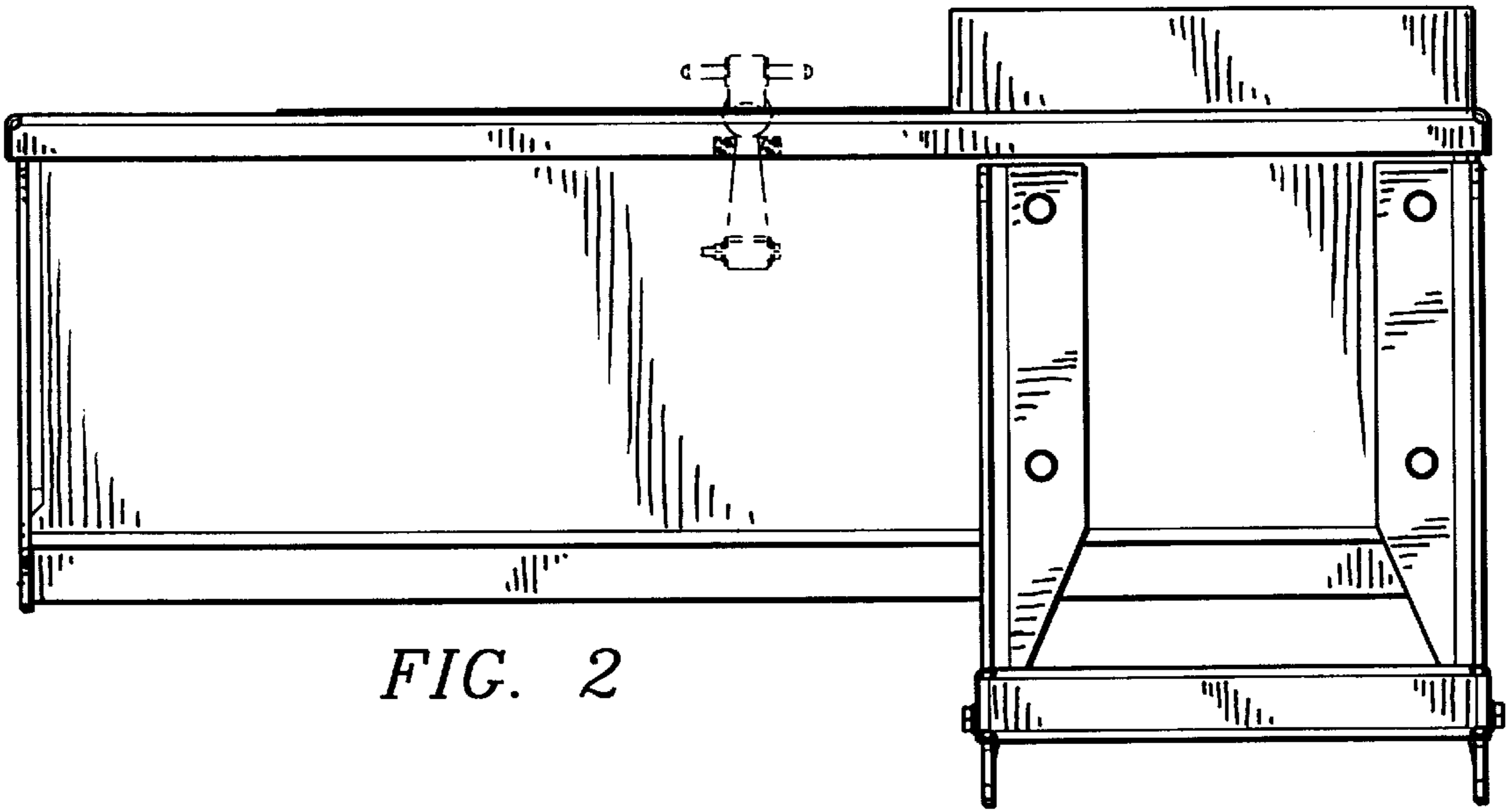


FIG. 2

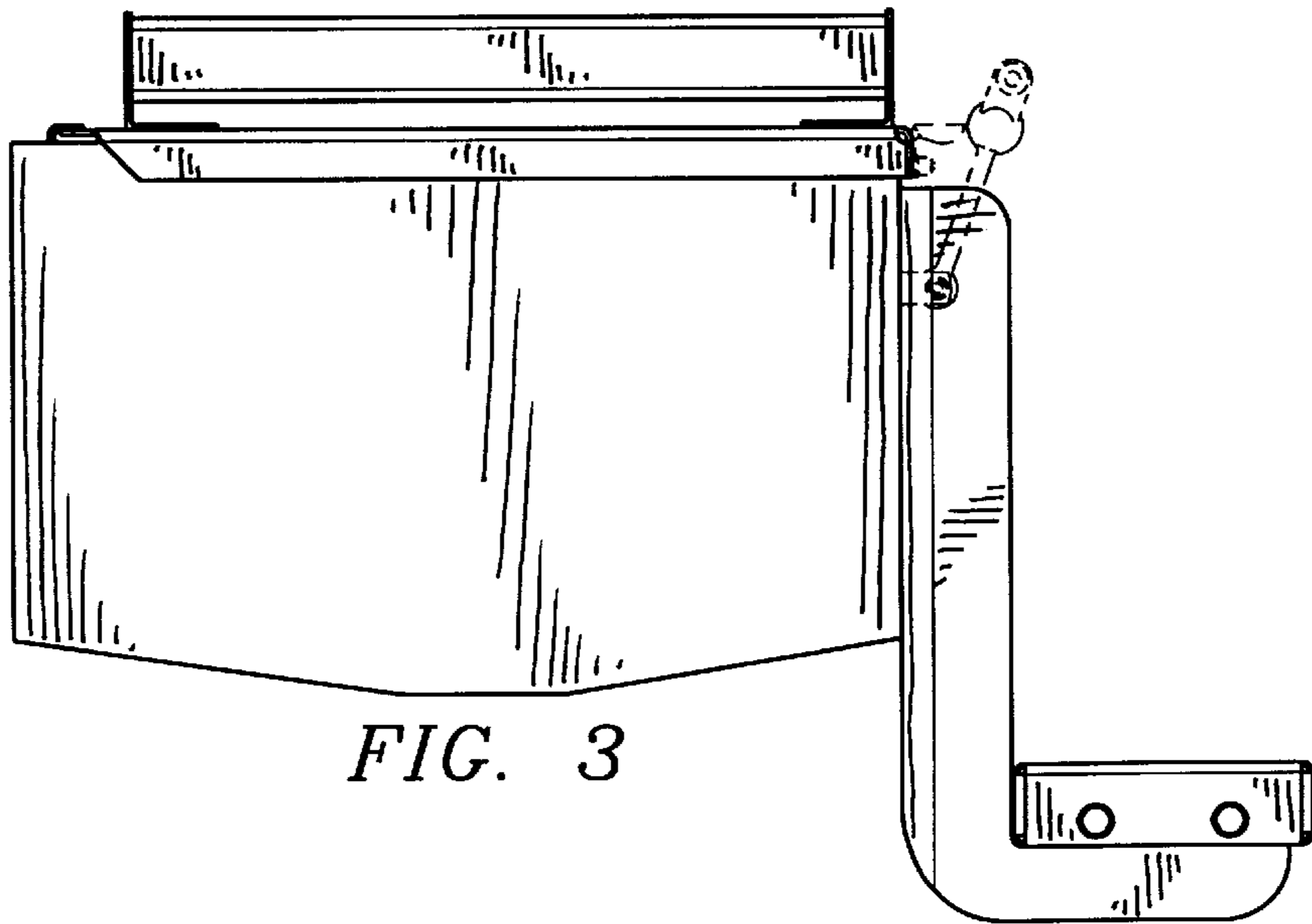


FIG. 3

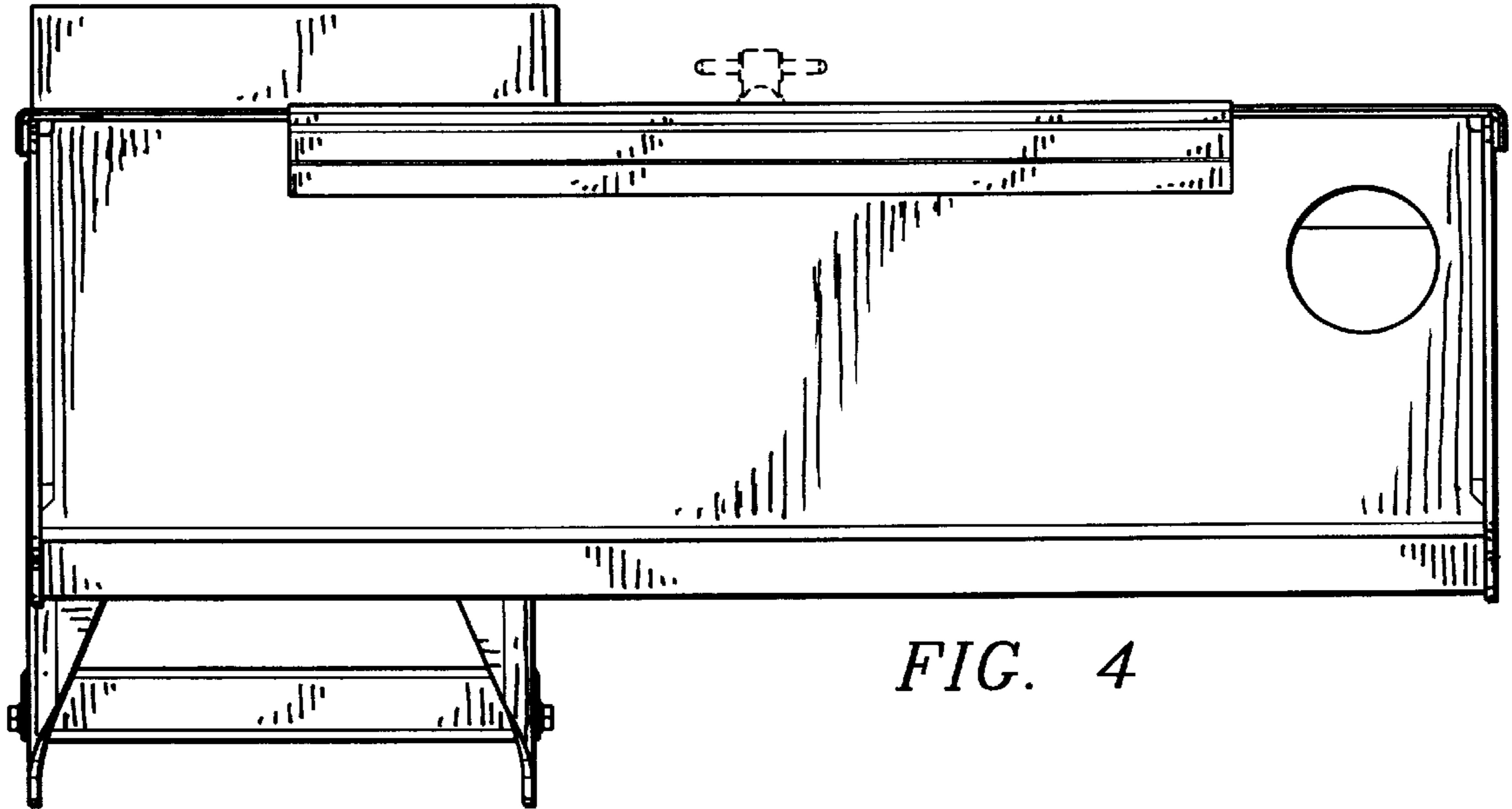


FIG. 4

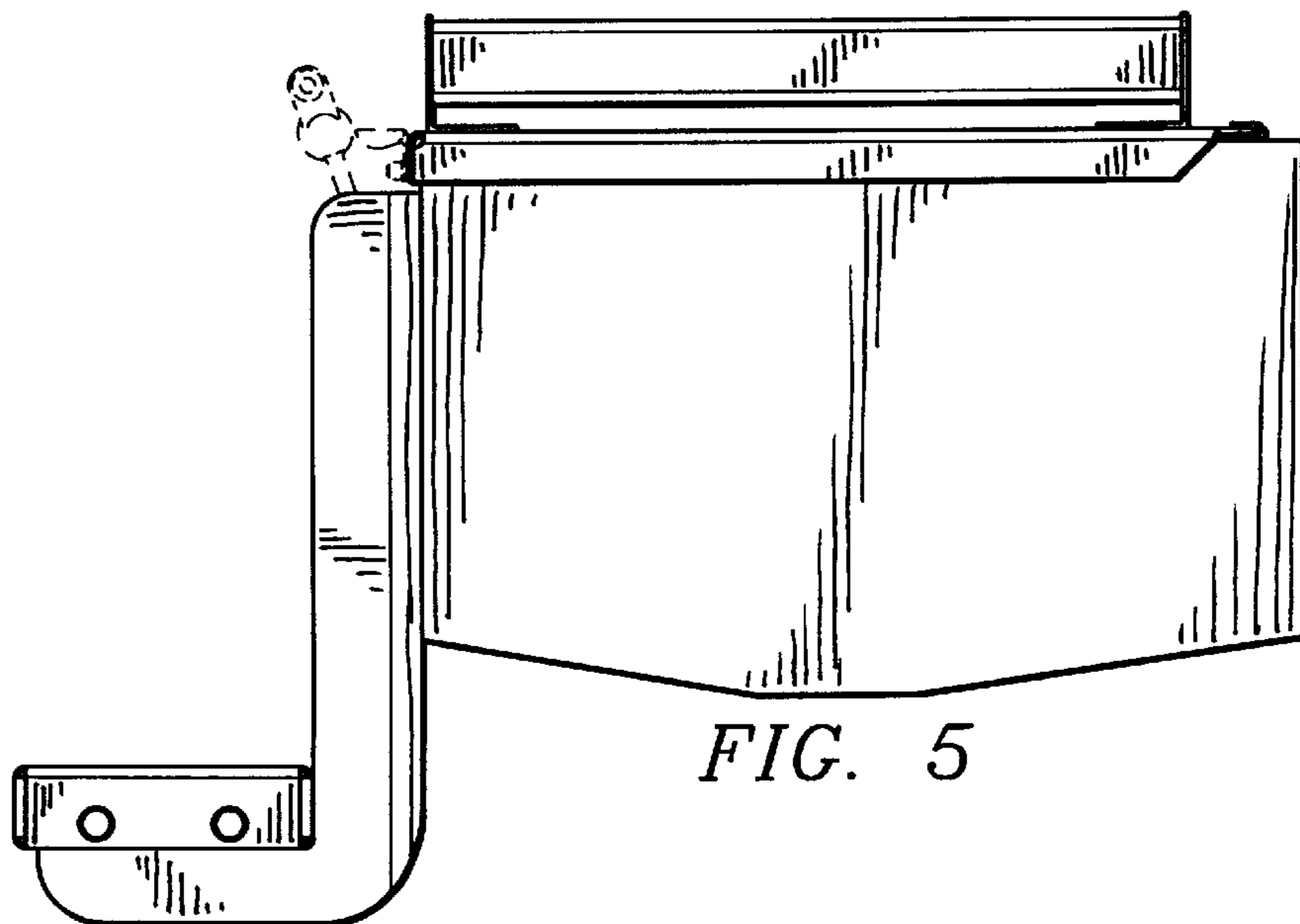
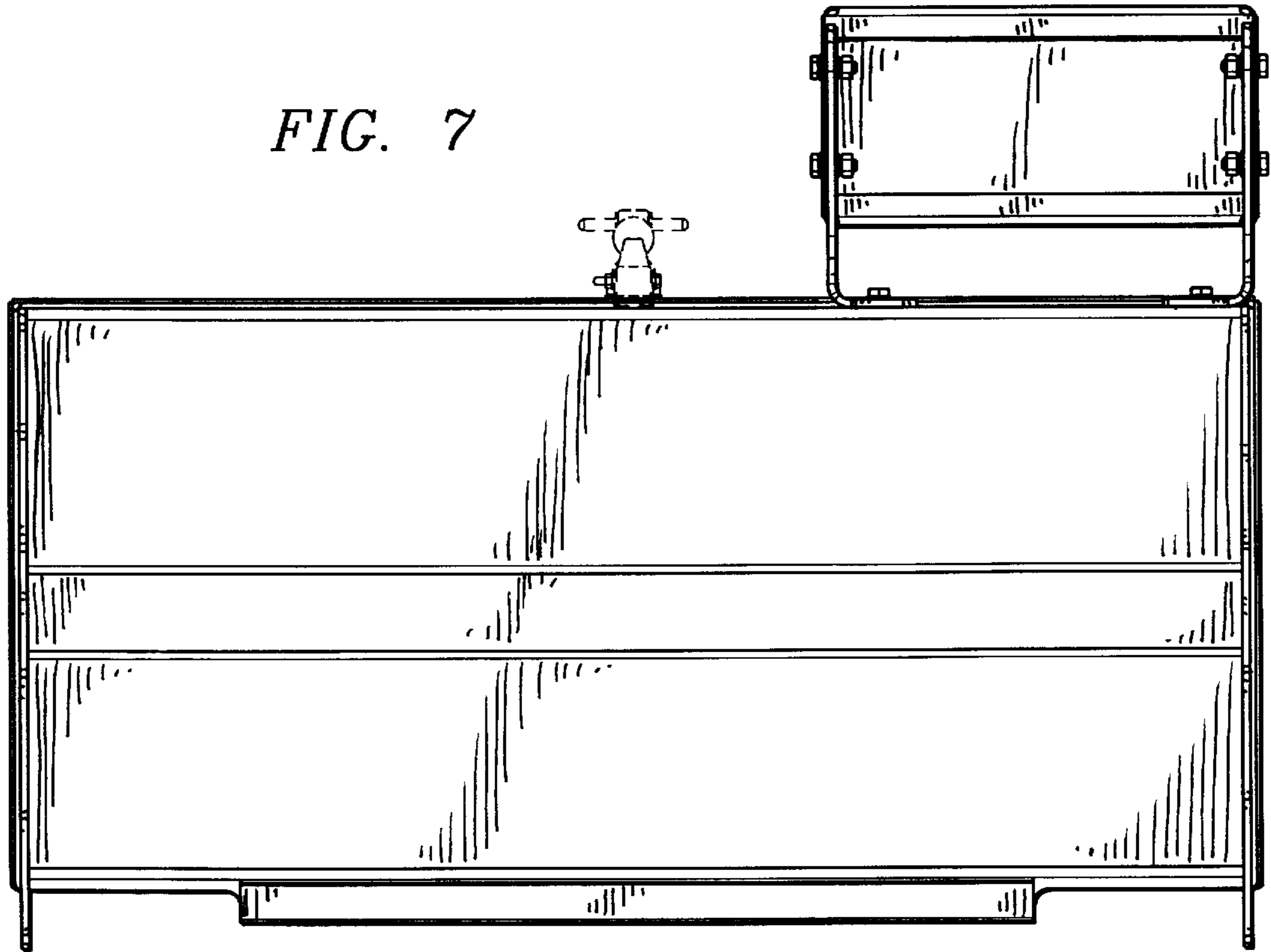
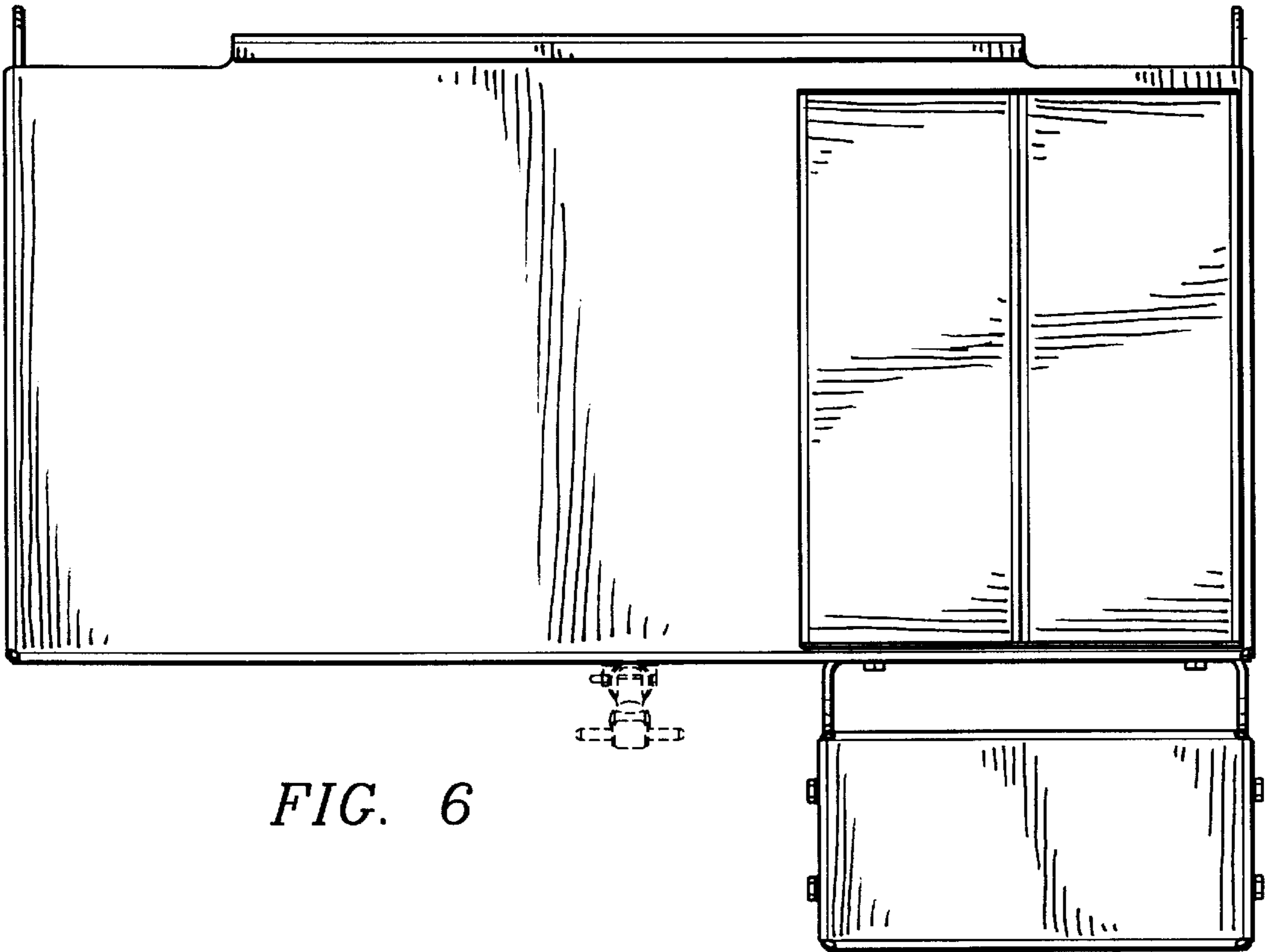


FIG. 5



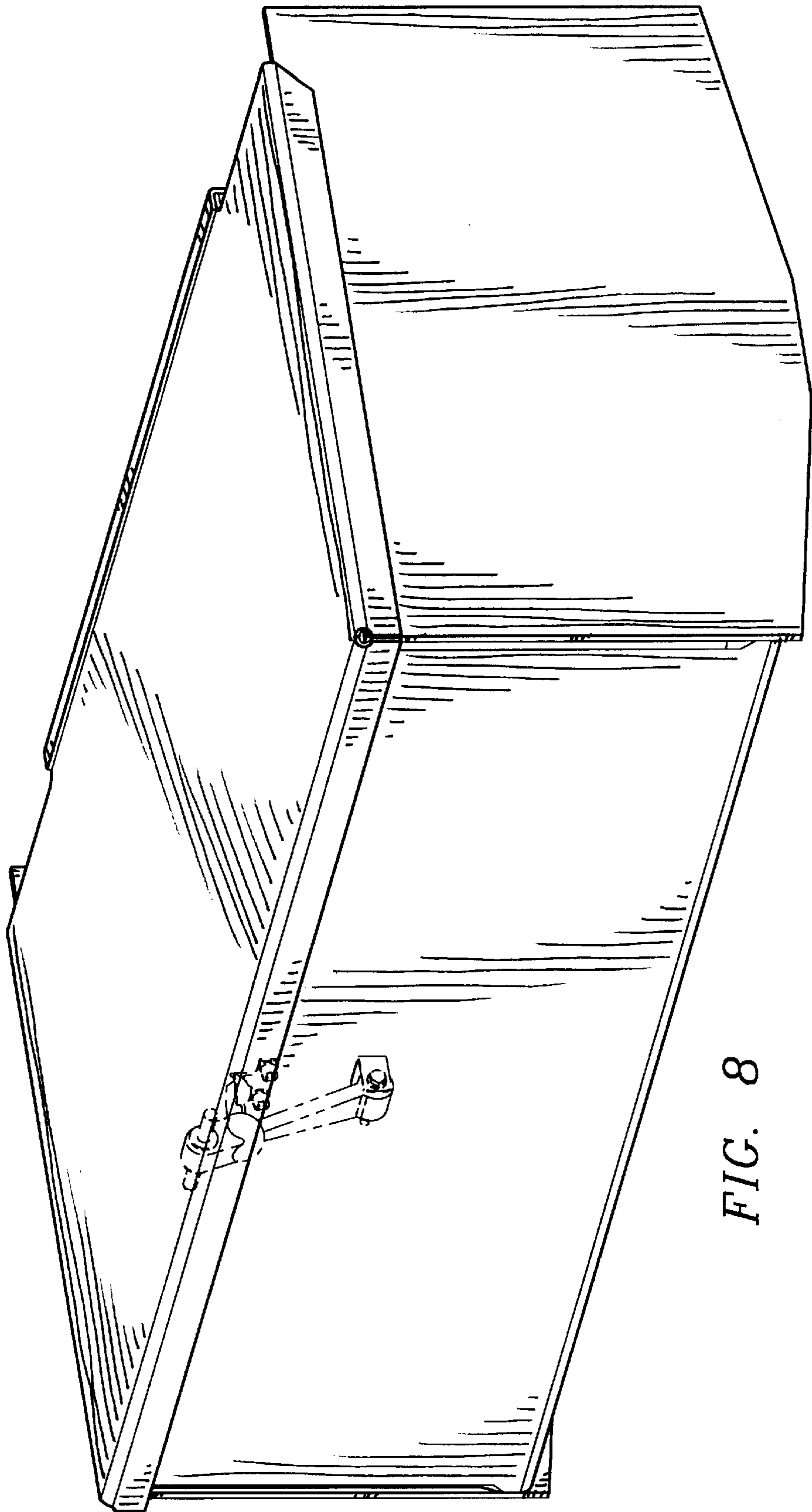


FIG. 8

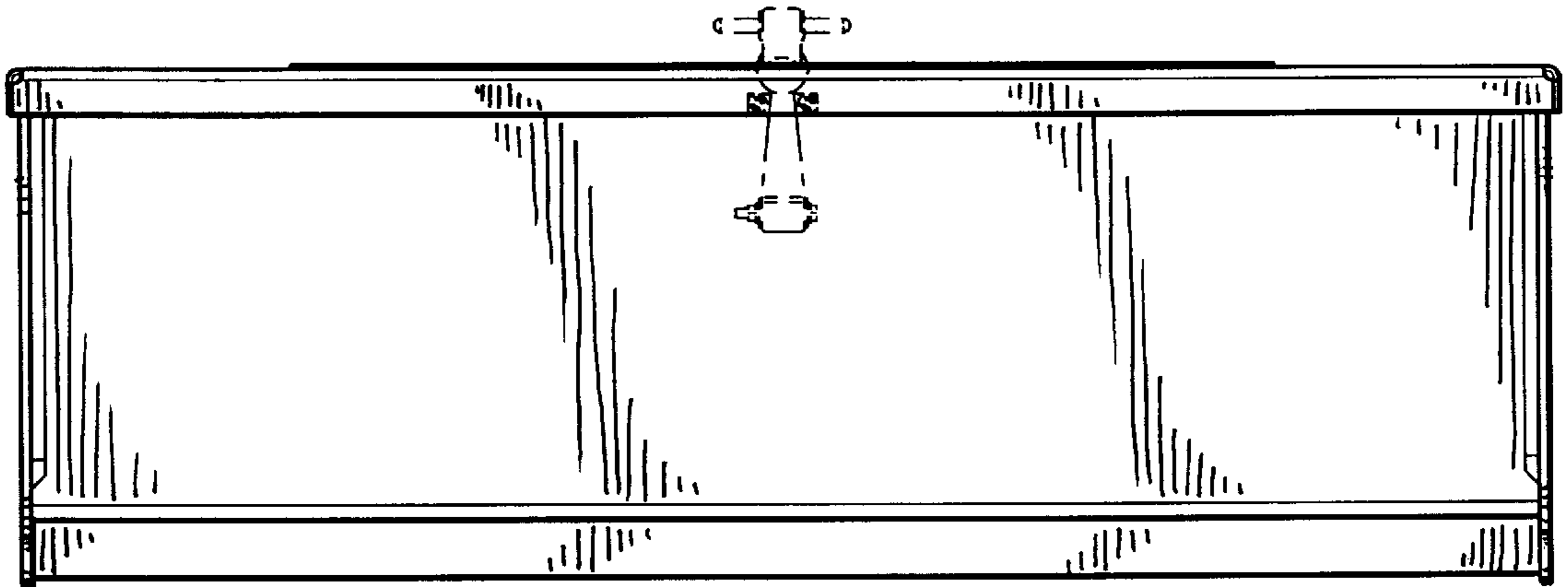


FIG. 9

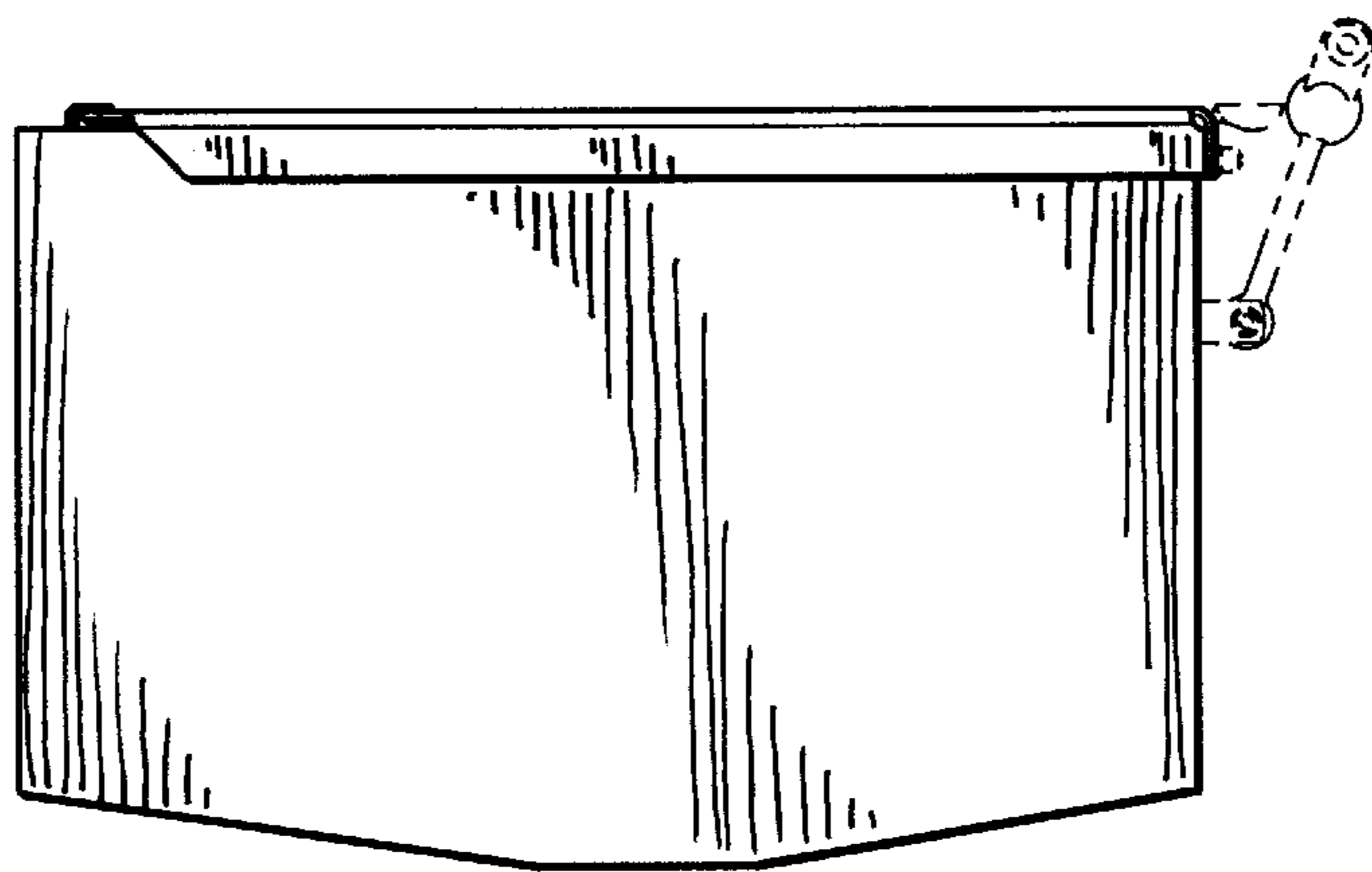


FIG. 10

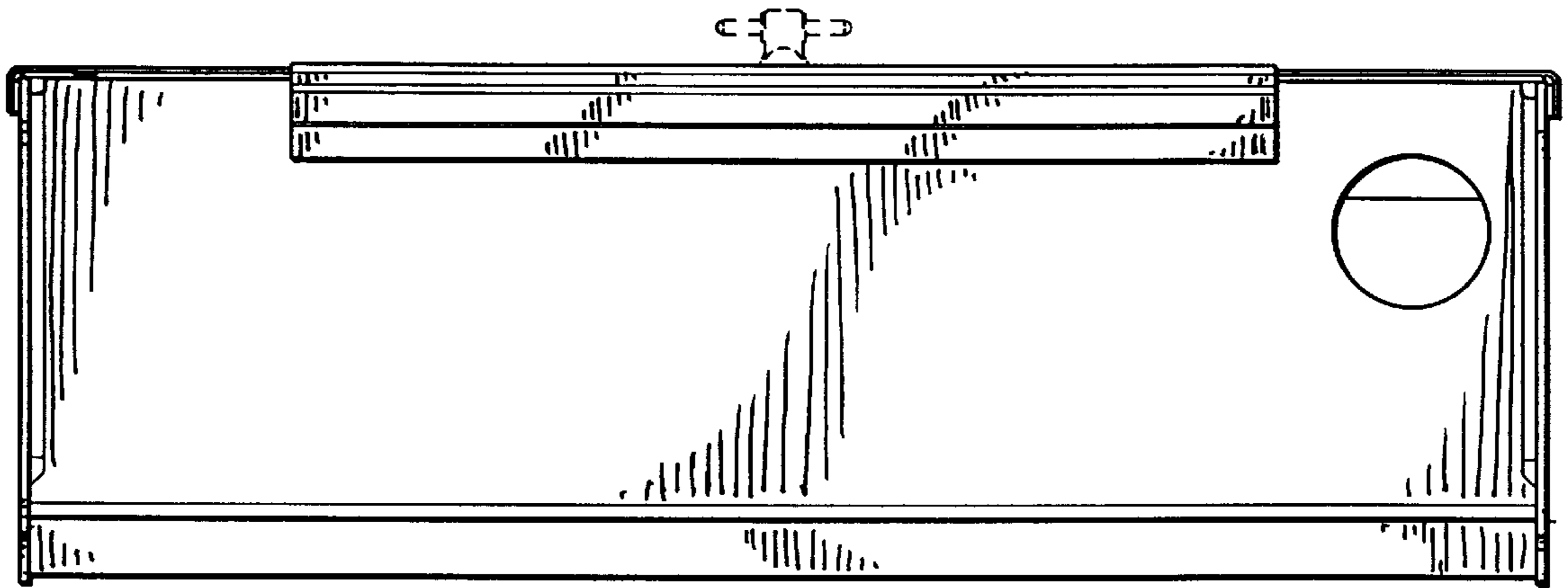


FIG. 11

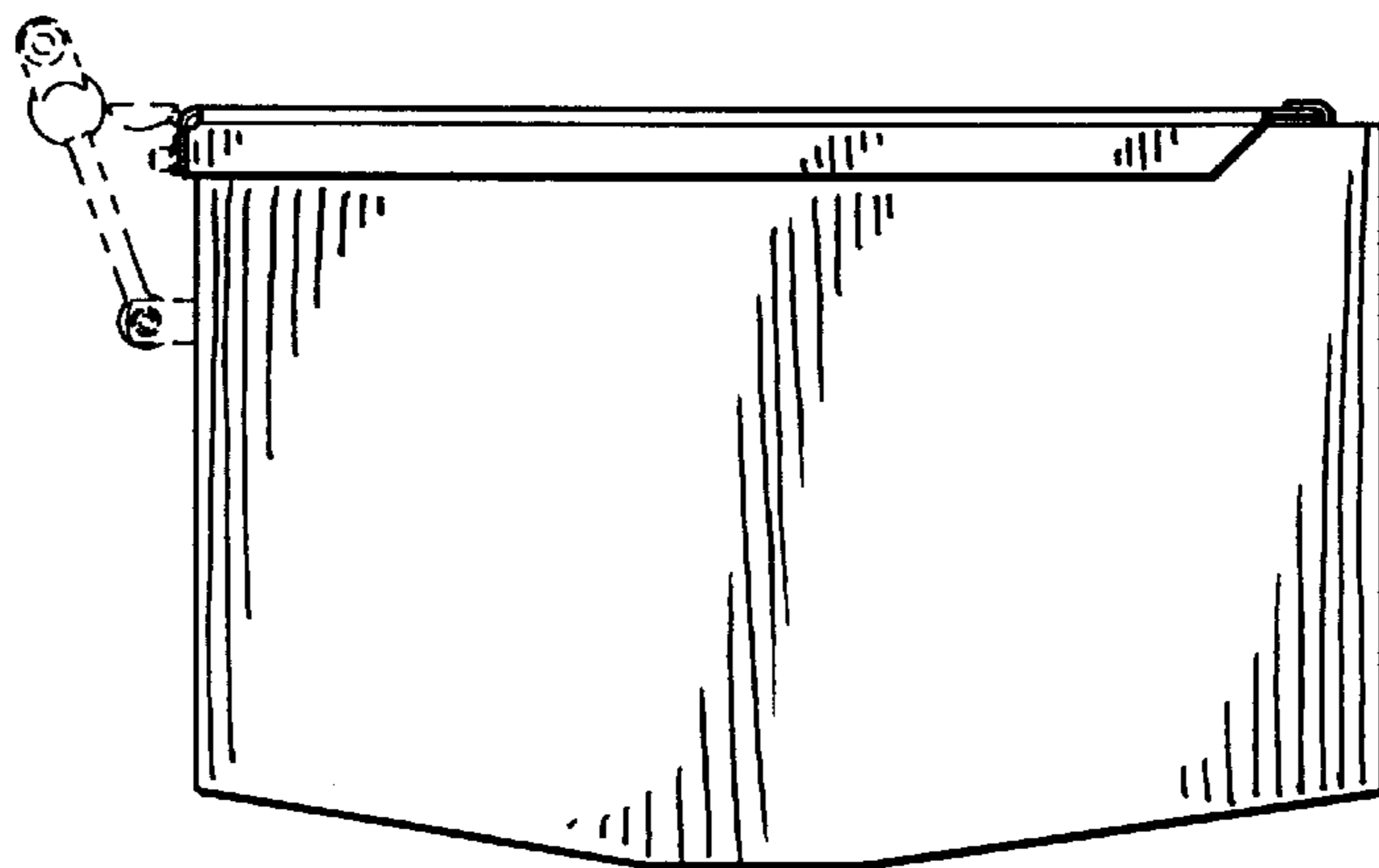


FIG. 12



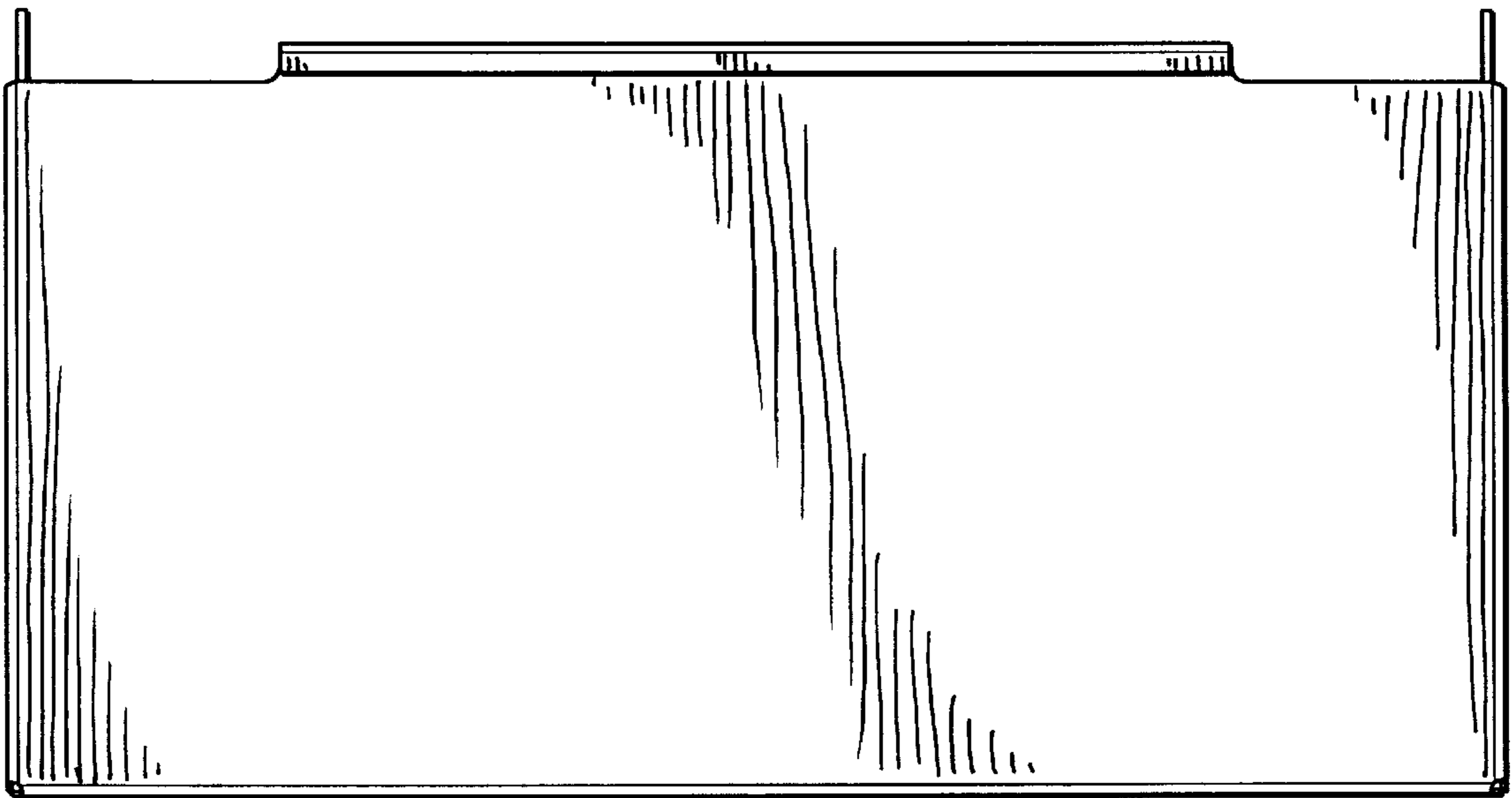


FIG. 13

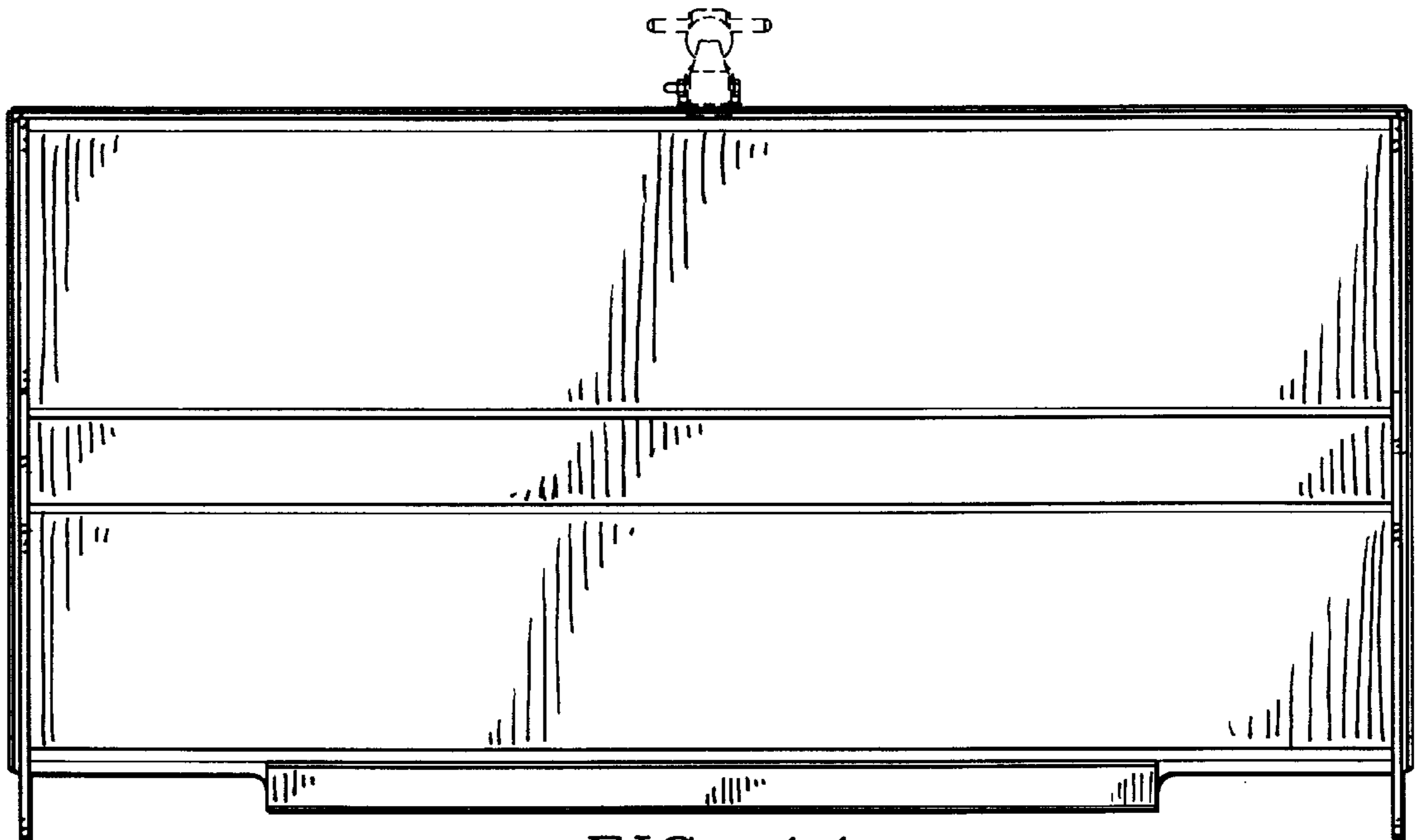


FIG. 14