



US00D433374S

United States Patent [19]
Wang

[11] **Patent Number: Des. 433,374**

[45] **Date of Patent: ** Nov. 7, 2000**

[54] **DISK WHEEL COVER**

[76] Inventor: **Chu-Li Wang**, No. 295, Lane 168, Sec. 1, Chang Hsi Road, Tainan, Taiwan

[**] Term: **14 Years**

[21] Appl. No.: **29/122,817**

[22] Filed: **May 4, 2000**

[30] **Foreign Application Priority Data**

Jan. 25, 2000 [TW] Taiwan 89300502

[51] **LOC (7) Cl.** **12-16**

[52] **U.S. Cl.** **D12/209**

[58] **Field of Search** D12/204-211;
301/37.1, 64.1, 65

[56] **References Cited**

U.S. PATENT DOCUMENTS

- D. 380,432 7/1997 Hettler D12/209
- D. 391,543 3/1998 Renkert D12/209
- D. 398,573 9/1998 Cattaneo D12/211
- D. 407,364 3/1999 Fisker D12/209

- D. 408,345 4/1999 Cullen D12/209
- D. 412,692 8/1999 Hussaini D12/209
- D. 416,848 11/1999 Bernoni D12/209
- D. 418,794 1/2000 Chung D12/209
- D. 421,417 3/2000 Weidhase D12/209
- D. 423,442 4/2000 Hussaini et al. D12/209

Primary Examiner—Stacia Cadmus
Attorney, Agent, or Firm—Bacon & Thomas, PLLC

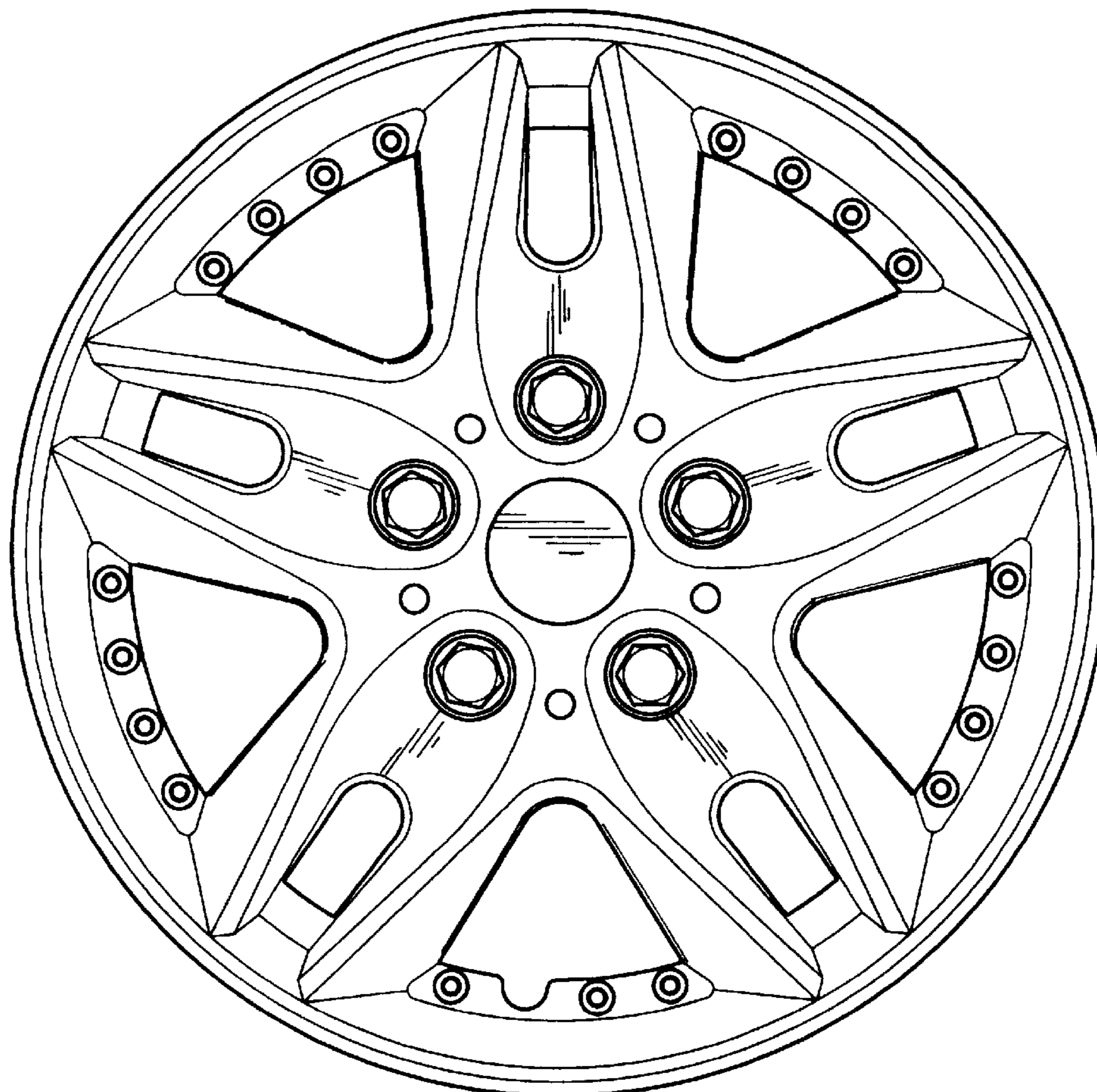
[57] **CLAIM**

The ornamental design for a disk wheel cover, as shown and described.

DESCRIPTION

FIG. 1 is a perspective view of a disk wheel cover showing my new design;
FIG. 2 is a right side elevational view thereof;
FIG. 3 is a top plan view thereof;
FIG. 4 is a front elevational view thereof;
FIG. 5 is a bottom plan view thereof;
FIG. 6 is a left side elevational view thereof; and,
FIG. 7 is a rear elevational view.

1 Claim, 4 Drawing Sheets



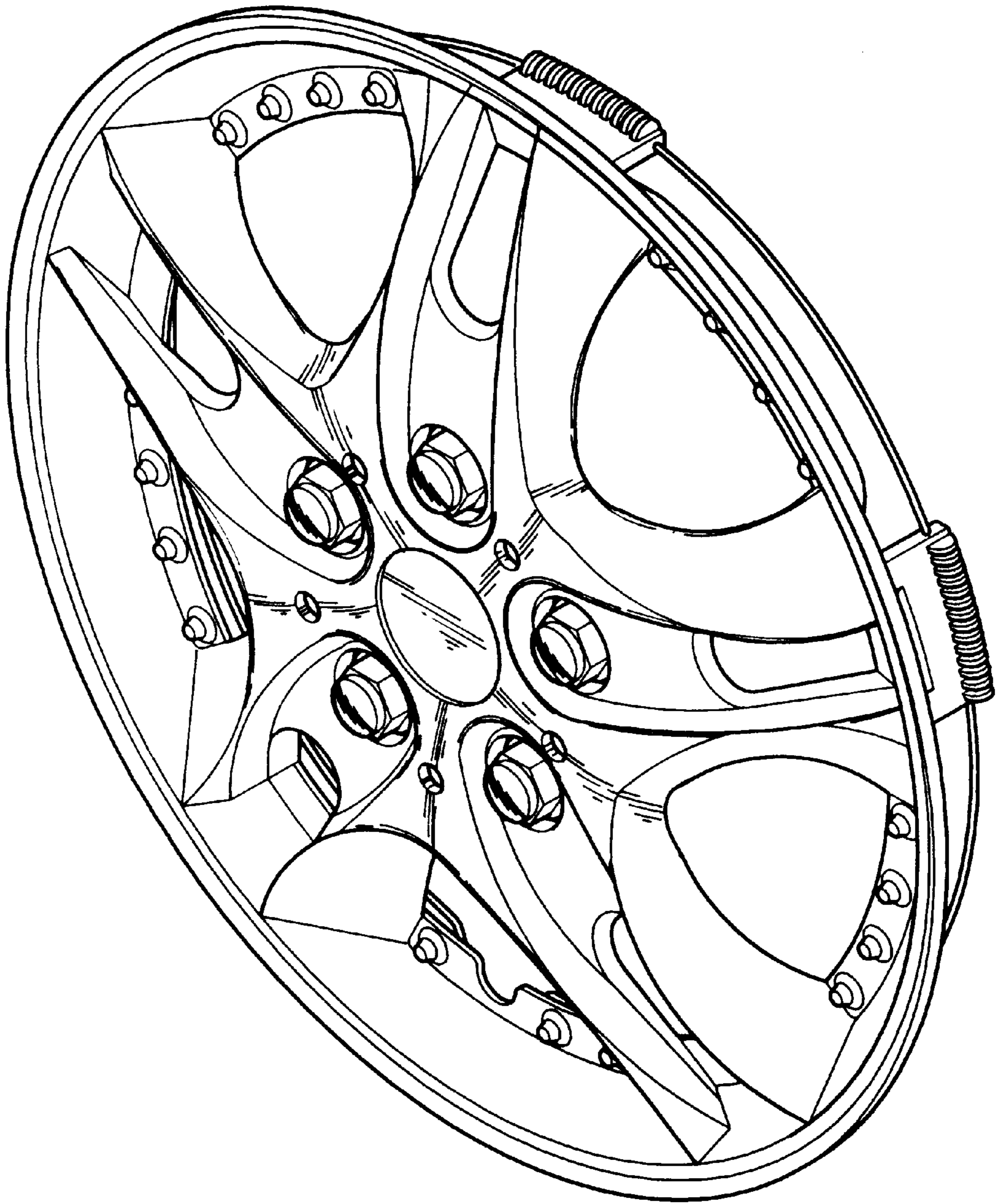


FIG. 1

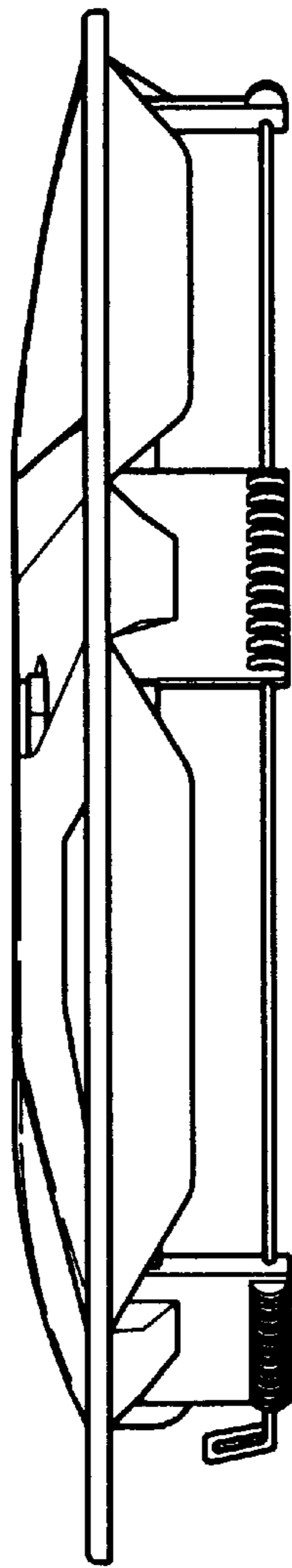


FIG. 2

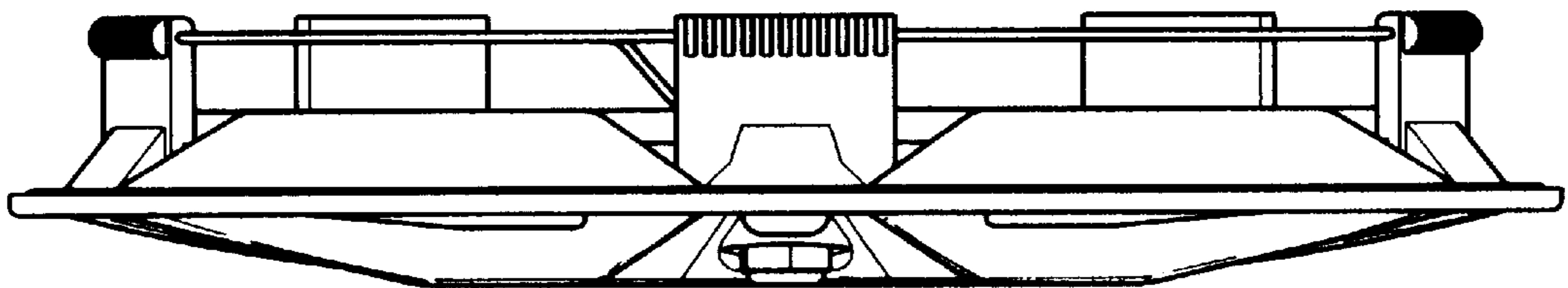


FIG. 3

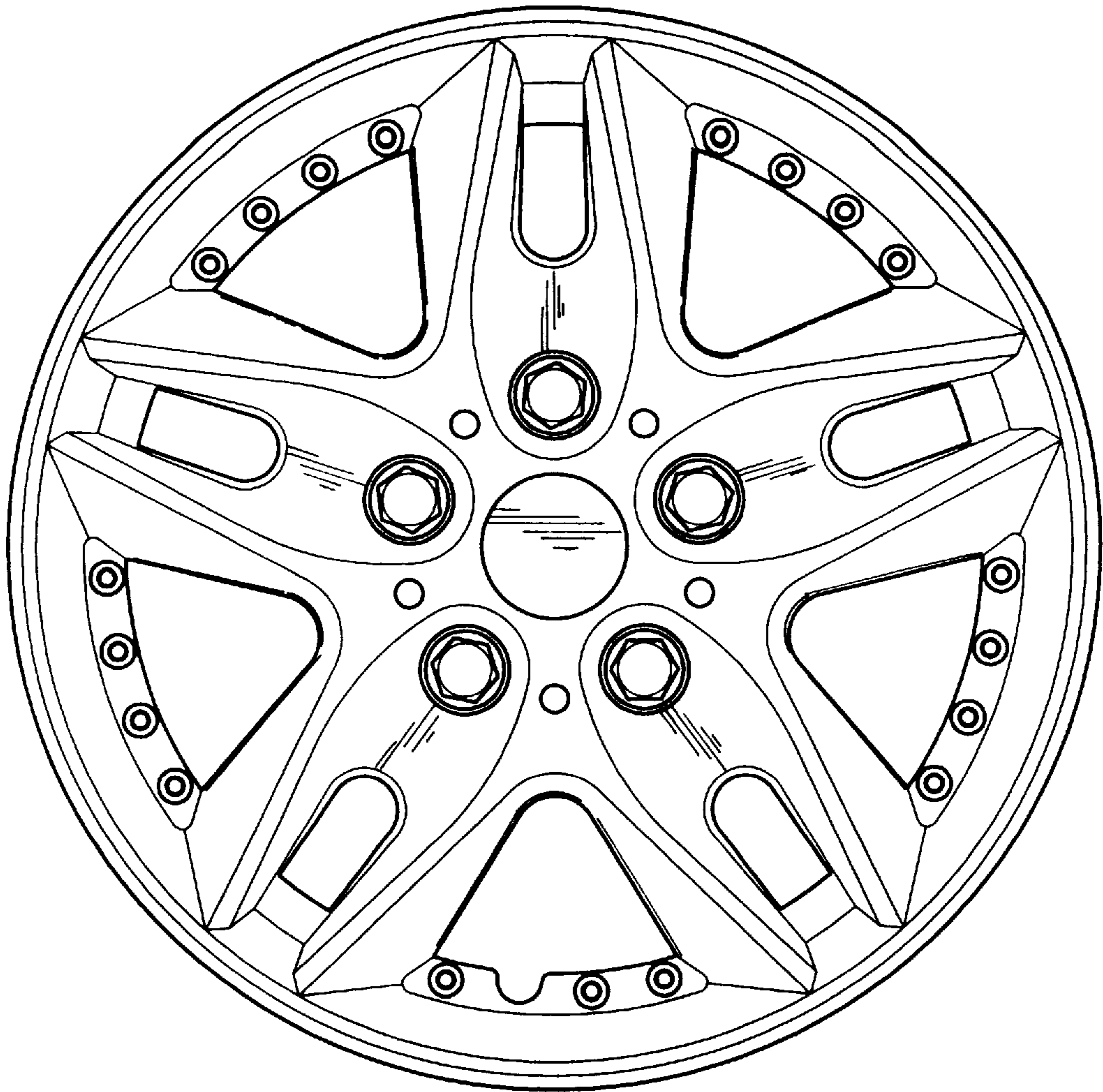


FIG. 4

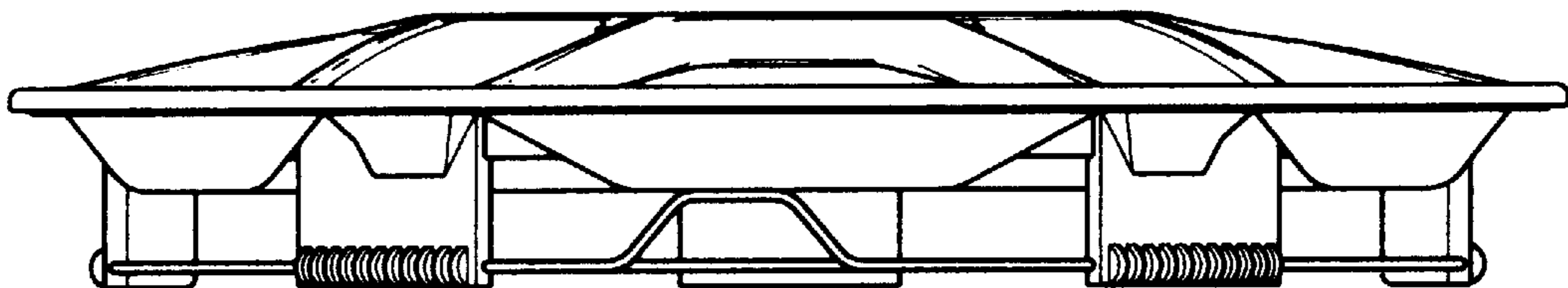


FIG. 5

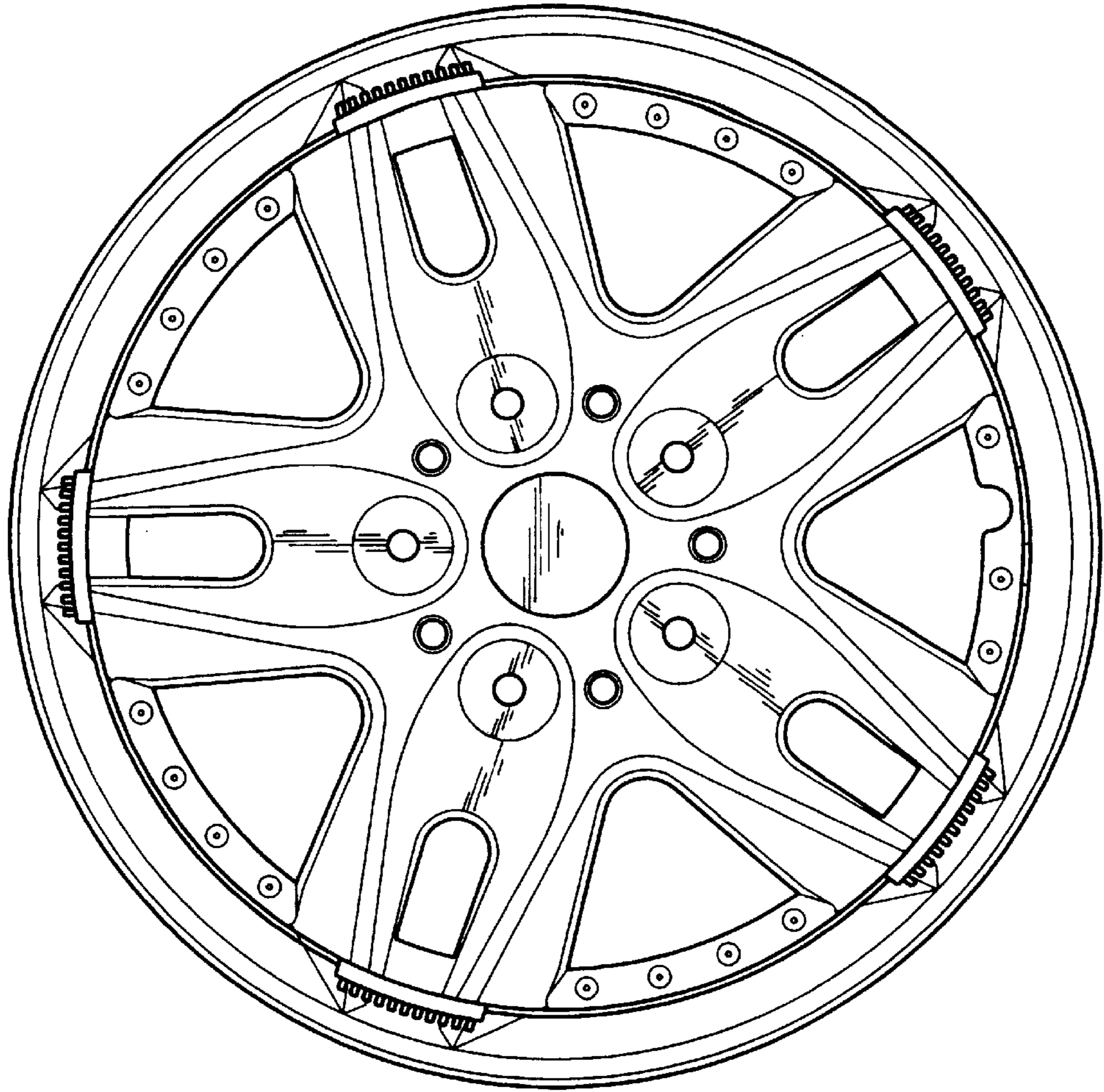


FIG. 7

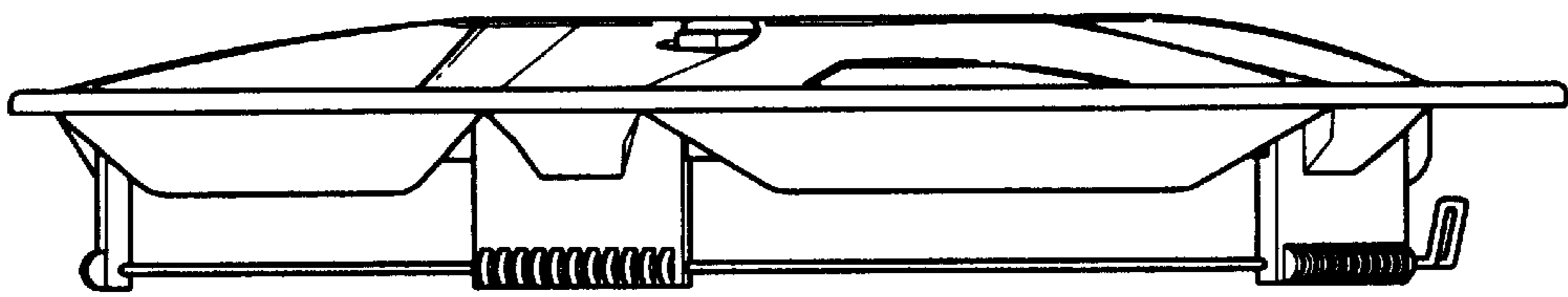


FIG. 6