



US00D433364S

United States Patent [19] Hayashi

[11] **Patent Number: Des. 433,364**

[45] **Date of Patent: ** Nov. 7, 2000**

[54] **FRONT PORTION OF A MOTOR VEHICLE**

[75] Inventor: **Kouichi Hayashi**, Hiroshima, Japan

[73] Assignee: **Mazda Motor Corporation**,
Hiroshima-Ken, Japan

[**] Term: **14 Years**

[21] Appl. No.: **29/111,085**

[22] Filed: **Sep. 20, 1999**

Related U.S. Application Data

[62] Division of application No. 29/097,182, Nov. 30, 1998.

[51] **LOC (7) Cl.** **12-16**

[52] **U.S. Cl.** **D12/196**

[58] **Field of Search** D12/196, 163,
D12/169, 90-92; 296/185

[56] References Cited

U.S. PATENT DOCUMENTS

D. 360,606	7/1995	Holmes et al.	D12/91
D. 367,443	2/1996	Sacco et al.	D12/96
D. 403,285	12/1998	Abalos et al.	D12/163
D. 403,989	1/1999	Honda et al.	D12/91
D. 404,697	1/1999	Siltvouri	D12/163
D. 406,795	3/1999	Noyura et al.	D12/91
D. 417,425	12/1999	Shimazu	D12/196

FOREIGN PATENT DOCUMENTS

666149 11/1985 Japan .

OTHER PUBLICATIONS

Foreign Language Document entitled "Mono Magazine", No. 25, vol. 13 dated Dec. 2, 1994, p. 93 cited in Notice of Reasons for Rejection dated Apr. 28, 2000 from Japanese Patent Office.

Primary Examiner—Melody N. Brown
Attorney, Agent, or Firm—Sidley & Austin; Hugh A. Abrams

[57] CLAIM

The ornamental design for a front portion of a motor vehicle, as shown and described.

DESCRIPTION

FIG. 1 is a perspective view of a front portion of a motor vehicle showing our new design;
FIG. 2 is a front elevational view thereof;
FIG. 3 is a rear elevational view thereof;
FIG. 4 is a right side elevational view thereof;
FIG. 5 is a left side elevational view thereof;
FIG. 6 is a top plan view thereof;
FIG. 7 is a perspective view of a front portion of a vehicle showing a second embodiment of our new design;
FIG. 8 is a front elevational view of FIG. 7;
FIG. 9 is a rear elevational view of FIG. 7;
FIG. 10 is a right side elevational view of FIG. 7;
FIG. 11 is a left side elevational view of FIG. 7; and,
FIG. 12 is a top plan view of FIG. 7.

The portion of the motor vehicle shown in broken lines is for illustrative purpose only and forms no part of the claimed design.

1 Claim, 10 Drawing Sheets

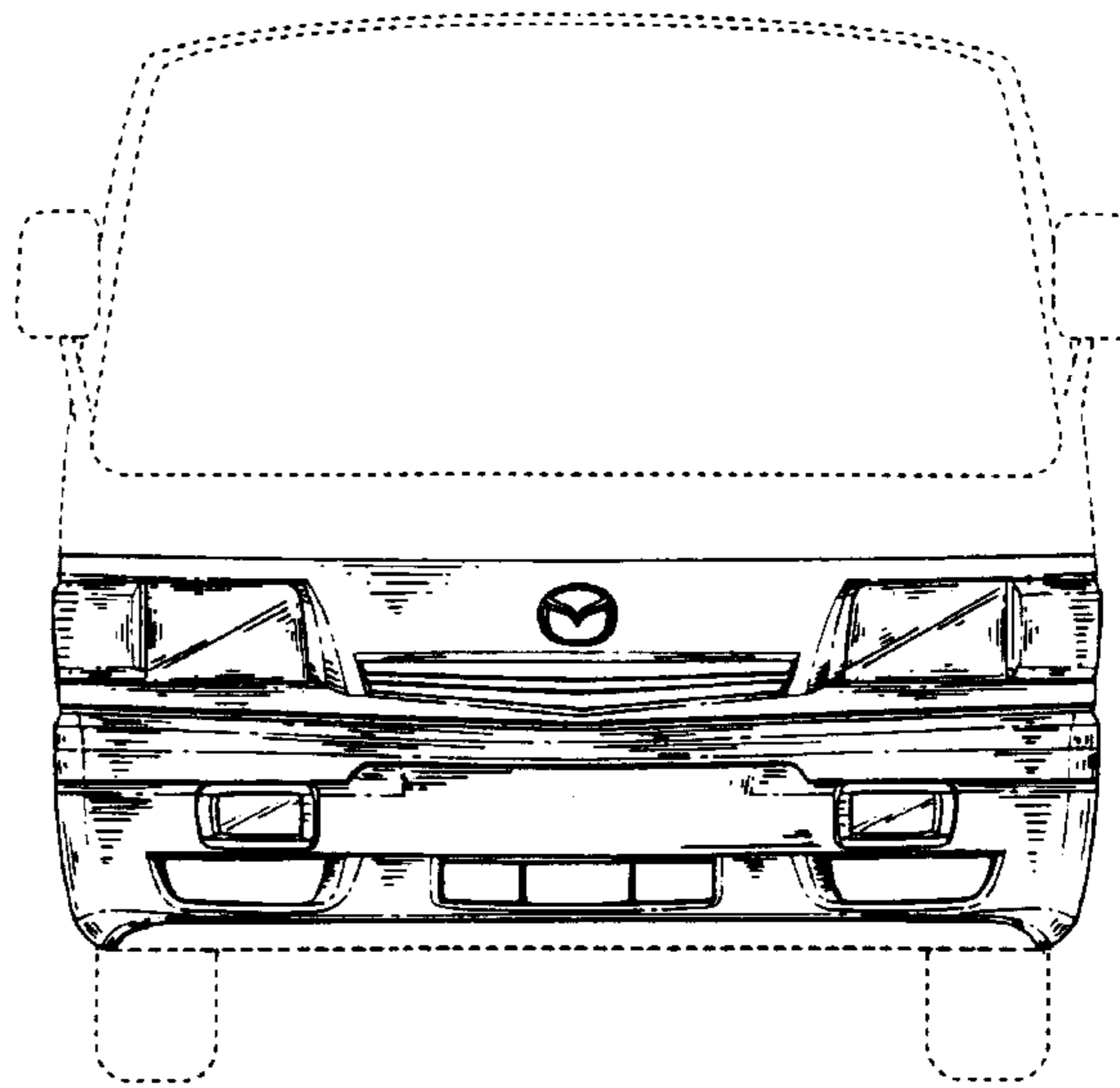
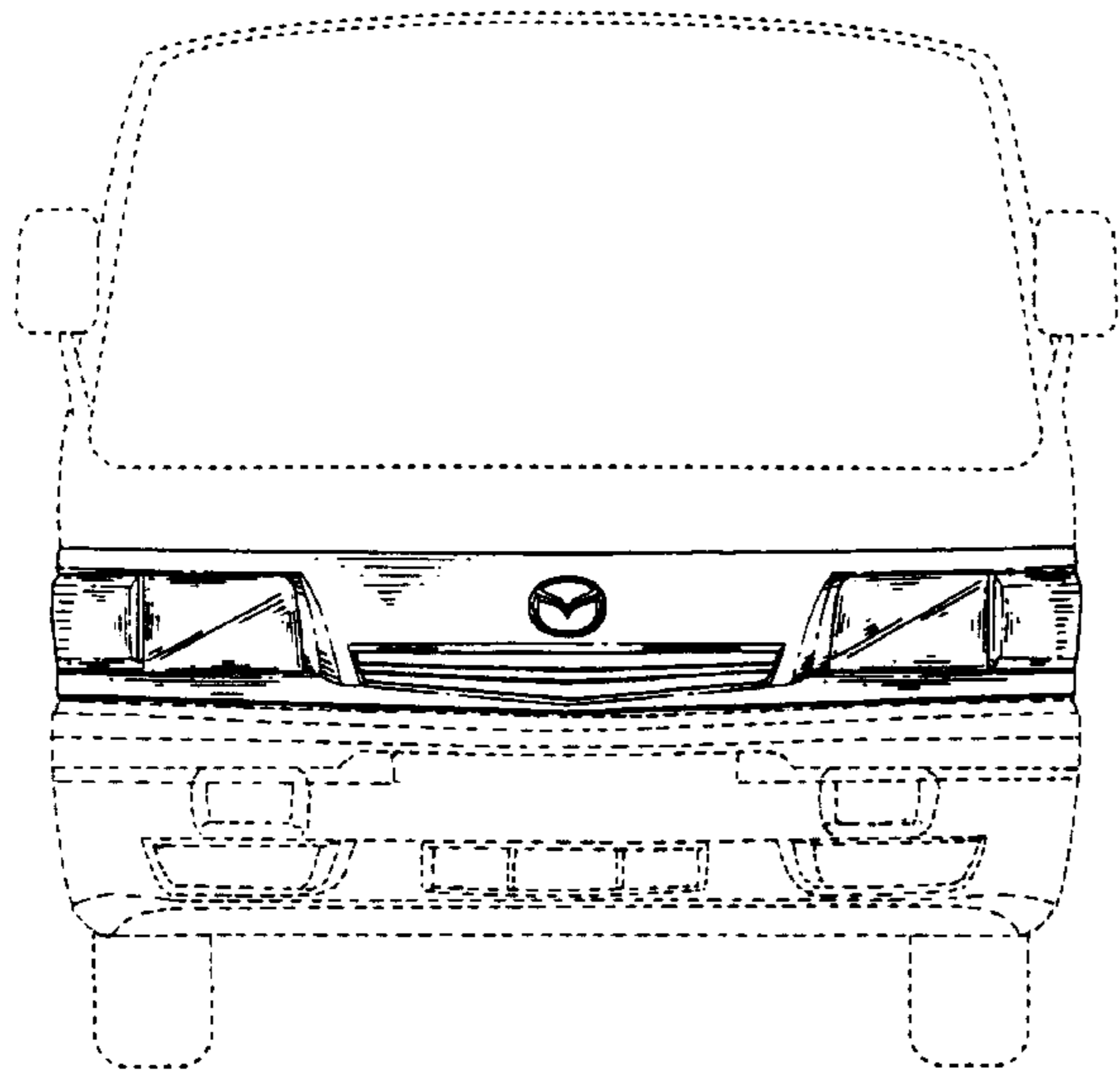


FIG. 1

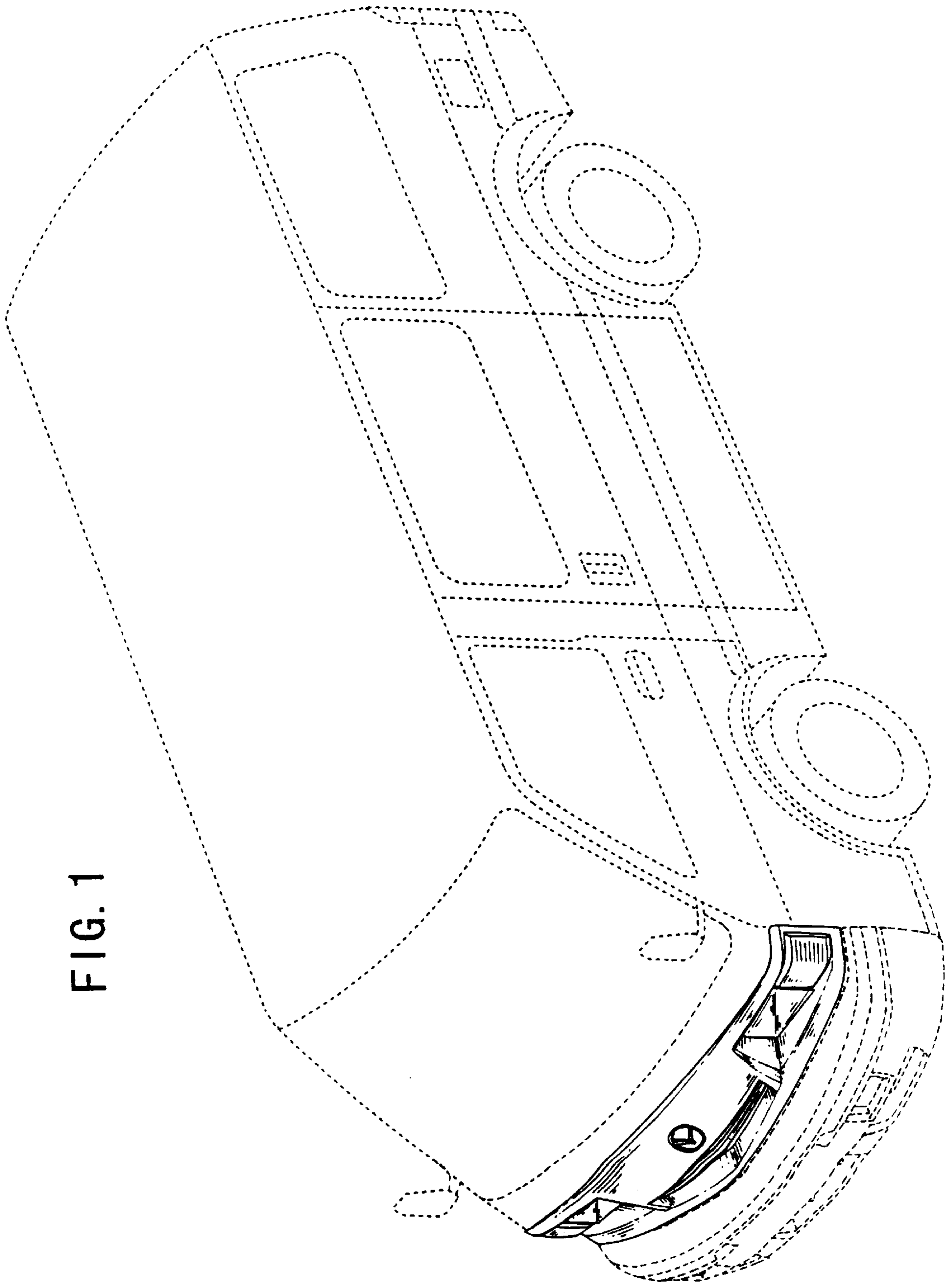


FIG. 2

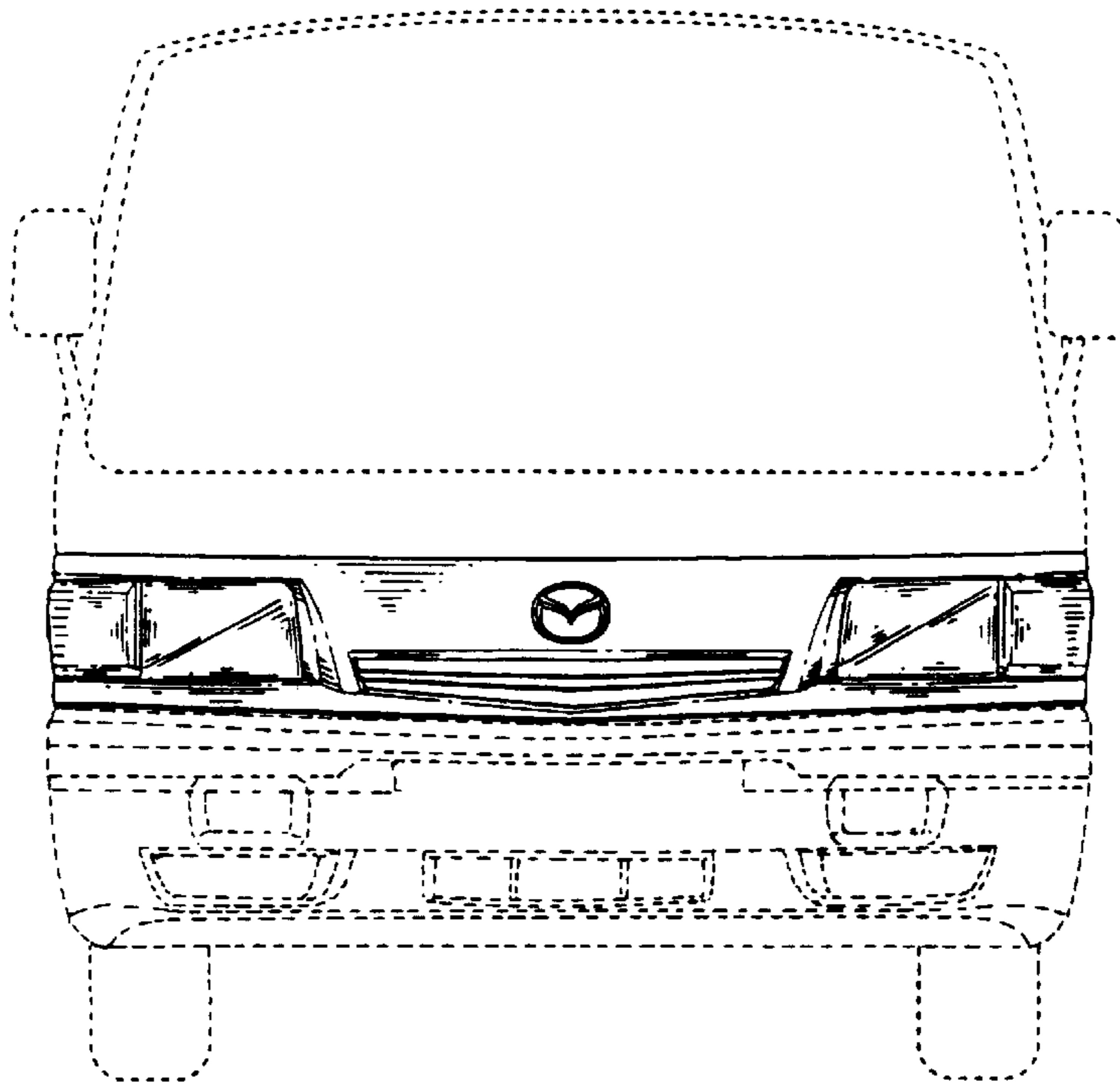


FIG. 3

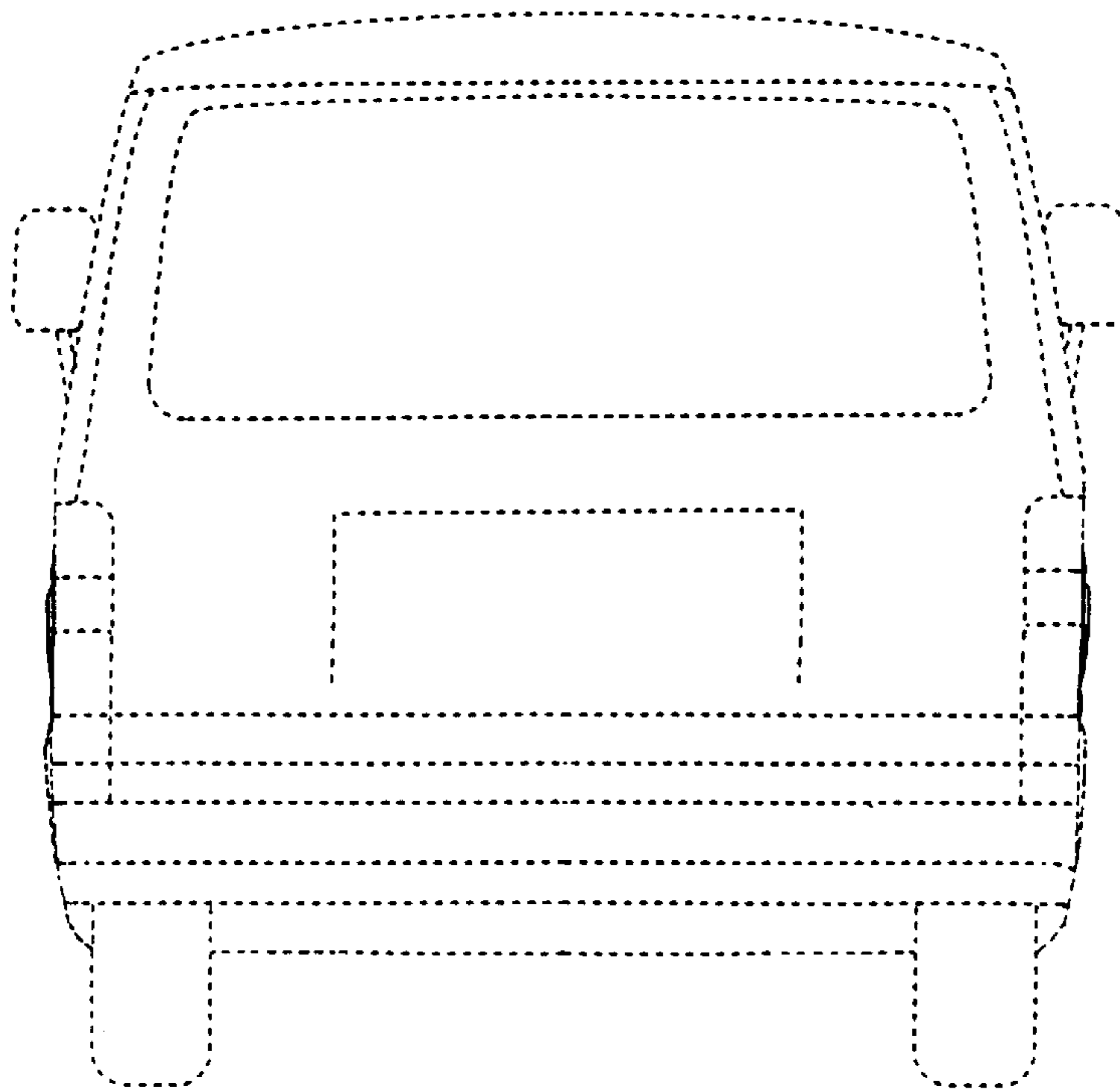


FIG. 4

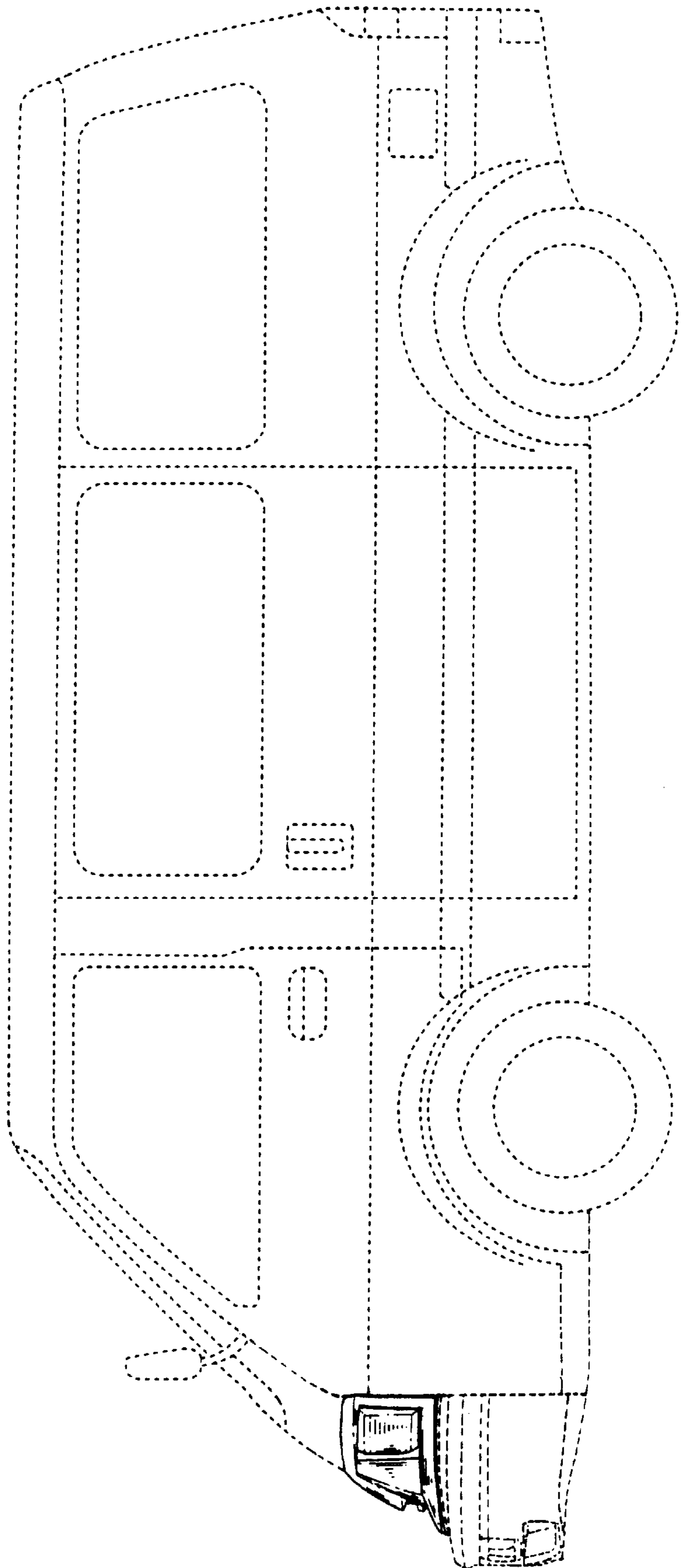


FIG. 5

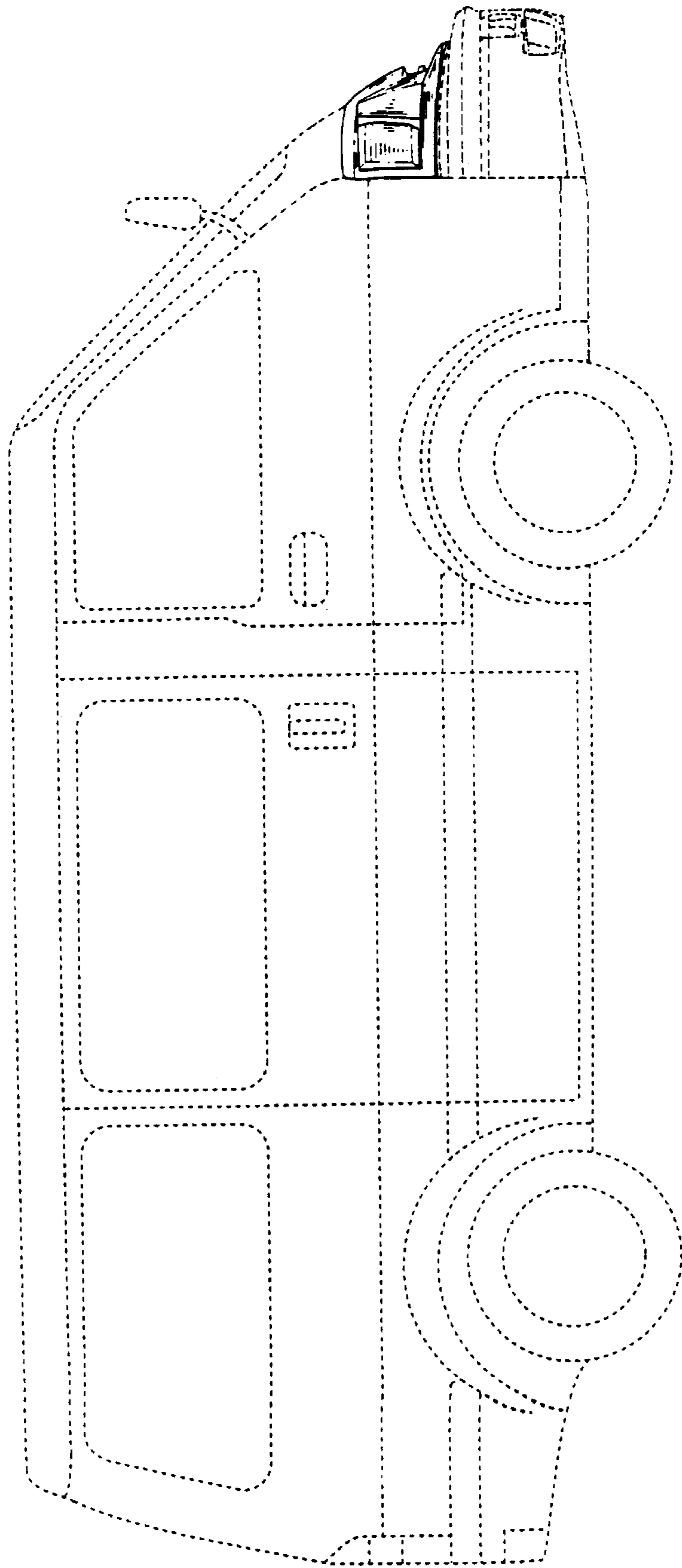


FIG. 6

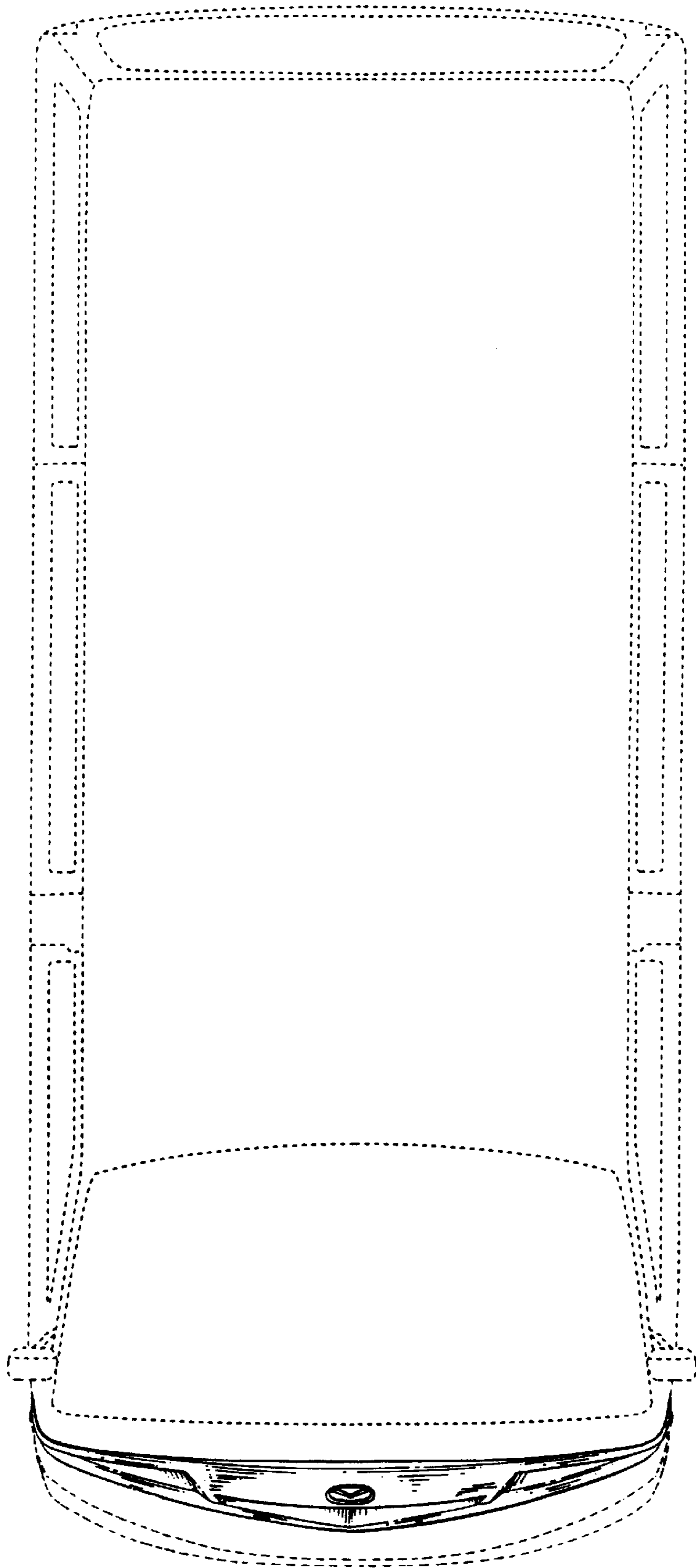


FIG. 7

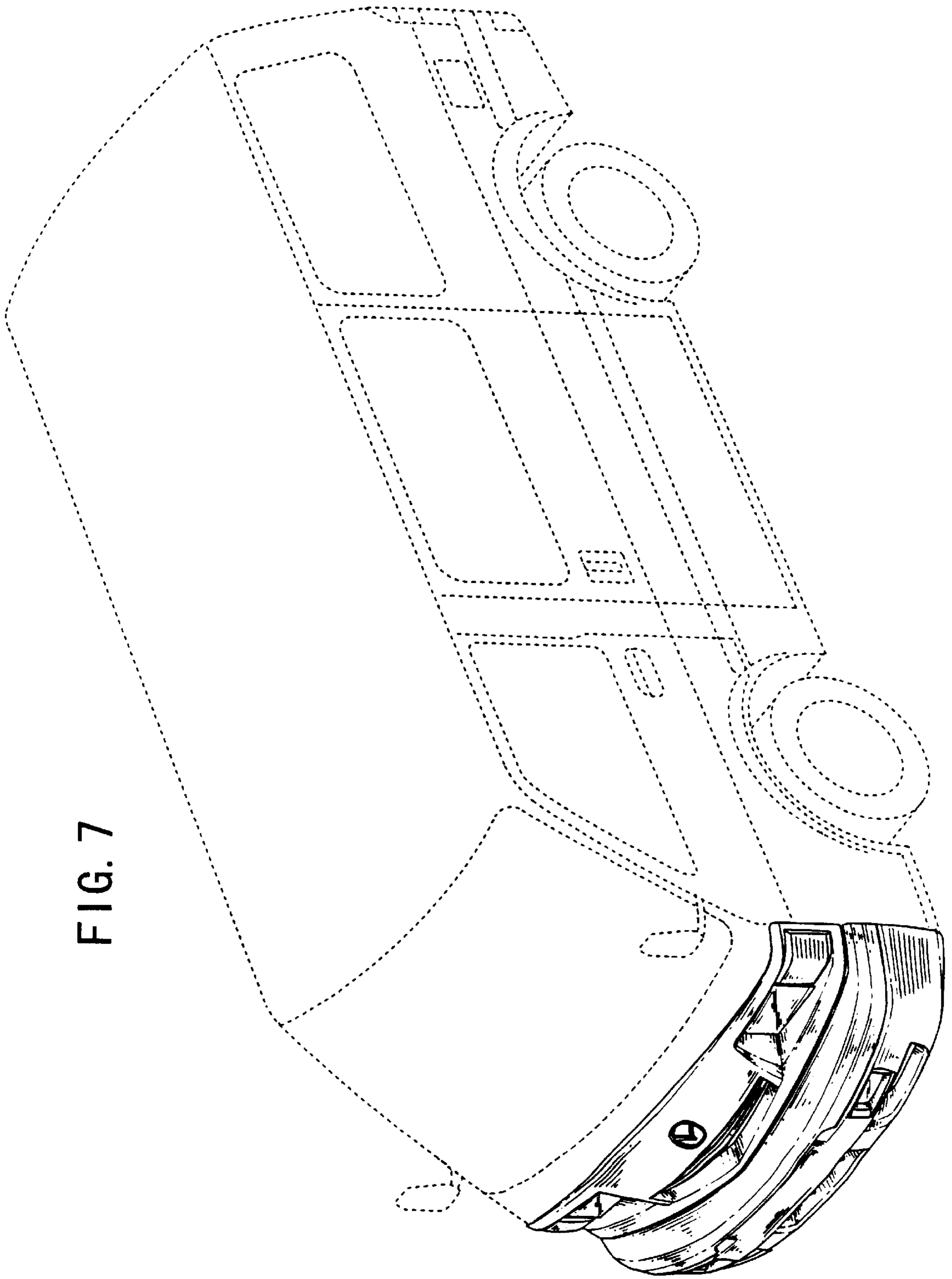


FIG. 8

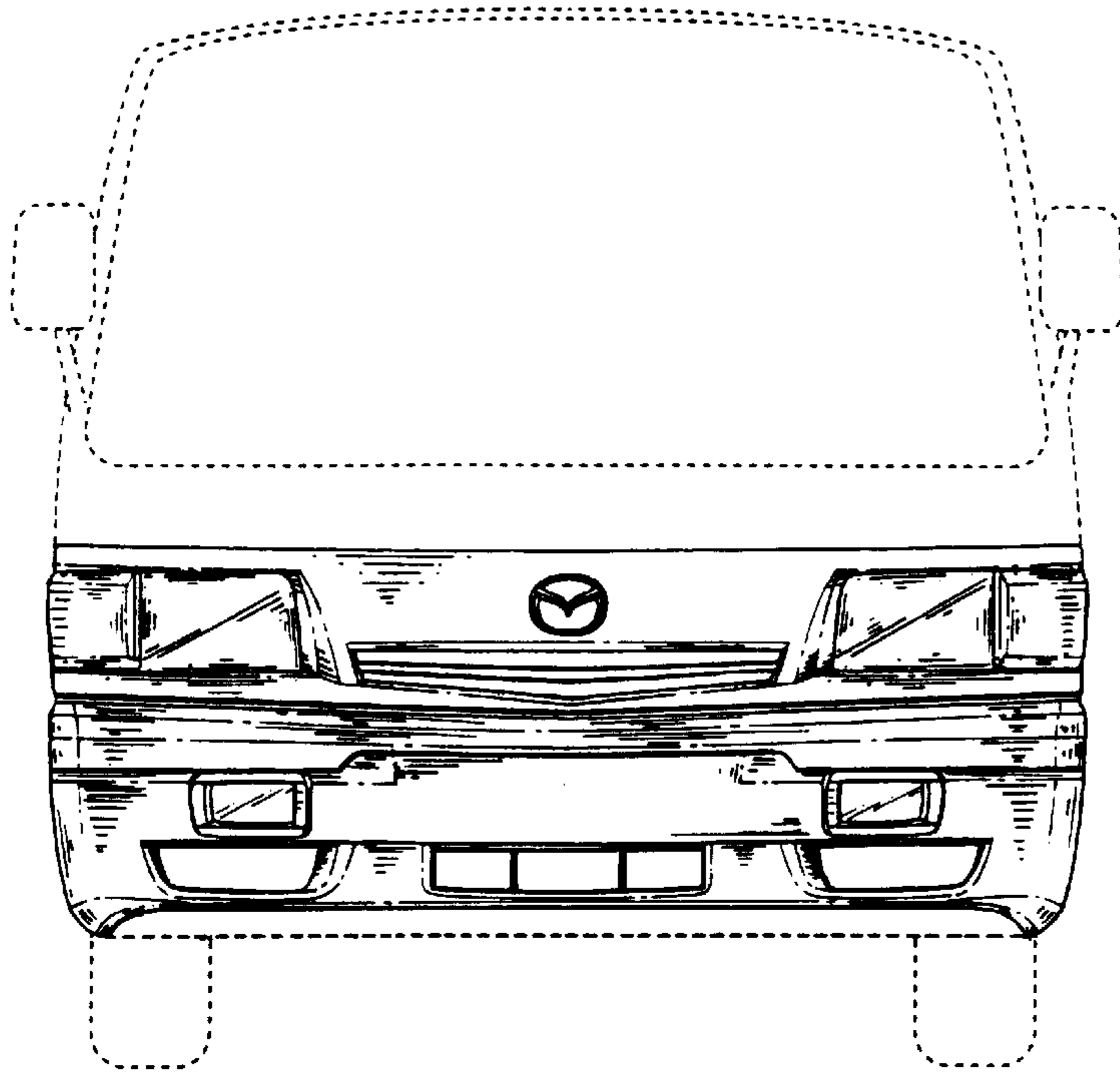


FIG. 9

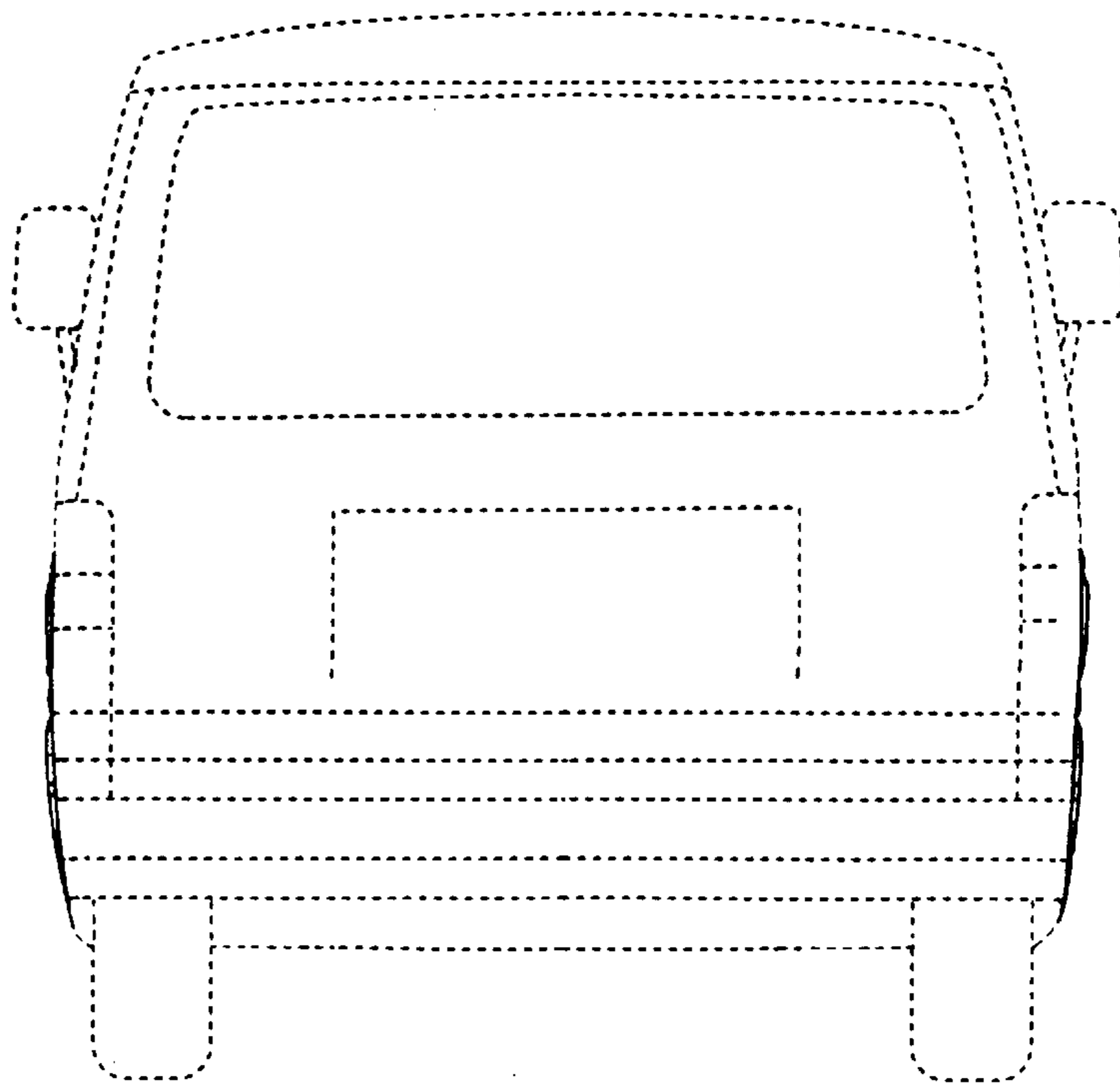


FIG. 10

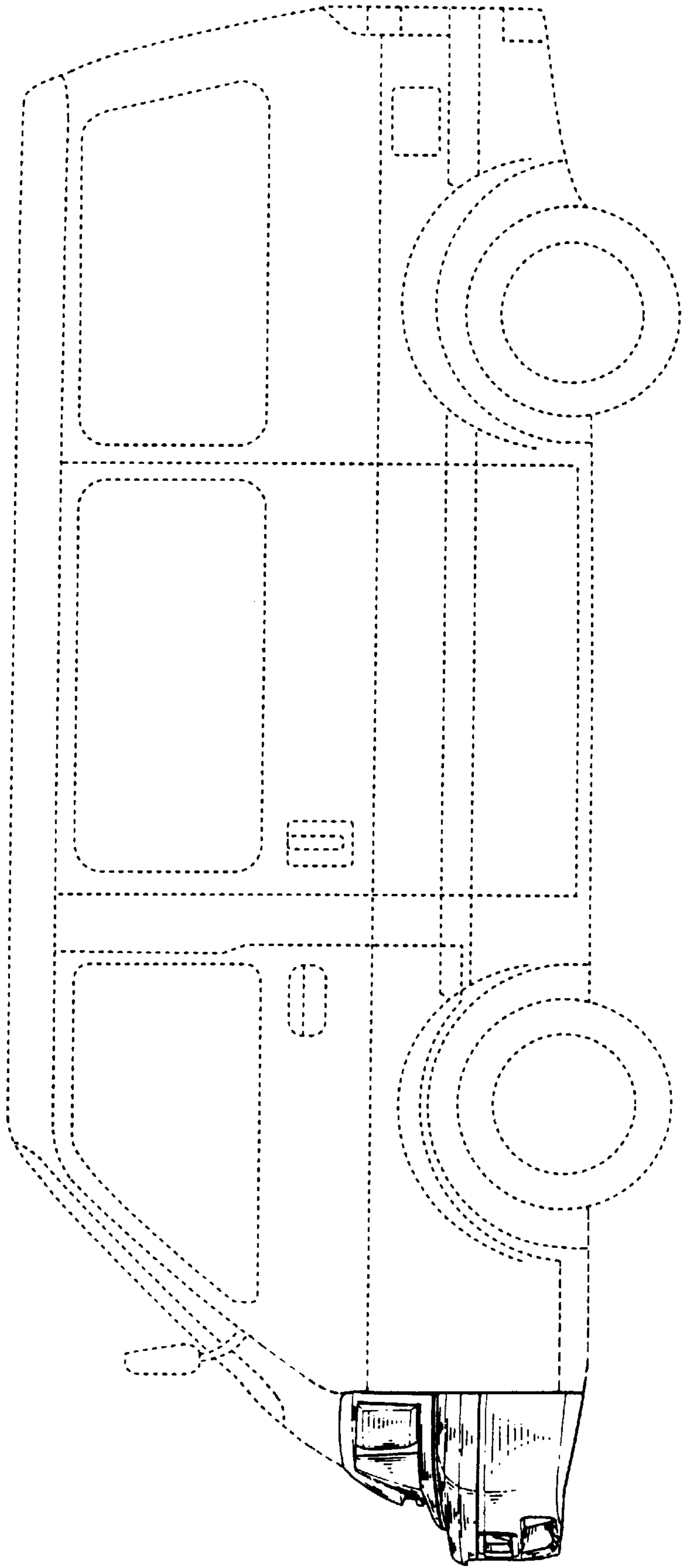


FIG. 11

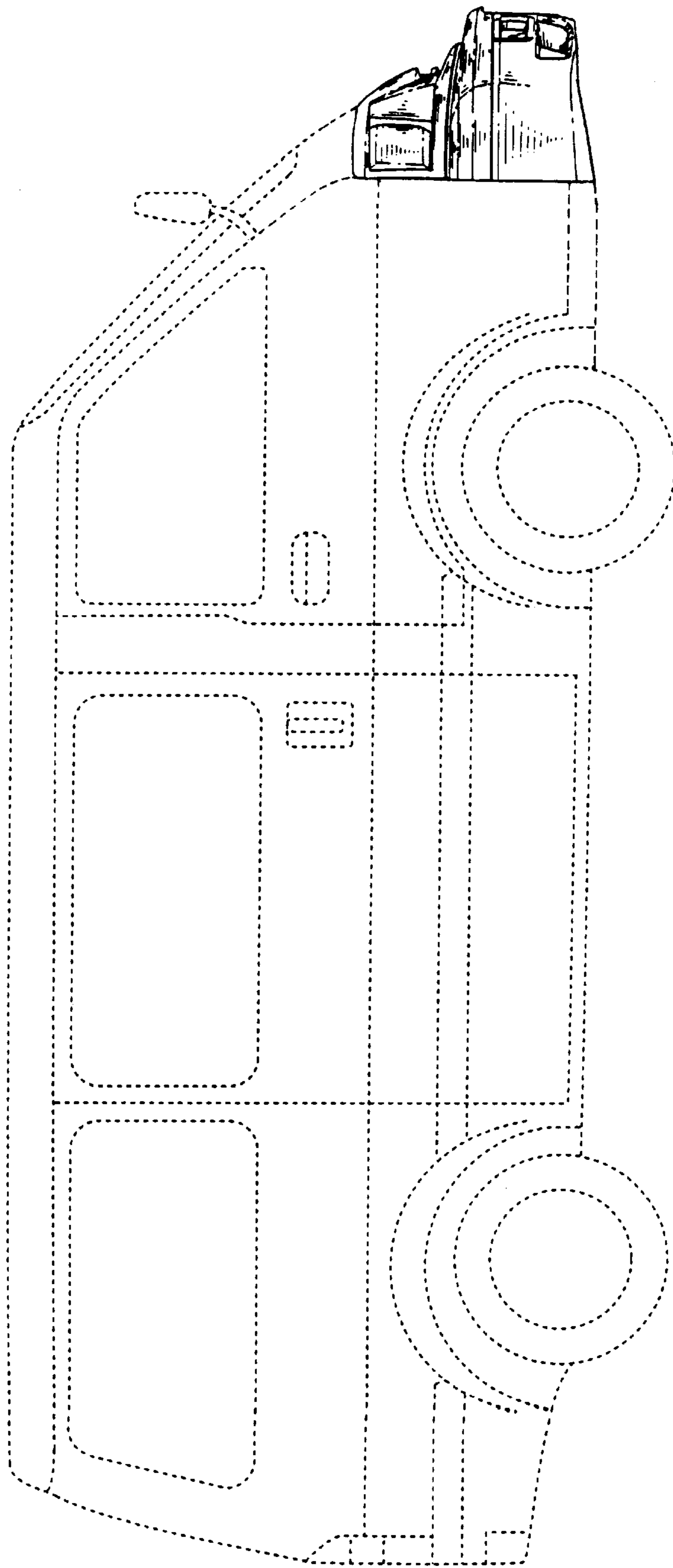


FIG. 12

