



US00D433359S

# United States Patent [19]

Hoyle, Jr.

[11] **Patent Number: Des. 433,359**

[45] **Date of Patent: \*\* Nov. 7, 2000**

[54] **PORTION OF A TRUCK COWL HOOD**

D. 386,457 11/1997 Wittine ..... D12/173  
D. 391,909 3/1998 Wittine ..... D12/173

[75] Inventor: **Frederick L. Hoyle, Jr.**, Pickerington, Ohio

*Primary Examiner*—Melody N. Brown  
*Attorney, Agent, or Firm*—Gifford, Krass, Groh, Sprinkle, Anderson & Citkowski, P.C.

[73] Assignee: **Reflexxion Automotive Products LLC**, Memphis, Tenn.

[\*\*] Term: **14 Years**

### [57] CLAIM

[21] Appl. No.: **29/117,641**

I claim the ornamental design for a portion of a truck cowl hood, as shown and described.

[22] Filed: **Jan. 28, 2000**

### DESCRIPTION

[51] **LOC (7) Cl.** ..... **12-16**

FIG. 1 is a left side perspective view of the portion of truck cowl hood forming a part of the present design;

[52] **U.S. Cl.** ..... **D12/173**

FIG. 2 is a front perspective view forming a part of the present design; and,

[58] **Field of Search** ..... D12/173, 90-92, D12/196; 180/6.86, 69.2, 69.21, 69.22

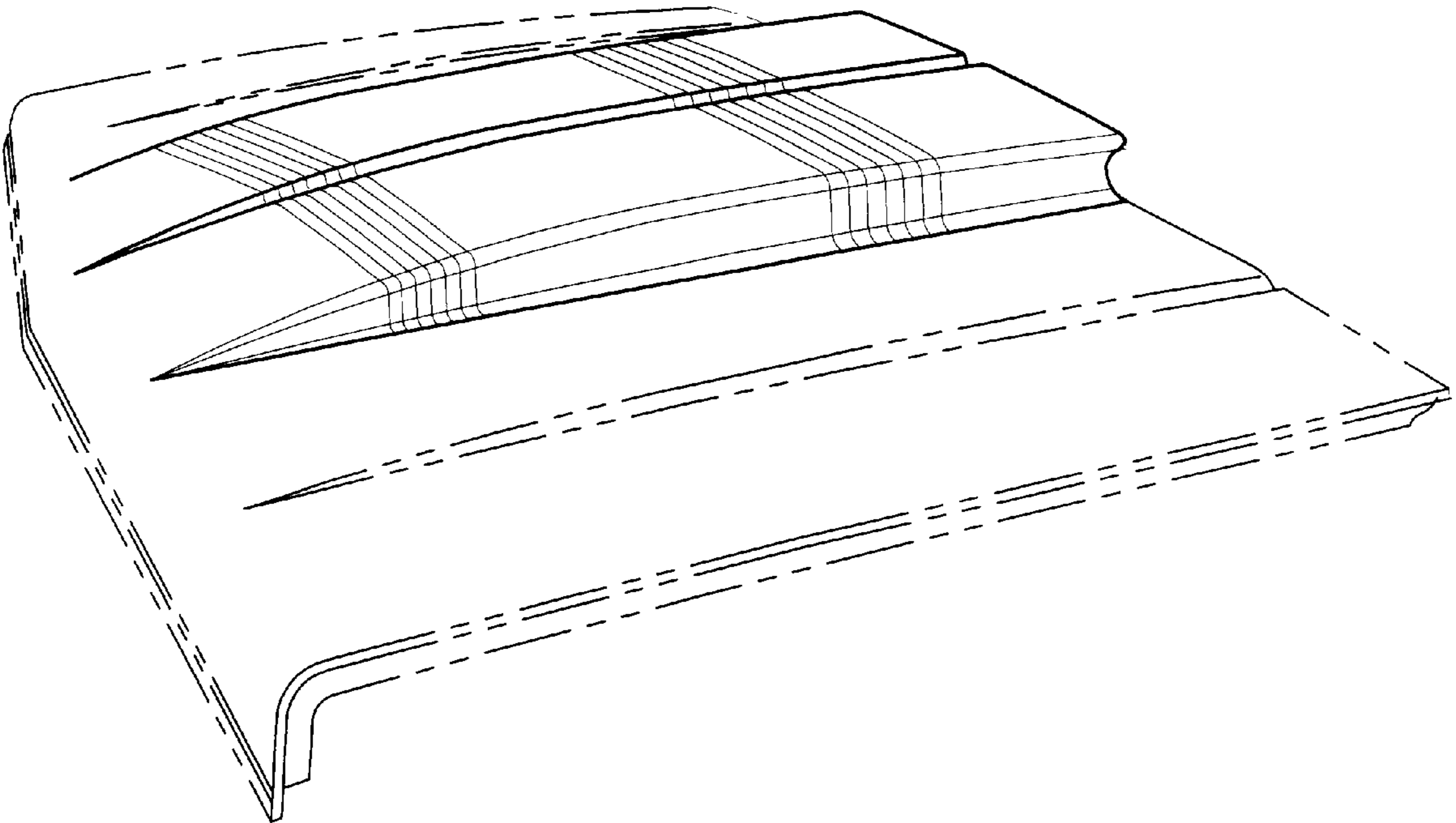
FIG. 3 is a right side view forming a part of the present design, corresponding left side being a mirror image thereof.

### [56] References Cited

#### U.S. PATENT DOCUMENTS

D. 353,124 12/1994 Benningfield ..... D12/173

**1 Claim, 1 Drawing Sheet**



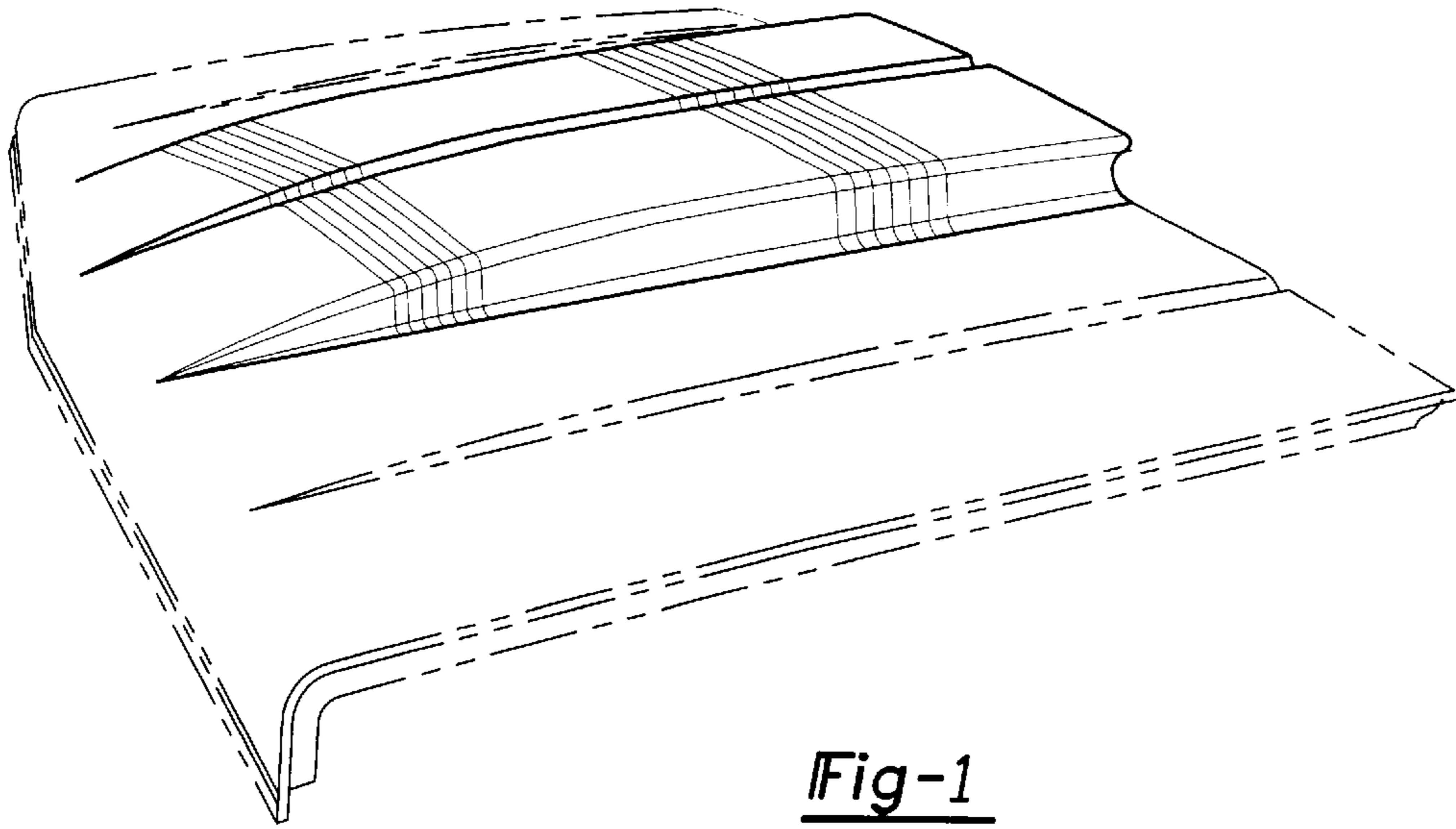


Fig-1

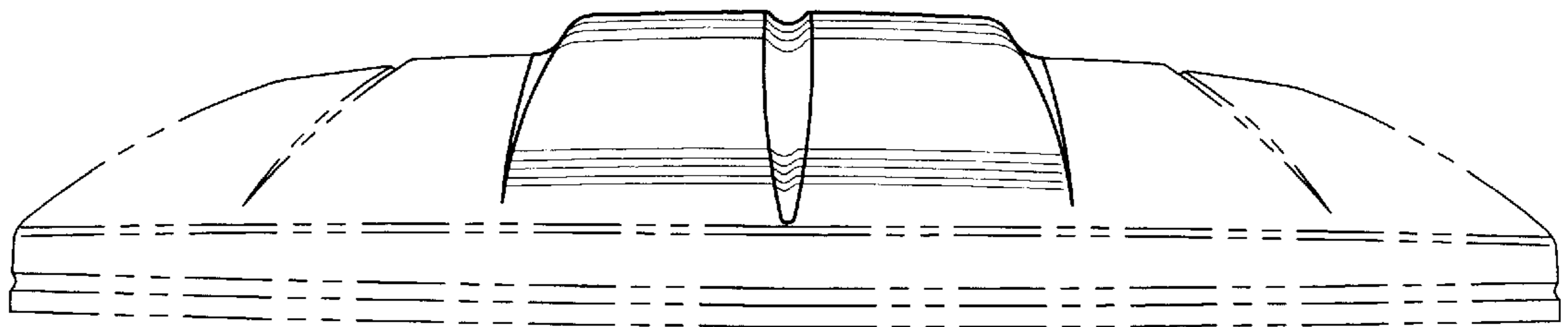


Fig-2

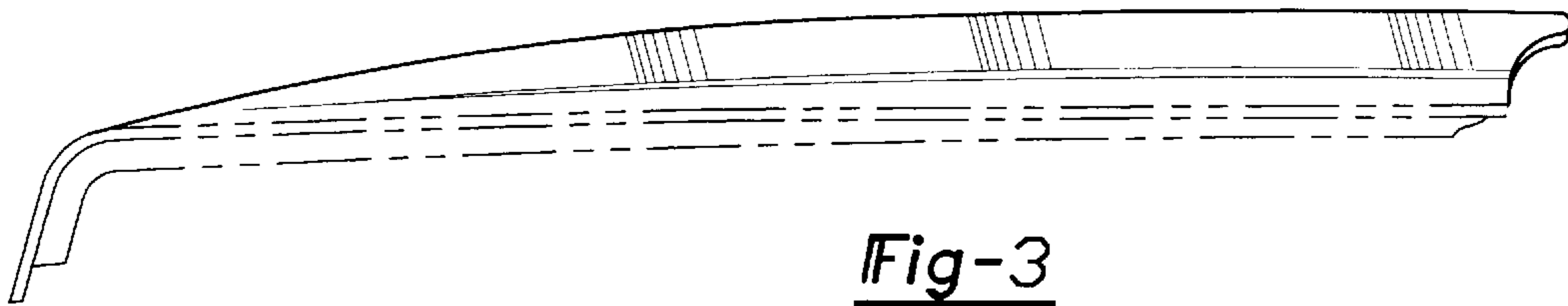


Fig-3