



US00D433357S

**United States Patent** [19]  
**McCoy et al.**

[11] **Patent Number: Des. 433,357**  
[45] **Date of Patent: \*\* Nov. 7, 2000**

[54] **RECEIVER HITCH**

[75] Inventors: **Richard W. McCoy**, Granger; **Thomas W. Lindenman**, South Bend, both of Ind.

[73] Assignee: **Reese Products, Inc.**, Elkhart, Ind.

[\*\*] Term: **14 Years**

[21] Appl. No.: **29/113,157**

[22] Filed: **Oct. 29, 1999**

[51] **LOC (7) Cl.** ..... **12-16**

[52] **U.S. Cl.** ..... **D12/162**

[58] **Field of Search** ..... D12/162; 280/415.1-417.1, 280/408, 420, 423.1, 456.1, 476.1, 504-505, 507-511, 490.1, 789, 477, 402-406.2; 296/26.08; 293/116, 117

[56] **References Cited**

**U.S. PATENT DOCUMENTS**

- D. 265,645 8/1982 Hampton ..... D12/162
- D. 268,574 4/1983 Hampton ..... D12/162

- D. 341,117 11/1993 Sundstedt ..... D12/162
- D. 367,632 3/1996 Grieve ..... D12/162
- D. 379,343 5/1997 Shaw et al. .... D12/162
- D. 420,631 2/2000 Shaw et al. .... D12/162
- 5,476,279 12/1995 Klemetsen ..... 280/415.1

*Primary Examiner*—Stacia Cadmus  
*Attorney, Agent, or Firm*—Leon E. Redman; Lloyd D. Doigan

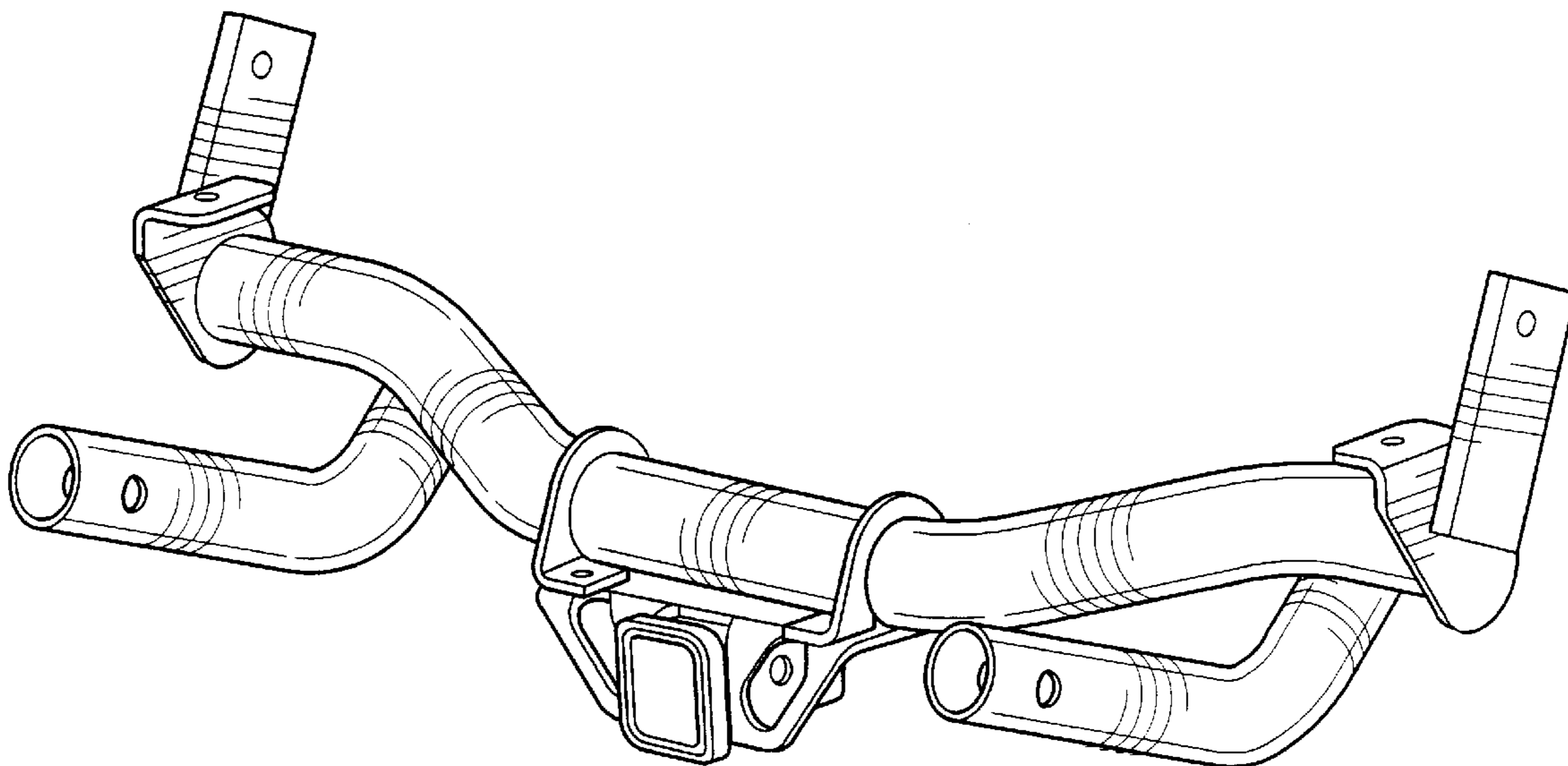
[57] **CLAIM**

The ornamental design for a receiver hitch, as shown and described.

**DESCRIPTION**

FIG. 1 is a perspective view of the receiver hitch showing our new design;  
FIG. 2 is a top plan view thereof;  
FIG. 3 is a rear elevational view thereof;  
FIG. 4 is a bottom plan view thereof;  
FIG. 5 is a left side elevational view thereof, the right side being a mirror image of the left shown; and,  
FIG. 6 is a front elevational view thereof.

**1 Claim, 2 Drawing Sheets**



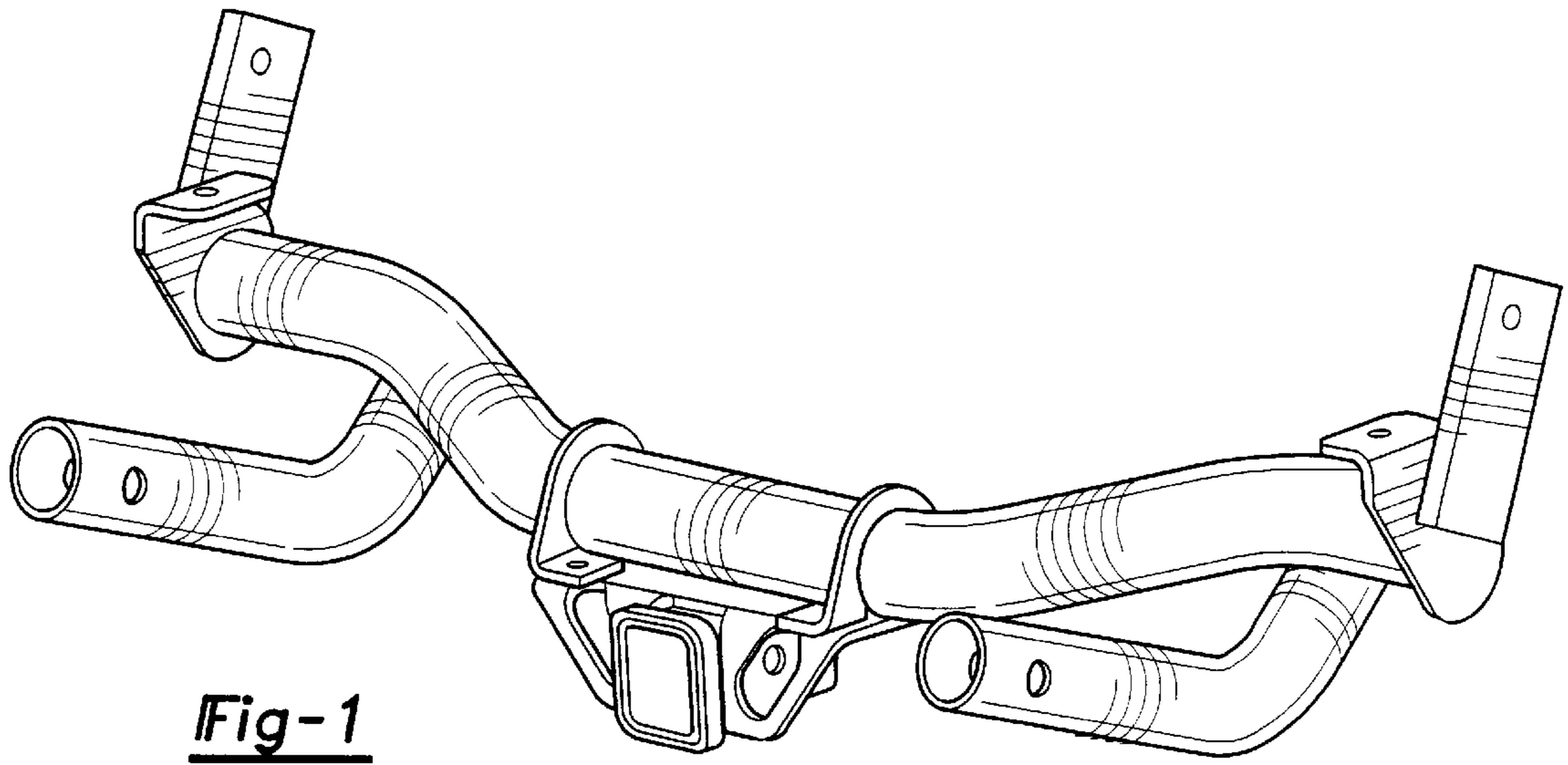


Fig-1

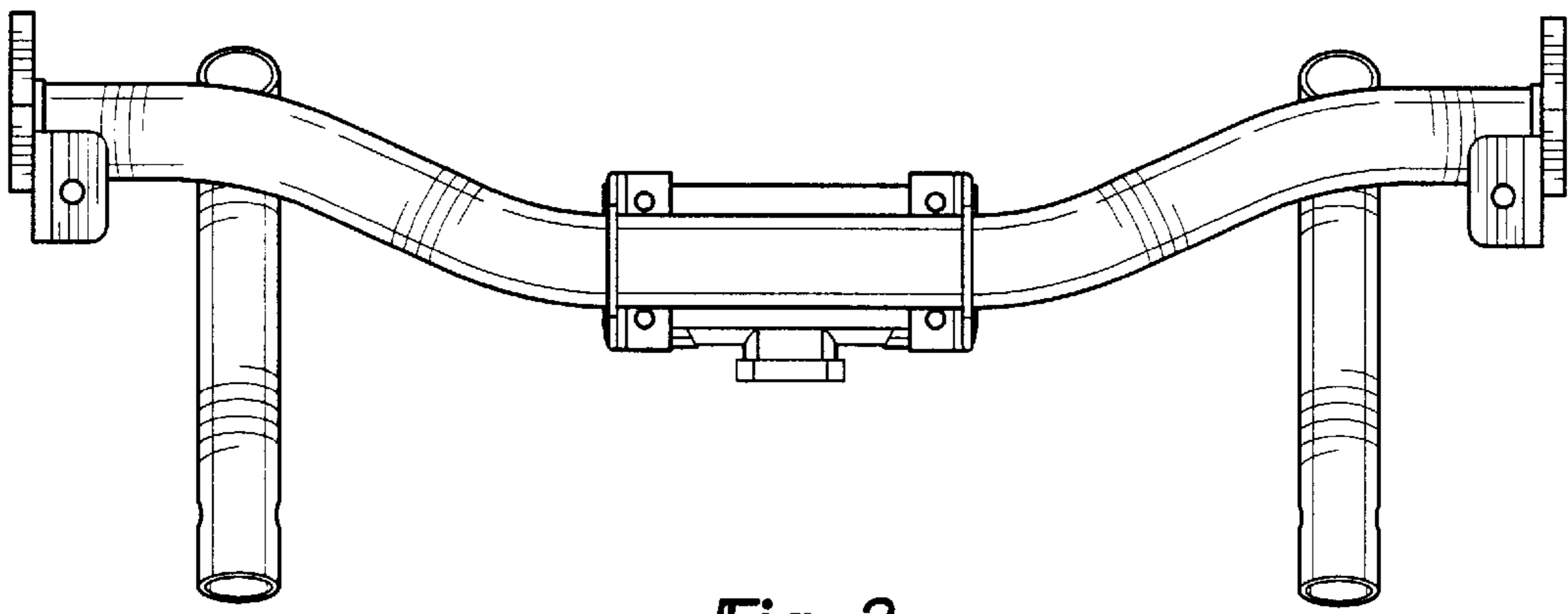


Fig-2

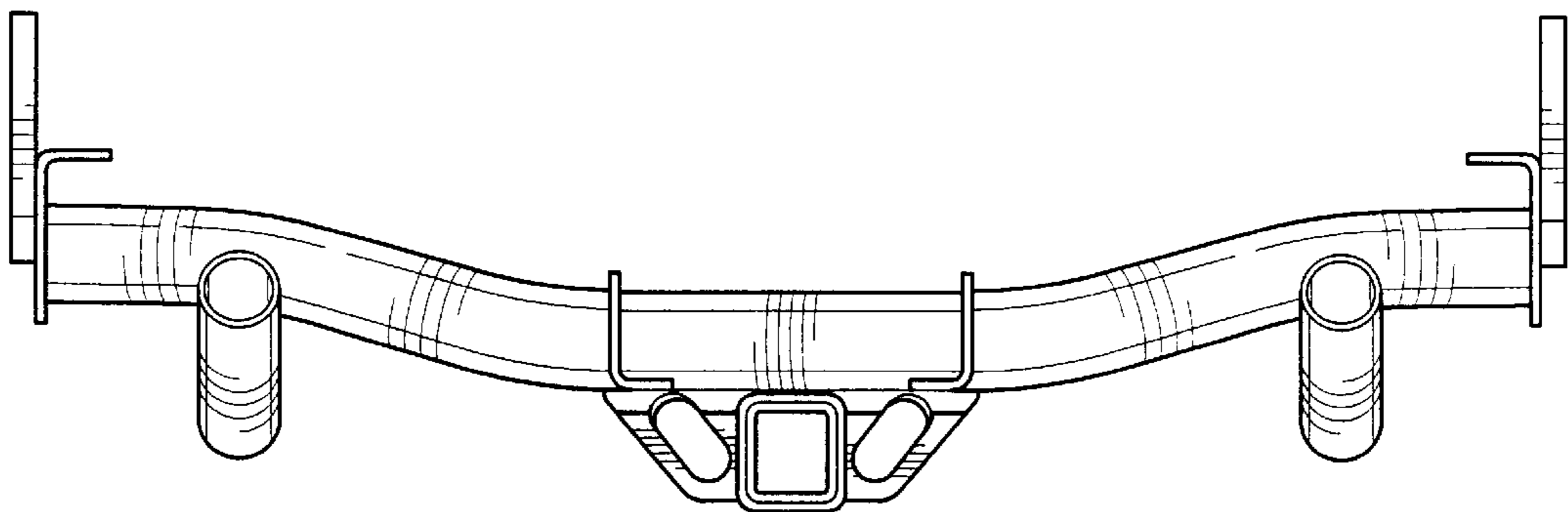


Fig-3

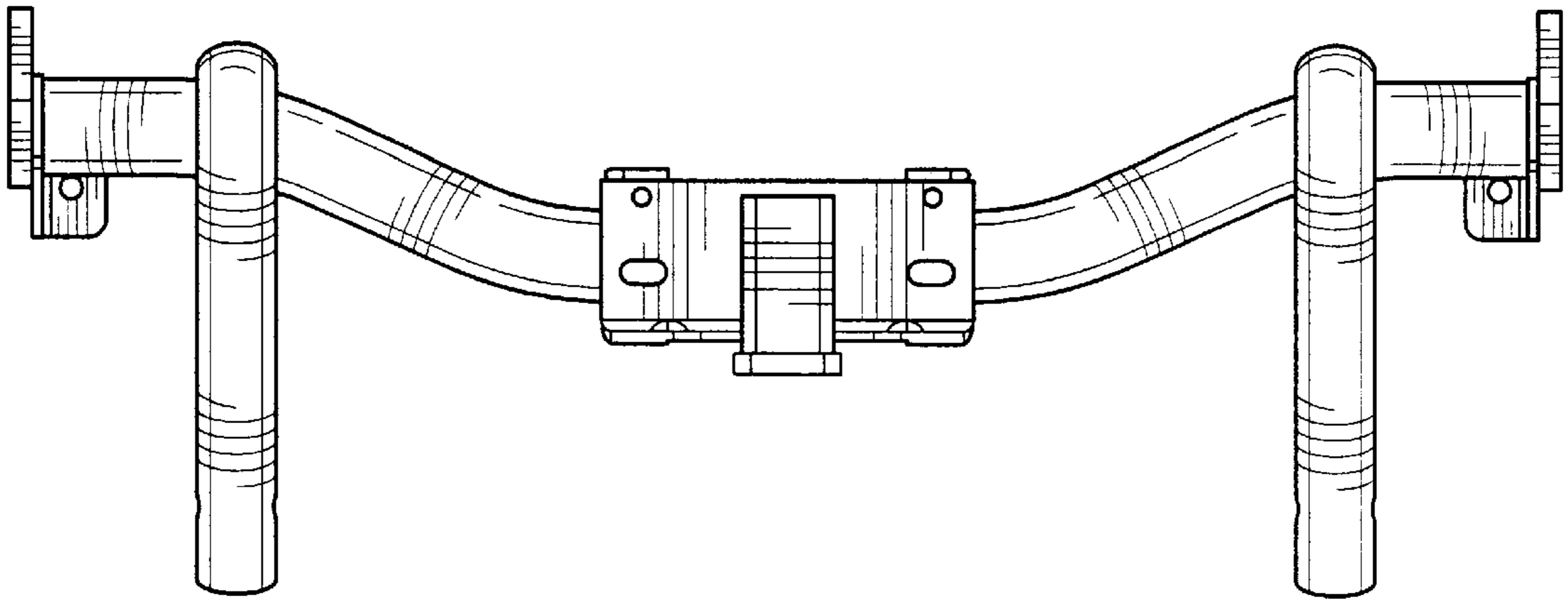


Fig-4

Fig-5

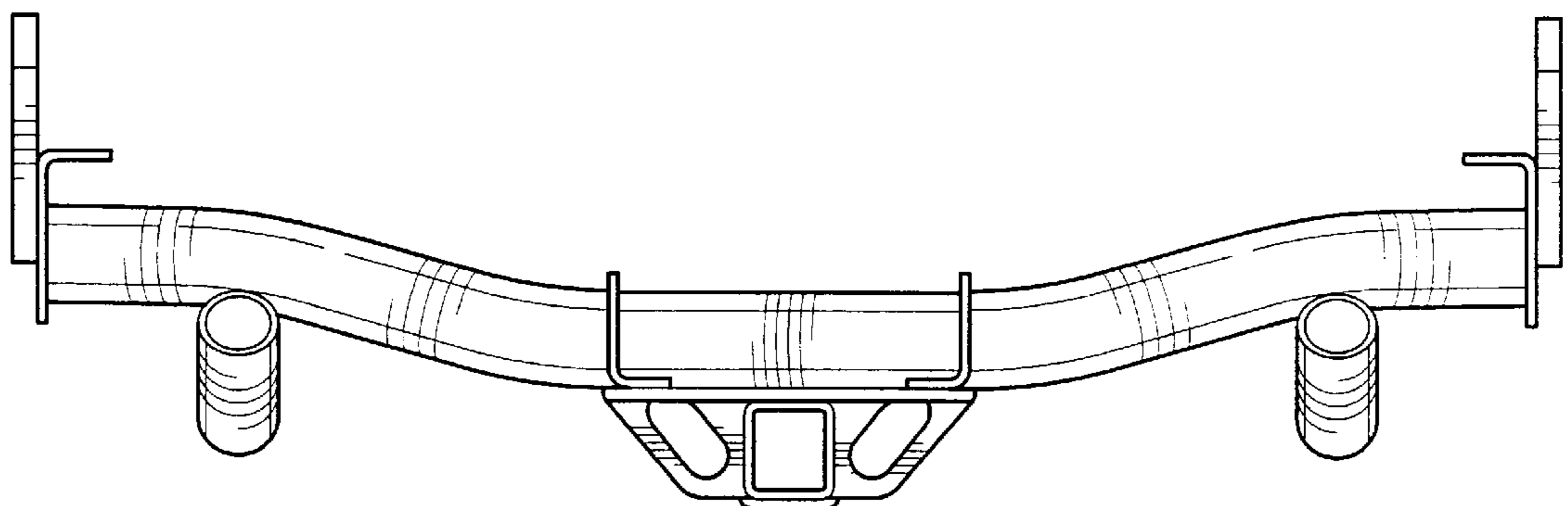
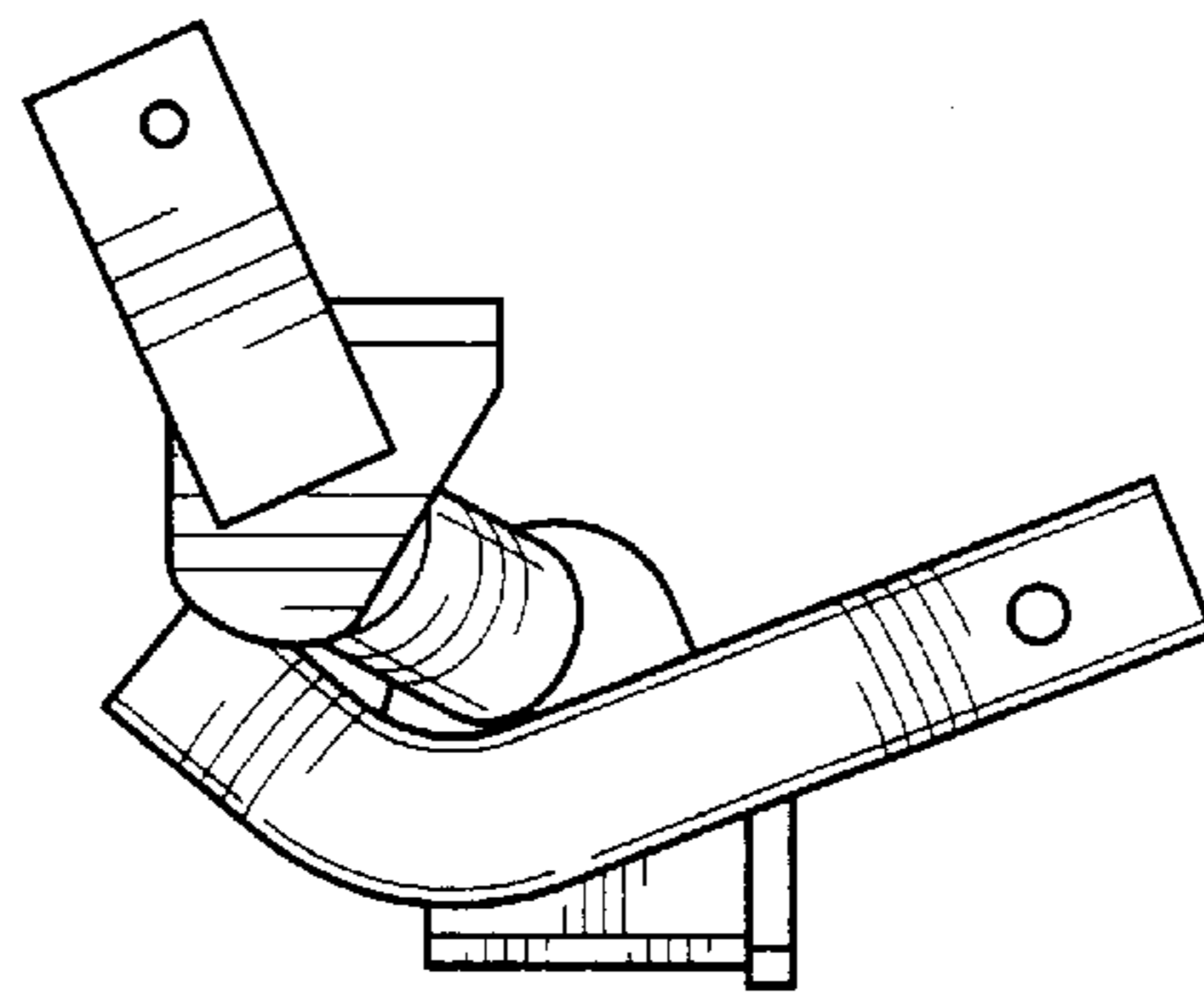


Fig-6