



US00D433355S

United States Patent [19]

Markoff et al.

[11] Patent Number: Des. 433,355

[45] Date of Patent: ** Nov. 7, 2000

[54] TIRE TREAD

[75] Inventors: Michael Spiro Markoff, Cuyahoga Falls; Marc Christopher Nowacki, Uniontown; Jan Mathieu Racké, Fairlawn; Eric John Marazzi, Akron, all of Ohio

[73] Assignee: The Goodyear Tire & Rubber Company, Akron, Ohio

[**] Term: 14 Years

[21] Appl. No.: 29/112,547

[22] Filed: Oct. 19, 1999

[51] LOC (7) Cl. 12-15

[52] U.S. Cl. D12/147

[58] Field of Search D12/138-152; 152/209.1, 209.8, 209.9, 209.11, 209.13, 209.28, 900, 901, 902, 903

[56] References Cited

U.S. PATENT DOCUMENTS

D. 283,698	5/1986	Kawabata et al.	D12/147
D. 287,708	1/1987	Hayakawa	D12/147
D. 315,128	3/1991	Grass et al.	D12/147
D. 315,129	3/1991	Graas et al.	D12/147
D. 316,239	4/1991	Tsuda et al.	D12/145
D. 333,288	2/1993	Rogers et al.	D12/146
D. 350,102	8/1994	Evraert et al.	D12/147
D. 350,513	9/1994	Mehta et al.	D12/147
D. 350,928	9/1994	Manestar	D12/147
D. 377,330	1/1997	Kakagawa et al.	D12/147
D. 384,313	9/1997	Harden, Jr.	D12/147
D. 386,730	11/1997	Hubbell, Jr.	D12/147
D. 390,519	2/1998	White	D12/147
D. 397,648	9/1998	Allen et al.	D12/147
D. 402,240	12/1998	Hubbell, Jr.	D12/146
D. 402,936	12/1998	Williams	D12/146
D. 403,281	12/1998	Allen et al.	D12/147
D. 421,584	3/2000	Lovell et al.	D12/147
D. 421,731	3/2000	Weber et al.	D12/146

4,986,324	1/1991	Suzuki et al.	152/209 R
5,293,918	3/1994	Tsuda et al.	152/209 R
5,343,918	9/1994	Fontaine	152/209 R
5,388,625	2/1995	White	152/209 R
5,529,101	6/1996	Croyle et al.	152/209 R
5,637,162	6/1997	Rhyne et al.	152/454
5,814,169	9/1998	Yamaguchi et al.	152/209 R

OTHER PUBLICATIONS

Goodyear Eagle LS Tire, 1997 Tire Design Guide, p. 36. 2/5, Feb. 1997.
Hankook Mileage Plus 845 Tire, 1997 Tread Design Guide, p. 39. 2/4, Feb. 1997.
Brunswick All Season SR4 Tire, 1998 Tread Design Guide, p. 16. 2/5, Jan. 1998.
Dunlop G/T Qualifier 6 Rib Tire, 1998 Tread Design Guide, p. 26. 1/4, Jan. 1998.
Madison SR4 Premium A/S Tire, 1998 Tread Design Guide, p. 44. 4/1, Jan. 1998.
National XT Commando Tire, 1998 Tread Design Guide, p. 110. 4/2, Feb. 1997.

Primary Examiner—Robert M. Spear
Attorney, Agent, or Firm—T P Lewandowski

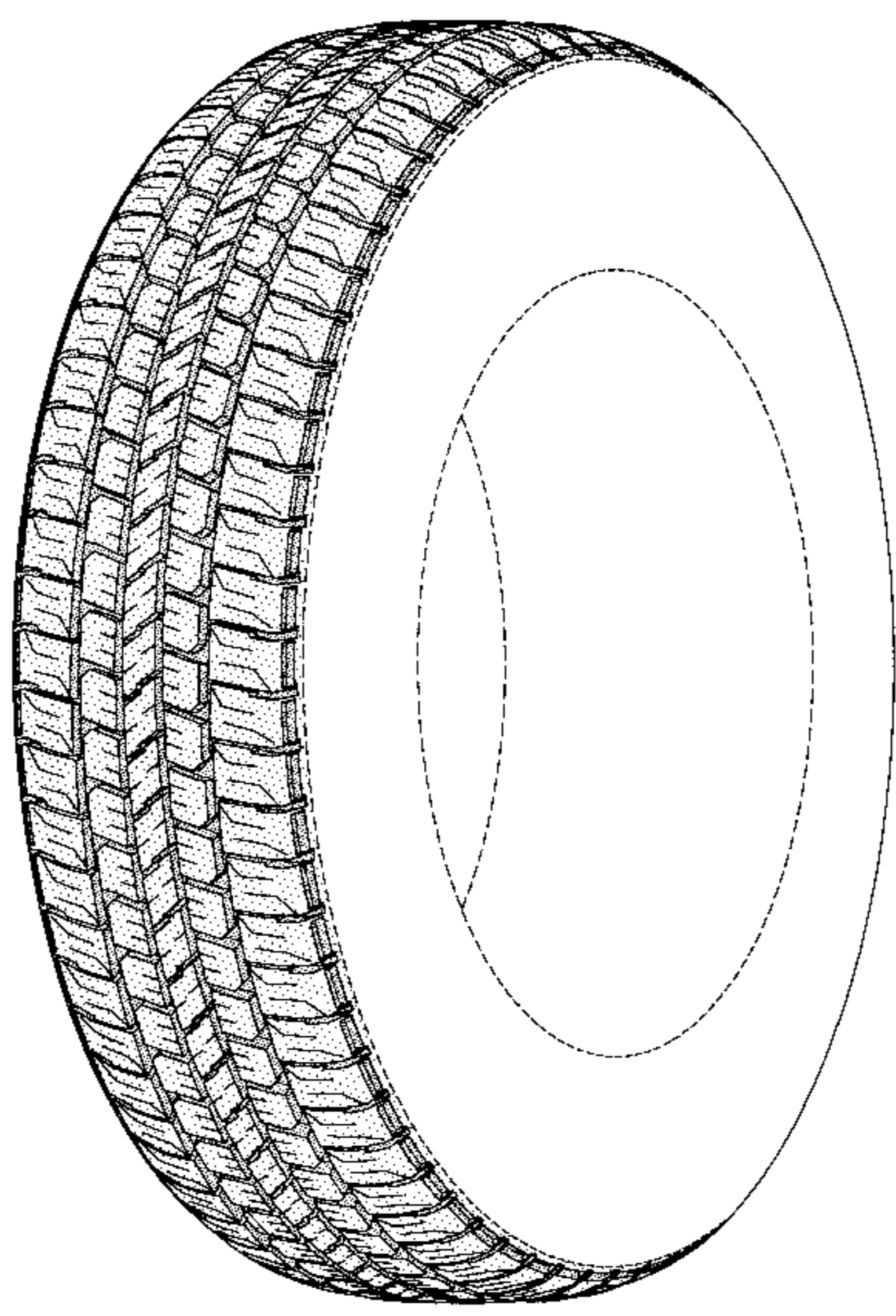
[57] CLAIM

The ornamental design for a tire tread, as shown and described.

DESCRIPTION

FIG. 1 is a perspective view of a tire tread showing our new design, it being understood that the pattern repeats uniformly throughout the circumference of the tread;
FIG. 2 is a front elevational view thereof;
FIG. 3 is a side elevational view thereof, the opposite side elevational view being identical thereto; and,
FIG. 4 is an enlarged fragmentary perspective view.
In the drawings, the broken lines defining the inner bead of the sidewall and the peripheral boundary between the tire tread and the sidewall are for illustrative purposes only and form no part of the claimed design.

1 Claim, 4 Drawing Sheets



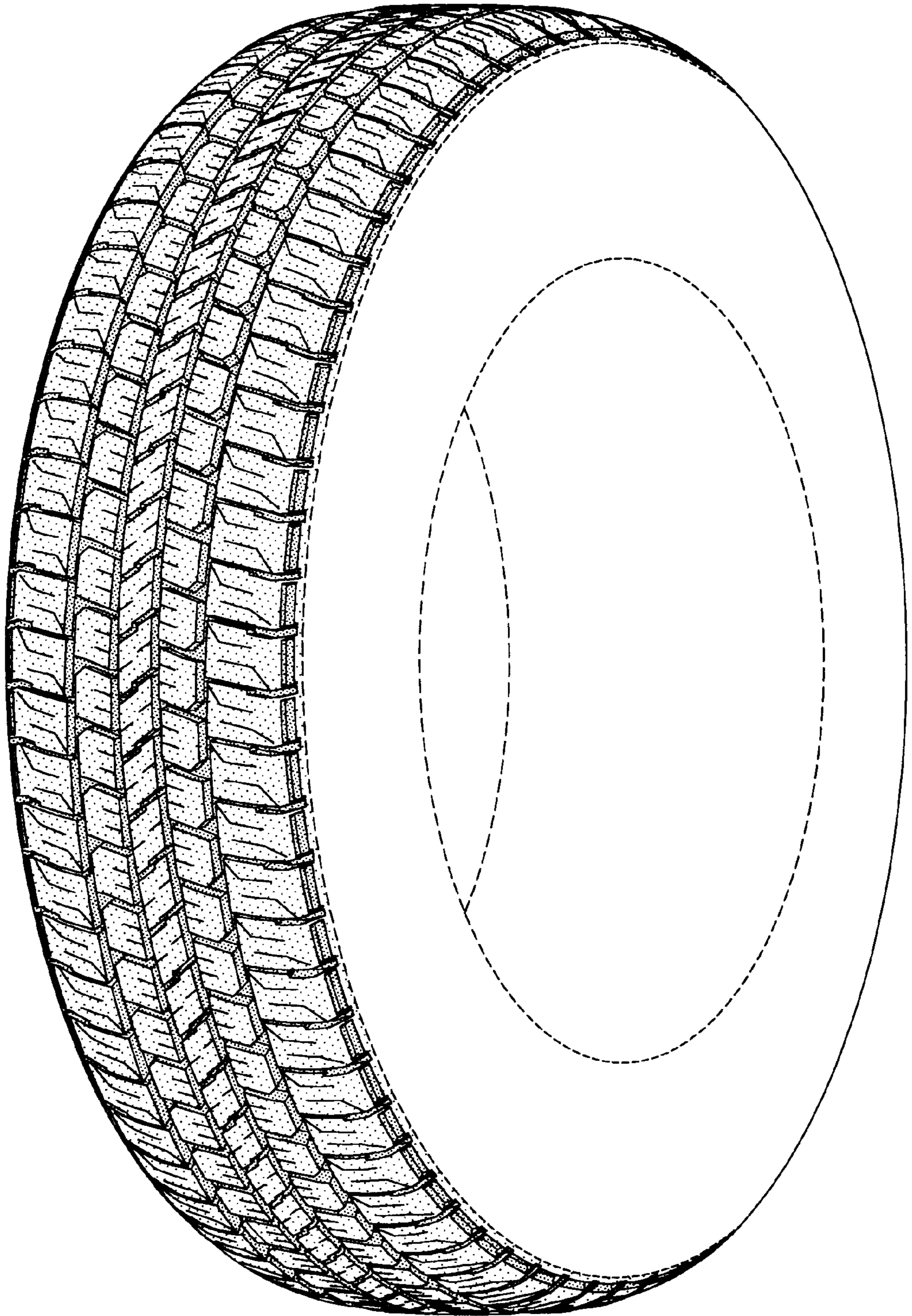


FIG-1

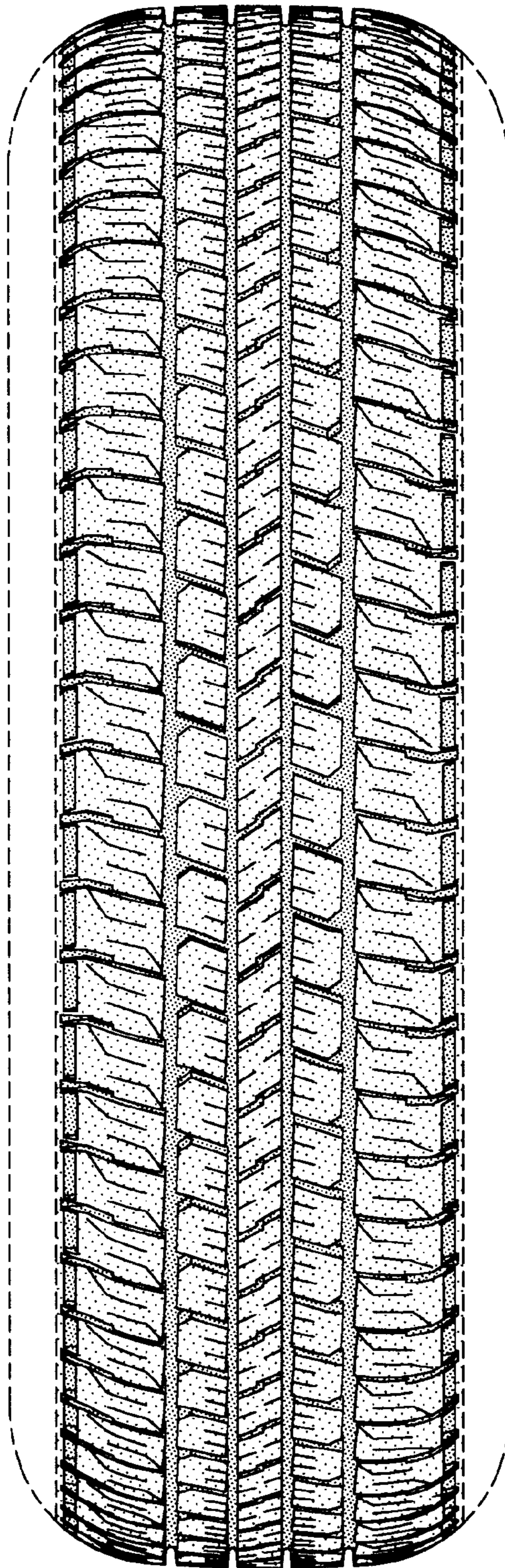


FIG-2

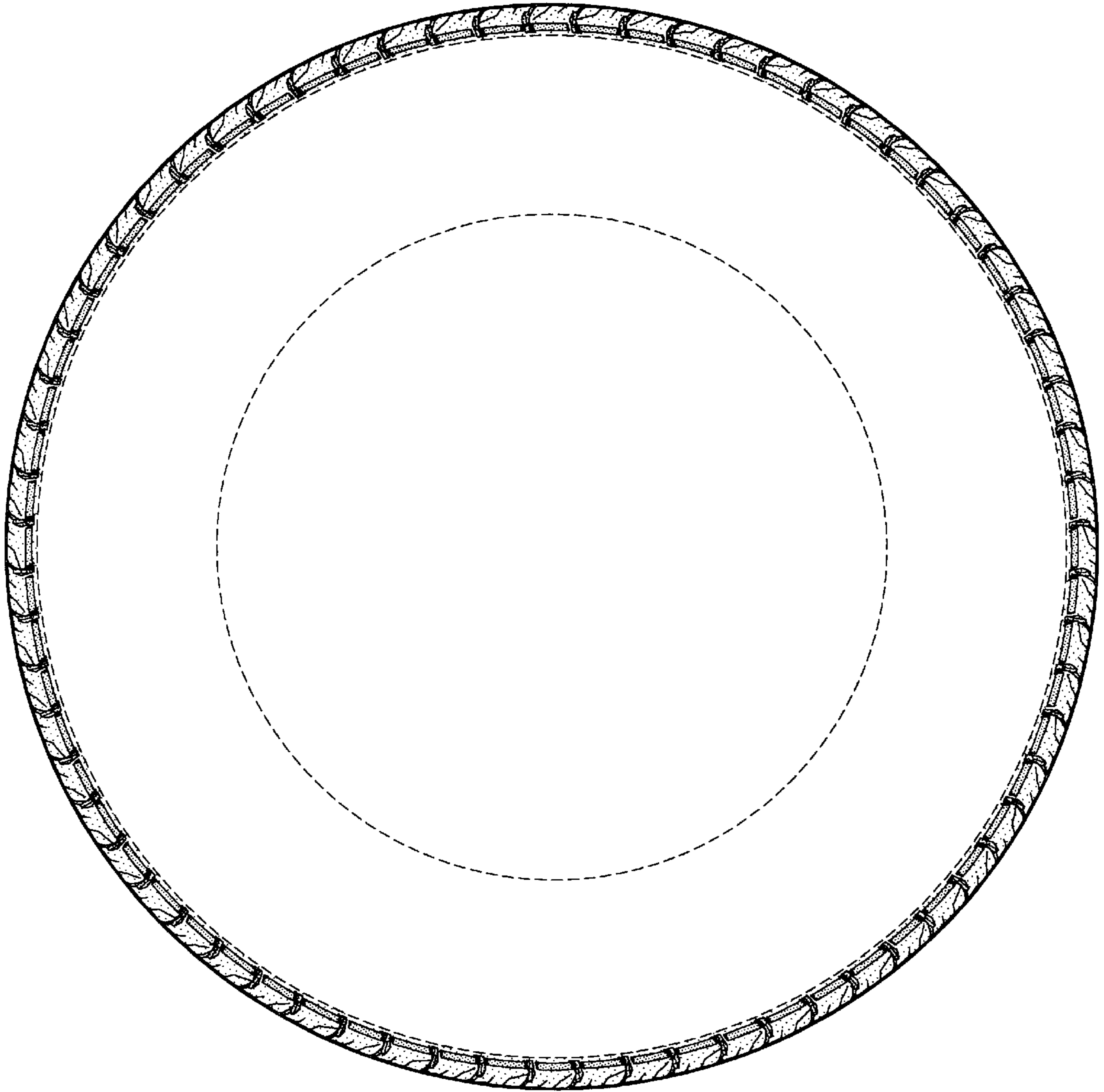


FIG-3

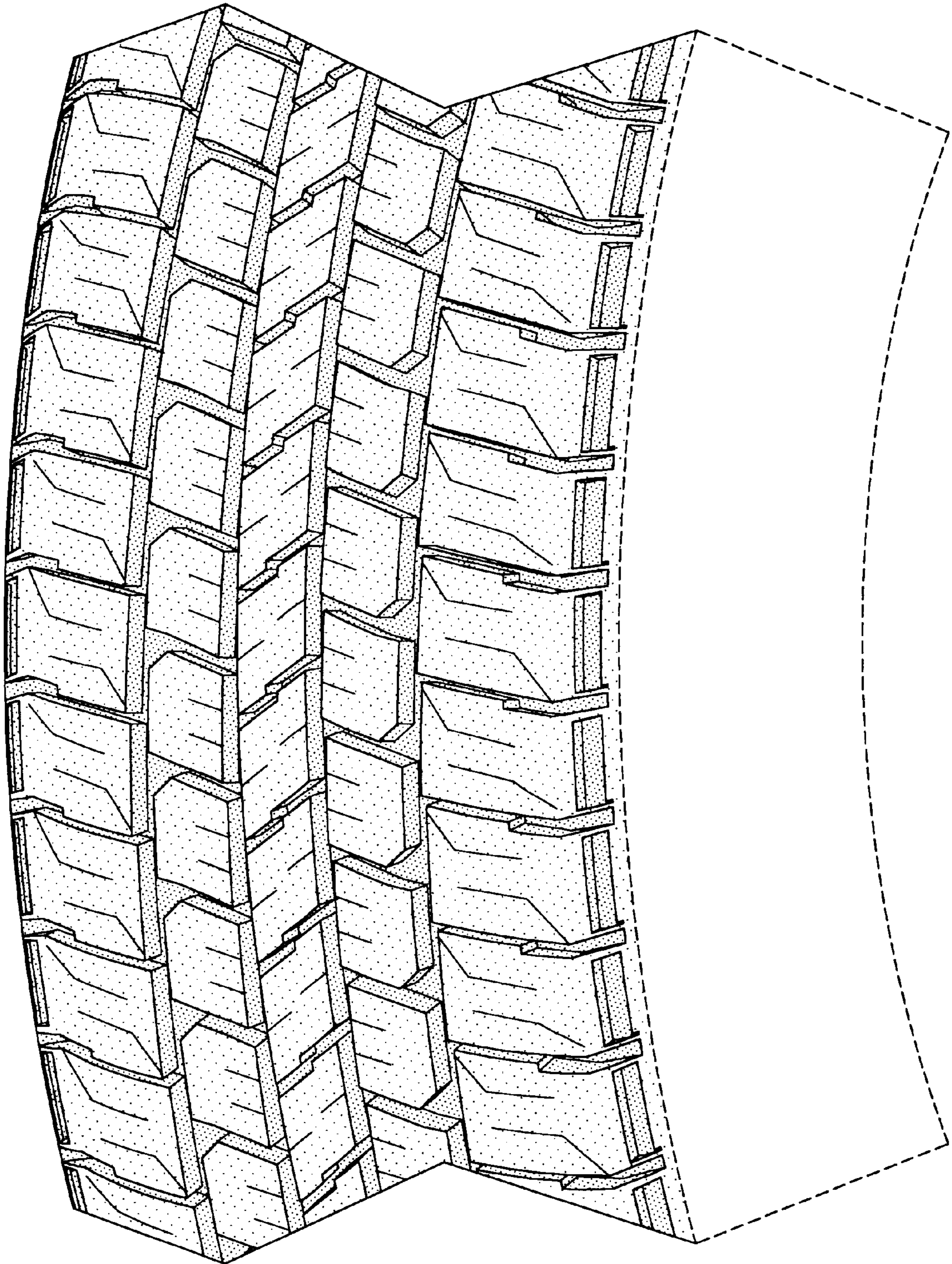


FIG-4