



US00D433351S

United States Patent [19]

Ellis et al.

[11] Patent Number: Des. 433,351

[45] Date of Patent: ** Nov. 7, 2000

[54] **ORNAMENT DISPLAY STAND**

[76] Inventors: Dale E. Ellis; David F. Ellis, both of
5200 Montague Pl., Orlando, Fla. 32808

[**] Term: 14 Years

[21] Appl. No.: 29/112,378

[22] Filed: Oct. 18, 1999

[51] LOC (7) Cl. 11-02

[52] U.S. Cl. D11/131; D11/184

[58] Field of Search D6/449, 450, 455,
D6/462, 466, 546; D11/131, 157, 184;
D7/601, 628; 211/181.1; 248/116, 121,
125.1, 176.1

[56] **References Cited**

U.S. PATENT DOCUMENTS

D. 224,610 8/1972 Dustman D6/455
D. 268,743 4/1983 Lubin D11/131

D. 300,790 4/1989 Beckwith D7/601
D. 335,400 5/1993 Reich D6/450
D. 335,401 5/1993 Nations D6/462

Primary Examiner—Dominic Simone
Attorney, Agent, or Firm—William M. Hobby, III

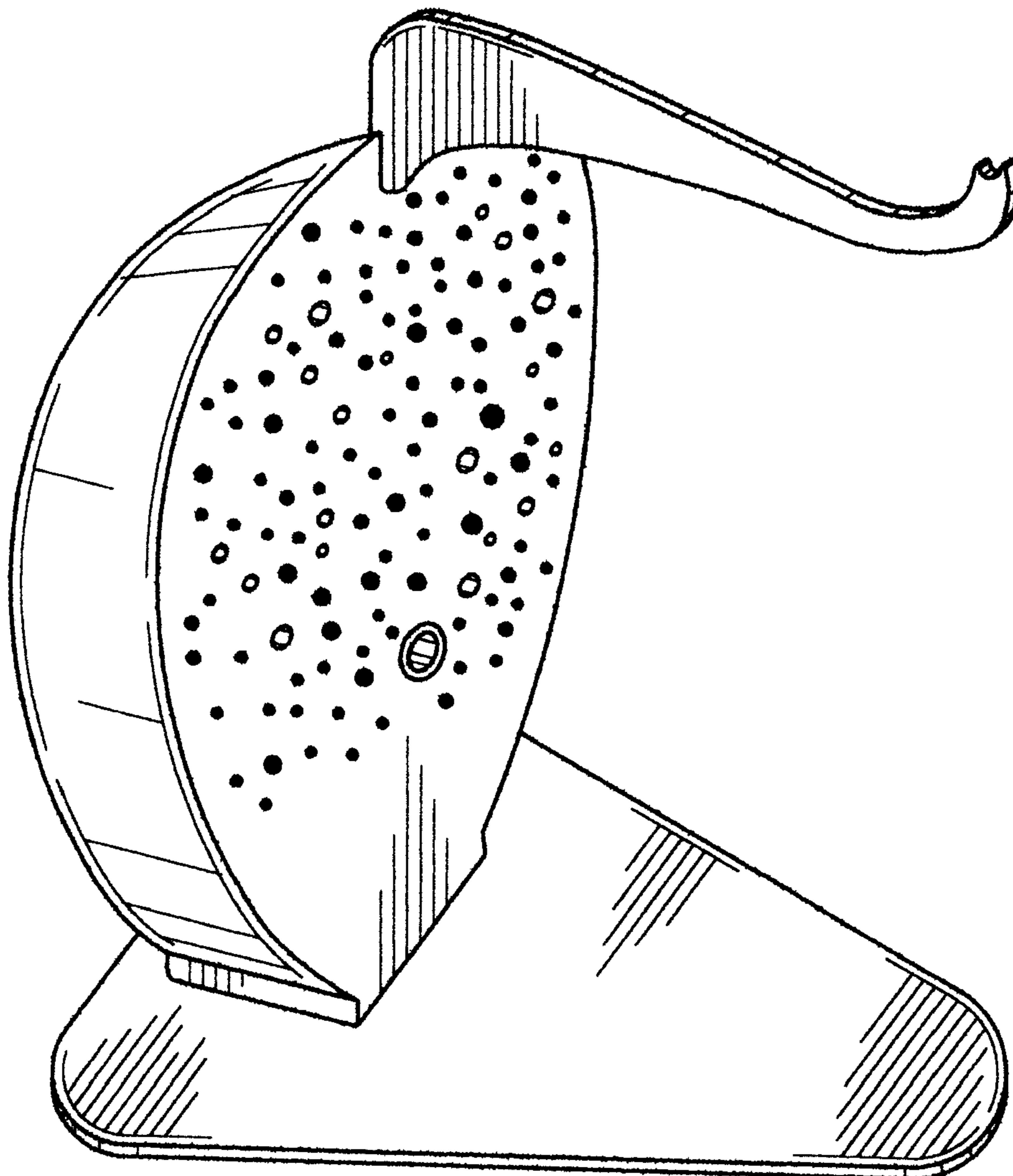
[57] **CLAIM**

The ornamental design for an ornament display stand, as shown.

DESCRIPTION

FIG. 1 is a front, left side perspective view of my new ornament display stand;
FIG. 2 is a front elevation;
FIG. 3 is a rear elevation;
FIG. 4 is a right side elevation;
FIG. 5 is a left side elevation;
FIG. 6 is a top plan view; and,
FIG. 7 is a bottom plan view.

1 Claim, 2 Drawing Sheets



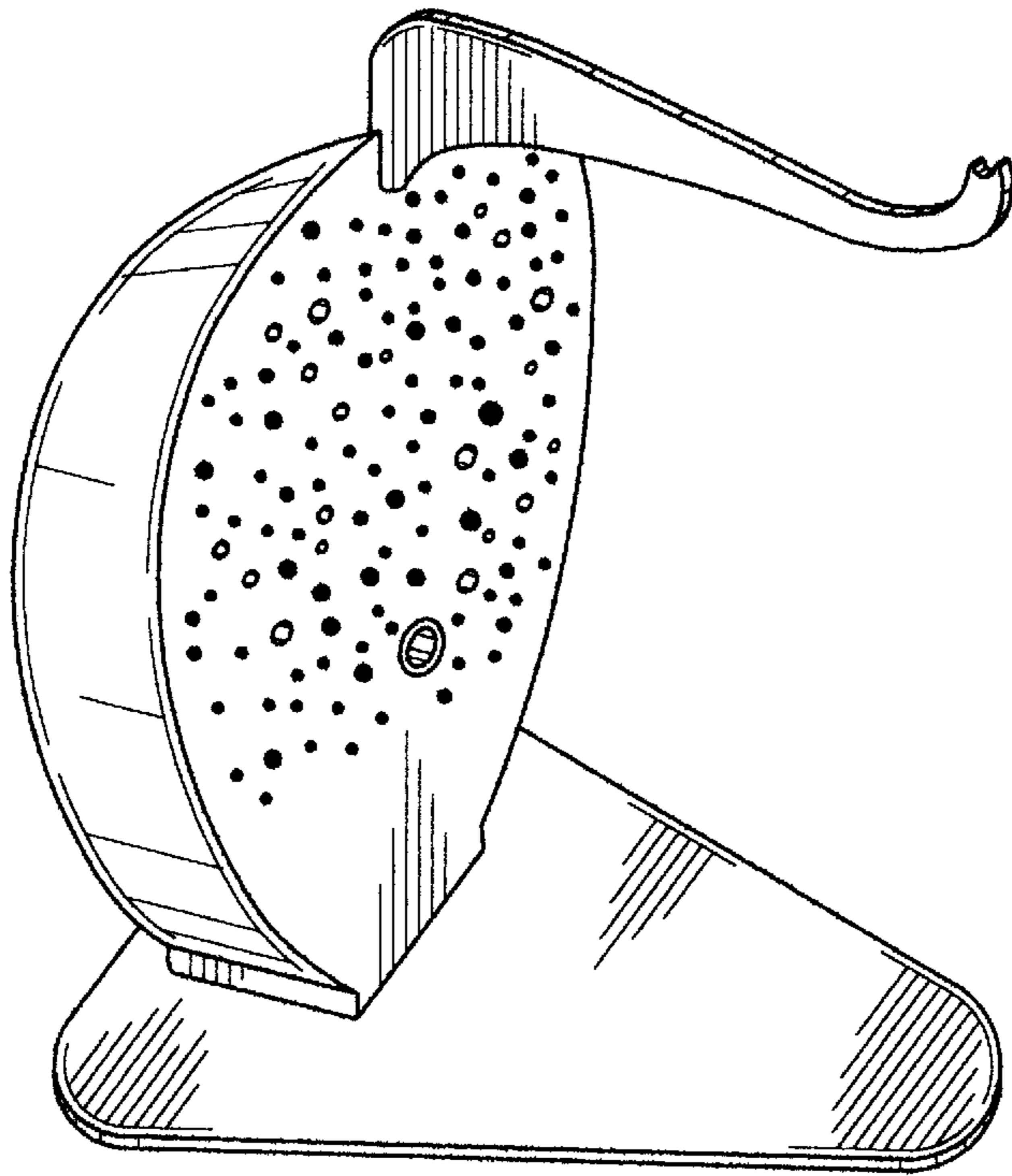


FIG. 1

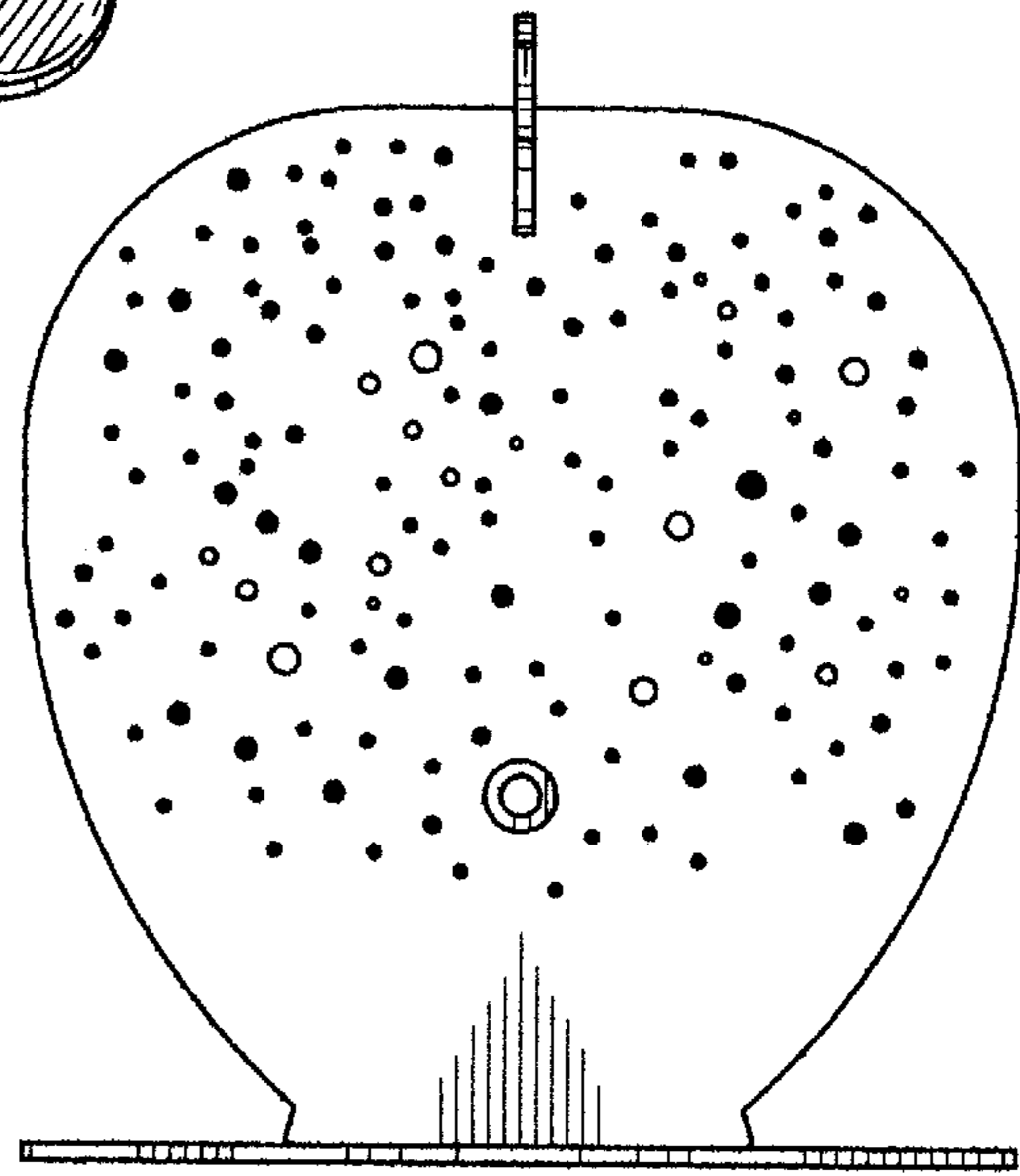


FIG. 2

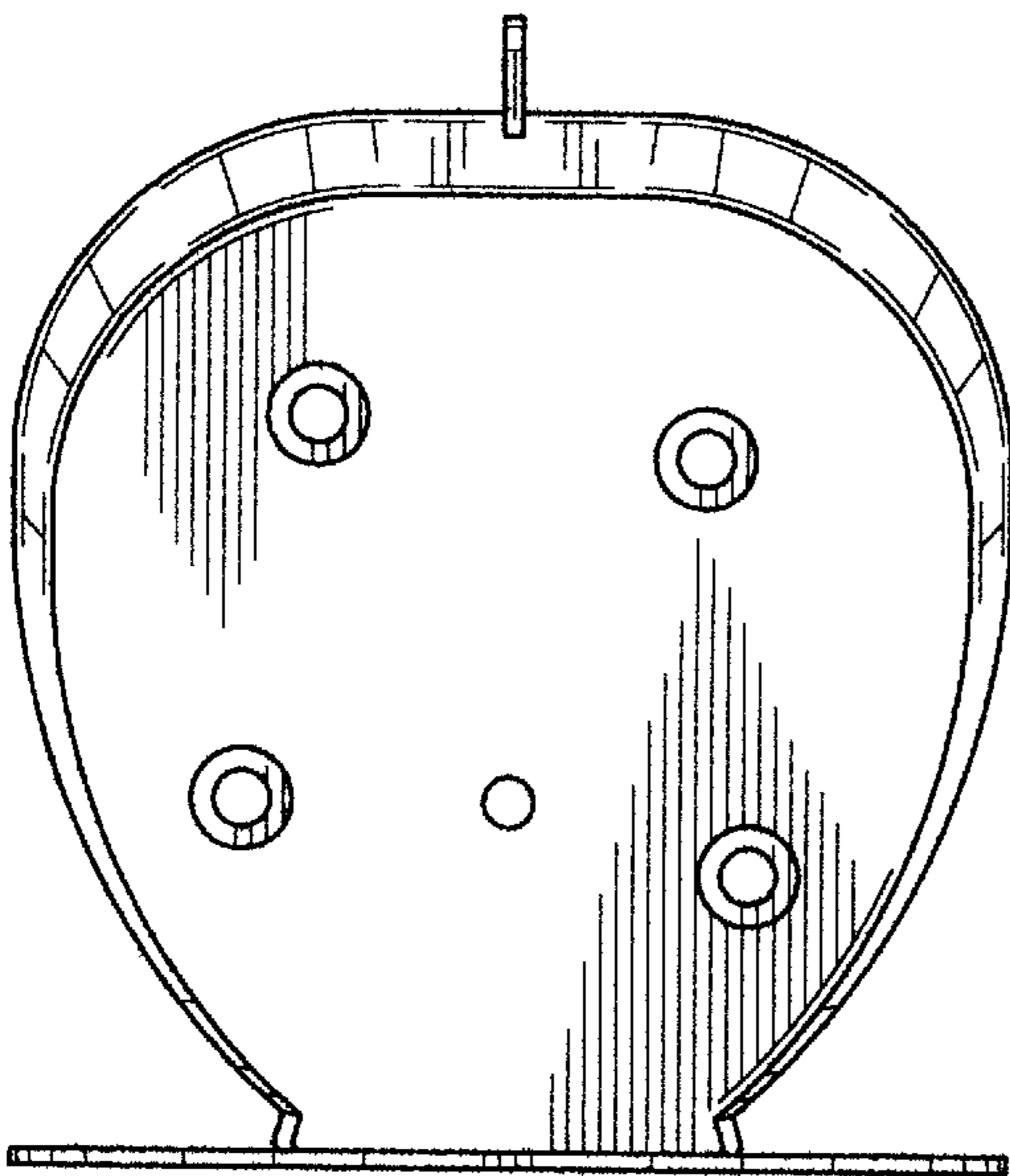


FIG. 3

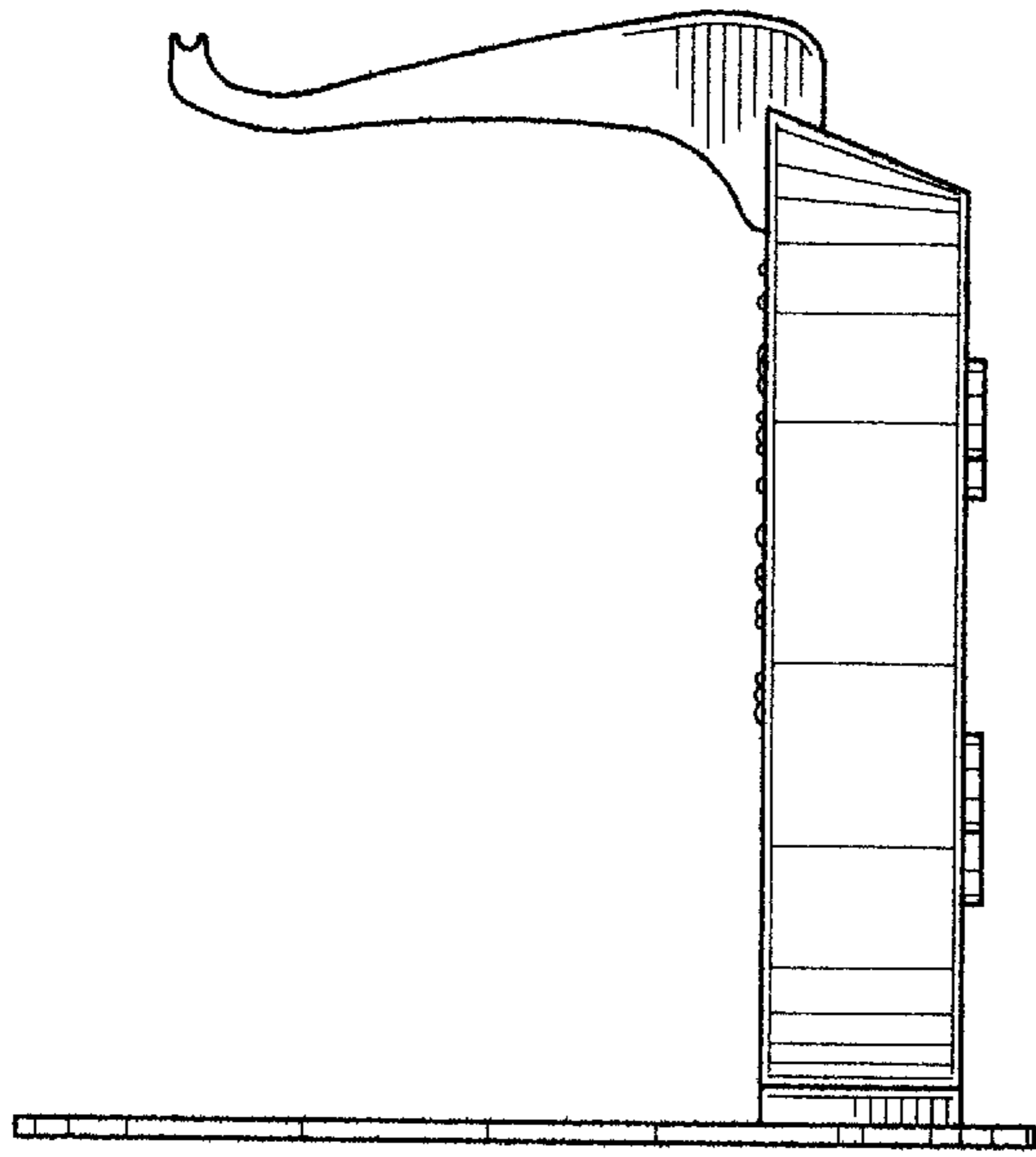


FIG. 4

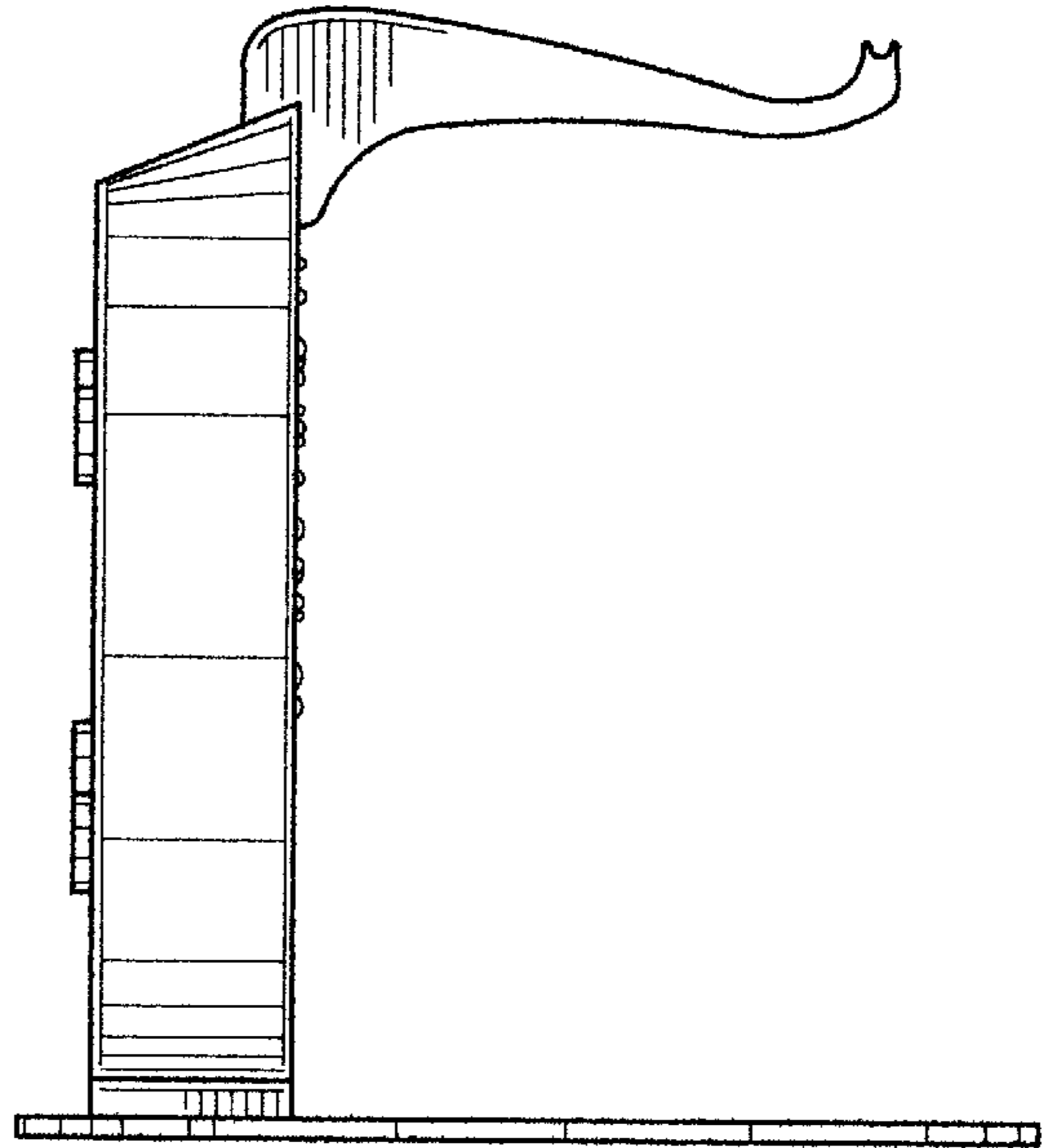


FIG. 5

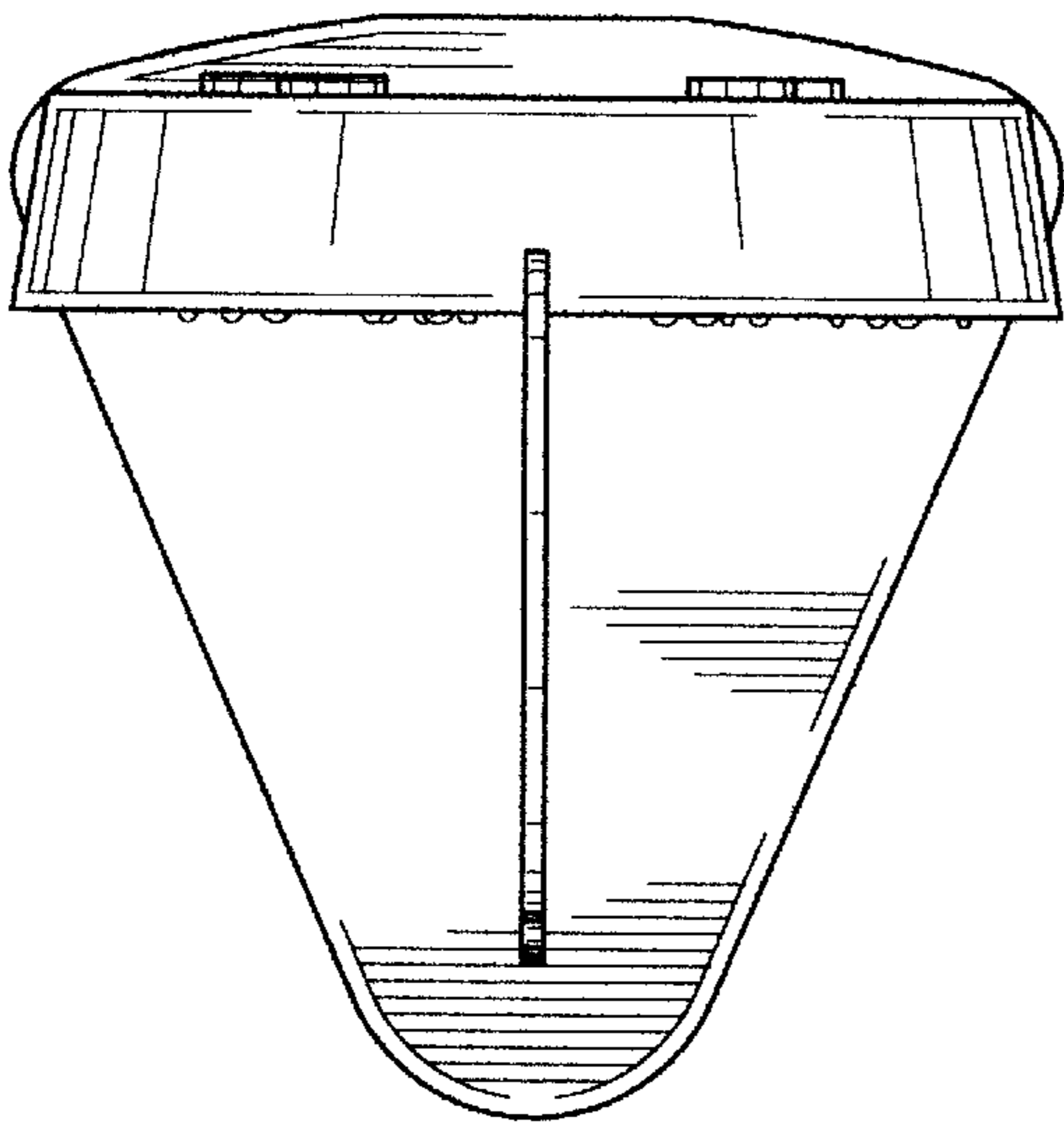


FIG. 6

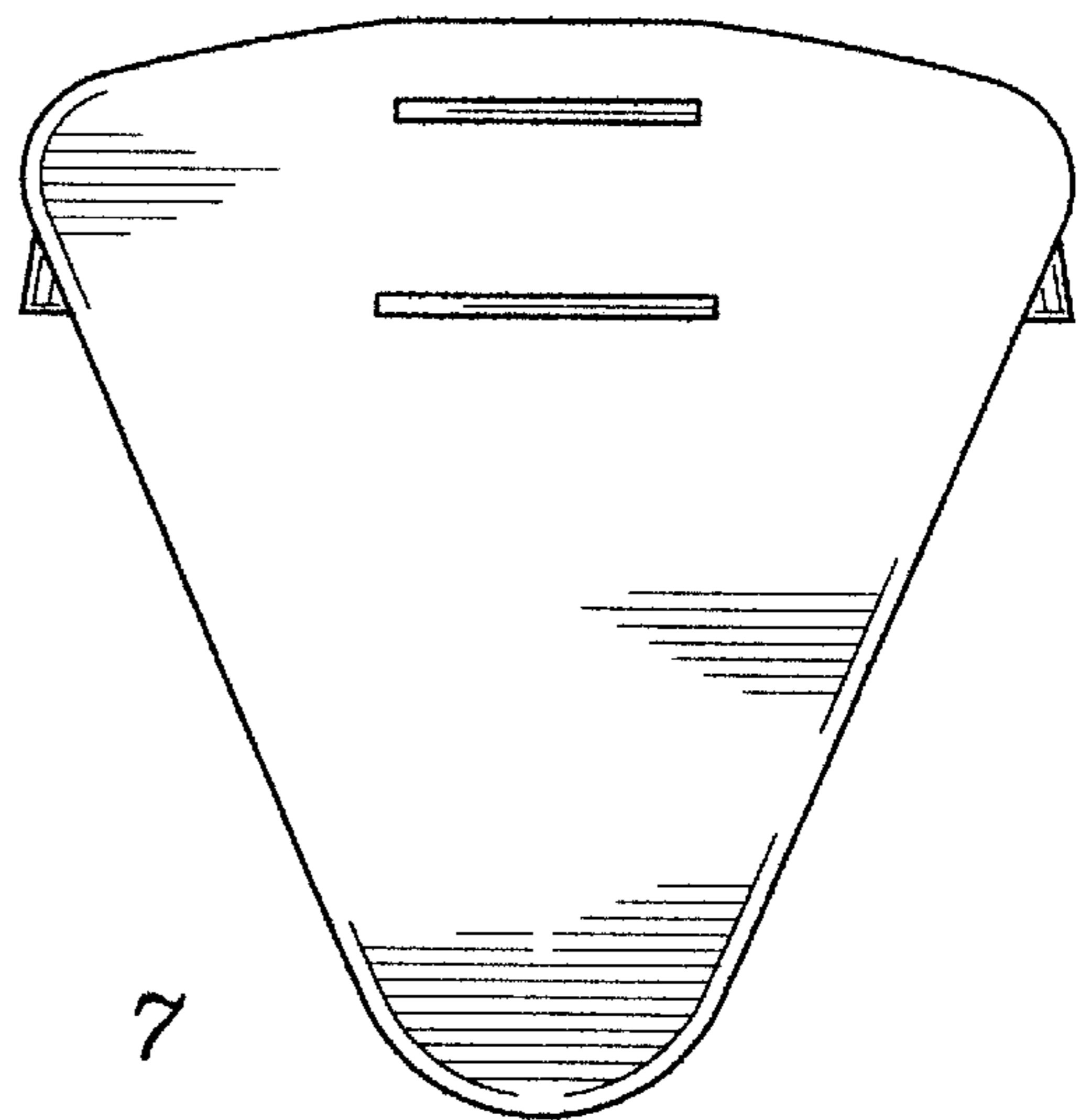


FIG. 7