



US00D433349S

United States Patent [19]
Brisk

[11] **Patent Number: Des. 433,349**

[45] **Date of Patent: ** Nov. 7, 2000**

[54] **BODY JEWELRY**

[76] Inventor: **Alan C. Brisk**, 105 E. 15TH St., New York, N.Y. 10003

[**] Term: **14 Years**

[21] Appl. No.: **29/118,823**

[22] Filed: **Feb. 16, 2000**

Related U.S. Application Data

[62] Division of application No. 29/082,916, Jan. 30, 1998.

[51] **LOC (7) Cl.** **11-01**

[52] **U.S. Cl.** **D11/41; 14/2**

[58] **Field of Search** D11/40-78, 78.1, D11/81, 95, 99, 103, 226; 63/12, 18, 20, 22-23, 33, 40, DIG. 1, 14.1

[56] **References Cited**

U.S. PATENT DOCUMENTS

D. 50,476	3/1917	Larrabee	D11/226
D. 70,893	8/1926	Ormsbee	D11/226
D. 116,324	8/1939	Lampl	D11/81
208,968	10/1878	Dolloff	63/12
D. 303,234	9/1989	Smith	D11/226
320,991	6/1885	Westcott	63/12

D. 326,066	5/1992	Sprague	D11/41
D. 408,315	4/1999	Lavalais	D11/41
D. 410,589	6/1999	Lagergren	D11/40
511,952	1/1894	Hubash	63/12
2,314,223	3/1943	Lane	63/20
2,642,872	6/1953	Parker	D11/40
3,028,646	4/1962	Janes	D11/226
4,148,199	4/1979	Boykin	63/12
4,220,016	9/1980	Frenger	63/DIG. 1
4,353,370	10/1982	Evans	63/12
4,501,050	2/1985	Fountoulakis	63/12
6,026,659	2/2000	Kaping, Jr.	63/12

Primary Examiner—Cathy Anne MacCormac
Attorney, Agent, or Firm—Brinks Hofer Gilson & Lione

[57] **CLAIM**

I claim the ornamental design for body jewelry, as shown in the drawings.

DESCRIPTION

FIG. 1 is a front perspective view of body jewelry showing my new design, the broken line showing of the user is for illustrative purposes only and forms no part of the claimed design;

FIG. 2 is a top view thereof, the rear and bottom views are identical; and,

FIG. 3 is an end view thereof.

1 Claim, 1 Drawing Sheet

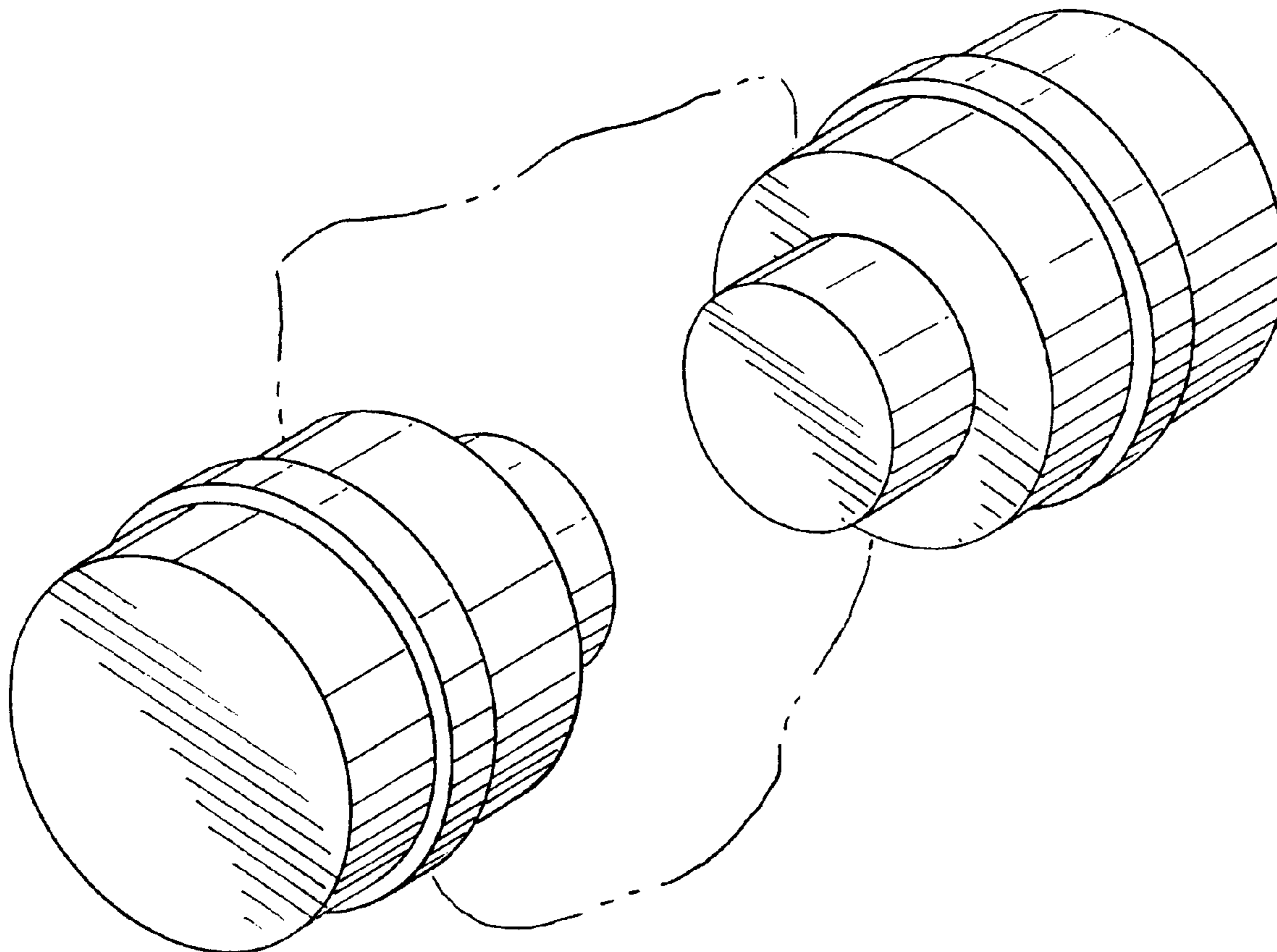


FIG. 1

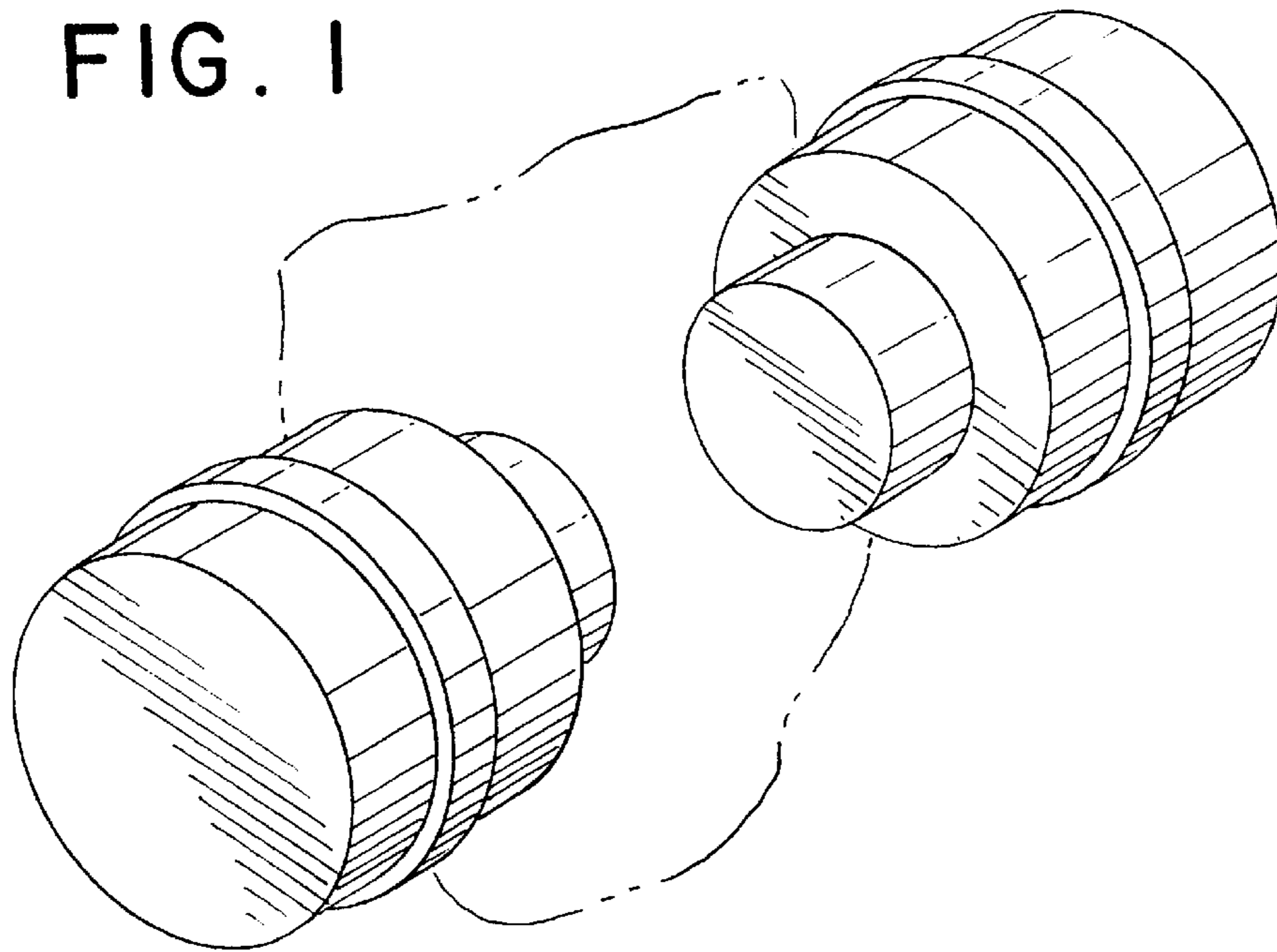


FIG. 2

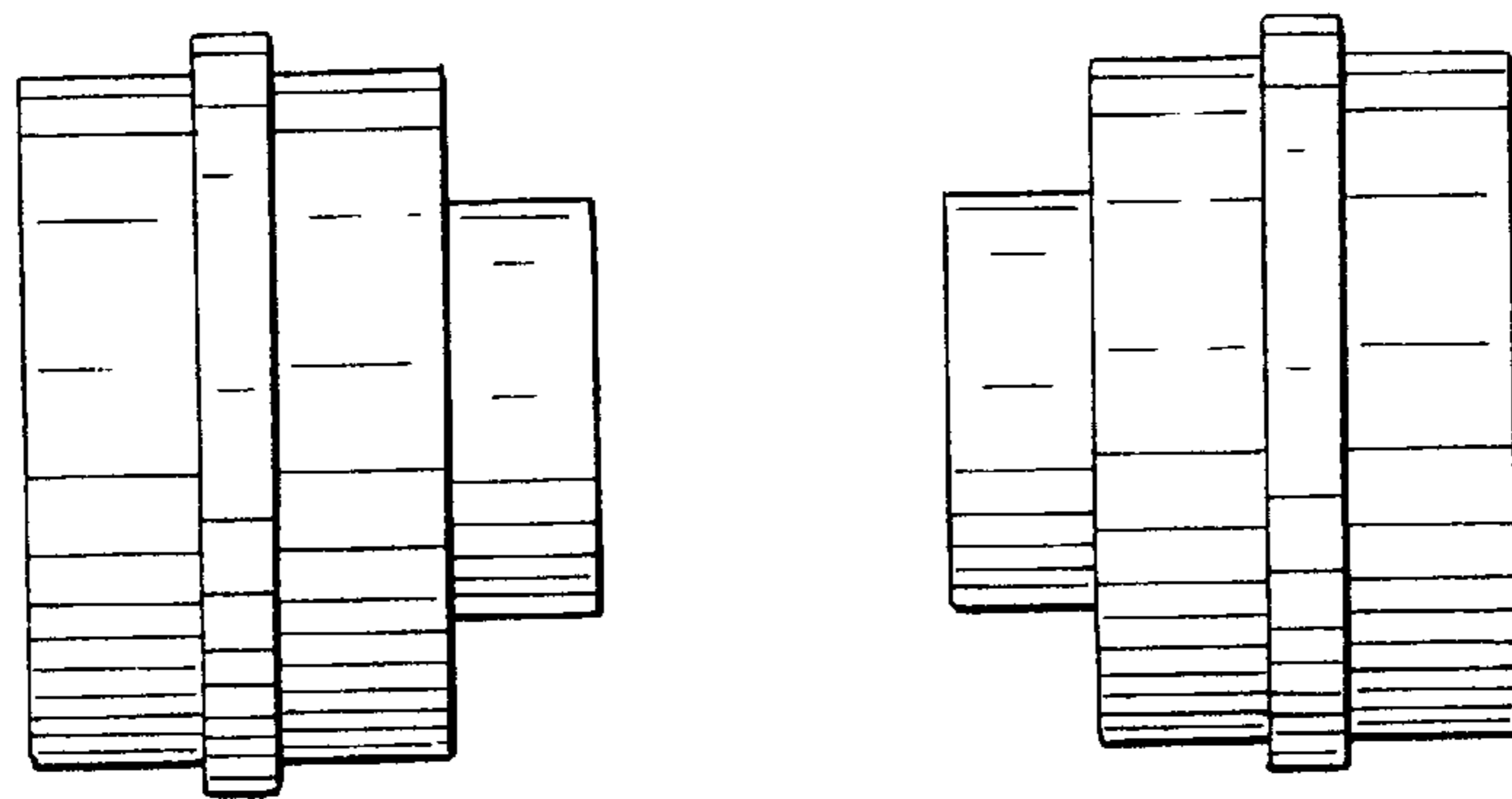


FIG. 3

