



US00D433341S

# United States Patent [19]

Versace

[11] Patent Number: Des. 433,341

[45] Date of Patent: \*\* Nov. 7, 2000

[54] WATCH CASE

[75] Inventor: Donatella Versace, Milan, Italy

[73] Assignee: Gianni Versace SpA, Milan, Italy

[\*\*] Term: 14 Years

[21] Appl. No.: 29/112,831

[22] Filed: Oct. 25, 1999

### [30] Foreign Application Priority Data

Apr. 27, 1999 [XH] Hague Agreement ..... DMA/004512

[51] LOC (7) Cl. .... 10-02

[52] U.S. Cl. .... D10/30; D10/39

[58] Field of Search ..... D10/1-40, 122-132;  
368/280-282, 276-277, 285

### [56] References Cited

#### U.S. PATENT DOCUMENTS

D. 26,421	12/1896	Dueber	.....	D10/37
D. 241,630	9/1976	Burke	.	
D. 250,693	1/1979	Perrin	.....	D10/39
D. 302,132	7/1989	Woomer	.....	D10/39
D. 361,283	8/1995	Bulgari	.....	D10/32

D. 361,728	8/1995	Bulgari	.....	D10/39
D. 361,946	9/1995	Bulgari	.....	D10/39
D. 366,216	1/1996	Bulgari	.....	D10/39
D. 367,429	2/1996	Bulgari	.....	D10/39
D. 370,637	6/1996	Oba	.....	D10/30
D. 410,200	5/1999	Bulgari	.....	D10/39
D. 416,495	11/1999	Pitteloud	.....	D10/30
1,907,909	5/1933	Wadsworth	.	

Primary Examiner—Nelson C. Holtje  
Attorney, Agent, or Firm—Marguerite Del Valle

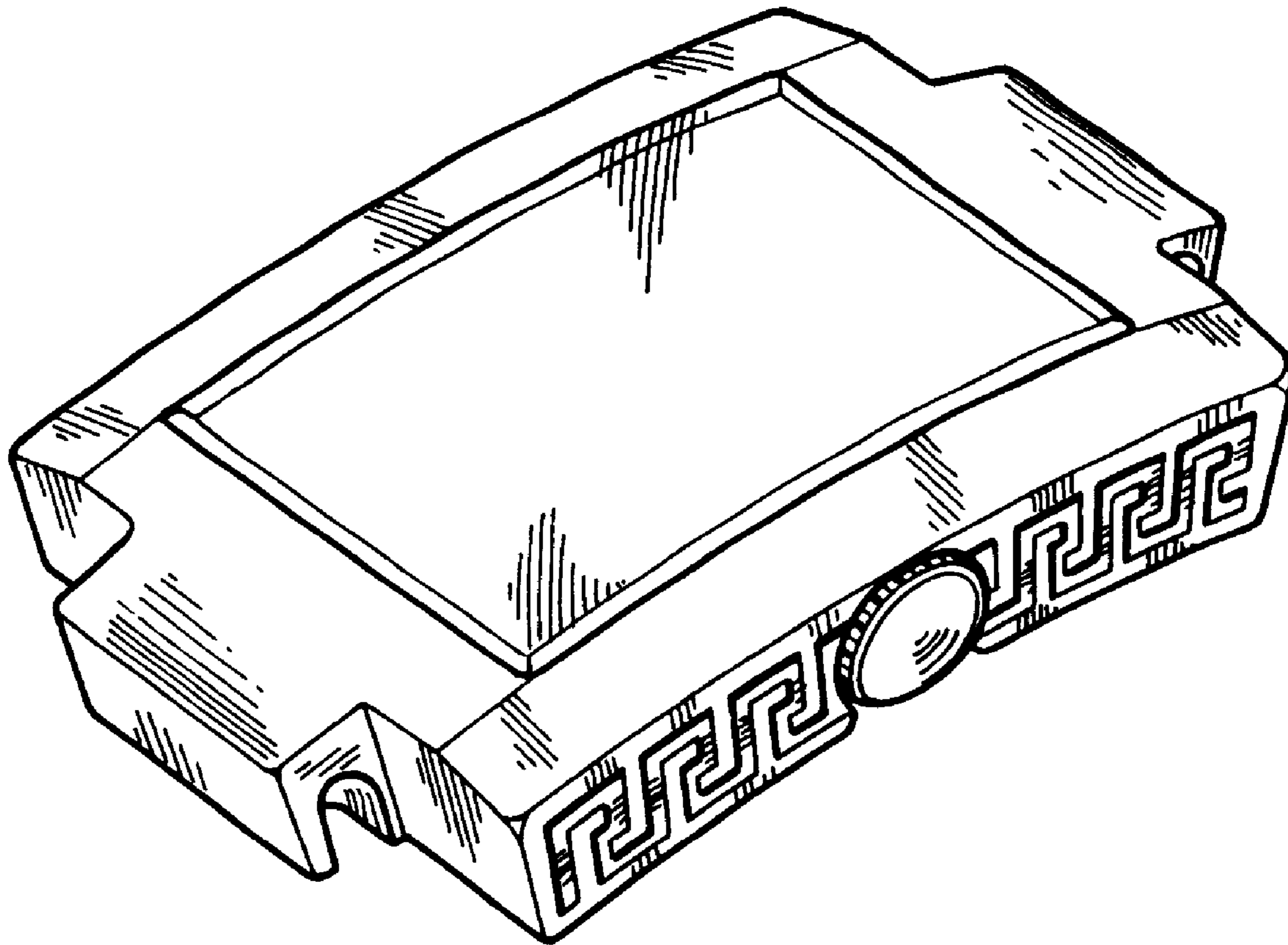
### [57] CLAIM

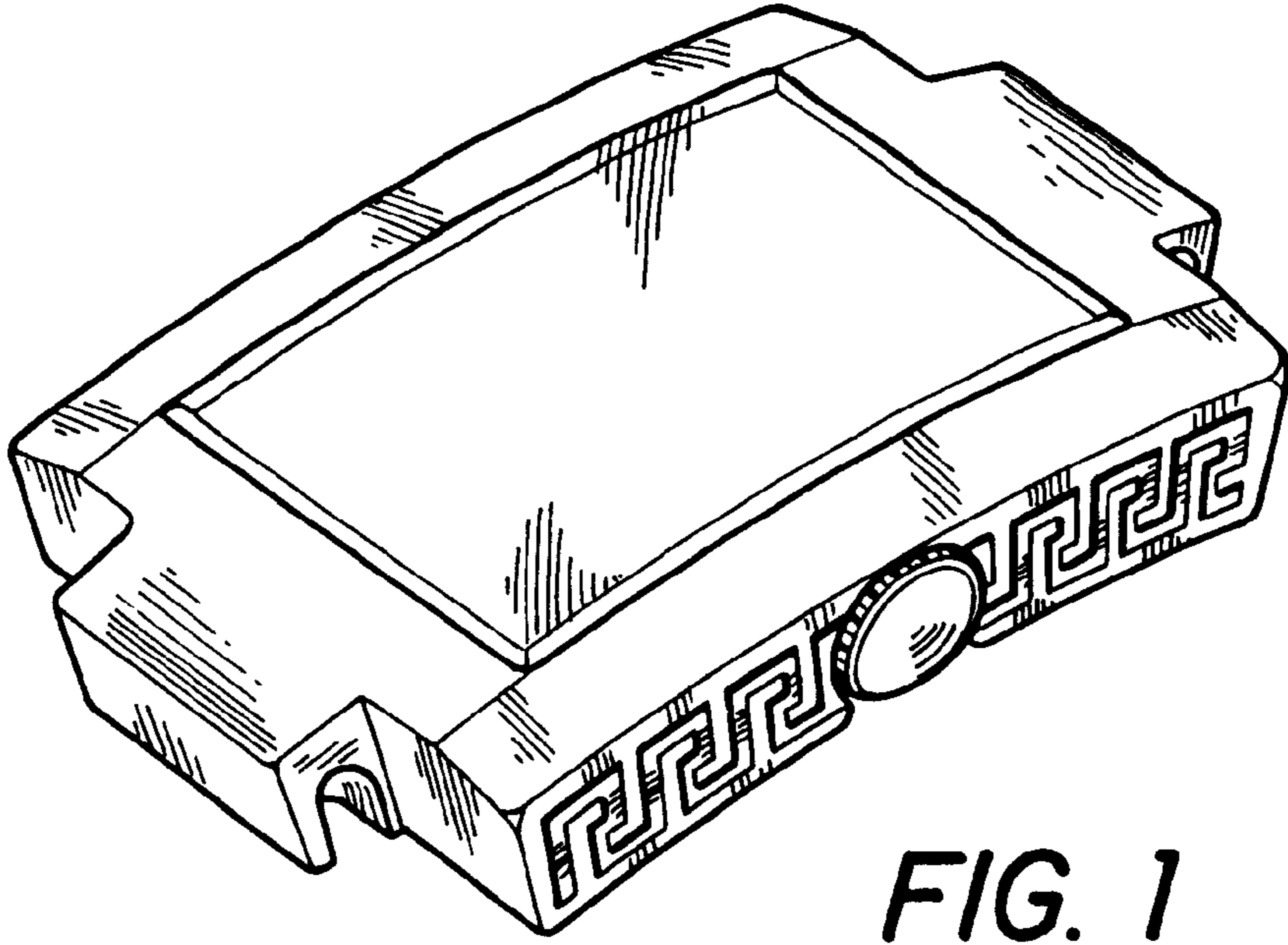
I claim the ornamental design for the watch case, as shown and described.

### DESCRIPTION

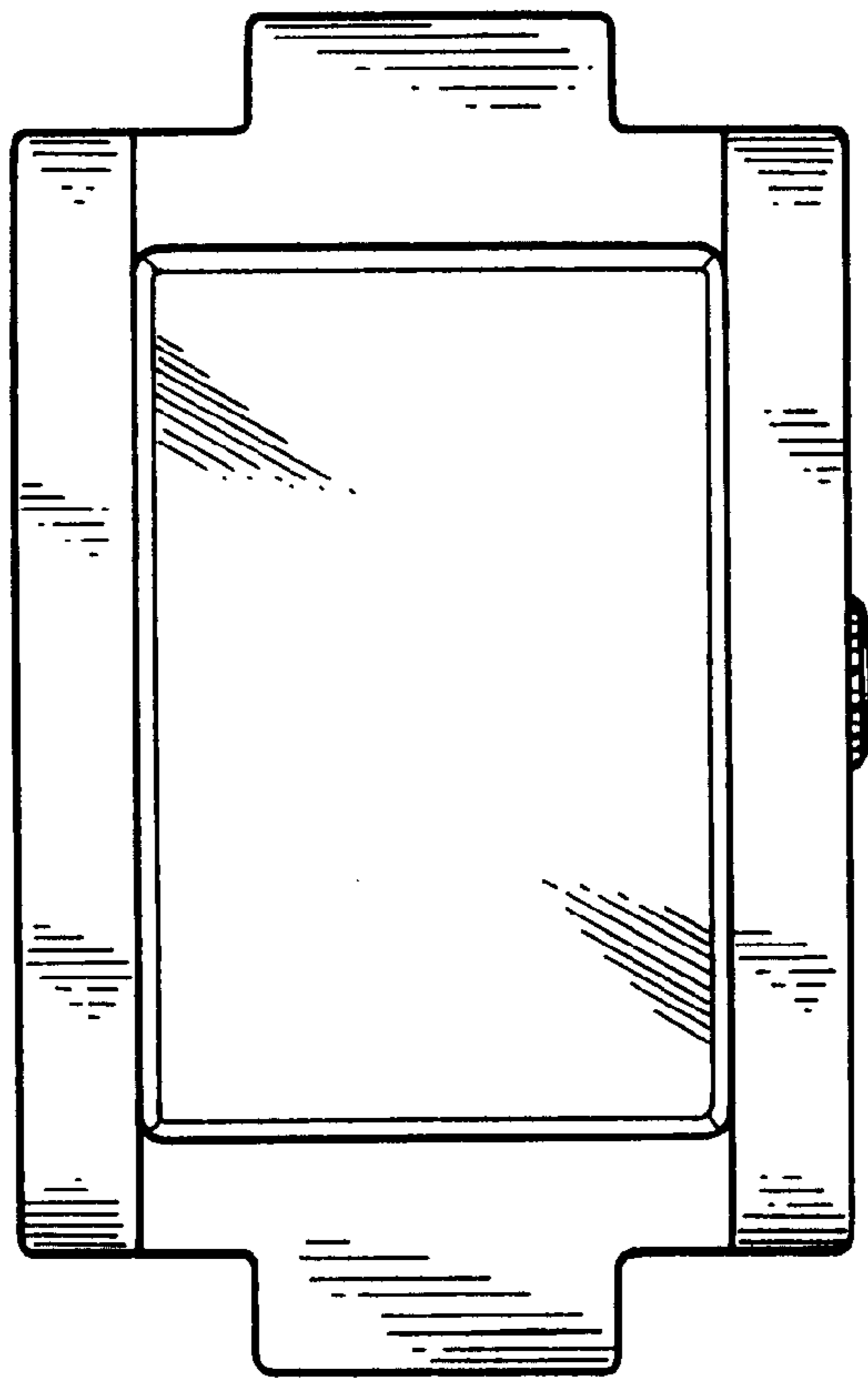
FIG. 1 is a front perspective view of the new ornamental watch case of the present invention. FIG. 2 is a front plan view thereof. FIG. 3 is a rear plan view thereof. FIG. 4 is a right side view thereof. FIG. 5 is a left side view thereof. FIG. 6 is a top plan view thereof; and, FIG. 7 is a bottom plan view thereof.

1 Claim, 2 Drawing Sheets

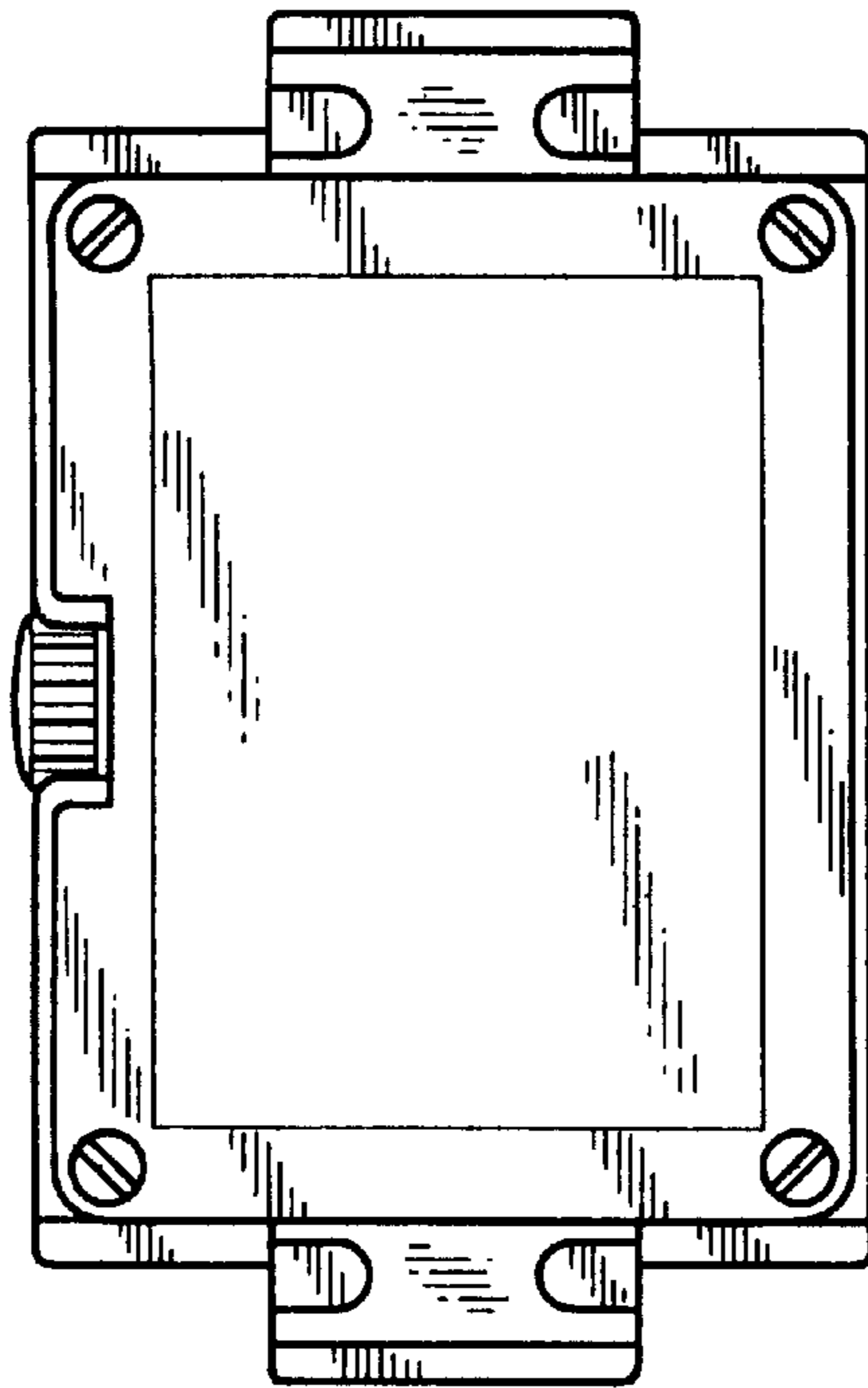




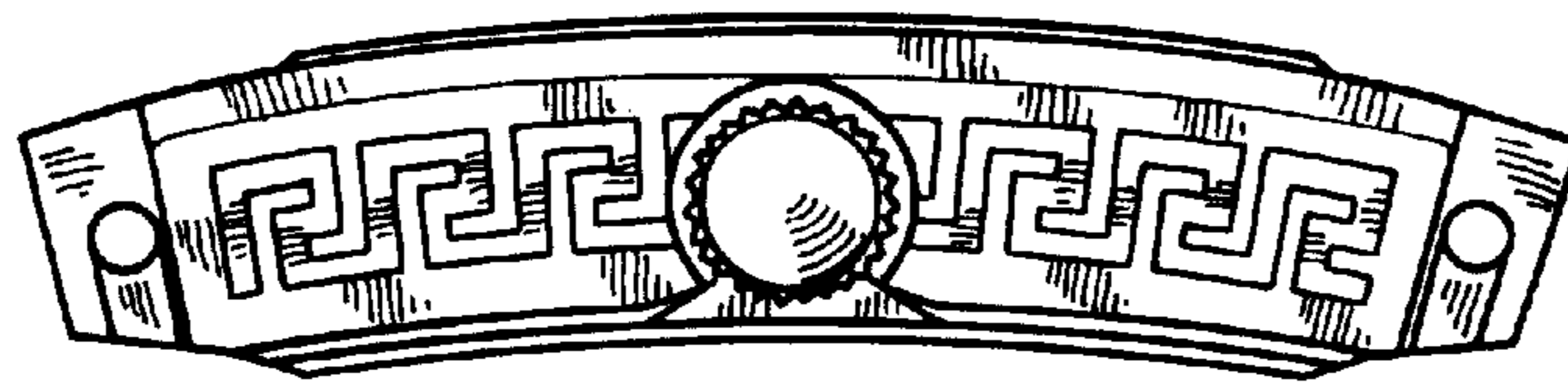
*FIG. 1*



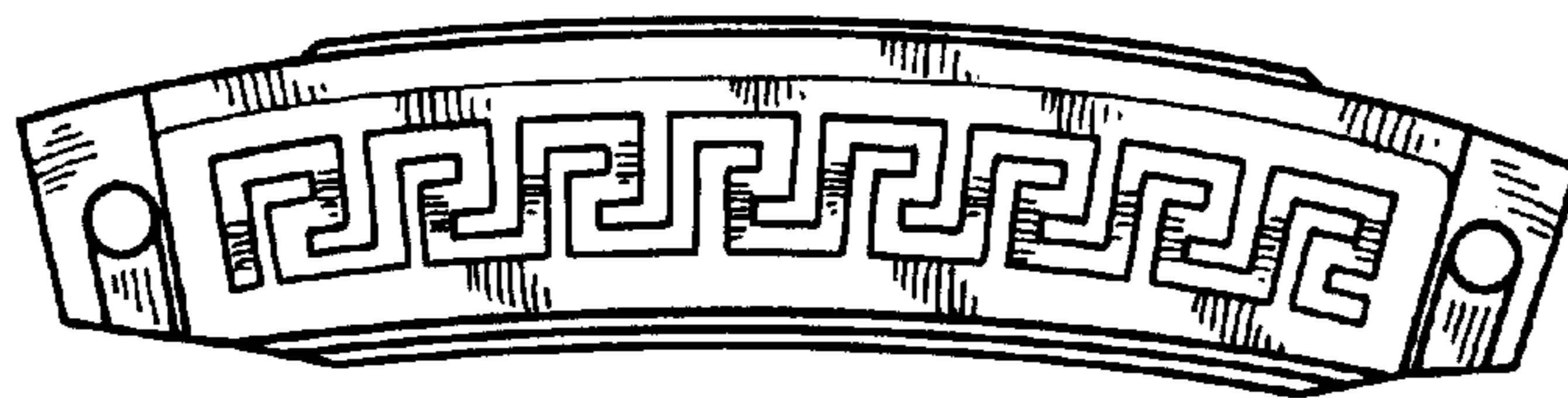
*FIG. 2*



*FIG. 3*



*FIG. 4*



*FIG. 5*

*FIG. 6*



*FIG. 7*

