



US00D433325S

United States Patent [19] Humphrey

[11] Patent Number: **Des. 433,325**

[45] Date of Patent: **** Nov. 7, 2000**

[54] **PACKAGE**

[75] Inventor: **Neill W. Humphrey**, El Dorado Hills, Calif.

[73] Assignee: **Trade Source International**, El Dorado Hills, Calif.

[**] Term: **14 Years**

[21] Appl. No.: **29/101,256**

[22] Filed: **Mar. 1, 1999**

[51] **LOC (7) Cl.** **09-07**

[52] **U.S. Cl.** **D9/418; D9/415**

[58] **Field of Search** D9/414, 415, 418, D9/424, 425, 428, 429, 337; 206/742, 765, 303, 461-471, 495, 806; 220/4.24, 4.25

[56] **References Cited**

U.S. PATENT DOCUMENTS

D. 309,262	7/1990	Coiner	D9/418
D. 321,323	11/1991	Nakamura	D9/415
D. 394,384	5/1998	Humphrey	D9/418
D. 416,485	11/1999	Humphrey	D9/418
D. 418,408	1/2000	Humphrey	D9/415
D. 419,065	1/2000	Humphrey	D9/418
1,784,937	12/1930	Kreslawsky	.	
2,873,023	2/1959	Erickson	206/45.34
3,064,402	11/1962	Crane	53/30
3,416,656	12/1968	Addiego	206/78
3,420,361	1/1969	Newberg	206/44.12
4,099,612	7/1978	Hanson	206/45.19
4,307,803	12/1981	Johnson	206/45.19
4,415,084	11/1983	Hauser et al.	206/461
4,531,637	7/1985	Cusmano	206/461
4,669,610	6/1987	Lindsey et al.	206/320

4,702,368	10/1987	Jones	206/45.24
4,702,374	10/1987	Kelner	206/418
4,781,289	11/1988	Perkins	206/45.24
4,823,960	4/1989	Perlberg et al.	206/587
4,848,577	7/1989	Hoffman et al.	206/467
4,901,858	2/1990	Anderson	206/461
4,930,627	6/1990	Borst et al.	206/470 X
5,002,187	3/1991	Rysner et al.	206/461
5,064,056	11/1991	Gresh	206/45.19
5,188,222	2/1993	Pierce	206/45.34
5,452,802	9/1995	Green	206/466
5,495,937	3/1996	Fraser	206/45.14
5,626,226	5/1997	Gardiner et al.	206/349
5,890,593	4/1999	Humphrey	206/471

OTHER PUBLICATIONS

Techform Inc. Nov. 1982.

Modern Packaging Catalog, p. 300, Jan. 1941.

Primary Examiner—Prabhakar Deshmukh

Attorney, Agent, or Firm—Oppenheimer Wolff & Donnelly LLP

[57] **CLAIM**

The ornamental design for a package, as shown and described.

DESCRIPTION

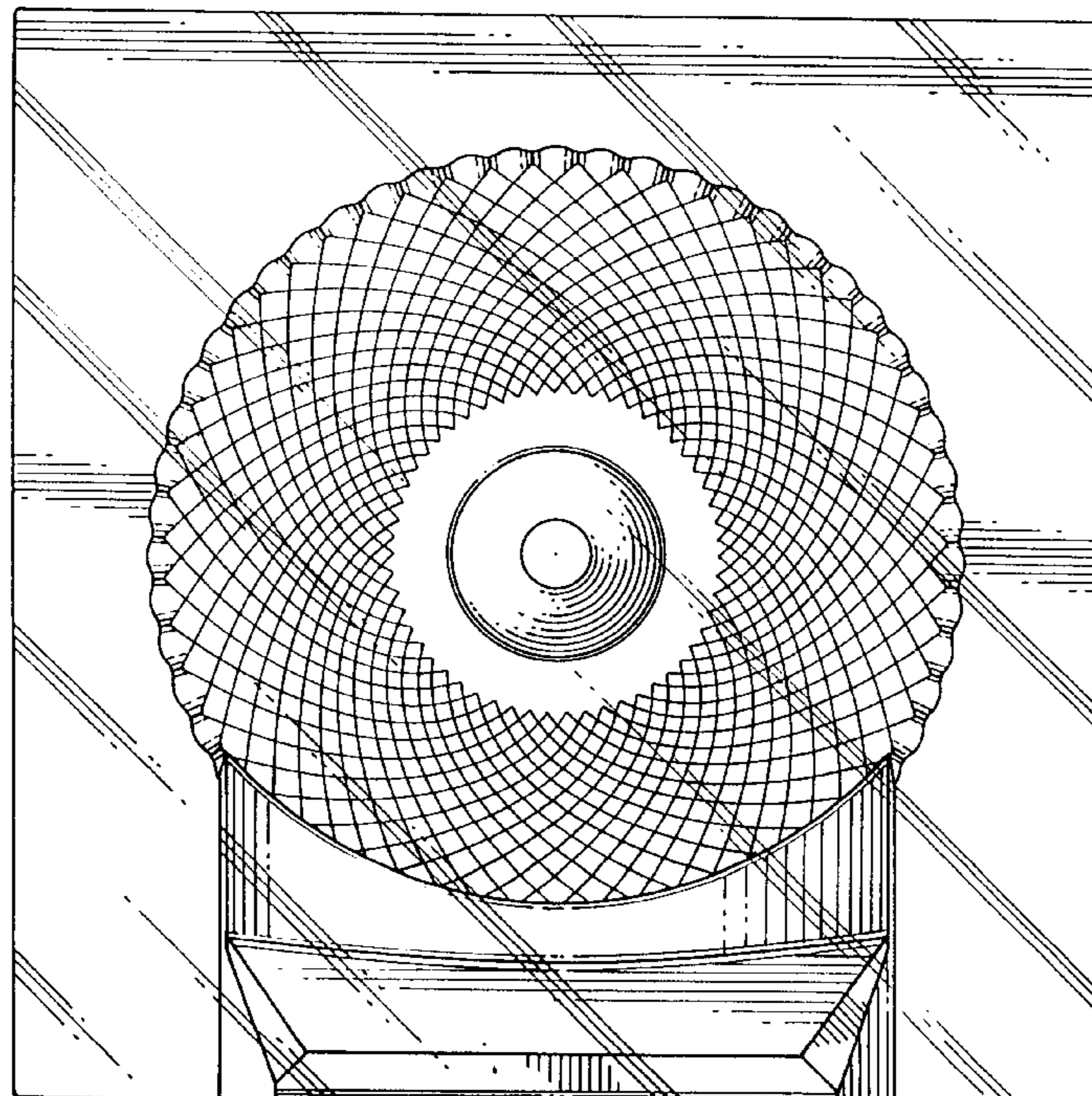
FIG. 1 is a front elevational view of a package showing my new design;

FIG. 2 is a top plan view thereof; and,

FIG. 3 is a right side elevational view thereof; the left side elevational view being a mirror image thereof.

The undisclosed bottom is disclaimed. The rear is plain and unornamented.

1 Claim, 2 Drawing Sheets



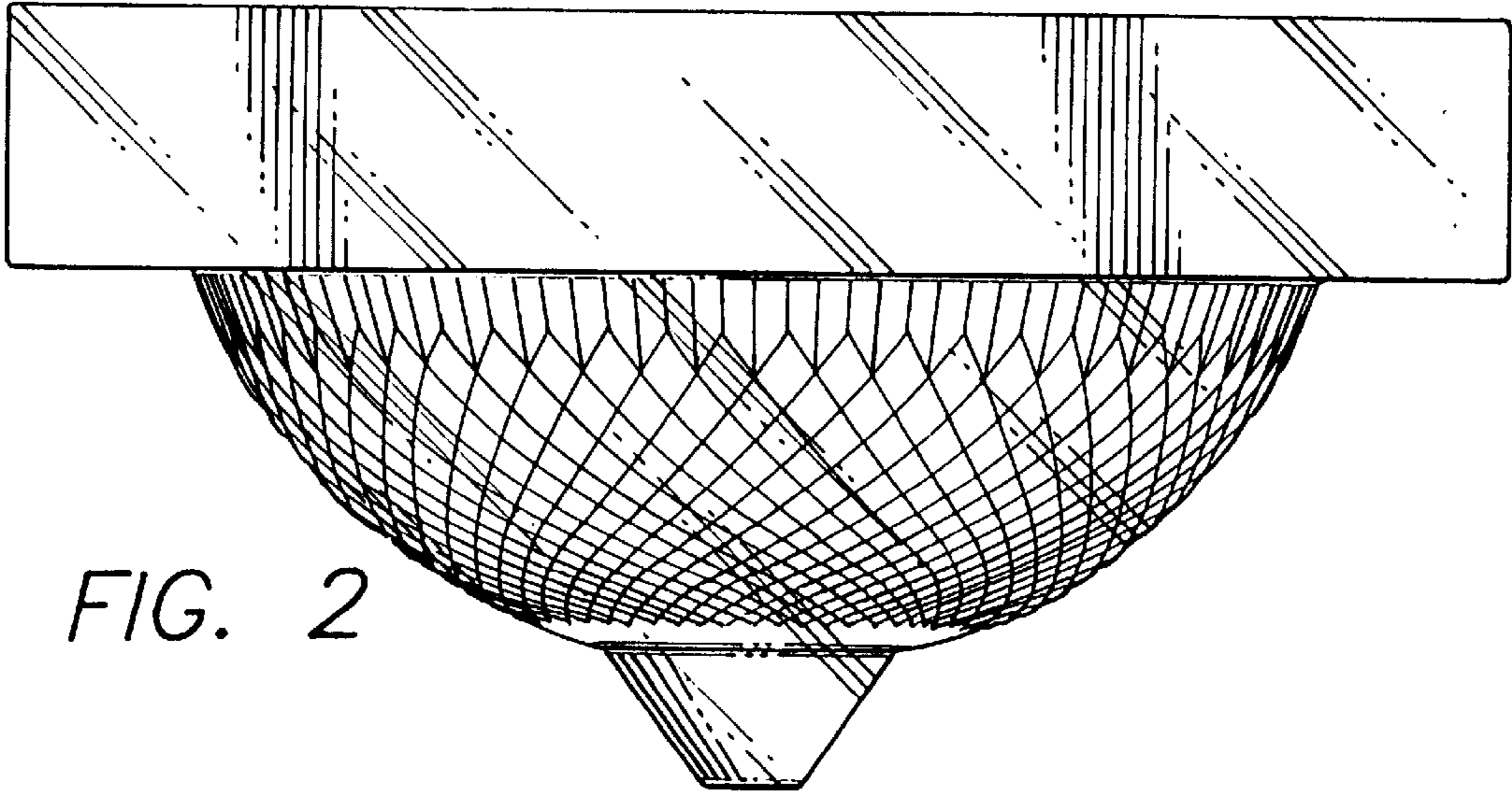
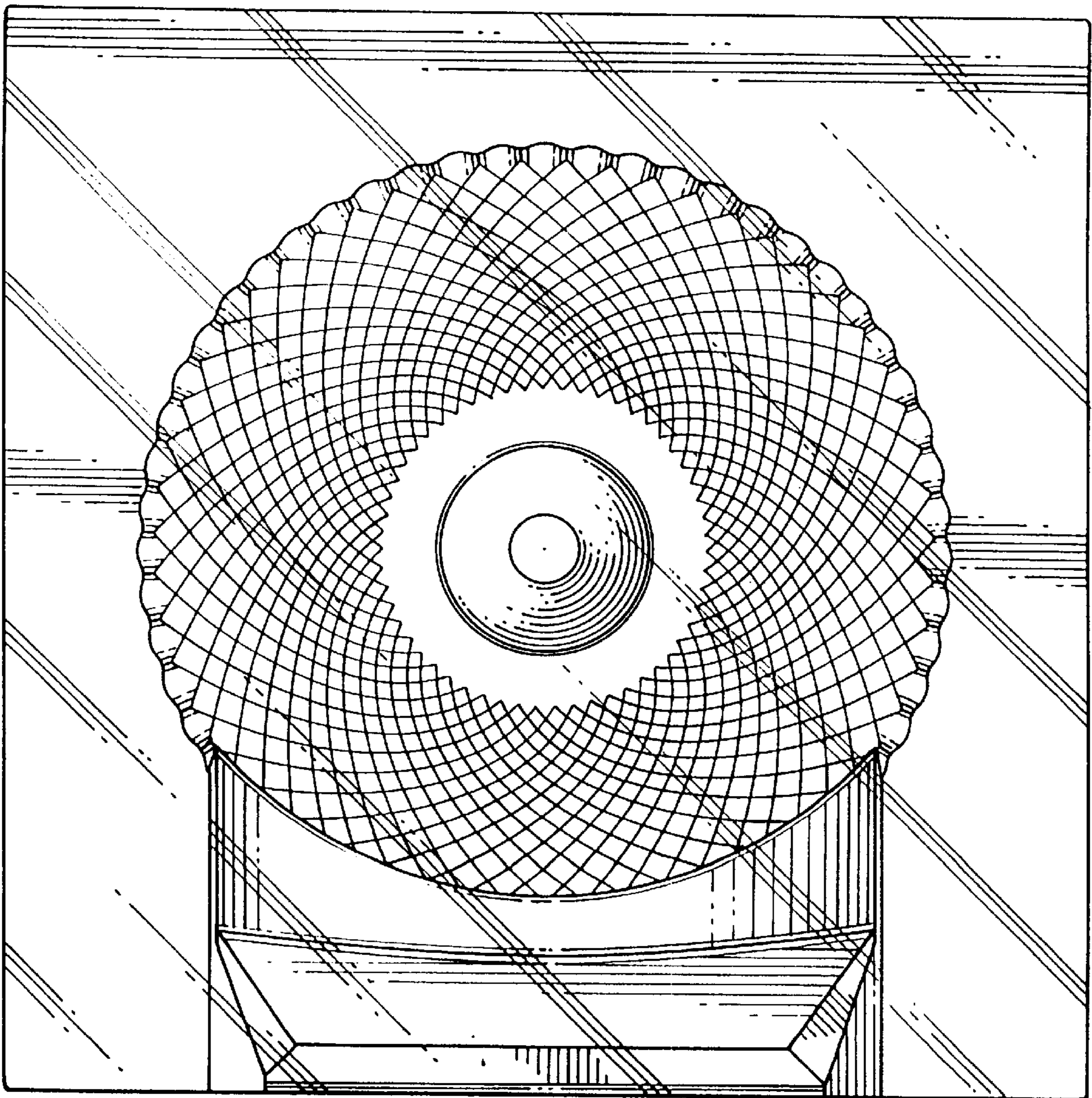


FIG. 2

FIG. 1



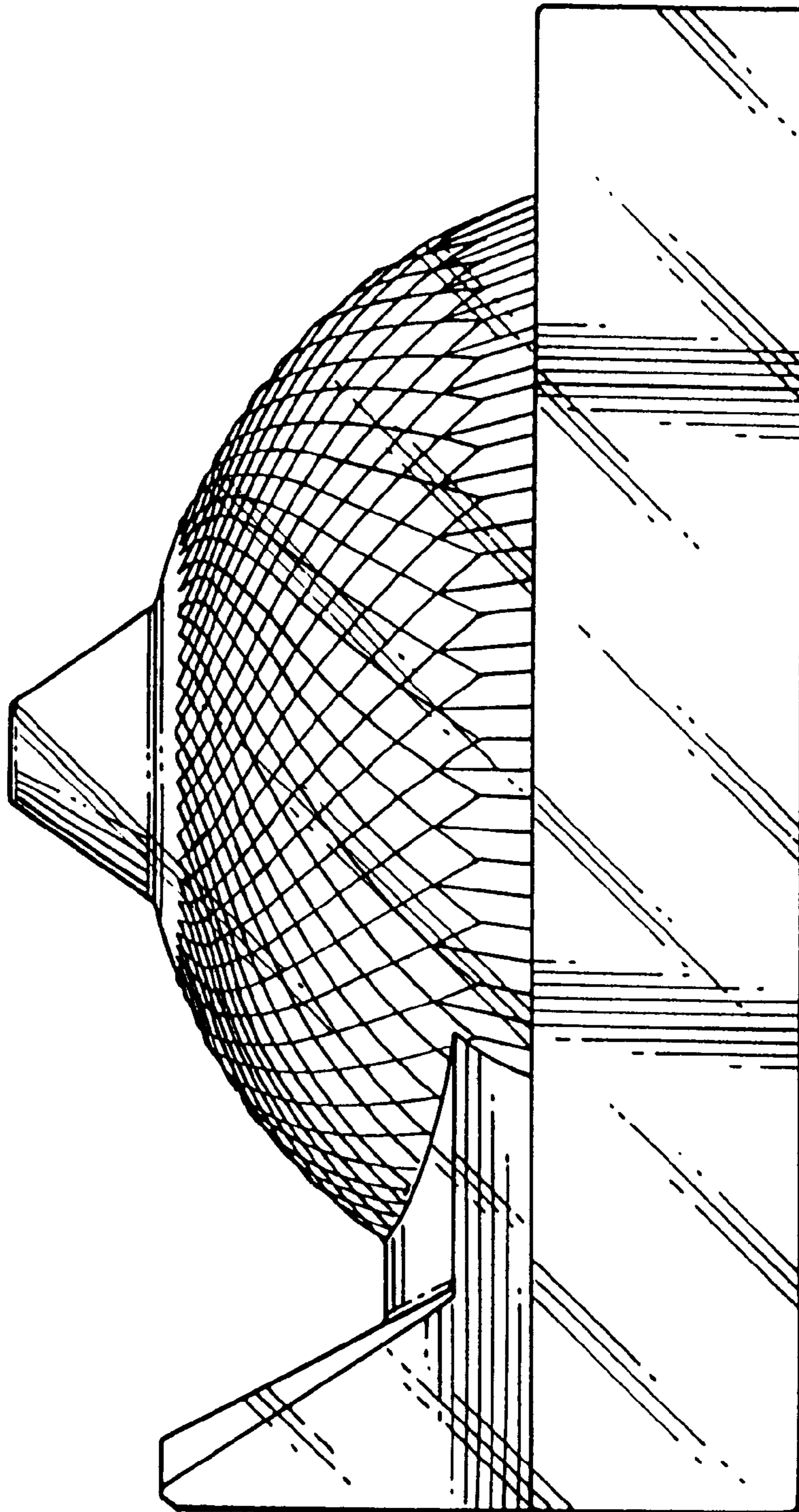


FIG. 3