



US00D433323S

United States Patent [19] Rovere

[11] Patent Number: Des. 433,323

[45] Date of Patent: ** Nov. 7, 2000

[54] CLIP-TYPE CARRIER FOR BOTTLES

5,475,170 12/1995 Weber 206/147
5,667,070 9/1997 Miret 206/427

[75] Inventor: Diego Rovere, Sao Paulo, Brazil

[73] Assignee: The Mead Corporation, Dayton, Ohio

[**] Term: 14 Years

[21] Appl. No.: 29/096,859

[22] Filed: Nov. 21, 1998

[51] LOC (7) Cl. 09-03

[52] U.S. Cl. D9/344

[58] Field of Search D9/344, 434, 455;
206/144-147, 150, 151, 153, 159-161,
199, 427; 294/27.1, 87.2

[56] **References Cited**

U.S. PATENT DOCUMENTS

D. 317,404	6/1991	Schuster	D9/344
3,815,947	6/1974	Olsen	294/87.2
3,860,281	1/1975	Wood	294/87.2
4,180,191	12/1979	Wood	294/87.2
4,244,617	1/1981	Manizza	294/87.2
4,305,500	12/1981	Jaeschke	206/153
4,318,476	3/1982	Wood et al.	206/459
5,273,156	12/1993	Harris	206/147
5,344,006	9/1994	Mazzeo	206/153
5,351,816	10/1994	Sutherland et al.	206/153

FOREIGN PATENT DOCUMENTS

WO 93/23309 11/1993 WIPO .
WO 94/07760 4/1994 WIPO .

Primary Examiner—Doris V. Coles
Assistant Examiner—Cathron B. Matta
Attorney, Agent, or Firm—Michael V. Drew

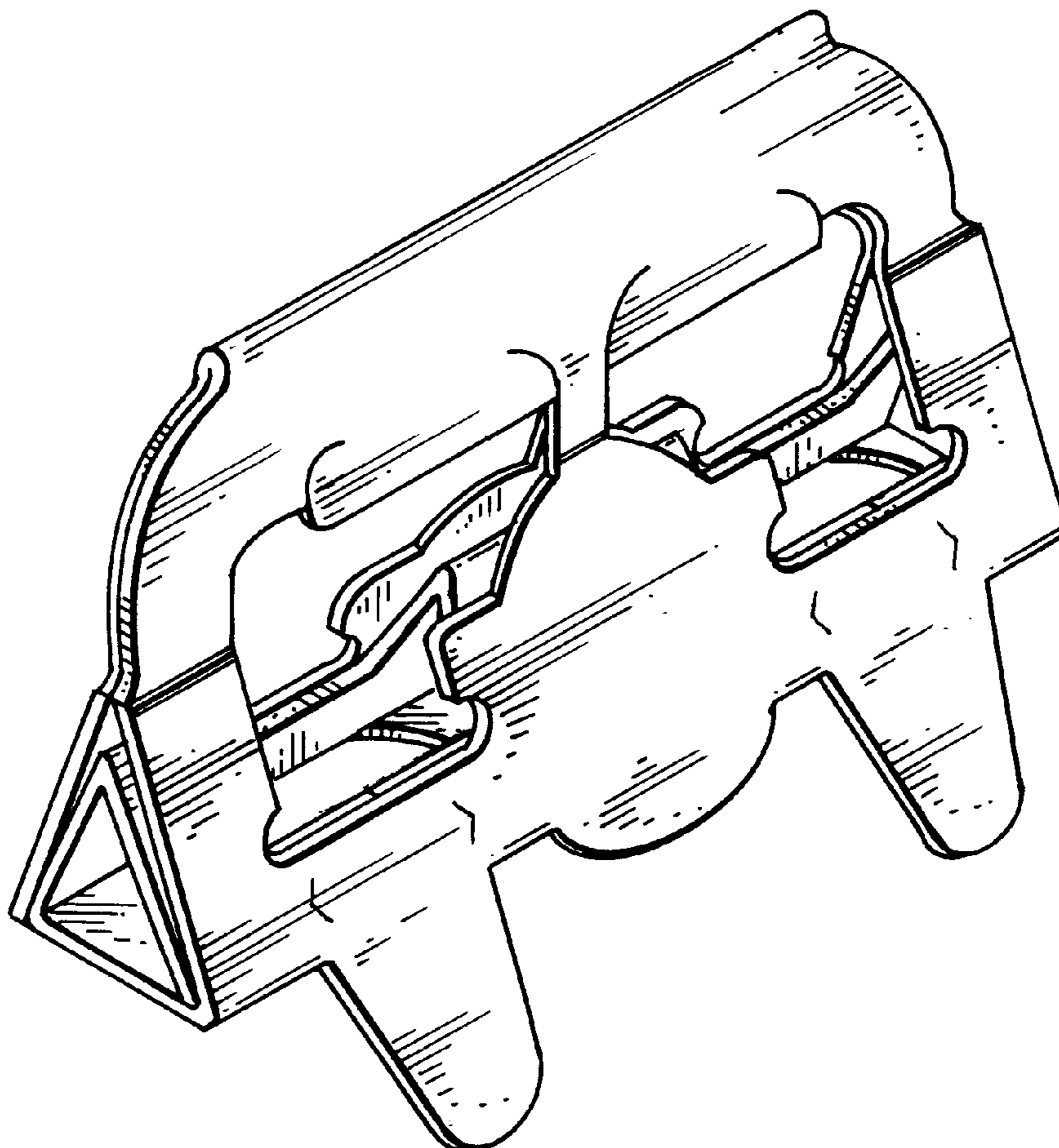
[57] **CLAIM**

The ornamental design for a clip-type carrier for bottles, as shown and described.

DESCRIPTION

FIG. 1 is a isometric view of a clip-type carrier for bottles showing my new design;
FIG. 2 is a side elevation thereof, the opposing side elevation being a mirror image hereof;
FIG. 3 is a top plan view thereof;
FIG. 4 is a front elevation thereof;
FIG. 5 is a rear elevation thereof; and,
FIG. 6 is a bottom plan view thereof.
The broken line showing of a container upper is for illustrative purposes only and forms no part of the claimed design.

1 Claim, 3 Drawing Sheets



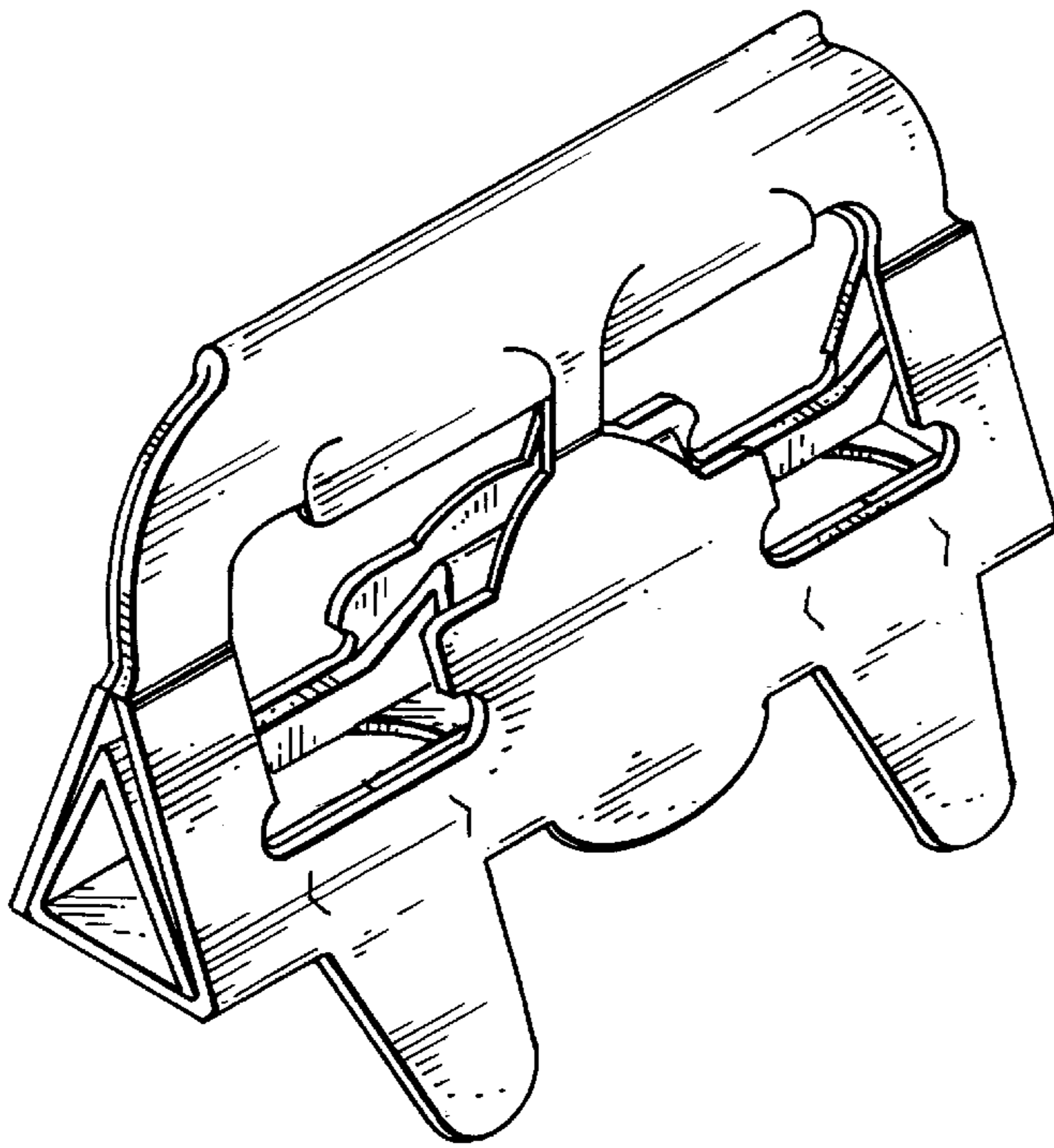
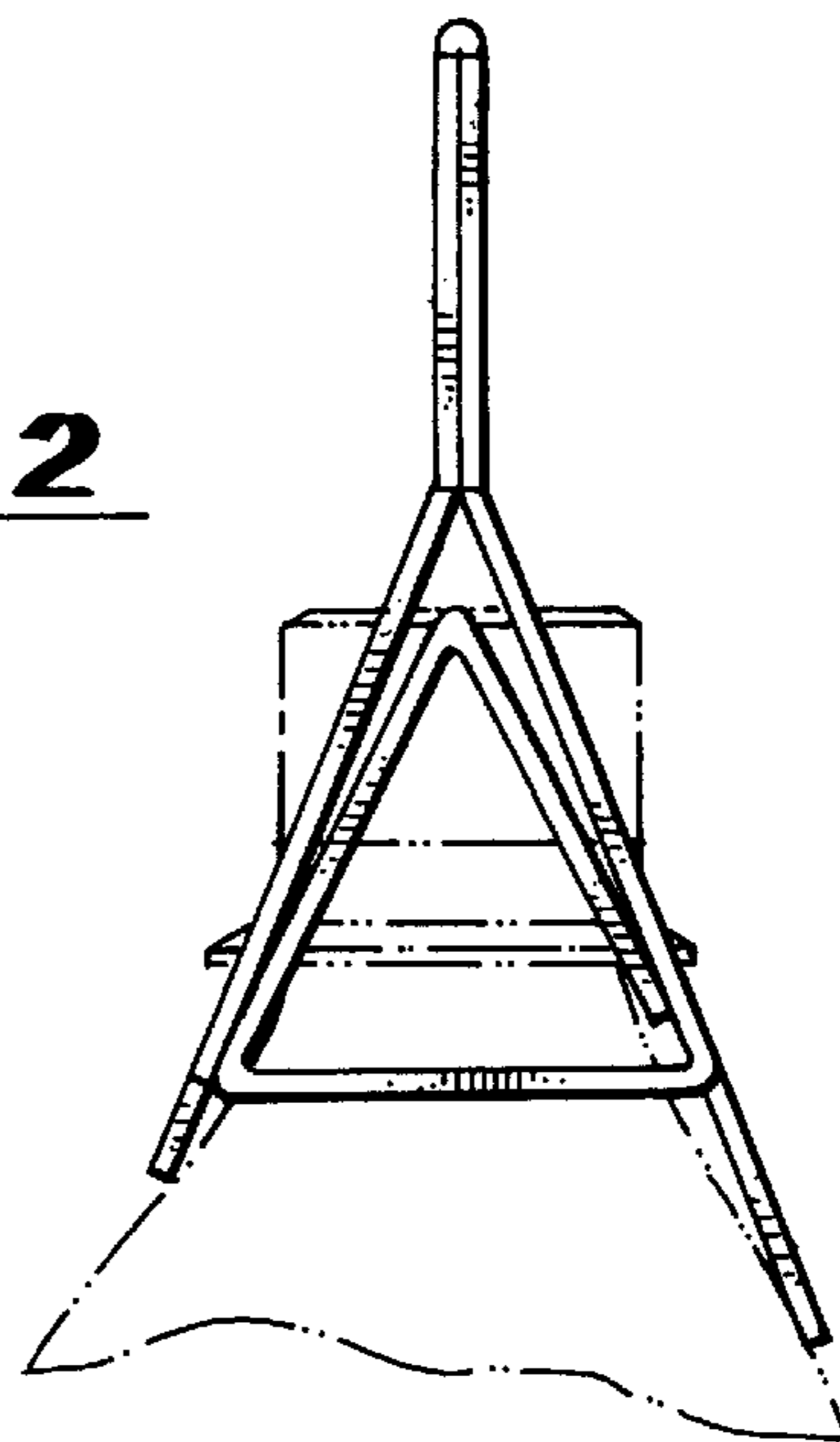


Fig. 1

Fig. 2



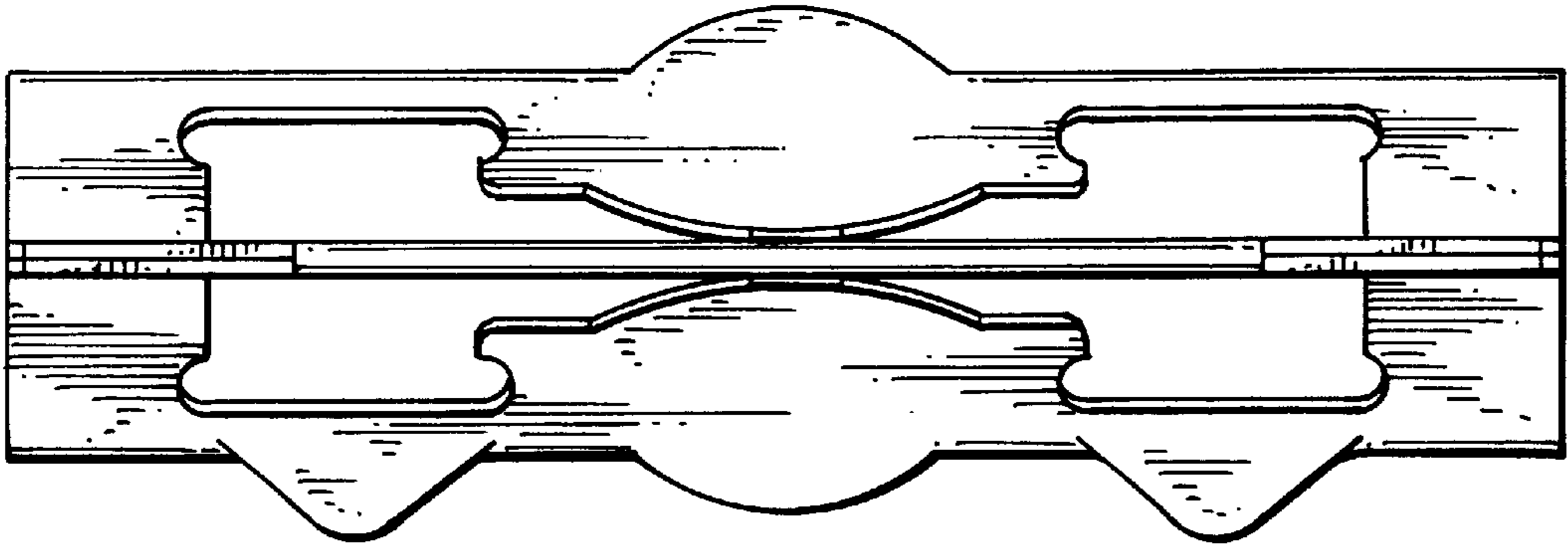


Fig. 3

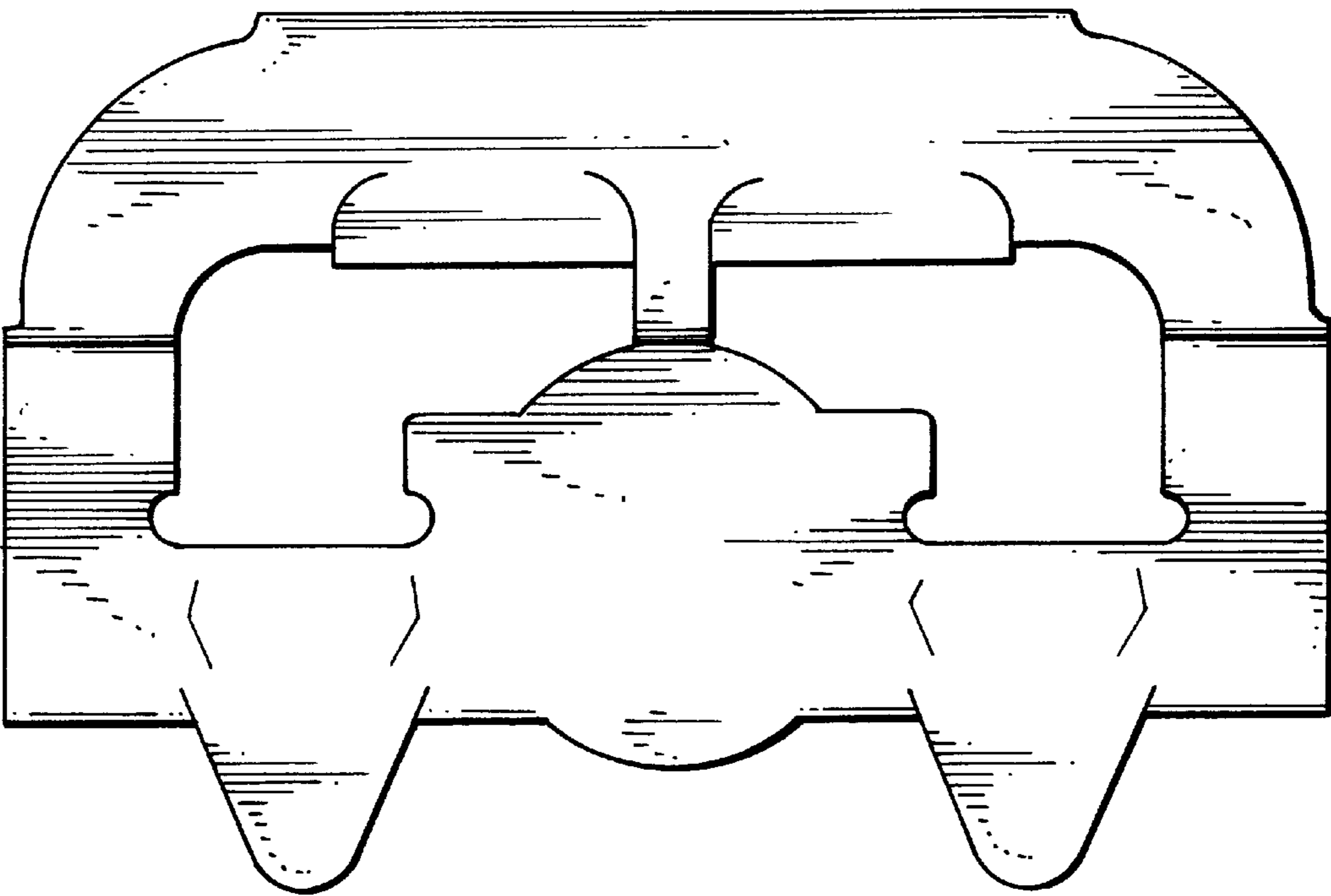


Fig. 4

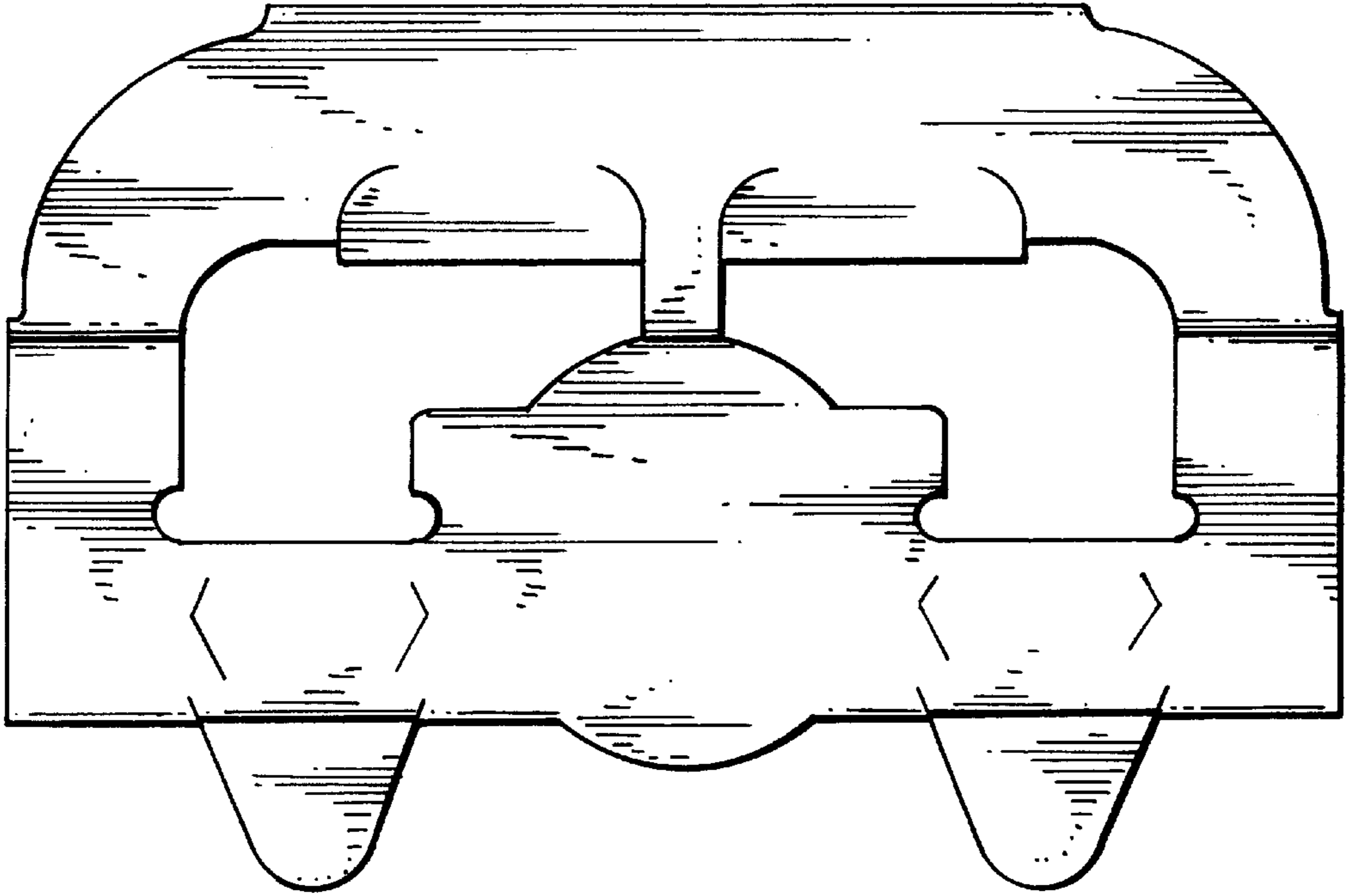


Fig. 5

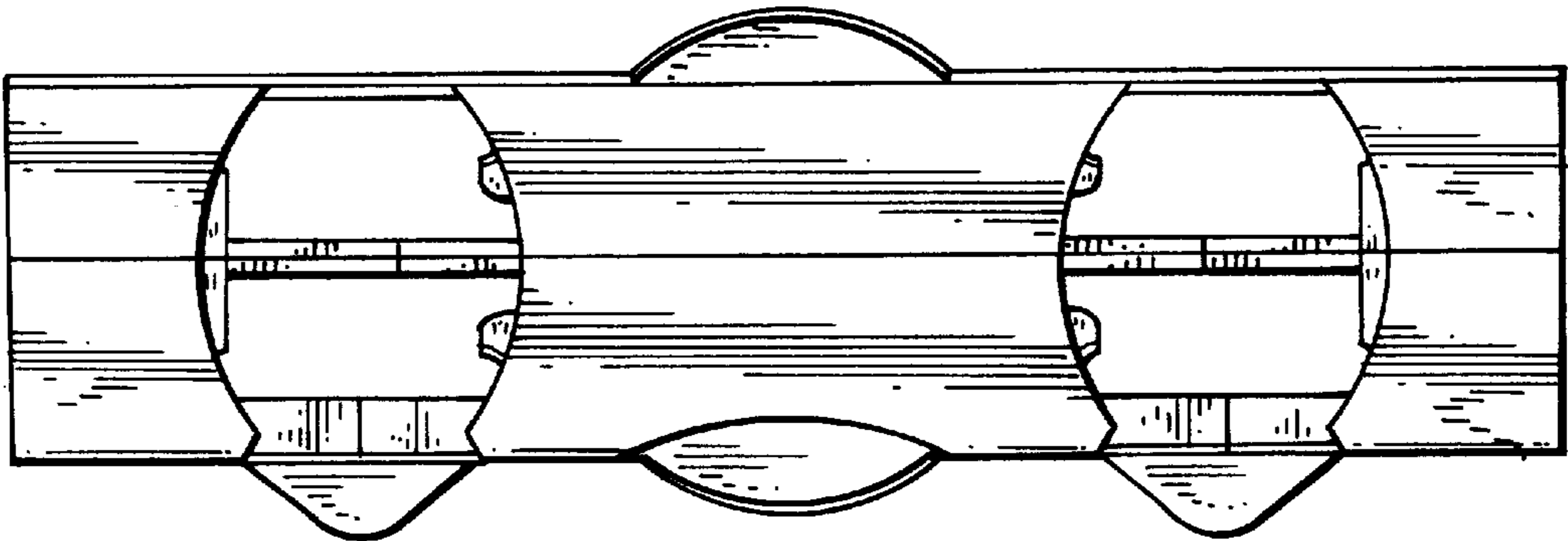


Fig. 6