



US00D433317S

United States Patent [19]

Graves et al.

[11] Patent Number: Des. 433,317

[45] Date of Patent: ** Nov. 7, 2000

[54] FINIAL

D. 241,768 10/1976 Schonbek D26/154

[75] Inventors: **Brain Graves; Zhiwei Xu**, both of San Diego, Calif.

Primary Examiner—Holly Baynham
Attorney, Agent, or Firm—Dobrusin Darden Thennisch Law Firm PLLC

[73] Assignee: **Beme International LLC**, San Diego, Calif.

[57] CLAIM

[**] Term: **14 Years**

The ornamental design for a finial, as shown.

[21] Appl. No.: **29/109,582**

DESCRIPTION

[22] Filed: **Aug. 18, 1999**

FIG. 1 shows a perspective view of a finial incorporating our design.

[51] **LOC (7) Cl.** **08-05**

FIG. 2 shows a bottom plan view of the finial shown in FIG. 1, the top view being identical to the bottom view.

[52] **U.S. Cl.** **D8/378**

FIG. 3 shows a left side elevational view of the finial shown in FIG. 1.

[58] **Field of Search** D8/378; D26/154; 428/28

FIG. 4 shows a right side elevational view of the finial shown in FIG. 1; and,

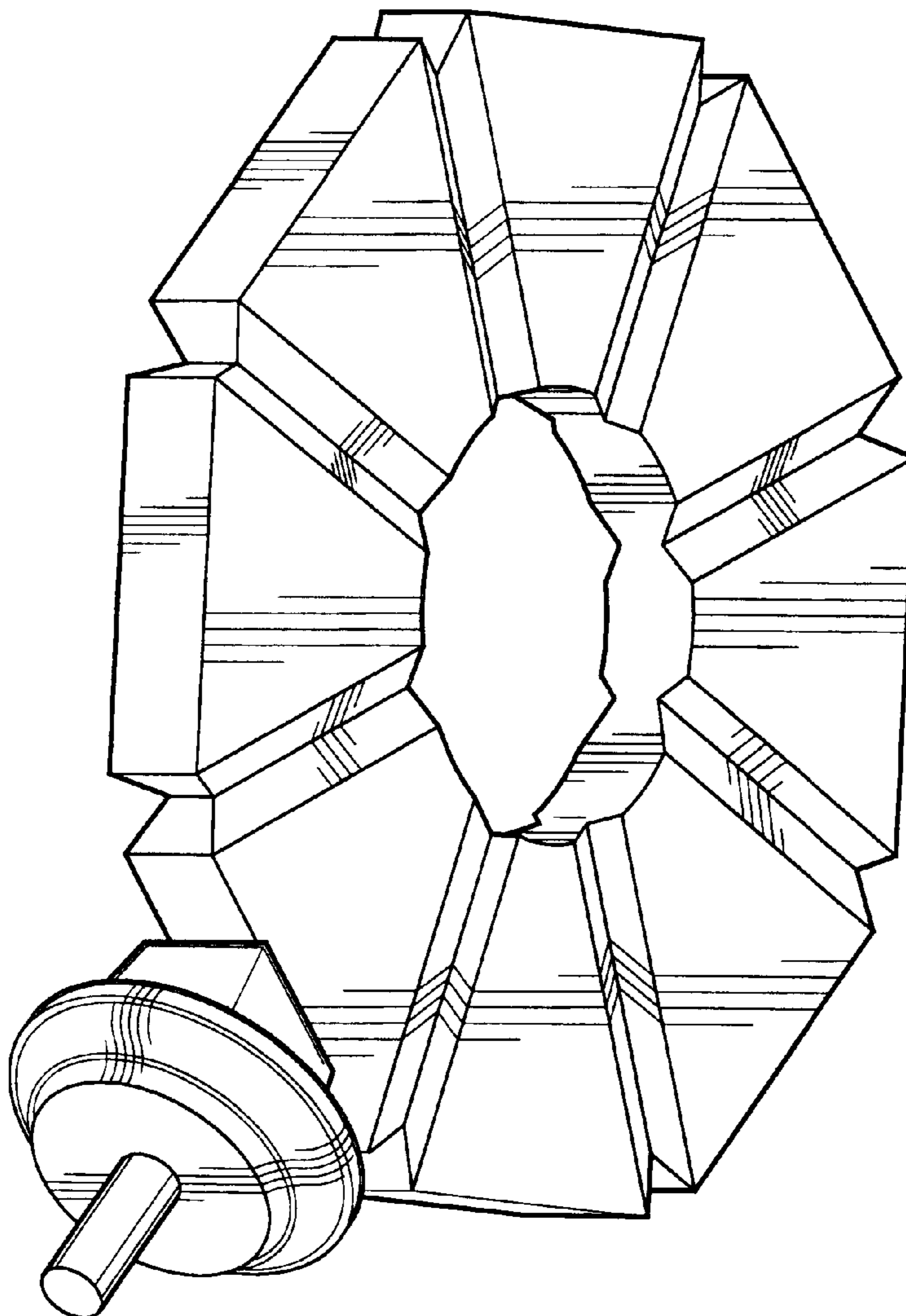
[56] References Cited

FIG. 5 shows a front elevational view of the finial shown in FIG. 1, the rear elevational view being the mirror image of the front view.

U.S. PATENT DOCUMENTS

- D. 25,271 3/1896 Smith D8/363
- D. 25,273 3/1896 Smith D8/363

1 Claim, 2 Drawing Sheets



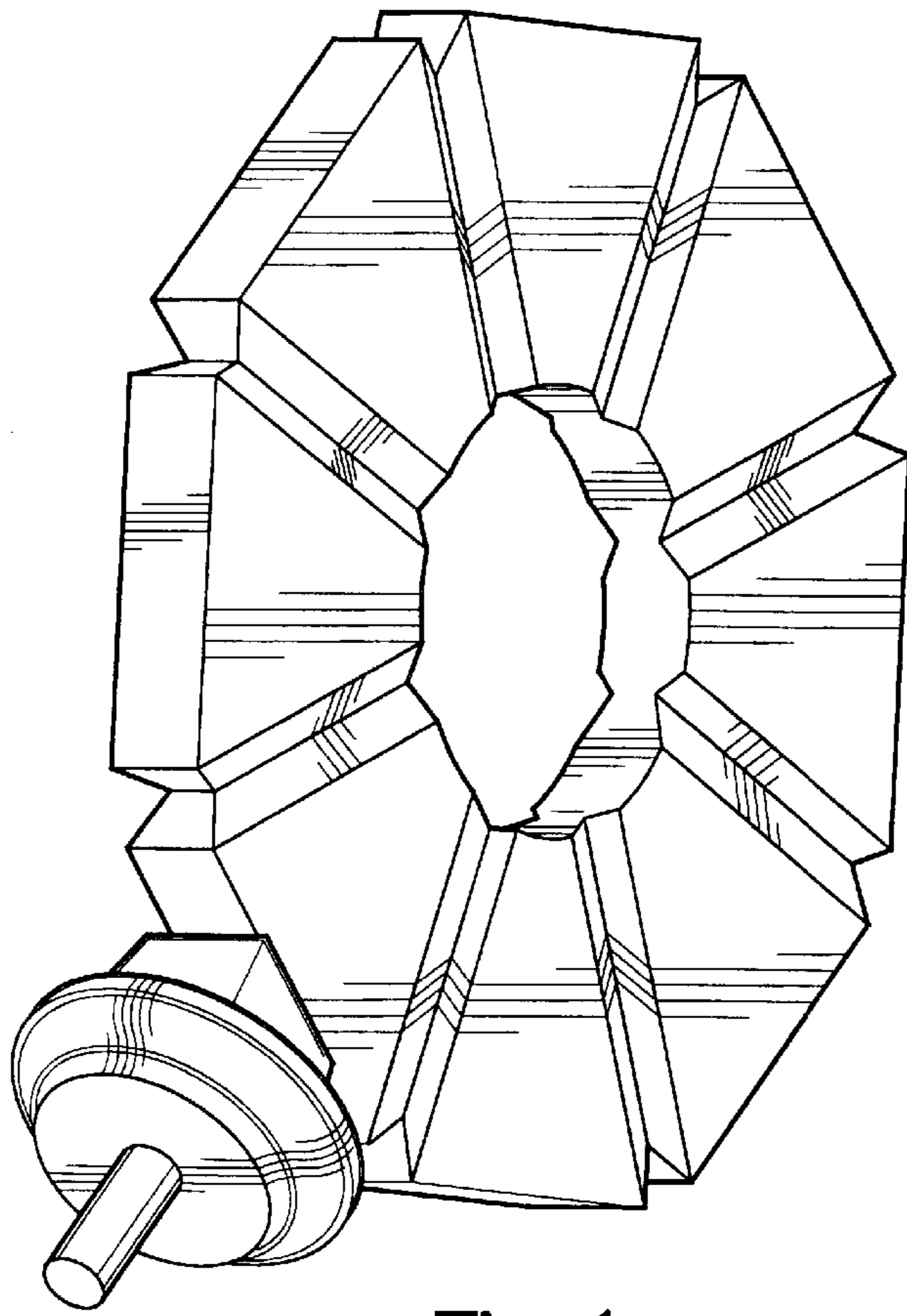


Fig-1

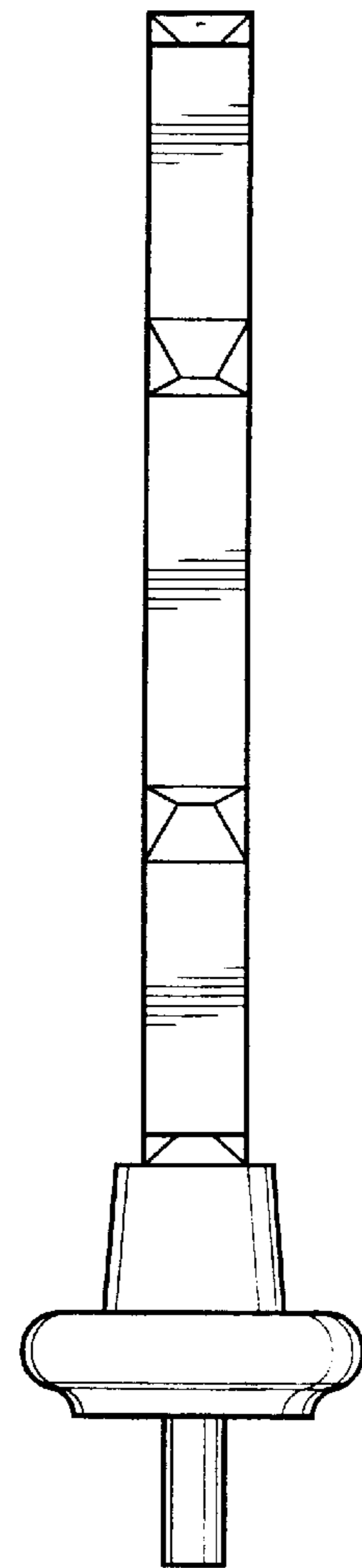


Fig-2

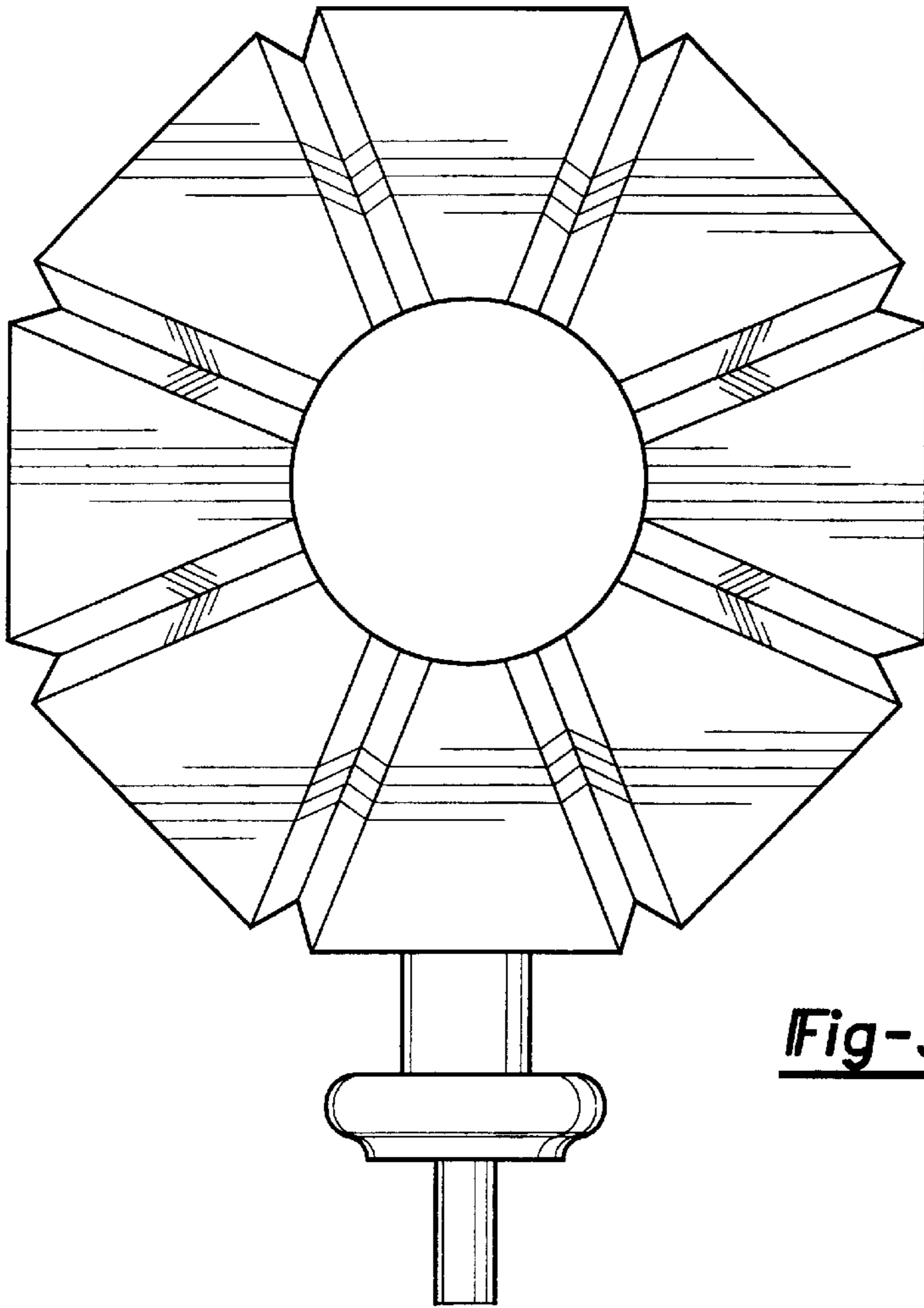


Fig-3

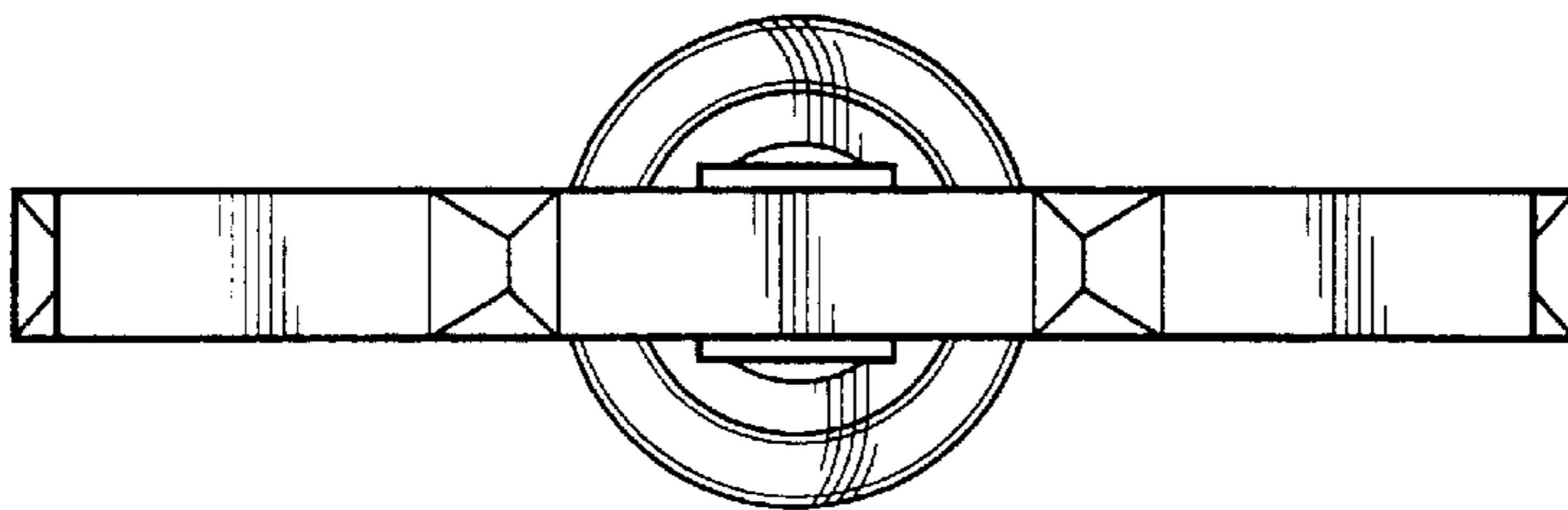
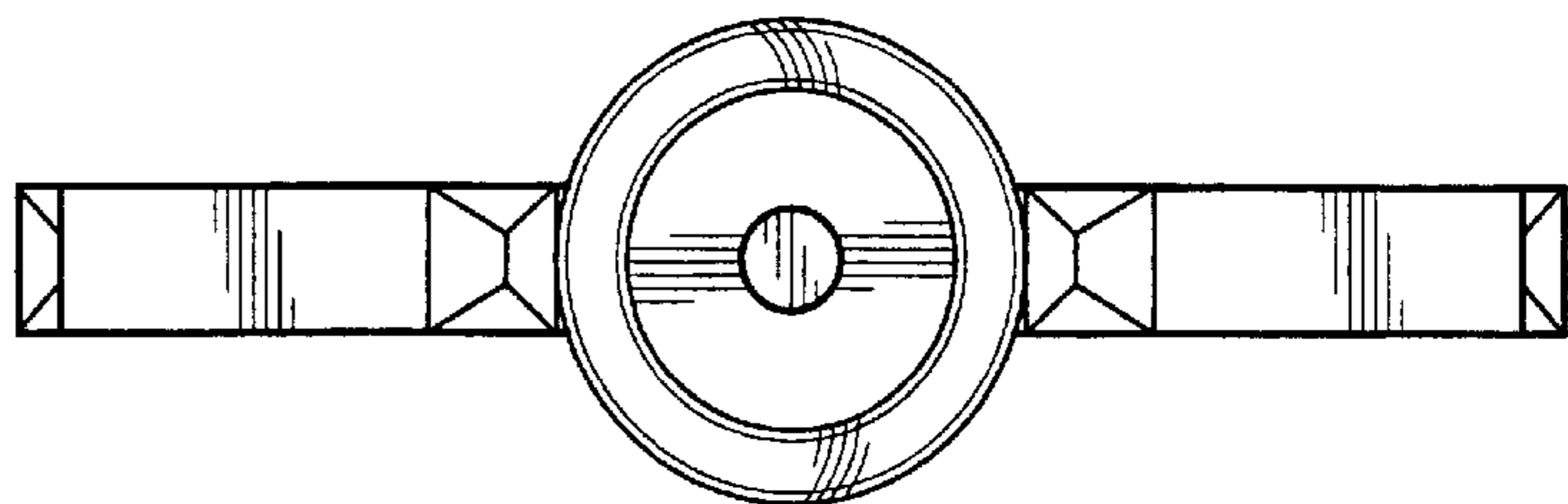


Fig-4

Fig-5



UNITED STATES PATENT AND TRADEMARK OFFICE
CERTIFICATE OF CORRECTION

PATENT NO. : Des. 433,317
DATED : November 7, 2000
INVENTOR(S) : Brain Graves, et al.

Page 1 of 1

It is certified that error appears in the above-identified patent and that said Letters Patent is hereby corrected as shown below:

Title page,
Under Description, line 7, "final" should be changed to --finial--

Signed and Sealed this
Third Day of July, 2001

Nicholas P. Godici

Attest:

Attesting Officer

NICHOLAS P. GODICI
Acting Director of the United States Patent and Trademark Office