



US00D433316S

# United States Patent [19] Snell

[11] **Patent Number: Des. 433,316**

[45] **Date of Patent: \*\* Nov. 7, 2000**

[54] **OVER THE DOOR RACK**

[75] Inventor: **Russell Benton Snell**, Shaker Heights, Ohio

[73] Assignee: **InterDesign, Inc.**, Solon, Ohio

[\*\*] Term: **14 Years**

[21] Appl. No.: **29/109,904**

[22] Filed: **Aug. 25, 1999**

[51] **LOC (7) Cl.** ..... **08-05**

[52] **U.S. Cl.** ..... **D8/372**

[58] **Field of Search** ..... D8/372, 367, 373;  
248/302-303; D6/572, 323, 566, 567; 211/123,  
87

[56] **References Cited**

**U.S. PATENT DOCUMENTS**

D. 324,314	3/1992	Licari et al.	.....	D6/323
D. 355,841	2/1995	Goodman et al.	.....	D8/372
D. 357,403	4/1995	Goodman et al.	.....	D8/372

*Primary Examiner*—Holly Baynham

*Attorney, Agent, or Firm*—D. Peter Hochberg; William H. Holt; Michael J. Corrigan

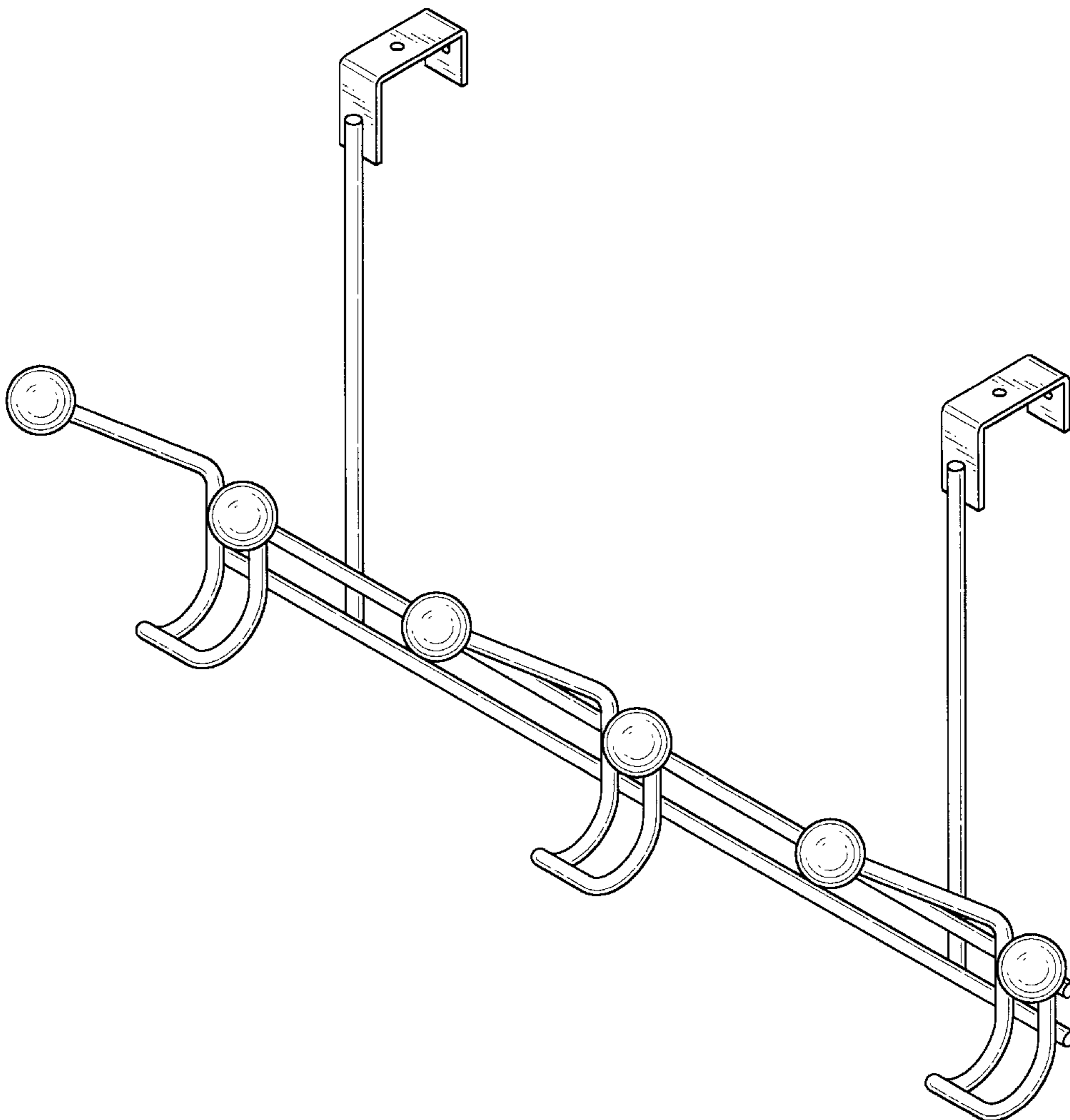
[57] **CLAIM**

The ornamental design for an over the door rack, as shown and described.

**DESCRIPTION**

FIG. 1 is a perspective view of the over the door rack according to the invention;  
 FIG. 2 is a top view of the over the door rack as shown in FIG. 1;  
 FIG. 3 is a bottom view of the over the door rack as shown in FIG. 1;  
 FIG. 4 is a front view of the over the door rack as shown in FIG. 1;  
 FIG. 5 is a rear view of the over the door rack as shown in FIG. 1,  
 FIG. 6 is a side view of the over the door rack as shown in FIG. 1; and,  
 FIG. 7 is a side view of the over the door rack shown in FIG. 1, viewed from the opposite side from that shown in FIG. 6.

**1 Claim, 5 Drawing Sheets**



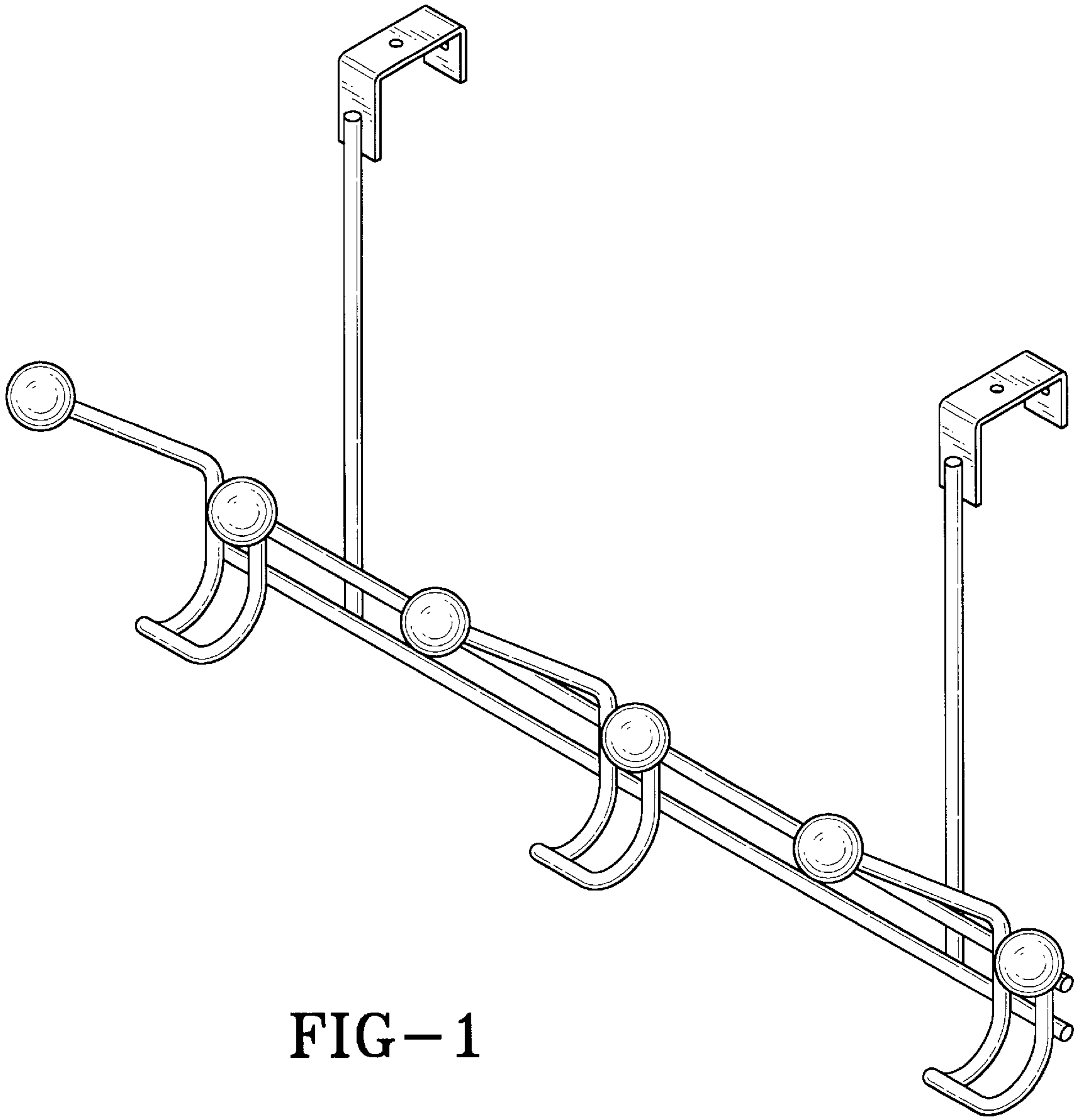


FIG-1

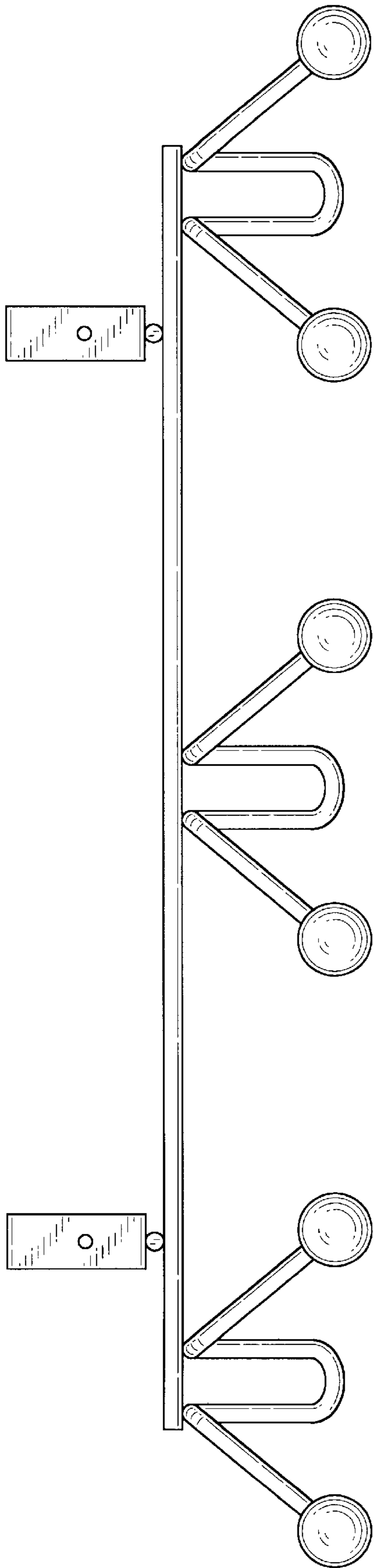


FIG-2

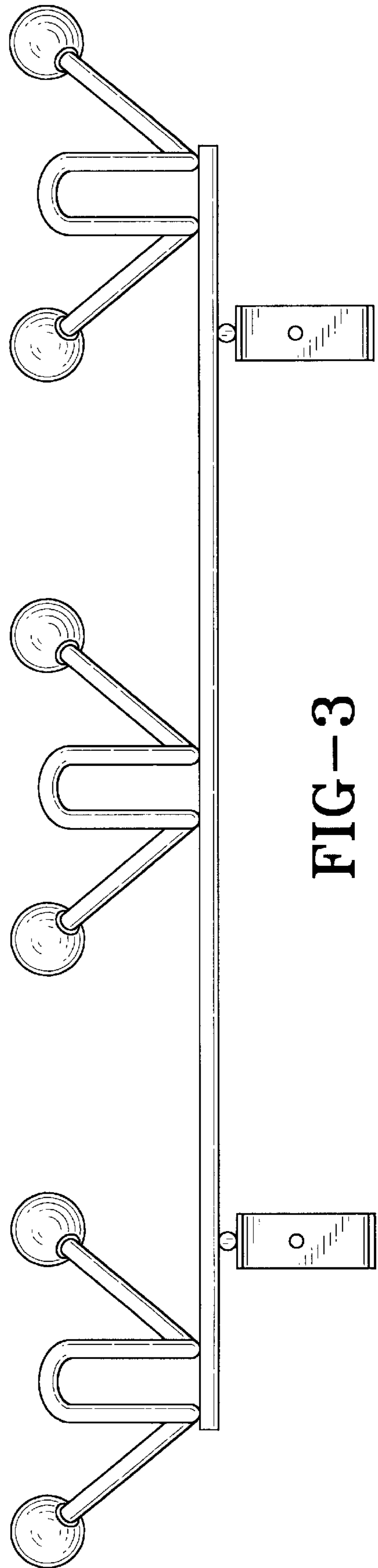


FIG-3

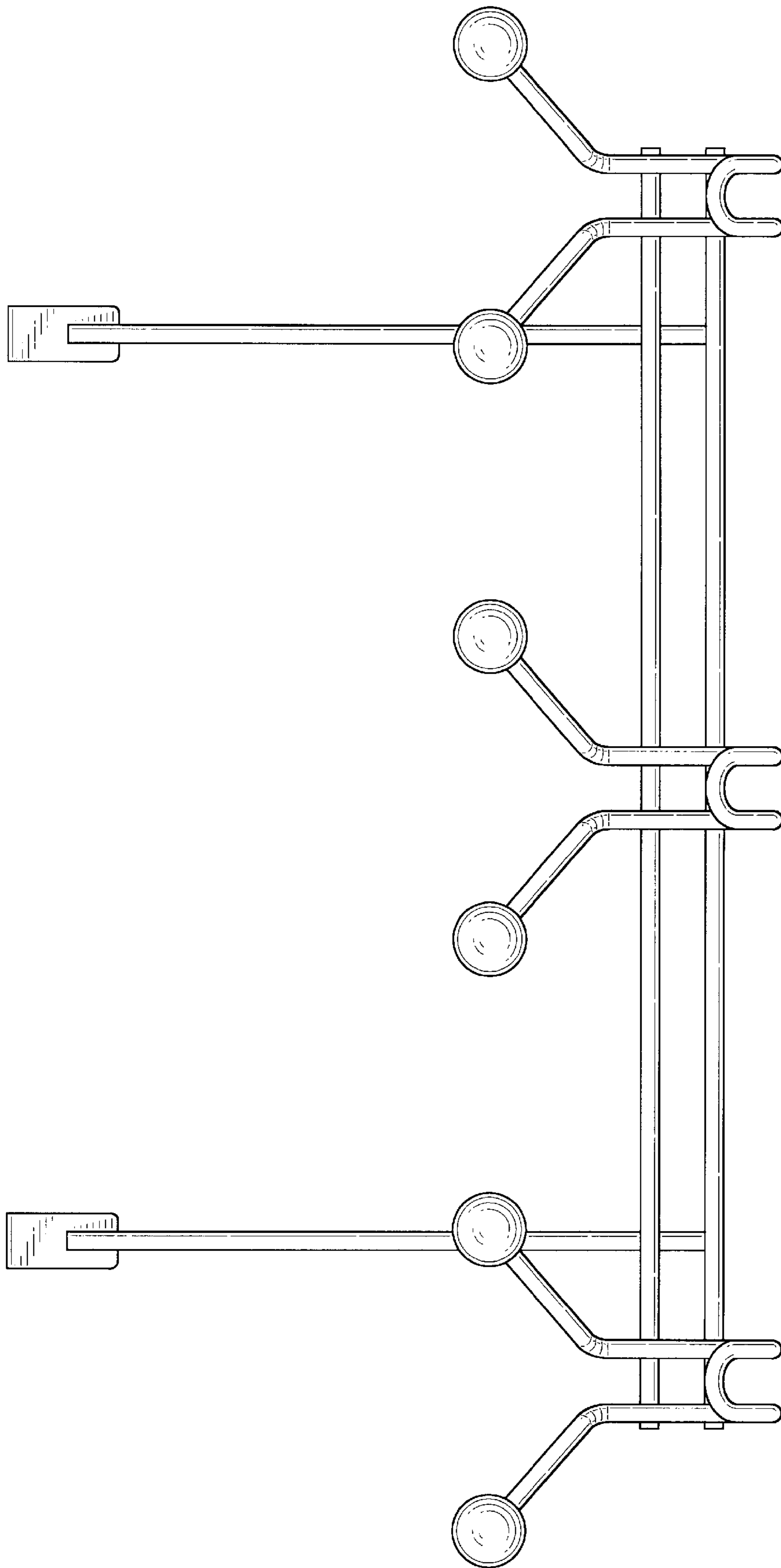


FIG-4

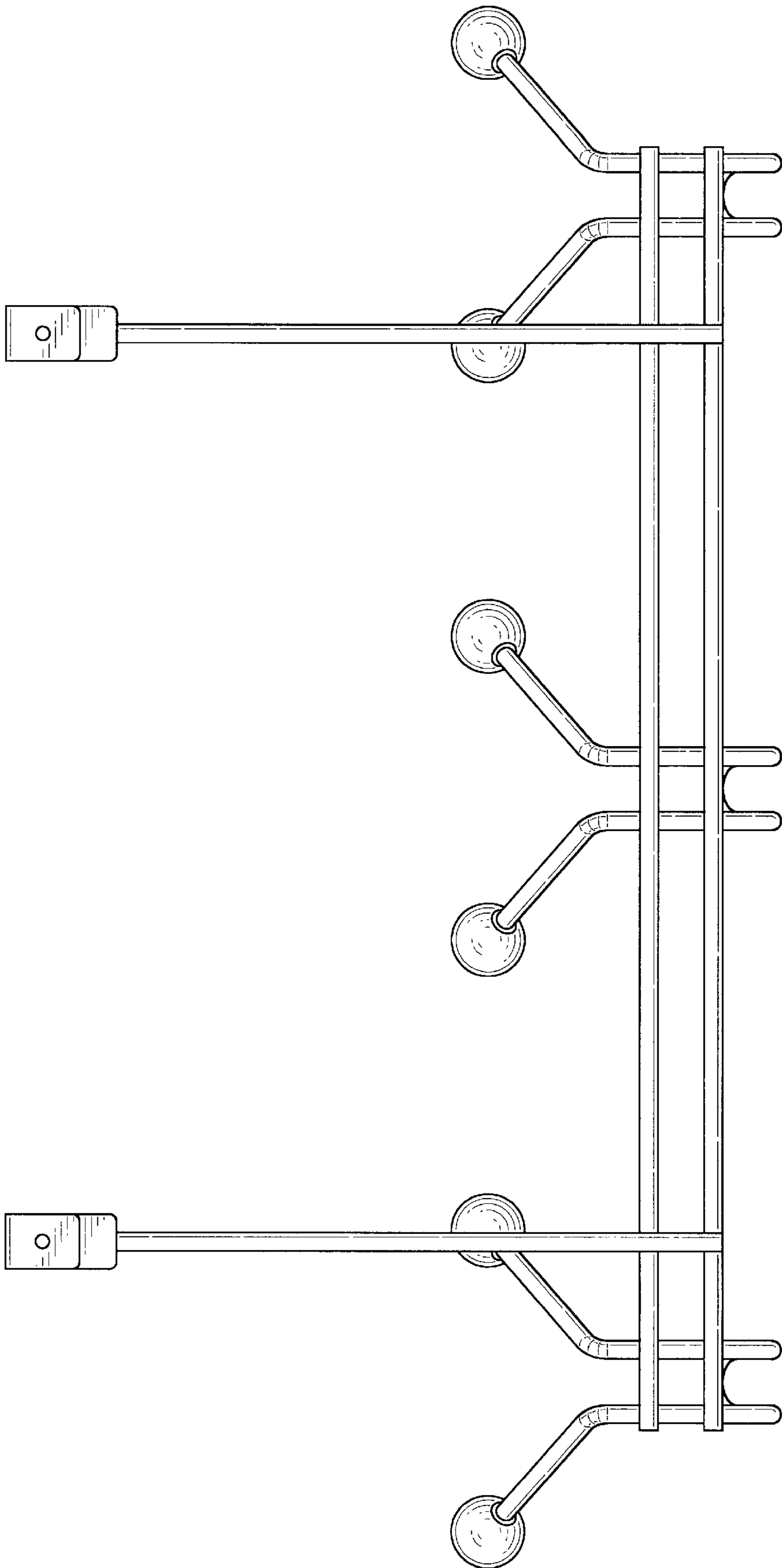


FIG-5

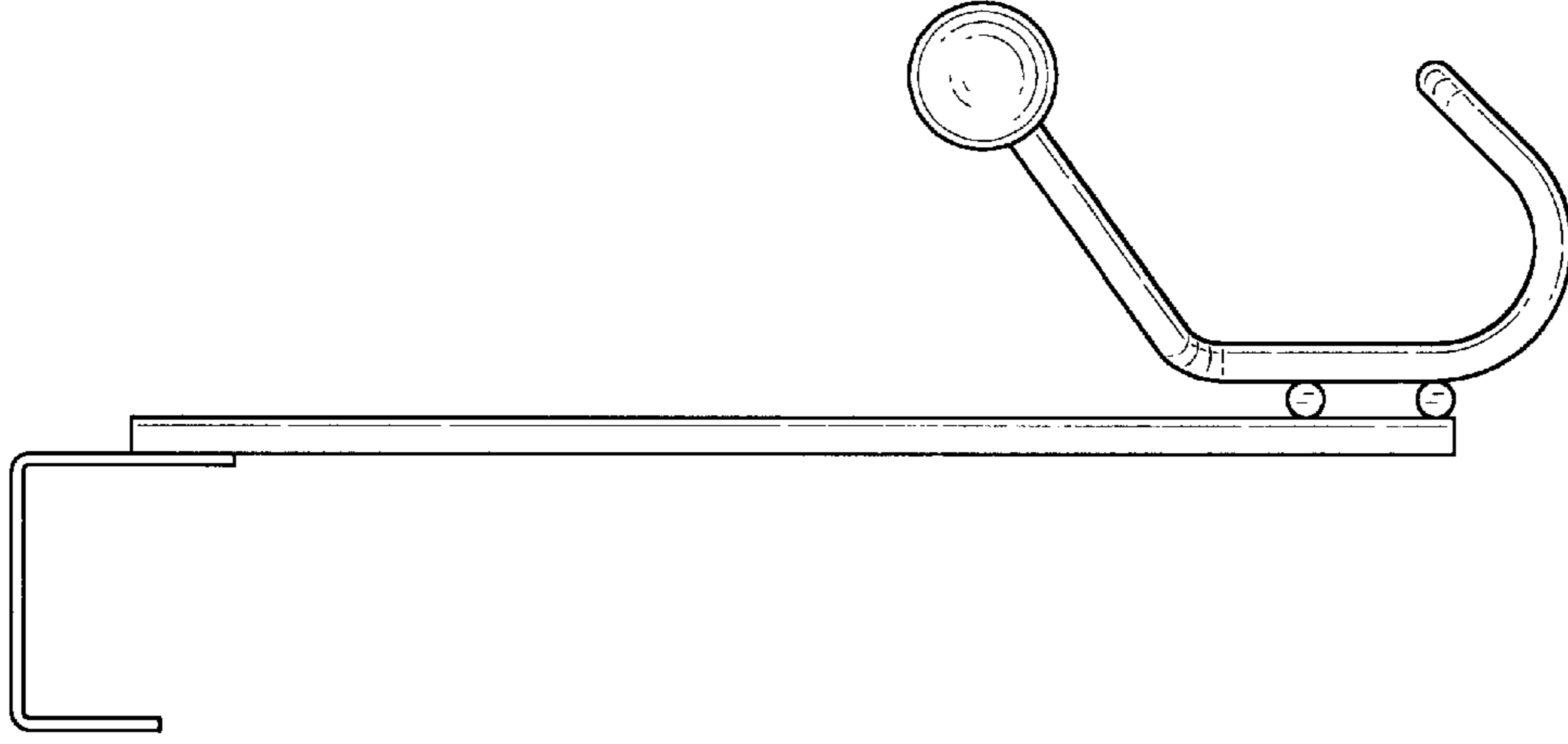


FIG-7

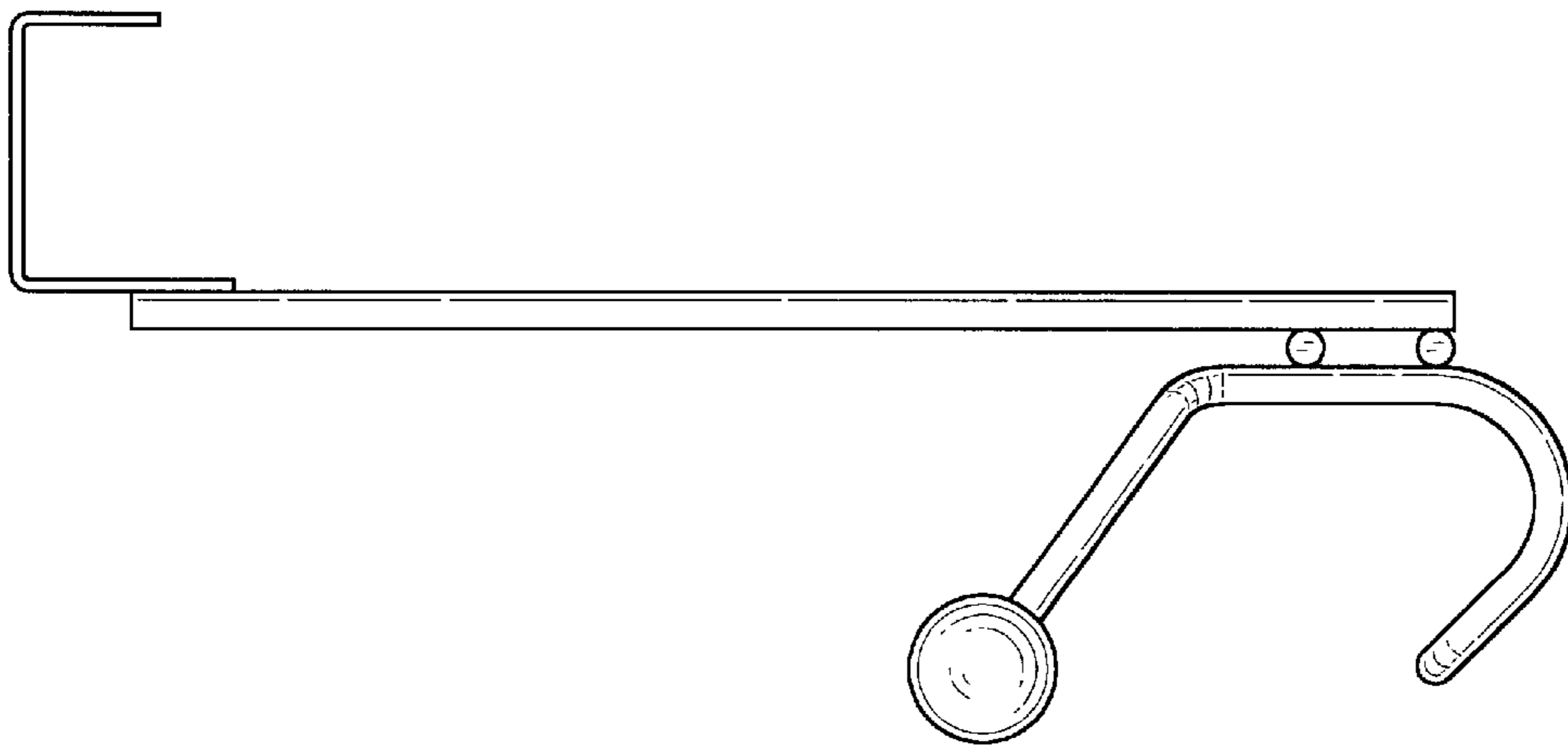


FIG-6