



US00D433315S

# United States Patent [19] Chen

[11] **Patent Number: Des. 433,315**

[45] **Date of Patent: \*\* Nov. 7, 2000**

[54] **KEY**

4,109,497 8/1978 Roberts ..... 70/403  
4,742,703 5/1988 DeWalch et al. .... 70/399

[76] Inventor: **Waterson Chen**, 8F, No. 428,  
Wu-Chuan-Nan Rd., Taichung City,  
Taiwan

*Primary Examiner*—Alan P. Douglas  
*Assistant Examiner*—Jennifer Rivard  
*Attorney, Agent, or Firm*—Rodman & Rodman

[\*\*] Term: **14 Years**

[57] **CLAIM**

[21] Appl. No.: **29/108,439**

The ornamental design for key, as shown and described.

[22] Filed: **Jul. 27, 1999**

**DESCRIPTION**

[51] **LOC (7) Cl.** ..... **08-07**

[52] **U.S. Cl.** ..... **D8/347**

[58] **Field of Search** ..... D8/347, 348; 70/393,  
70/395-399, 344, 345, 402-408, 278.3

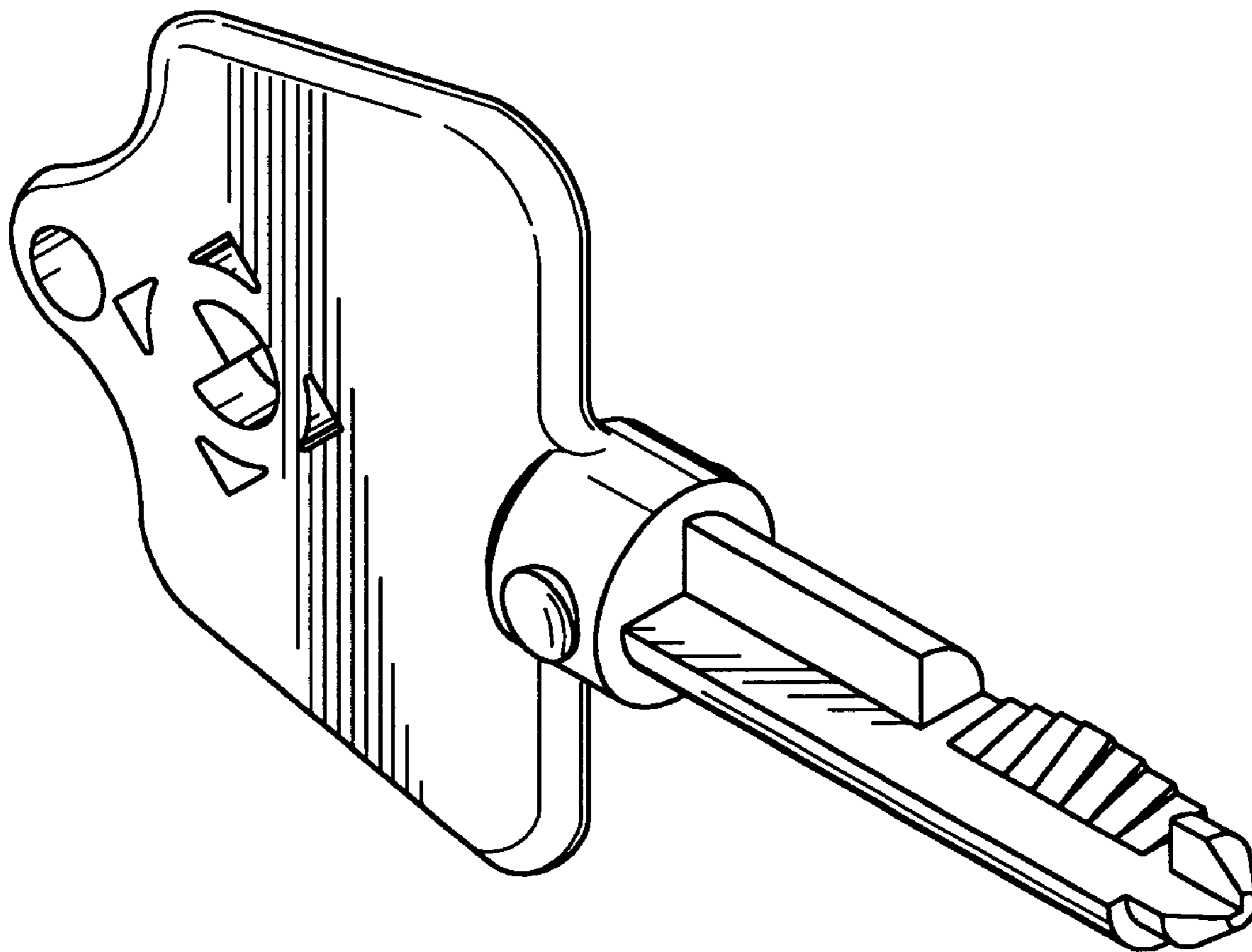
FIG. 1 is a perspective view of key showing my new design;  
FIG. 2 is a front elevational view thereof;  
FIG. 3 is a rear elevational view thereof;  
FIG. 4 is a left side elevational view thereof;  
FIG. 5 is a right side elevational view thereof;  
FIG. 6 is a top plan view thereof; and,  
FIG. 7 is a bottom plan view thereof.

[56] **References Cited**

**U.S. PATENT DOCUMENTS**

D. 286,854 11/1986 Fane et al. .... D8/347  
D. 328,019 7/1992 Beizer ..... D8/347 X

**1 Claim, 3 Drawing Sheets**



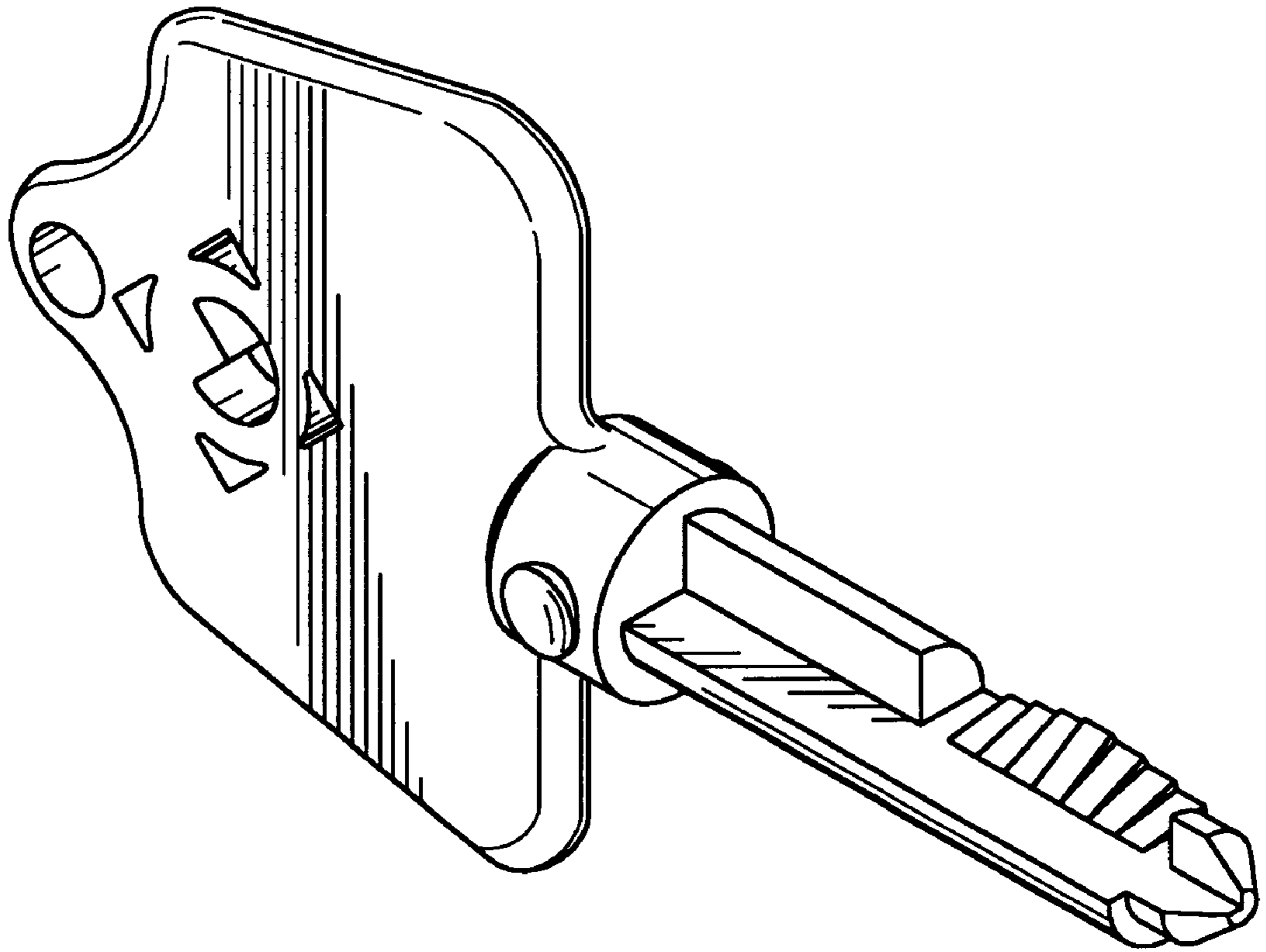


FIG. 1

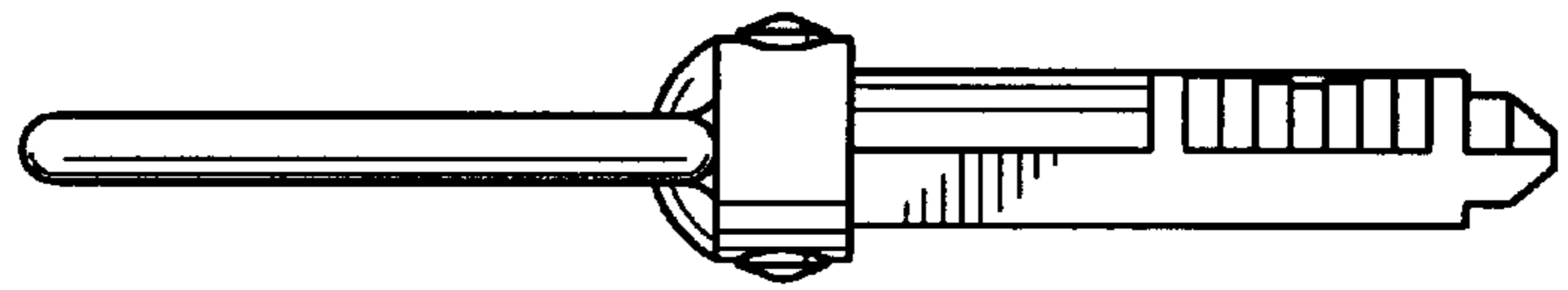


FIG. 6

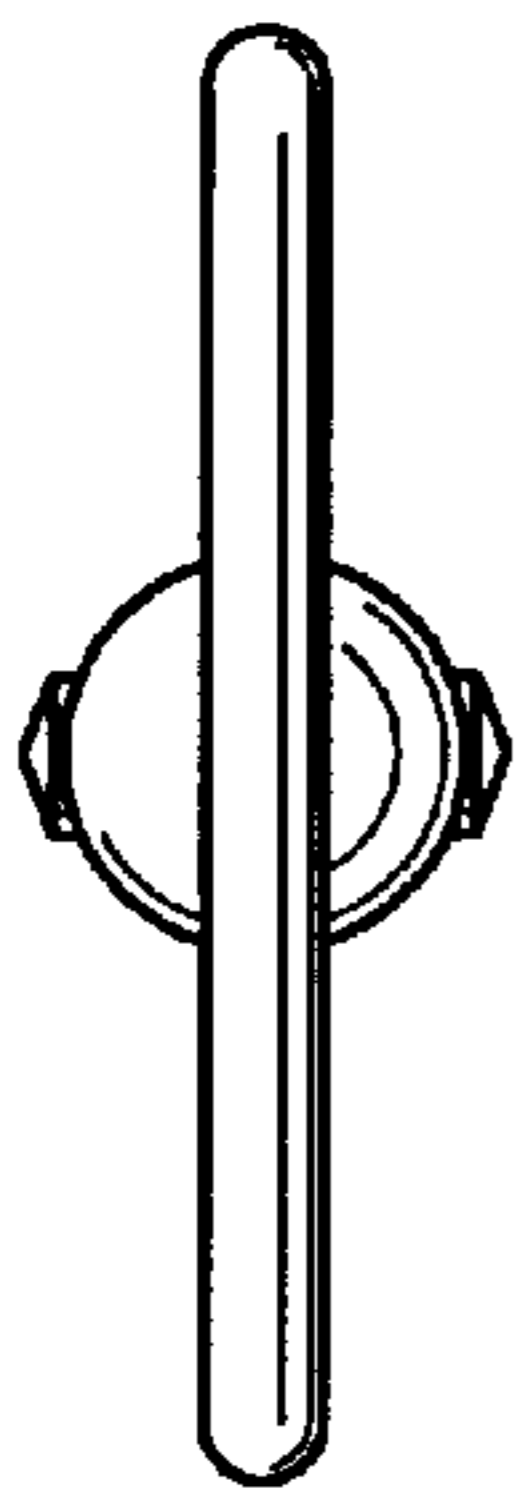


FIG. 4

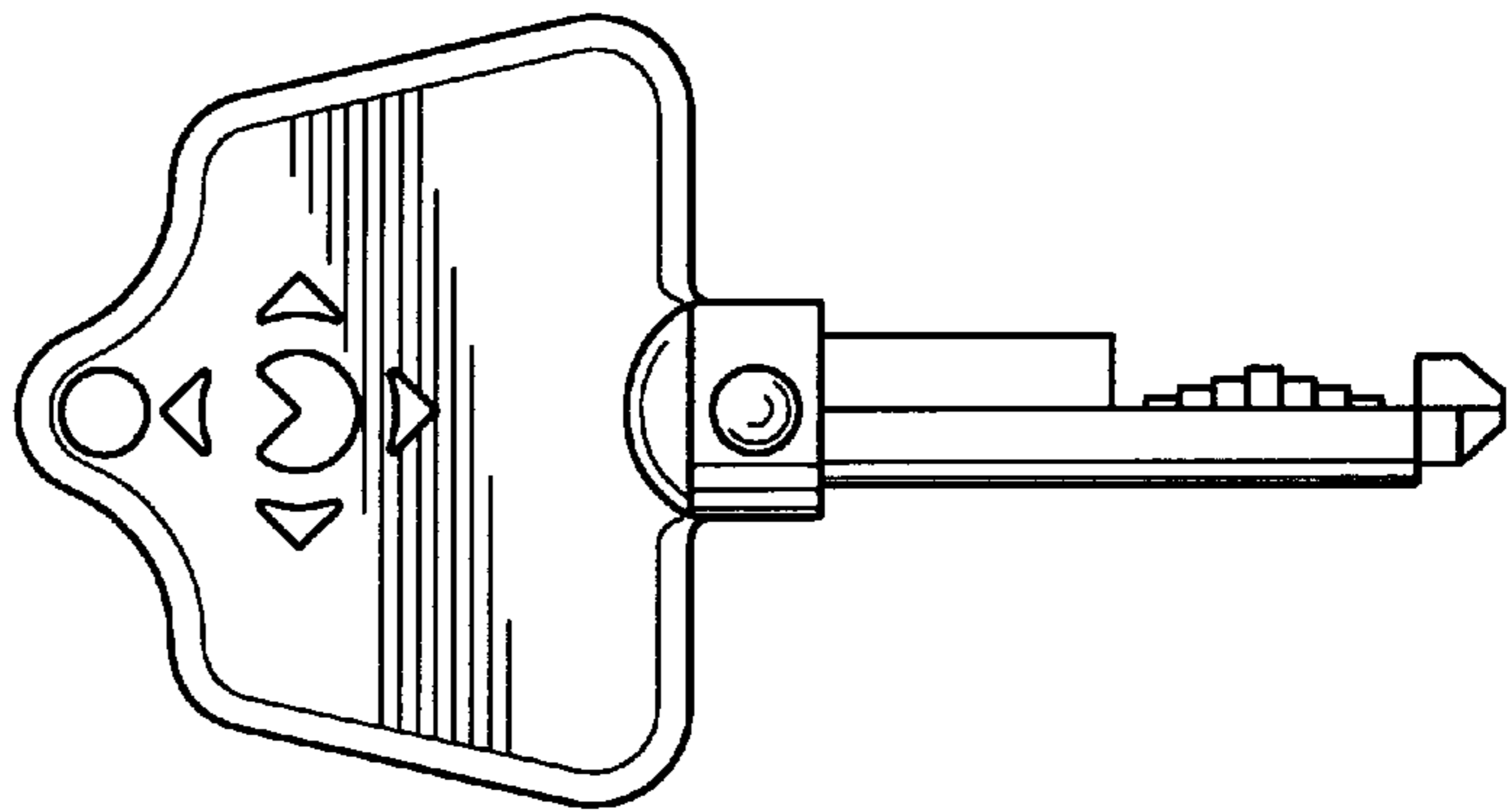


FIG. 2

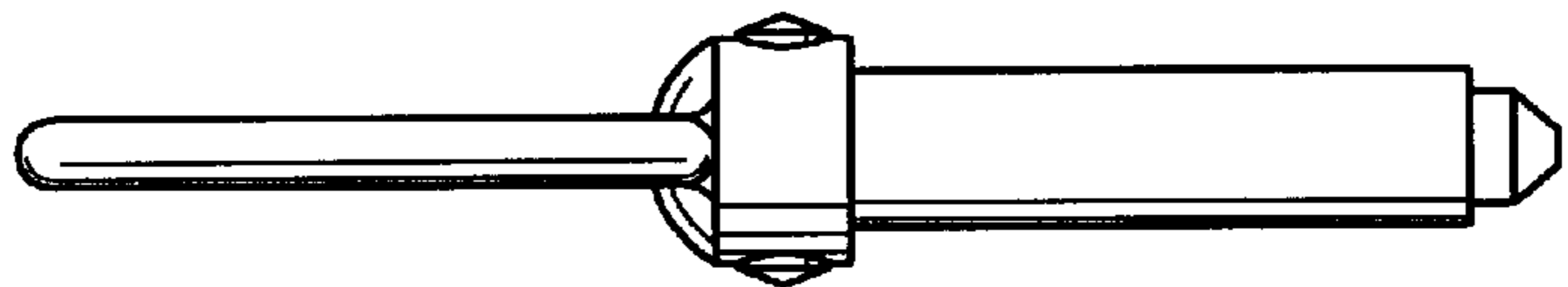


FIG. 7

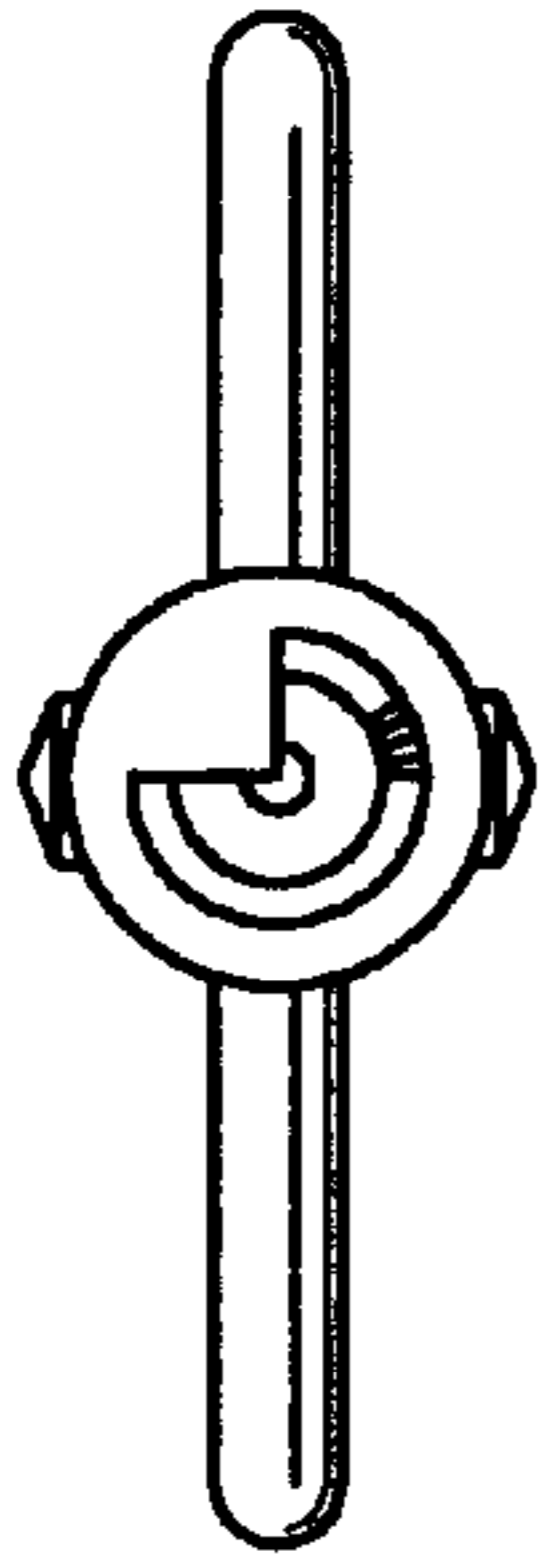


FIG. 5

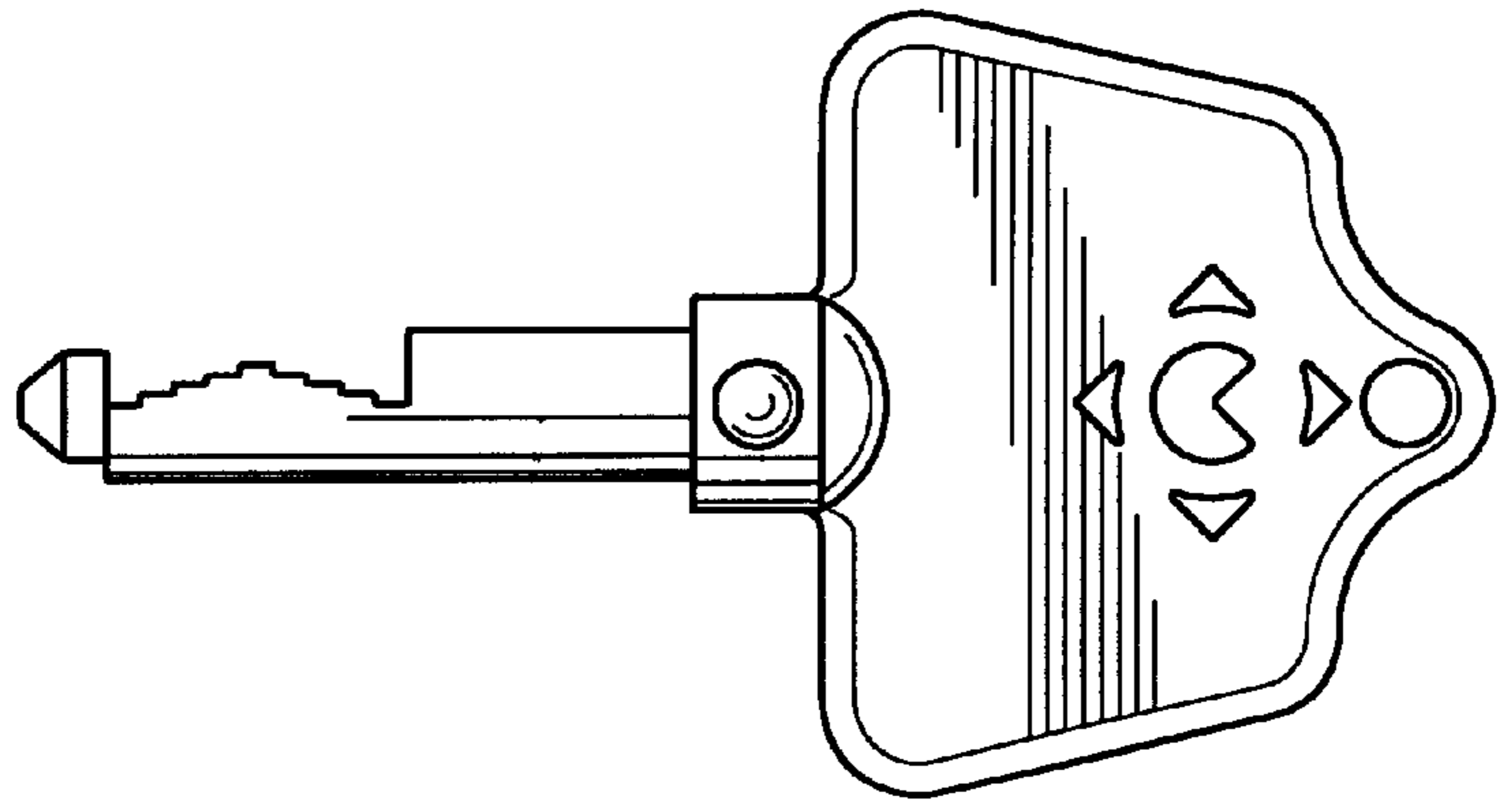


FIG. 3