



US00D433313S

United States Patent [19]

[11] Patent Number: Des. 433,313

Tsai

[45] Date of Patent: ** Nov. 7, 2000

[54] UNIVERSAL RETENTION MODULE

5,913,700 6/1999 Tobey et al. 439/637
6,017,246 1/2000 Hisazumi et al. 439/637

[76] Inventor: Tien Ching Tsai, No 28, Wu Chuan 8 Rd., Wu Ku Hsiang, Taipei Hsien, Taiwan

Primary Examiner—Alan P. Douglas
Assistant Examiner—Jennifer Rivard
Attorney, Agent, or Firm—Pro-Techtor International Services

[**] Term: 14 Years

[21] Appl. No.: 29/095,657

[57] CLAIM

[22] Filed: Oct. 27, 1998

The ornamental design for a universal retention module, as shown.

[51] LOC (7) Cl. 08-07

DESCRIPTION

[52] U.S. Cl. D8/341

[58] Field of Search D8/330, 331, 339, D8/342, 343, 341; 70/14; D13/154; 439/296, 299, 304, 260, 637, 160

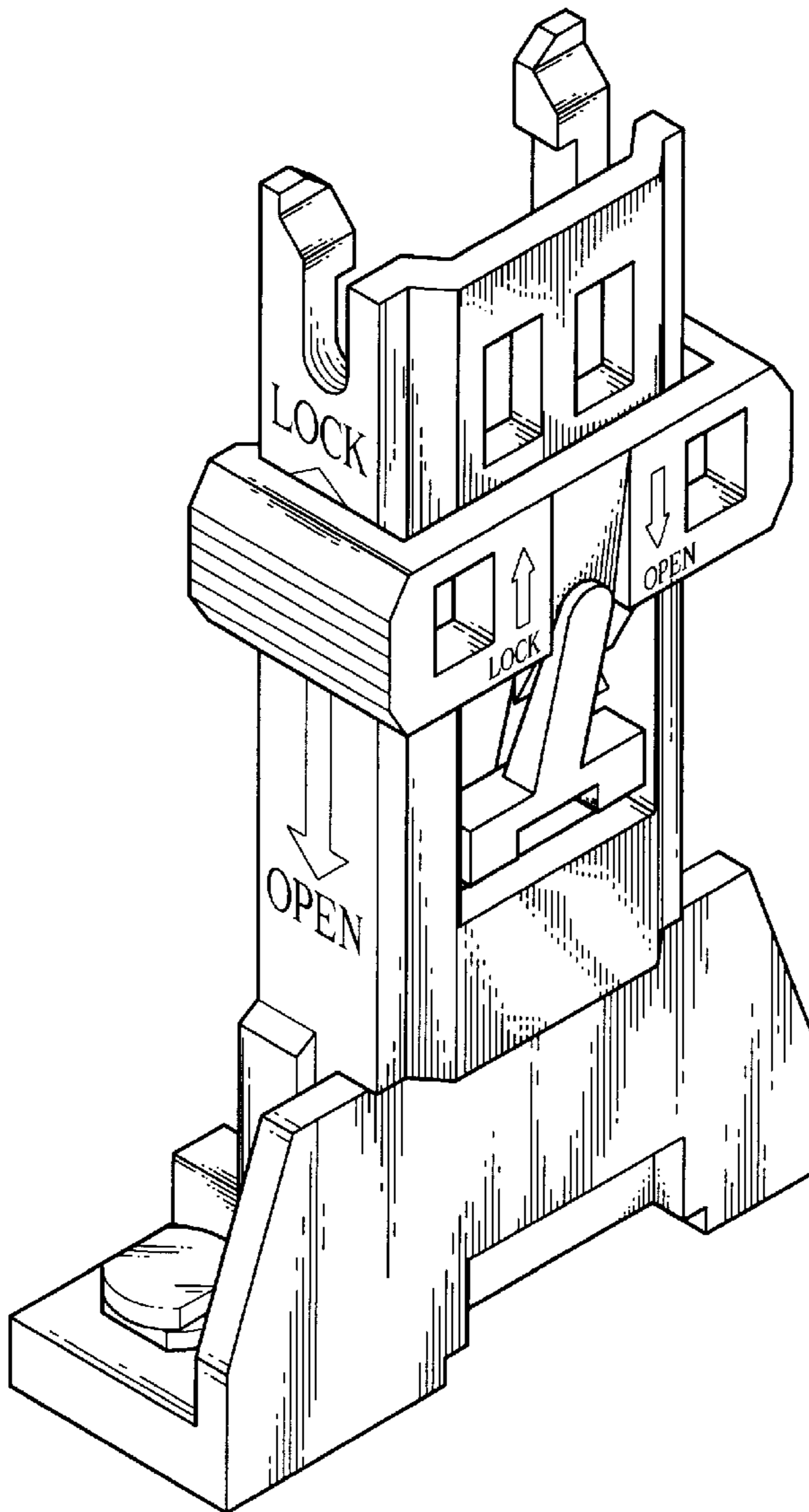
FIG. 1 is a perspective view of a universal retention module showing my new design;
FIG. 2 is a front perspective view thereof;
FIG. 3 is a rear perspective view thereof;
FIG. 4 is a left side elevation view thereof;
FIG. 5 is a right side elevation view thereof;
FIG. 6 is a top plan view thereof; and,
FIG. 7 is a bottom plan view thereof.

[56] References Cited

U.S. PATENT DOCUMENTS

4,349,237 9/1982 Cobaugh et al. 439/637 X
5,634,803 6/1997 Cheng et al. 439/160 X
5,730,611 3/1998 Cheng et al. 439/160

1 Claim, 4 Drawing Sheets



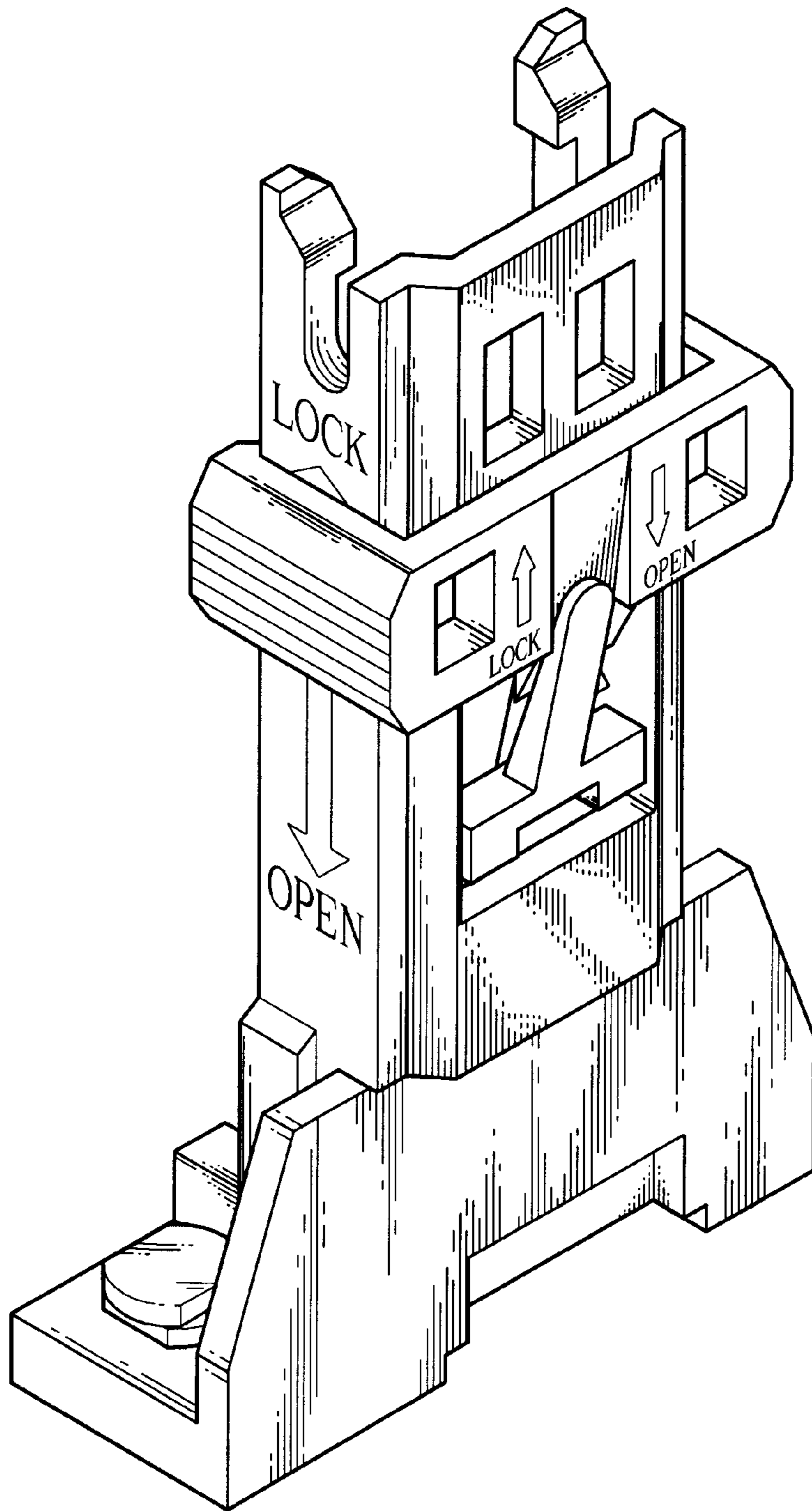


FIG. 1

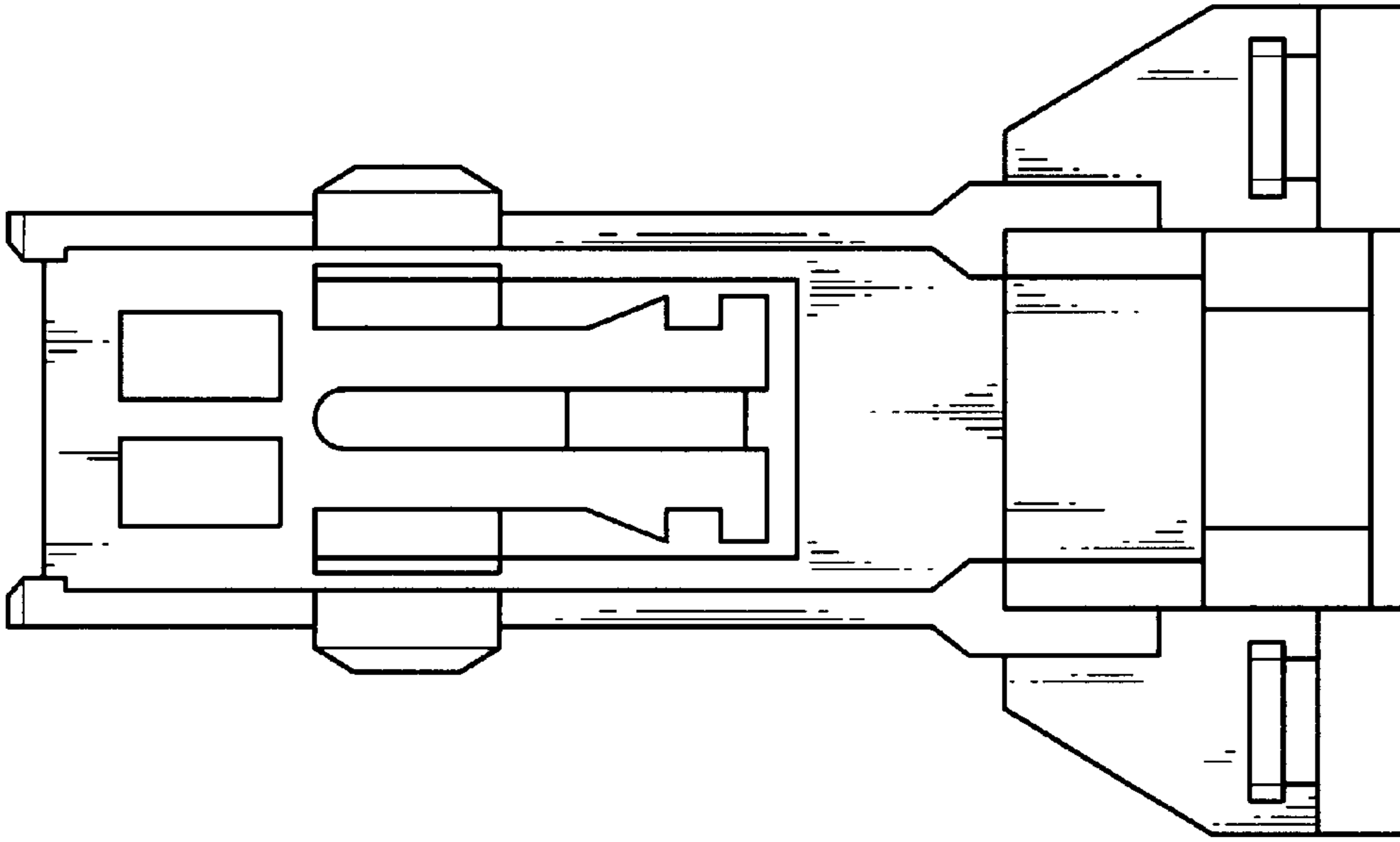


FIG. 3

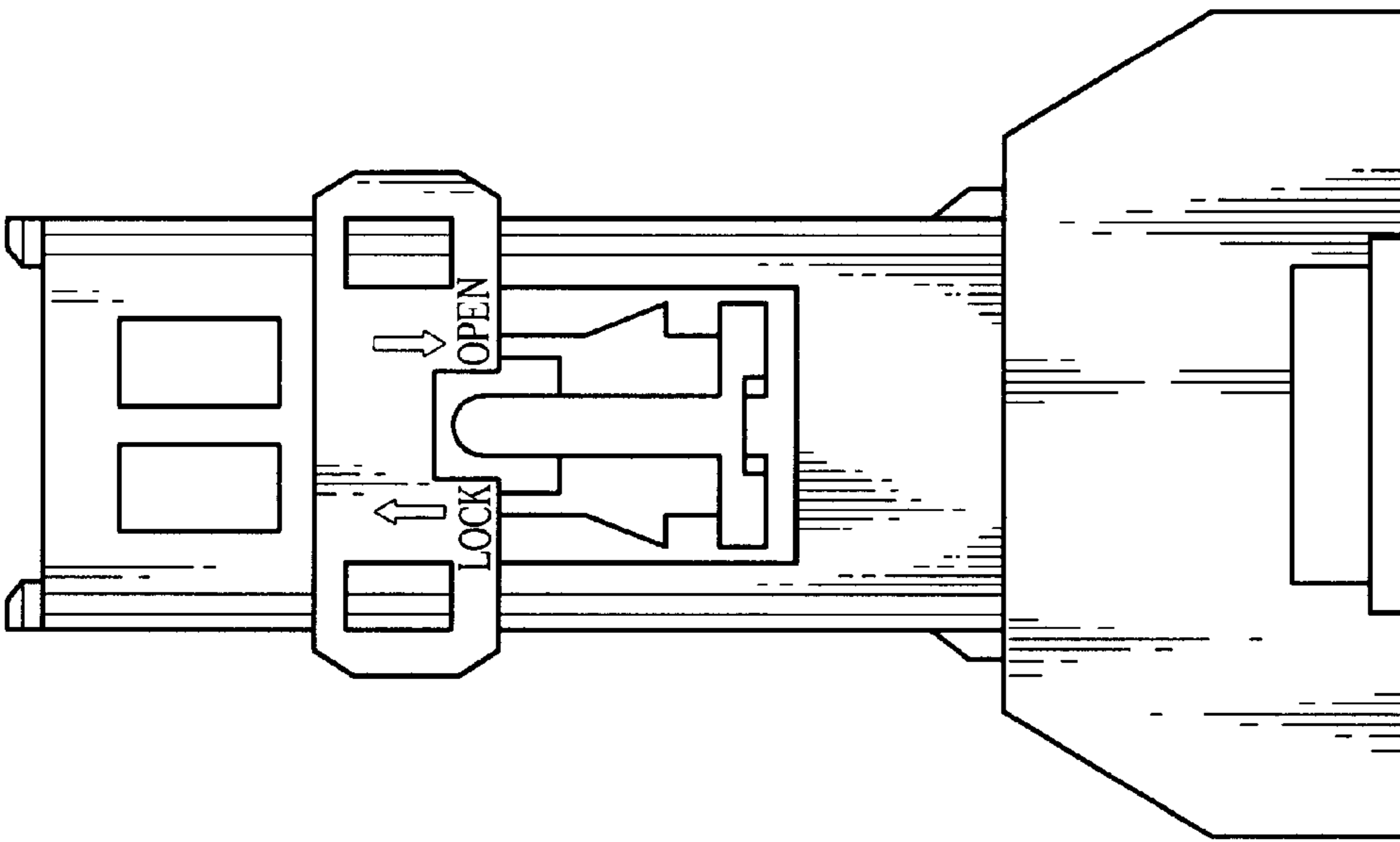


FIG. 2

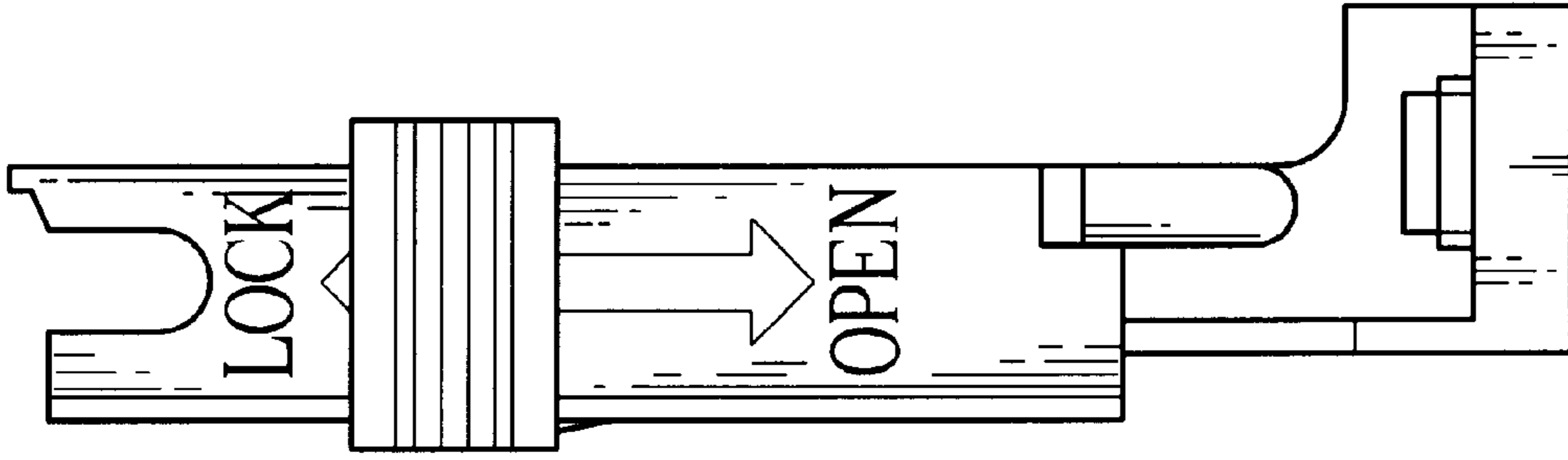


FIG. 4

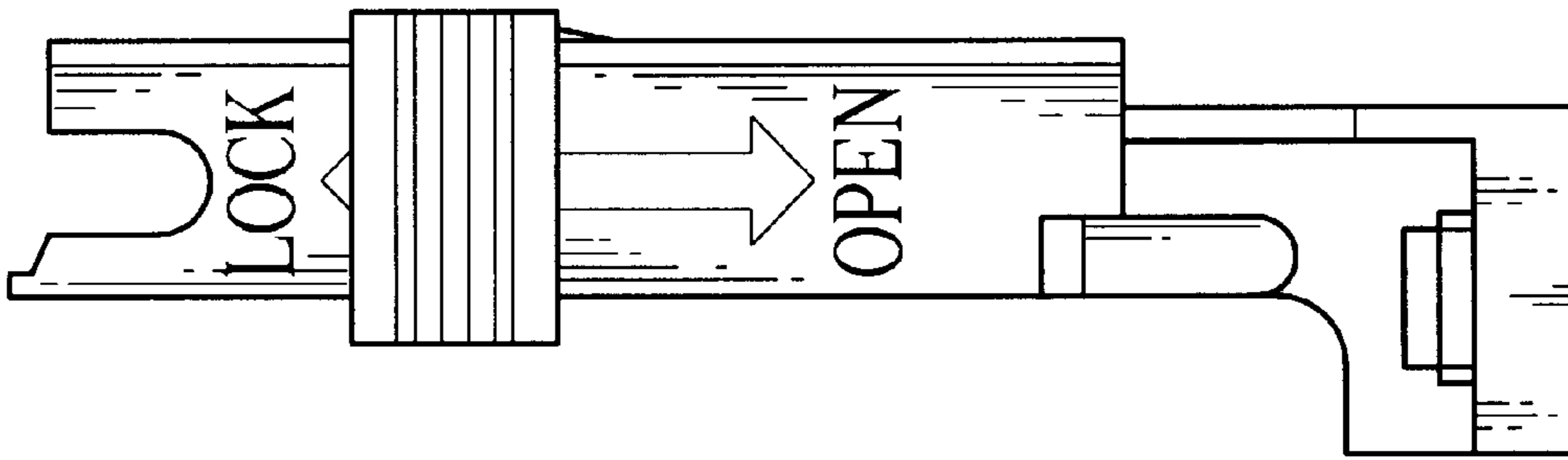


FIG. 5

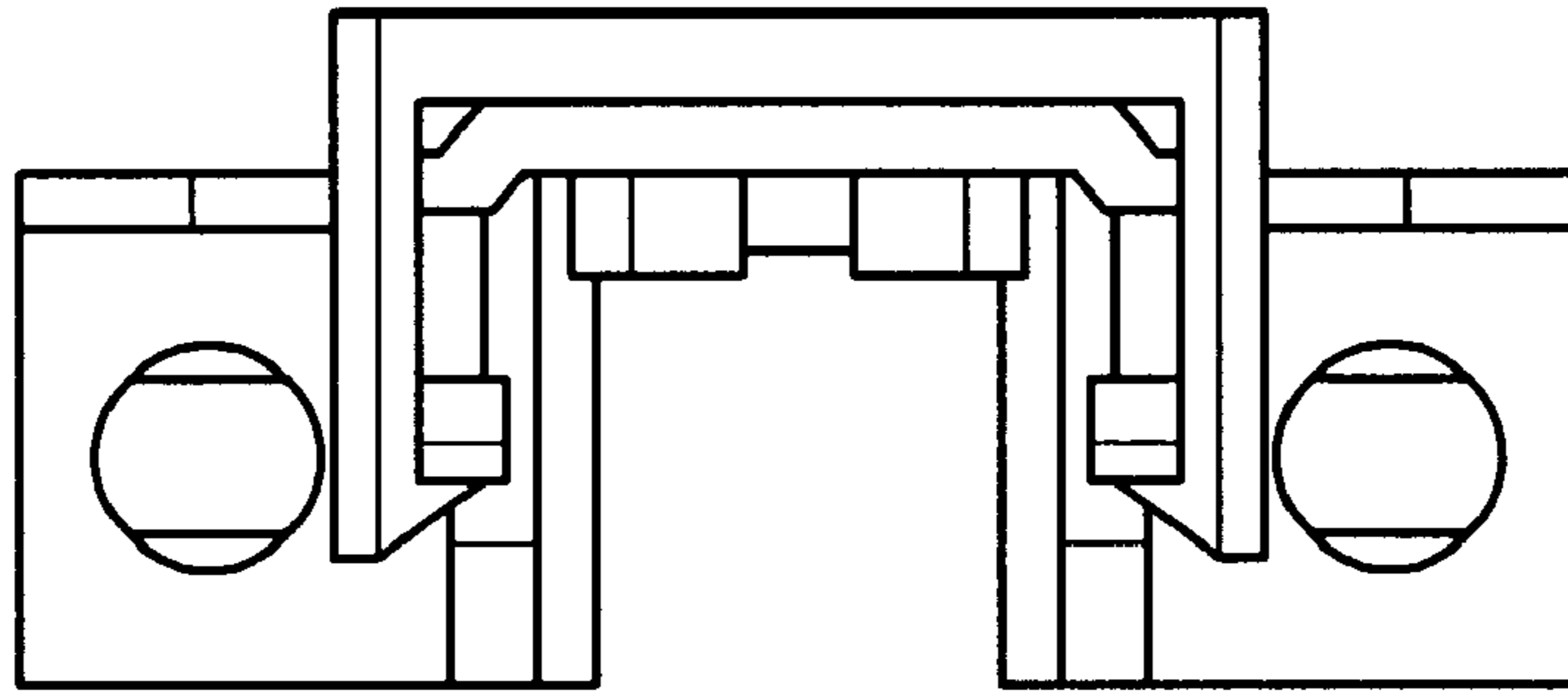


FIG. 6

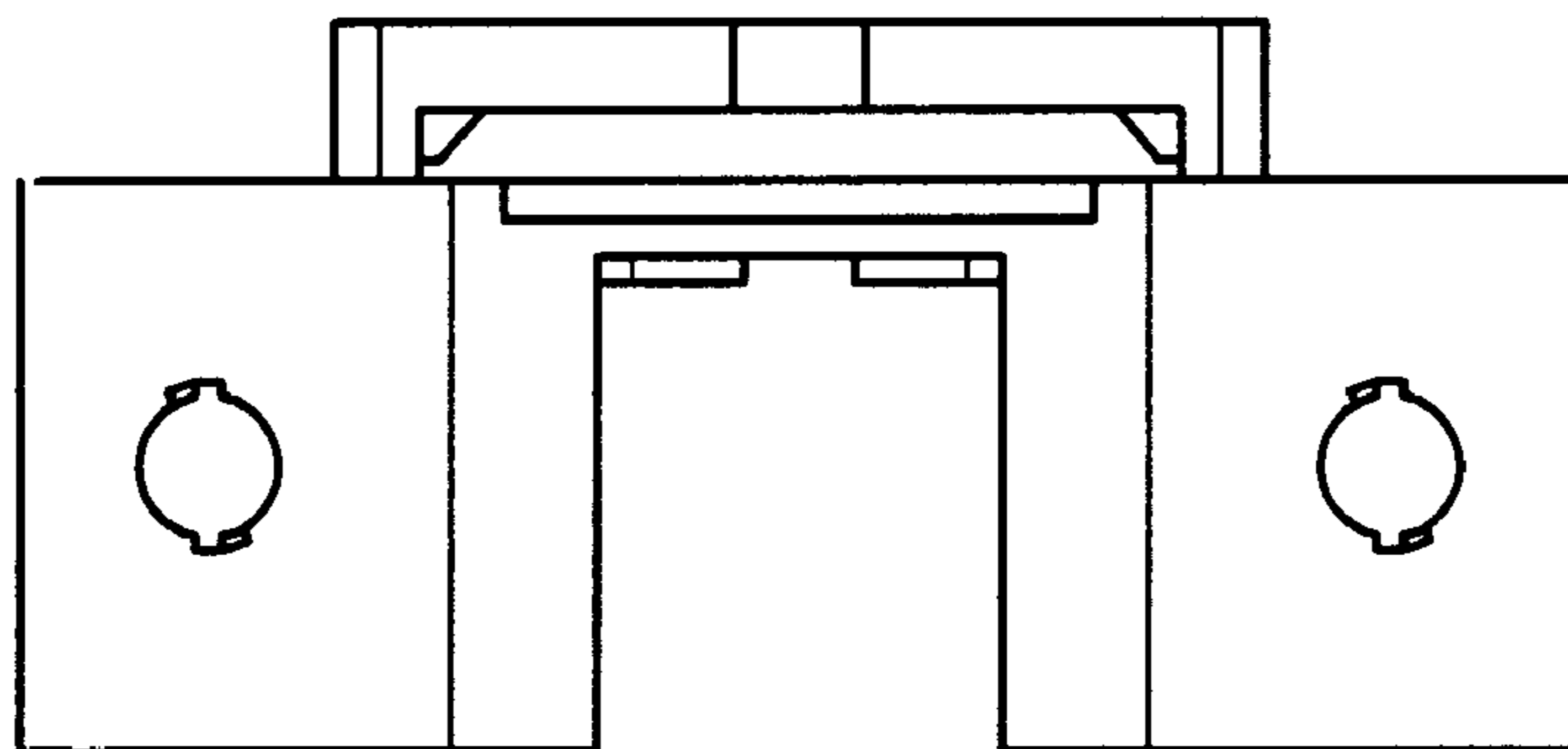


FIG. 7